

PSpice® User Guide

Product Version 17.2-2016
April 2016

© 2013 Cadence Design Systems, Inc. All rights reserved.

Portions © Apache Software Foundation, Sun Microsystems, Free Software Foundation, Inc., Regents of the University of California, Massachusetts Institute of Technology, University of Florida. Used by permission. Printed in the United States of America.

Cadence Design Systems, Inc. (Cadence), 2655 Seely Ave., San Jose, CA 95134, USA.

Product PSpice contains technology licensed from, and copyrighted by: Apache Software Foundation, 1901 Munsey Drive Forest Hill, MD 21050, USA © 2000-2005, Apache Software Foundation. Sun Microsystems, 4150 Network Circle, Santa Clara, CA 95054 USA © 1994-2007, Sun Microsystems, Inc. Free Software Foundation, 59 Temple Place, Suite 330, Boston, MA 02111-1307 USA © 1989, 1991, Free Software Foundation, Inc. Regents of the University of California, Sun Microsystems, Inc., Scriptics Corporation, © 2001, Regents of the University of California. Daniel Stenberg, © 1996 - 2006, Daniel Stenberg. UMFPACK © 2005, Timothy A. Davis, University of Florida, (davis@cise.ulf.edu). Ken Martin, Will Schroeder, Bill Lorensen © 1993-2002, Ken Martin, Will Schroeder, Bill Lorensen. Massachusetts Institute of Technology, 77 Massachusetts Avenue, Cambridge, Massachusetts, USA © 2003, the Board of Trustees of Massachusetts Institute of Technology. All rights reserved.

Trademarks: Trademarks and service marks of Cadence Design Systems, Inc. contained in this document are attributed to Cadence with the appropriate symbol. For queries regarding Cadence's trademarks, contact the corporate legal department at the address shown above or call 800.862.4522.

Open SystemC, Open SystemC Initiative, OSCI, SystemC, and SystemC Initiative are trademarks or registered trademarks of Open SystemC Initiative, Inc. in the United States and other countries and are used with permission.

All other trademarks are the property of their respective holders.

Restricted Permission: This publication is protected by copyright law and international treaties and contains trade secrets and proprietary information owned by Cadence. Unauthorized reproduction or distribution of this publication, or any portion of it, may result in civil and criminal penalties. Except as specified in this permission statement, this publication may not be copied, reproduced, modified, published, uploaded, posted, transmitted, or distributed in any way, without prior written permission from Cadence. Unless otherwise agreed to by Cadence in writing, this statement grants Cadence customers permission to print one (1) hard copy of this publication subject to the following conditions:

1. The publication may be used only in accordance with a written agreement between Cadence and its customer.
2. The publication may not be modified in any way.
3. Any authorized copy of the publication or portion thereof must include all original copyright, trademark, and other proprietary notices and this permission statement.
4. The information contained in this document cannot be used in the development of like products or software, whether for internal or external use, and shall not be used for the benefit of any other party, whether or not for consideration.

Disclaimer: Information in this publication is subject to change without notice and does not represent a commitment on the part of Cadence. Except as may be explicitly set forth in such agreement, Cadence does not make, and expressly disclaims, any representations or warranties as to the completeness, accuracy or usefulness of the information contained in this document. Cadence does not warrant that use of such information will not infringe any third party rights, nor does Cadence assume any liability for damages or costs of any kind that may result from use of such information.

Restricted Rights: Use, duplication, or disclosure by the Government is subject to restrictions as set forth in FAR52.227-14 and DFAR252.227-7013 et seq. or its successor.

Contents

<u>Before you begin</u>	21
<u>Welcome</u>	21
<u>How to use this guide</u>	22
<u>Symbols and conventions</u>	22
<u>Related documentation</u>	23
<u>What this user's guide covers</u>	26
<u>PSpice overview</u>	26
<u>Add-on options</u>	27
<u>PSpice Smoke Option</u>	27
<u>PSpice Advanced Optimizer Option</u>	27
<u>PSpice Advanced Analysis</u>	27
<u>SLPS</u>	28
<u>If you don't have the standard PSpice A/D package</u>	28
<u>Comparison of the different versions of PSpice</u>	28
<u>If you have PSpice Lite</u>	31
<u>Minimum hardware requirements for running PSpice:</u>	32
<u>PSpice Samples and Tutorials</u>	32
<u>Part one: Simulation primer</u>	33
<u>1</u>	
<u>Things you need to know</u>	35
<u>Chapter overview</u>	35
<u>What is PSpice?</u>	36
<u>Analyses you can run with PSpice</u>	40
<u>Basic analyses</u>	40
<u>Advanced multi-run analyses</u>	43
<u>Analyzing waveforms with PSpice</u>	45
<u>What is waveform analysis?</u>	45
<u>Using PSpice with other programs</u>	47
<u>Using design entry tools to prepare for simulation</u>	47

PSpice User Guide

<u>What is the PSpice Stimulus Editor?</u>	48
<u>What is the PSpice Model Editor?</u>	49
<u>Files needed for simulation</u>	49
<u>Files that design entry tool generates</u>	50
<u>Other files that you can configure for simulation</u>	53
<u>Files that PSpice generates</u>	55
<u>Directory structure for analog projects in Capture</u>	58
<u>How are files configured at the design level maintained in the directory structure for analog projects?</u>	59
<u>How are files configured at the profile level maintained in the new directory structure for analog projects?</u>	61
<u>What happens when I convert an analog project that uses a design from another project or from another location?</u>	63
<u>What should I do if the schematic for a converted analog project uses FILESTIMn parts from the SOURCE library?</u>	63
<u>Design Entry HDL libraries</u>	64
<u>Reference Libraries</u>	66
<u>Local libraries</u>	68
<u>PSpice model libraries</u>	69
<u>The cds.lib file</u>	69
<u>Encrypting PSpice Models</u>	71
<u>Using PSpiceEnc</u>	72
<u>Using Model Editor</u>	72
<u>2</u>	
<u>Simulation examples</u>	75
<u>Chapter overview</u>	75
<u>Example circuit creation</u>	76
<u>Using Capture</u>	76
<u>Using Design Entry HDL</u>	85
<u>Using Design Templates</u>	93
<u>Finding out more about setting up your design</u>	95
<u>Running PSpice</u>	95
<u>Performing a bias point analysis</u>	96
<u>Using the simulation output file</u>	98
<u>Finding out more about bias point calculations</u>	99

PSpice User Guide

<u>DC sweep analysis</u>	99
<u>Setting up and running a DC sweep analysis</u>	99
<u>Displaying DC analysis results</u>	101
<u>Finding out more about DC sweep analysis</u>	107
<u>Transient analysis</u>	108
<u>Finding out more about transient analysis</u>	115
<u>AC sweep analysis</u>	116
<u>Setting up and running an AC sweep analysis</u>	116
<u>AC sweep analysis results</u>	120
<u>Finding out more about AC sweep and noise analysis</u>	122
<u>Parametric analysis</u>	123
<u>Setting up and running the parametric analysis</u>	126
<u>Analyzing waveform families</u>	130
<u>Finding out more about parametric analysis</u>	133
<u>Performance analysis</u>	134
<u>Finding out more about performance analysis</u>	136

<u>Part two: Design entry</u>	138
-------------------------------------	-----

3

<u>Preparing a design for simulation</u>	139
--	-----

<u>Chapter overview</u>	139
<u>Checklist for simulation setup</u>	140
<u>Typical simulation setup steps</u>	140
<u>Advanced design entry and simulation setup steps</u>	141
<u>When netlisting fails or the simulation does not start</u>	142
<u>Using parts that you can simulate</u>	143
<u>Vendor-supplied parts</u>	144
<u>Passive parts</u>	152
<u>Breakout parts</u>	153
<u>Behavioral parts</u>	154
<u>Simulating asymmetric parts in PSpice</u>	155
<u>Simulating homogenous parts in PSpice</u>	156
<u>Specifying values for part properties</u>	157
<u>Using global parameters and expressions for values</u>	158

PSpice User Guide

<u>Global parameters</u>	158
<u>Expressions</u>	162
<u>Defining power supplies</u>	170
<u>For the analog portion of your circuit</u>	170
<u>For A/D interfaces in mixed-signal circuits</u>	170
<u>Defining stimuli</u>	172
<u>Analog stimuli</u>	172
<u>Digital stimuli</u>	176
<u>Things to watch for</u>	178
<u>Unmodeled parts</u>	178
<u>Unconfigured model, stimulus, or include files</u>	182
<u>Unmodeled pins</u>	184
<u>Missing ground</u>	184
<u>Missing DC path to ground</u>	185

4

<u>Creating and editing models</u>	187
<u>Chapter overview</u>	187
<u>What are models?</u>	189
<u>How are models organized?</u>	190
<u>Model libraries</u>	190
<u>Model library configuration</u>	191
<u>Global vs. design vs. profile models and libraries</u>	191
<u>Nested model libraries</u>	192
<u>PSpice-provided models</u>	193
<u>Model library data</u>	193
<u>Device characteristic curves-based models vs. Template-based models</u>	195
<u>Tools to create and edit models</u>	197
<u>Ways to create and edit models</u>	198
<u>Using the Model Editor</u>	200
<u>Ways to use the Model Editor</u>	201
<u>Running the Model Editor alone</u>	202
<u>Starting the Model Editor</u>	203
<u>Creating models using the Model Editor</u>	203
<u>Creating models based on device characteristic curves</u>	203

PSpice User Guide

<u>Creating models based on PSpice templates</u>	209
<u>Importing an existing model</u>	212
<u>Enabling and disabling automatic part creation</u>	213
<u>Running the Model Editor from the schematic editor</u>	215
<u>Model creation examples</u>	218
<u>Example: Creating a PSpice model based on device characteristic curves</u>	219
<u>Example: Creating template-based PSpice model</u>	228
<u>Editing model text</u>	234
<u>Example: editing a Q2N2222 instance model</u>	236
<u>Using the Create Subcircuit Format Netlist command (Capture only)</u>	237
<u>Changing the model reference to an existing model definition</u>	239
<u>Reusing instance models</u>	240
<u>Reusing instance models in the same schematic</u>	241
<u>Making instance models available to all designs</u>	241
<u>Configuring model libraries</u>	243
<u>The Configuration Files tab</u>	244
<u>How PSpice uses model libraries</u>	245
<u>Adding model libraries to the configuration</u>	248
<u>Changing the model library scope from profile to design, profile to global, design to global and vice versa</u>	249
<u>Changing model library search order</u>	250
<u>Changing the library search path</u>	252
<u>Handling smoke information using the Model Editor</u>	254
<u>Adding smoke information to PSpice models</u>	254
<u>Creating template-based PSpice models with smoke information</u>	256
<u>Using the Model Editor to edit smoke information</u>	256
<u>Examples: Smoke</u>	257
<u>Adding smoke information to the D1 diode model</u>	257
<u>Adding smoke information to the OPA_LOCAL operational amplifier model</u>	259
<u>Smoke parameters</u>	260
<u>Diode</u>	261
<u>Bipolar Junction Transistors</u>	262
<u>Magnetic Core</u>	264
<u>Ins Gate Bipolar Transistor (IGBT)</u>	264
<u>Junction FET</u>	266
<u>Operational Amplifier</u>	268

PSpice User Guide

<u>MOSFET</u>	270
<u>Voltage Regulator</u>	271
<u>Darlington Transistor</u>	273

5

<u>Creating parts for models</u>	275
<u>Chapter overview</u>	275
<u>What's different about parts used for simulation?</u>	276
<u>Ways to create parts for models</u>	277
<u>Preparing your models for part creation</u>	279
<u>Starting the Model Editor</u>	280
<u>Using the Model Editor to create parts</u>	281
<u>Batch mode of part creation</u>	281
<u>Interactive mode of part creation</u>	281
<u>Creating Design Entry Tool parts for all models in a library</u>	282
<u>Using batch mode</u>	282
<u>Using interactive mode</u>	284
<u>Setting up automatic part creation</u>	289
<u>Example</u>	290
<u>Creating parts in the batch mode</u>	290
<u>Creating parts using interactive mode</u>	296
<u>Basing new parts on a custom set of parts</u>	300
<u>Editing part graphics (Capture only)</u>	303
<u>How Capture places parts</u>	303
<u>Defining grid spacing</u>	304
<u>Attaching models to parts</u>	306
<u>MODEL</u>	306
<u>Defining part properties needed for simulation</u>	308
<u>PSPICETEMPLATE</u>	310
<u>IO_LEVEL</u>	319
<u>MNTYMXDLY</u>	320
<u>PSPICEDEFAULTNET</u>	321

6

Analog behavioral modeling 323

 Chapter overview 323

 Overview of analog behavioral modeling 324

 The ABM part library file 325

 Placing and specifying ABM parts 326

 Net names and device names in ABM expressions 326

 Forcing the use of a global definition 327

 ABM part templates 328

 Control system parts 329

 Basic components 332

 Limiters 333

 Chebyshev filters 334

 Integrator and differentiator 338

 Table look-up parts 339

 Laplace transform part 344

 Math functions 348

 ABM expression parts 349

 An instantaneous device example: modeling a triode 353

 PSpice-equivalent parts 356

 Implementation of PSpice-equivalent parts 357

 Modeling mathematical or instantaneous relationships 358

 Lookup tables (ETABLE and GTABLE) 362

 Frequency-domain device models 364

 Laplace transforms (LAPLACE) 364

 Frequency response tables (EFREQ and GFREQ) 366

 Cautions and recommendations for simulation and analysis 369

 Instantaneous device modeling 369

 Frequency-domain parts 370

 Laplace transforms 370

 Trading off computer resources for accuracy 374

 Basic controlled sources 375

 Creating custom ABM parts 375

7

<u>Digital device modeling</u>	377
<u>Chapter overview</u>	377
<u>Introduction</u>	378
<u>Functional behavior</u>	379
<u>Timing characteristics</u>	388
<u>Timing model</u>	388
<u>Propagation delay calculation</u>	391
<u>Inertial and transport delay</u>	391
<u>Input/Output characteristics</u>	394
<u>Input/Output model</u>	394
<u>Defining Output Strengths</u>	397
<u>Charge storage nets</u>	400
<u>Creating your own interface subcircuits for additional technologies</u>	401
<u>Creating a digital model using the PINDLY and LOGICEXP primitives</u>	405
<u>Digital primitives</u>	406
<u>Logic expression (LOGICEXP primitive)</u>	406
<u>Pin-to-pin delay (PINDLY primitive)</u>	408
<u>BOOLEAN</u>	409
<u>PINDLY</u>	410
<u>Constraint checker (CONSTRAINT primitive)</u>	411
<u>Setup Hold</u>	411
<u>Width</u>	412
<u>Freq</u>	412
<u>74160 example</u>	413

Part three: Setting up and running analyses

8

<u>Setting up analyses and starting simulation</u>	419
<u>Chapter overview</u>	419
<u>Analysis types</u>	420
<u>Setting up analyses</u>	421

PSpice User Guide

<u>Order for standard analyses</u>	423
<u>Output variables</u>	424
<u>Setting AutoConvergence</u>	431
<u>Using Advanced Analog Options</u>	434
<u>Performance package</u>	435
<u>Starting a simulation</u>	437
<u>Creating a simulation netlist</u>	437
<u>Starting a simulation from a Design Entry Tool</u>	450
<u>Starting a simulation outside of Design Entry Tool</u>	450
<u>Setting up batch simulations</u>	451
<u>The PSpice simulation window</u>	452
<u>Interacting with a simulation</u>	456
<u>Extending a transient analysis</u>	457
<u>Interrupting a simulation</u>	460
<u>Scheduling changes to runtime parameters</u>	461
<u>Setting Autoconvergence from the Runtime Settings Dialog Box</u>	463
<u>Using the Simulation Manager</u>	465
<u>Overview of the Simulation Manager</u>	465
<u>Setting up multiple simulations</u>	469
<u>Starting, stopping, and pausing simulations</u>	470
<u>Attaching PSpice to a simulation</u>	471
<u>Setting options in the Simulation Manager</u>	471
<u>9</u>	
<u>DC analyses</u>	473
<u>Chapter overview</u>	473
<u>DC Sweep</u>	474
<u>Minimum requirements to run a DC sweep analysis</u>	474
<u>Overview of DC sweep</u>	476
<u>Setting up a DC stimulus</u>	479
<u>Nested DC sweeps</u>	480
<u>Curve families for DC sweeps</u>	482
<u>Bias point</u>	485
<u>Minimum requirements to run a bias point analysis</u>	485
<u>Overview of bias point</u>	485

PSpice User Guide

<u>Small-signal DC transfer</u>	487
<u>Minimum requirements to run a small-signal DC transfer analysis</u>	487
<u>Overview of small-signal DC transfer</u>	488
<u>DC sensitivity</u>	490
<u>Minimum requirements to run a DC sensitivity analysis</u>	490
<u>Overview of DC sensitivity</u>	491

10

<u>AC analyses</u>	493
<u>Chapter overview</u>	493
<u>AC sweep analysis</u>	494
<u>Setting up and running an AC sweep</u>	494
<u>What is AC sweep?</u>	494
<u>Setting up an AC stimulus</u>	495
<u>Setting up an AC analysis</u>	498
<u>AC sweep setup in example.opj</u>	500
<u>How PSpice treats nonlinear devices</u>	502
<u>Noise analysis</u>	505
<u>Setting up and running a noise analysis</u>	505
<u>What is noise analysis?</u>	506
<u>Setting up a noise analysis</u>	507
<u>Analyzing Noise in the Probe window</u>	509

11

<u>Parametric and temperature analysis</u>	515
<u>Chapter overview</u>	515
<u>Parametric analysis</u>	516
<u>Minimum requirements to run a parametric analysis</u>	516
<u>Overview of parametric analysis</u>	517
<u>RLC filter example</u>	518
<u>Example: frequency response vs. arbitrary parameter</u>	523
<u>Temperature analysis</u>	526
<u>Minimum requirements to run a temperature analysis</u>	526
<u>Overview of temperature analysis</u>	527

12

<u>Transient analysis</u>	531
<u>Chapter overview</u>	531
<u>Overview of transient analysis</u>	532
<u>Minimum requirements to run a transient analysis</u>	532
<u>Defining a time-based stimulus</u>	534
<u>Overview of stimulus generation</u>	534
<u>Using CheckPoints</u>	536
<u>Specifying CheckPoints</u>	536
<u>Restarting Simulation from a Saved CheckPoint</u>	540
<u>The Stimulus Editor utility</u>	542
<u>Stimulus files</u>	543
<u>Configuring stimulus files</u>	544
<u>Starting the Stimulus Editor</u>	545
<u>Defining stimuli</u>	546
<u>Creating new stimulus symbols</u>	550
<u>Editing a stimulus</u>	551
<u>Deleting and removing traces</u>	552
<u>Manual stimulus configuration</u>	552
<u>Finding out more about the Stimulus Editor</u>	554
<u>Transient (time) response</u>	554
<u>Internal time steps in transient analyses</u>	558
<u>Switching circuits in transient analyses</u>	559
<u>Plotting hysteresis curves</u>	560
<u>Fourier components</u>	562

13

<u>Monte Carlo and sensitivity (worst-case) analyses</u>	565
<u>Chapter overview</u>	565
<u>Statistical analyses</u>	566
<u>Overview of statistical analyses</u>	566
<u>Output control for statistical analyses</u>	567
<u>Model parameter values reports</u>	567
<u>Monte Carlo history support</u>	568

PSpice User Guide

<u>Waveform reports</u>	574
<u>Collating functions</u>	575
<u>Temperature considerations in statistical analyses</u>	576
<u>Monte Carlo analysis</u>	578
<u>Example: Monte Carlo analysis of a pressure sensor</u>	585
<u>Monte Carlo Histograms</u>	594
<u>Worst-case analysis</u>	602
<u>Overview of worst-case analysis</u>	602
<u>Worst-case analysis example</u>	605
<u>Tips and other useful information</u>	610

14

<u>Digital simulation</u>	615
<u>Chapter overview</u>	615
<u>What is digital simulation?</u>	616
<u>Steps for simulating digital circuits</u>	616
<u>Concepts you need to understand</u>	617
<u>States</u>	617
<u>Strengths</u>	618
<u>Defining a digital stimulus</u>	619
<u>Using the DIGSTIMn part</u>	620
<u>Defining input signals using the Stimulus Editor</u>	620
<u>Using the DIGCLOCK part</u>	627
<u>Using STIM1, STIM4, STIM8 and STIM16 parts</u>	628
<u>Using the FILESTIMn parts</u>	630
<u>Defining simulation time</u>	633
<u>Adjusting simulation parameters</u>	634
<u>Selecting propagation delays</u>	635
<u>Initializing flip-flops</u>	636
<u>Starting the simulation</u>	636
<u>Analyzing results</u>	637
<u>Adding digital signals to a plot</u>	639
<u>Adding buses to a waveform plot</u>	641
<u>Tracking timing violations and hazards</u>	644

15

<u>Mixed analog/digital simulation</u>	651
<u>Chapter overview</u>	651
<u>Interconnecting analog and digital parts</u>	652
<u>Interface subcircuit selection by PSpice</u>	653
<u>Level 1 interface</u>	654
<u>Level 2 interface</u>	655
<u>Setting the default A/D interface</u>	656
<u>Specifying digital power supplies</u>	657
<u>Default power supply selection by PSpice A/D</u>	657
<u>Creating custom digital power supplies</u>	659
<u>Interface generation and node names</u>	663

16

<u>Digital worst-case timing analysis</u>	667
<u>Digital worst-case timing</u>	667
<u>Digital worst-case analysis compared to analog worst-case analysis</u>	668
<u>Starting digital worst-case timing analysis</u>	670
<u>Simulator representation of timing ambiguity</u>	670
<u>Propagation of timing ambiguity</u>	672
<u>Identification of timing hazards</u>	673
<u>Convergence hazard</u>	673
<u>Critical hazard</u>	674
<u>Cumulative ambiguity hazard</u>	675
<u>Reconvergence hazard</u>	677
<u>Glitch suppression due to inertial delay</u>	679
<u>Methodology</u>	680

<u>Part four: Viewing results</u>	684
---	-----

17

<u>Analyzing waveforms</u>	685
<u>Chapter overview</u>	685

PSpice User Guide

<u>Overview of waveform analysis</u>	686
<u>Elements of a plot</u>	687
<u>Elements of a Probe window</u>	688
<u>Managing multiple Probe windows</u>	689
<u>Setting up waveform analysis</u>	691
<u>Setting up colors</u>	691
<u>Viewing waveforms</u>	697
<u>Setting up waveform display from design entry tools</u>	697
<u>Viewing waveforms while simulating</u>	698
<u>Using schematic page markers to add traces</u>	702
<u>Using display control</u>	705
<u>Using plot window templates</u>	708
<u>Limiting waveform data file size</u>	721
<u>Viewing large data files</u>	725
<u>Using simulation data from multiple files</u>	733
<u>Comparing measured data with simulated data</u>	738
<u>Saving simulation results in ASCII format</u>	738
<u>Analog example</u>	740
<u>Mixed analog/digital tutorial</u>	744
<u>About digital states</u>	744
<u>About the oscillator circuit</u>	745
<u>Setting up the design</u>	745
<u>Running the simulation</u>	746
<u>Analyzing simulation results</u>	746
<u>User interface features for waveform analysis</u>	750
<u>Zoom regions</u>	750
<u>Scrolling traces</u>	752
<u>Showing and hiding traces</u>	752
<u>Sizing digital plots</u>	753
<u>Modifying trace expressions and labels</u>	754
<u>Moving and copying trace names and expressions</u>	755
<u>Copying and moving labels</u>	756
<u>Tabulating trace data values</u>	757
<u>Using cursors</u>	758
<u>Tracking digital simulation messages</u>	765
<u>Message tracking from the message summary</u>	765

PSpice User Guide

<u>Message tracking from the waveform</u>	768
<u>Trace expressions</u>	768
<u>Basic output variable form</u>	769
<u>Output variable form for device terminals</u>	771
<u>Analog trace expressions</u>	779
<u>Digital trace expressions</u>	782

18

<u>Measurement expressions</u>	787
<u>Chapter overview</u>	787
<u>Measurements overview</u>	788
<u>Measurement strategy</u>	789
<u>Procedure for creating measurement expressions</u>	790
<u>Setup</u>	790
<u>Composing a measurement expression</u>	790
<u>Viewing the results of measurement evaluations</u>	791
<u>Example</u>	792
<u>Viewing the results of measurement evaluations.</u>	798
<u>Measurement definitions included in PSpice</u>	799
<u>For power users</u>	802
<u>Creating custom measurement definitions</u>	802
<u>Definition example</u>	804
<u>Measurement definition syntax</u>	807
<u>Syntax example</u>	817

19

<u>Other output options</u>	819
<u>Chapter overview</u>	819
<u>Viewing analog results in the PSpice window</u>	820
<u>Writing additional results to the PSpice output file</u>	821
<u>Generating plots of voltage and current values</u>	821
<u>Generating tables of voltage and current values</u>	823
<u>Generating tables of digital state changes</u>	824
<u>Creating test vector files</u>	825
<u>Exporting Trace to CSV File</u>	827

20

<u>Bias Point Display</u>	829
<u>Introduction</u>	829
<u>How bias information is stored and updated</u>	830
<u>Bias point data for multiple analyses</u>	830
<u>Displaying bias point values</u>	831
<u>Controlling the display of bias points</u>	834
<u>Moving bias points</u>	836
<u>Updating bias point values</u>	836
<u>Menu commands for bias point display</u>	837
<u>Toolbar controls for bias point display</u>	838
<u>Toggling a specific current bias display</u>	839
<u>Toggling a specific voltage bias display</u>	839
<u>Toggling a specific power bias display</u>	840
<u>Differences between bias point display in Capture vs. PSpice Schematics</u>	840

A

<u>Setting initial state</u>	841
<u>Appendix overview</u>	841
<u>Save and load bias point</u>	842
<u>Save bias point</u>	842
<u>Load bias point</u>	843
<u>Setpoints</u>	844
<u>Setting initial conditions</u>	846

B

<u>Convergence and “time step too small errors”</u>	847
<u>Appendix overview</u>	847
<u>Introduction</u>	848
<u>Newton-Raphson requirements</u>	848
<u>Is there a solution?</u>	849
<u>Are the equations continuous?</u>	849
<u>Is the initial approximation close enough?</u>	851
<u>Diagnostics</u>	851

PSpice User Guide

<u>Bias Point (DC) Convergence</u>	853
<u>DC Sweep Convergence</u>	857
<u>Transient Convergence</u>	859

C

<u>Importing Spice Models</u>	867
<u>Appendix Overview</u>	867
<u>Introduction</u>	868
<u>Importing text models</u>	868
<u>Generating Part Symbols</u>	869
<u>Creating New Symbols</u>	869
<u>Using symbols from an existing symbol library</u>	871
<u>Using Model Import wizard</u>	874
<u>Configuring new model library</u>	875
<u>Editing Model Editor created symbols</u>	877
<u>Index</u>	881

PSpice User Guide

Before you begin

Welcome

OrCAD products offer a total solution for your core design tasks: schematic- and VHDL-based design entry; FPGA and CPLD design synthesis; digital, analog, and mixed-signal simulation; and printed circuit board layout. What's more, OrCAD products are a suite of applications built around an engineer's design flow—not just a collection of independently developed point tools. PSpice is just one element in our total solution design flow.

PSpice¹ is a simulation program that models the behavior of a circuit. PSpice simulates analog-only circuits, whereas PSpice simulates any mix of analog and digital devices. Used with design entry tools², OrCAD Capture or Design Entry HDL, you can think of PSpice as a software-based breadboard of your circuit that you can use to test and refine your design before manufacturing the physical circuit board or IC.

-
1. Depending on the license available, you will access either PSpice or PSpice Simulator.
 2. In this guide, design entry tool is used for both OrCAD Capture and Design Entry HDL. Any differences between the two tools is mentioned, if necessary.

How to use this guide

This guide is designed so you can quickly find the information you need to use PSpice. To help you learn and use PSpice efficiently, this manual is separated into the following sections:

- Part 1 - Simulation primer
- Part 2 - Design entry
- Part 3 - Setting up and running analyses
- Part 4 - Viewing results

Symbols and conventions

Our online documentation uses a few special symbols and conventions.

Notation	Examples	Description
Ctrl+R	Press Ctrl+R	Means to hold down the Control key while pressing R.
Alt, F, O	From the File menu, choose Open (Alt, F, O).	Means that you have two options. You can use the mouse to choose the Open command from the File menu, or you can press each of the keys in parentheses in order: first Alt, then F, then O.
Monospace font	In the Part Name text box, type PARAM.	Text that you type is shown in monospace font. In the example, you type the characters P, A, R, A, and M.
UPPERCASE	In Capture, open CLIPPERA.DSN. In Project Manager, open CLIPPERA.CPM	Path and filenames are shown in uppercase. In the example, you open the design file named CLIPPER.DSN.

PSpice User Guide

Before you begin

Italics	In the text editor, save <i>stimulus_name</i> .STM.	Information that you are to provide is shown in italics. In the example, you save the design with a name of your choice, but it must have an extension of .DSN.
---------	---	---

Related documentation

In addition to this guide, you can find technical product information in the online help, online books, and our technical web site, as well as in other books. The table below describes the types of technical documentation provided with PSpice.

Note: The documentation you receive depends on the software configuration you have purchased. Previous editions of the PSpice User's Guide focused only on PSpice. The current PSpice User's Guide supersedes all other editions and covers PSpice.

This documentation component . . . Provides this . . .

This guide— PSpice User's Guide	An online, searchable, comprehensive guide for understanding and using the features available in PSpice. See Accessing online documentation on page 26 for information on how to access this online book.
------------------------------------	--

PSpice User Guide

Before you begin

This documentation component . . . Provides this . . .

PSpice Online help

Comprehensive information for understanding and using the features available in PSpice.

You can access help from the Help menu in PSpice, by choosing the Help button in a dialog box, or by pressing F1. Topics include:

- Explanations and instructions for common tasks.
- Descriptions of menu commands, dialog boxes, tools on the toolbar and tool palettes, and the status bar.
- Error messages and glossary terms.
- Reference information.
- Product support information.

You can get context-sensitive help for a error message by placing your cursor in the error message line in the session log and pressing F1.

PSpice Advanced Analysis User's Guide

An online, searchable, comprehensive guide for understanding and using the features available in the PSpice Advanced Analysis add on program.

PSpice Advanced Analysis is an add-on option to PSpice A/D and PSpice. PSpice Advanced Analysis allows PSpice users to optimize performance and improve quality of designs before committing them to hardware. Advanced Analysis' four important capabilities: sensitivity analysis, optimization, yield analysis (Monte Carlo), and stress analysis (Smoke) address design complexity as well as price, performance, and quality requirements of circuit design.

See [Accessing online documentation](#) on page 26 for information on how to access this online book.

PSpice User Guide

Before you begin

This documentation component . . . Provides this . . .

PSpice Reference Guide

An online, searchable reference guide for PSpice describing: detailed descriptions of the simulation controls and analysis specifications, start-up option definitions, and a list of device types in the analog and digital model libraries. User interface commands are provided to instruct you on each of the screen commands.

See [Accessing online documentation](#) on page 26 for information on how to access this online book.

PSpice Library List

An online, searchable listing of all of the analog, digital, and mixed-signal parts in the standard model and part libraries that are shipped with PSpice.

See [Accessing online documentation](#) on page 26 for information on how to access this online book.

PSpice Advanced Analysis Library List

An online, searchable library list of components in the Advanced Analysis libraries that are shipped with PSpice.

The Advanced Analysis libraries contain parameterized and standard components. The parameterized components have tolerance, distribution, optimization, and smoke parameters that are required by the PSpice Advanced Analysis tools.

See [Accessing online documentation](#) on page 26 for information on how to access this online book.

PSpice Quick Reference

Concise descriptions of the commands, shortcuts, and tools available in PSpice.

See [Accessing online documentation](#) on page 26 for information on how to access this online book.

OrCAD Capture User's Guide

Comprehensive information for understanding and using the features available in the OrCAD Capture schematic editor.

See [Accessing online documentation](#) on page 26 for information on how to access this online book.

PSpice User Guide

Before you begin

This documentation component . . . Provides this . . .

Design Entry HDL User Guide

Comprehensive information for understanding and using the features available in the Design Entry HDL schematic editor.

See [Accessing online documentation](#) on page 26 for information on how to access this online book.

Accessing online documentation

To access online documentation, you must open the Cadence Documentation window.

1. Do one of the following:

- From the Windows Start menu, choose the installed Cadence release and then choose *Cadence Help*.
- From the *Help* menu in PSpice, choose *Documentation*.

The Cadence Documentation window appears.

2. Click the PSpice category to show the documents in the category.

3. Double-click a document title to load that document into your web browser.

What this user's guide covers

Note: An evaluation/academic version called PSpice Lite is also available.

This user's guide is intended to provide a complete understanding of how to use all of the features and functionality provided by PSpice.

PSpice overview

PSpice simulates analog-only, mixed analog/digital, and digital-only circuits. PSpice analog and digital algorithms are built into the same program so that mixed analog/digital circuits can be simulated with

PSpice User Guide

Before you begin

tightly-coupled feedback loops between the analog and digital sections without any performance degradation.

After you prepare a design for simulation, OrCAD Capture generates a circuit file set. The circuit file set, containing the circuit netlist and analysis commands, is read by PSpice for simulation. PSpice formulates these into meaningful graphical plots, which you can mark for display directly from your schematic page using markers.

Add-on options

There are products that are available as add-on options to PSpice and can be used to optimize performance and reliability of their designs before committing them to hardware.

These add-on options enable analog/mixed-signal circuit designers to employ sophisticated design methodologies for improving performance, time-to-market, and quality of design while keeping the production costs in check.

PSpice Smoke Option

PSpice Smoke Option allows users to run smoke analysis on their circuit designs.

PSpice Advanced Optimizer Option

PSpice Advanced Optimizer Option enables users to run Optimizer, Monte Carlo, and Sensitivity analyses on their circuit designs.

PSpice Advanced Analysis

The analyses covered in this bundle are Parametric Plotter, Sensitivity, Optimizer, Smoke, and Monte Carlo.

Parametric Plotter provides the design exploration capabilities to the designers. Using Parametric Plotter, you can perform nested parametric sweep analysis on your circuit design. Sensitivity Analysis shows graphically how much a change in a design parameter affects your measurements. Optimizer automates the iterative process of

PSpice User Guide

Before you begin

re-running simulations and fine tuning your design. Smoke Analysis determines whether components are operating within their safe operating limits. Monte Carlo explores the parameter space bounded by component tolerances and estimates the expected yield.

SLPS

PSpice SLPS Interface is an interface tool that links PSpice to the MATLAB modeling tool and also to Simulink system simulator, provided by The Mathworks. This interface tool has been developed in partnership with Cybernet Systems Co Ltd.

PSpice is a SPICE-based simulator used for simulating electrical and electronic circuits, and The Mathworks tools are used for system designing. PSpice SLPS interface integrates these two simulators to provide a simulation flow that can be used to design any kind of system with electronic sub-systems.

If you don't have the standard PSpice A/D package

Comparison of the different versions of PSpice

The following table identifies which significant features are included with PSpice.

Another version of PSpice, called PSpice Lite, is also available. This product is intended for use by students, and is provided for evaluation purposes as well. The limitations of PSpice Lite are listed after this table.

Note: For the most current information about the features and functionality available in the different versions of PSpice, contact PSpice Customer Support.

Comparison of PSpice product features

Feature	PSpice
Benefits of integration with OrCAD Capture or Design Entry HDL	

PSpice User Guide

Before you begin

Comparison of PSpice product features

Feature	PSpice
graphical design entry (schematic capture)	yes
simulation setup using dialog boxes	yes
cross-probing	yes
multi-window analysis of PSpice data sets	yes
marching waveforms in PSpice	yes
board layout package interfaces	yes
Notable PSpice analysis and simulation features	
DC sweep, AC sweep, transient analysis	yes
noise, Fourier, temperature analysis	yes
parametric analysis	yes
Monte Carlo, sensitivity/worst-case analysis	yes
analog behavioral modeling (ABM)	yes
propagation delay modeling	yes
constraint checking (such as setup and hold timing)	yes
digital worst-case timing	yes
charge storage on digital nets	yes
PSpice Stimulus Editor	yes
PSpice Model Editor	yes
performance analysis (measurements)	yes
interactive simulation	yes
preemptive simulation	yes
save/load bias point	yes
performance package	yes
Notable PSpice devices and library models	
GaAsFETs: Curtice, Statz, TriQuint, Parker-Skellern	all

PSpice User Guide

Before you begin

Comparison of PSpice product features

Feature	PSpice
MOSFETs: SPICE3 (1-3) with charge conservation, BSIM1, EKV (version 2.6) BSIM3, BSIM3v3.2, BSIM4	yes
IGBTs	yes
JFETs, BJTs	yes
SCRs, thyristors	yes
PWMs	yes
resistor, capacitor, and inductor .MODEL support	yes
ideal, non-ideal lossy transmission lines	all
coupled inductors	yes
coupled transmission lines	yes
nonlinear magnetics	yes
voltage- and current-controlled switches	yes
analog model library	16,000+
digital primitives	all
digital model library	1,600+
advanced analysis library	4300+
Purchase options	
Advanced Analysis	yes
network licensing	yes
Other options	
PSpice Device Equations Developer's Kit (DEDK) ¹	yes
Miscellaneous specifications	
unlimited circuit size	yes

1. Available to qualified customers - contact PSpice Customer Support for qualification criteria.

PSpice User Guide

Before you begin

If you have PSpice Lite

Limits of PSpice Lite

PSpice Lite has the following limitations:

- Circuit simulation limited to circuits with up to 75 nodes, 20 transistors, no sub-circuit limits but 65 digital primitive devices, and 10 transmission lines (ideal or non-ideal) with not more than four pairwise coupled lines.
- Device characterization and parameterized part creation using the PSpice Model Editor limited to diodes.
- No limit to stimulus generation using Stimulus Editor.
- Sample model library named eval.lib (containing analog and digital parts) and evalp.lib (containing parameterized parts) are provided.
- The library nomd.lib is configured for simulations. The nomd.lib file references the set of libraries that can be used with the lite version.
- You cannot simulate parameterized parts that are not from the evalp.lib library. This library consists of parametrized resistor, source, and diode.
- You cannot use Level 3 of Core model (Tabrizi), MOSFET BSIM 3.2, or MOSFET BSIM 4 models.
- Displays only simulation data created using the lite version of the simulator.
- Magnetic Parts Editor allows you to design power transformers only. The database shipped with Magnetic Parts Editor cannot be edited and contains a single core.
- The maximum nodes in a digital circuit can be equal to or less than 250.
- The non-ideal Tline is limited to 4.

Minimum hardware requirements for running PSpice:

Refer to the *Product Installation Guide for Windows* for information on hardware and software requirements.

PSpice Samples and Tutorials

Many samples, templates, demos, and tutorials are available with PSpice that you can use to work with the tools. The samples and tutorials are available for the design entry tools, Design Entry HDL and OrCAD Capture. SLPS demos are also available for both the design entry tools.

The Design Entry HDL design samples are available at `<installation>\tools\pspice\concept_samples`. This location contains the SLPS demos in the `SLPSdemos` folder and design templates in the `design_examples` folder. The tutorials are located at `<installation>\tools\pspice\tutorial\concept`.

Similarly, the Capture design samples are available at `<installation>\tools\pspice\capture_samples`. This location contains the SLPS demos in the `SLPSdemos` folder. The design templates are in the `<installation>\tools\capture\templates\pspice` folder. The tutorials are located at `<installation>\tools\pspice\tutorial\capture`.

For more information on design templates, see [Using Design Templates](#) on page 93.

Part one: Simulation primer

Part one provides basic information about circuit simulation including examples of common analyses.

- Chapter 1, “Things you need to know,” provides an overview of the circuit simulation process including what PSpice does, descriptions of analysis types, and descriptions of important files.
- Chapter 2, “Simulation examples,” presents examples of common analyses to introduce the methods and tools you’ll need to enter, simulate, and analyze your design.

PSpice User Guide
Part one: Simulation primer

Things you need to know

Chapter overview

This chapter introduces the purpose and function of the PSpice¹ circuit simulator.

- [What is PSpice?](#) on page 36 describes PSpice capabilities.
- [Analyses you can run with PSpice](#) on page 40 introduces the different kinds of basic and advanced analyses that PSpice supports.
- [Using PSpice with other programs](#) on page 47 presents the high-level simulation design flow.
- [Files needed for simulation](#) on page 49 describes the files used to pass information between PSpice and other programs. This section also introduces the things you can do to customize where and how PSpice finds simulation information.
- [Files that PSpice generates](#) on page 55 describes the files that contain simulation results.
- [Directory structure for analog projects in Capture](#) on page 58 describes the new directory structure for analog projects.
- [Encrypting PSpice Models](#) on page 71 describes how to encrypt model libraries.

1. Depending on the license available, you will access either PSpice or PSpice Simulator.

What is PSpice?

PSpice¹ is a simulation program that models the behavior of a circuit containing any mix of analog and digital devices. Because the analog and digital simulation algorithms are built into the same program, PSpice simulates mixed-signal circuits with no performance degradation because of tightly coupled feedback loops between the analog and digital sections.

Used with design entry tools² such as OrCAD Capture or Design Entry HDL for design entry, you can think of PSpice as a software-based breadboard of your circuit that you can use to test and refine your design before ever touching a piece of hardware.

Run basic and advanced analyses

PSpice can perform:

- DC, AC, and transient analyses, so you can test the response of your circuit to different inputs.
- Parametric, Monte Carlo, and sensitivity/worst-case analyses, so you can see how your circuit's behavior varies with changing component values.
- Digital worst-case timing analysis to help you find timing problems that occur with only certain combinations of slow and fast signal transmissions.

Note: Digital worst-case timing analysis is not available in PSpice.

The range of models built into PSpice A/D include not only those for resistors, inductors, capacitors, and bipolar transistors, but also these:

- transmission line models, including delay, reflection, loss, dispersion, and crosstalk

-
1. Depending on the license available, you will access either PSpice or PSpice Simulator.
 2. In this guide, design entry tool is used for both OrCAD Capture and Design Entry HDL. Any differences between the two tools is mentioned, if necessary.

PSpice User Guide

Things you need to know

- nonlinear magnetic core models, including saturation and hysteresis
- eight MOSFET models, including BSIM4 version 4.1, BSIM3 version 3.2, and EKV version 2.6
- five GaAsFET models, including Parker-Skellern and TriQuint's TOM2 model
- IGBTs
- digital components with analog I/O models (not in PSpice)

Use parts from PSpice's extensive set of libraries

PSpice provides two types of libraries:

- Standard PSpice libraries
- PSpice Advanced Analysis libraries

Standard PSpice libraries

The standard PSpice libraries feature over 16,000 analog and 1,600 digital and mixed-signal models of devices manufactured in North America, Japan, and Europe.

Use parts from standard PSpice libraries or PSpice Advanced Analysis libraries if you want to analyze the part with PSpice.

The standard PSpice libraries are installed at the following locations in the installation directory:

- Capture symbols for standard PSpice libraries at
`\tools\Capture\Library\PSpice\`
Design Entry HDL symbols for standard PSpice libraries at
`<install_dir>\share\library`
- Standard PSpice model libraries at
`\tools\PSpice\Library\`

The parts in the standard PSpice libraries are listed in the online *PSpice Library List*. For information on finding parts using the online *PSpice Library List*, see [To find parts using the online library](#).

PSpice User Guide

Things you need to know

[lists](#) on page 151. To find out more about each model library, read the comments in the .LIB file header.

PSpice Advanced Analysis libraries

The PSpice Advanced Analysis libraries contain over 4,300 analog parts. The Advanced Analysis libraries contain parameterized and standard parts. The majority of the parts are parameterized. The parameterized parts have tolerance, distribution, optimizable and smoke parameters that are required by the PSpice Advanced Analysis tools. Standard parts in the Advanced Analysis libraries are similar to parts in the standard PSpice libraries.

The parameterized parts are associated with template-based PSpice models. An important advantage of using the template-based PSpice models is that you can pass model parameters as properties from the design entry tool. For example, if a template-based model is associated with a part, the model parameters that you specify on an instance of the part in your design will be passed to the model. There is no need to edit the model itself to change a parameter value. This is unlike the standard PSpice parts that are associated with device characteristic curve-based PSpice models, where you need to edit the model to change a simulation parameter. For more information on template-based and device characteristic curve-based PSpice models, see [Chapter 4, “Creating and editing models.”](#)

Use parameterized parts from Advanced Analysis libraries if you want to analyze the part with an Advanced Analysis tool. Most of the analog parts in the standard PSpice libraries contain smoke parameters. You can use these parts to perform smoke analysis using the Smoke tool in PSpice Advanced Analysis.

This Advanced Analysis tool...	Uses these part parameters...
Sensitivity	Tolerance parameters
Optimizer	Optimizable parameters
Smoke	Smoke parameters

PSpice User Guide

Things you need to know

This Advanced Analysis tool...	Uses these part parameters...
Monte Carlo	Tolerance parameters, Distribution parameters (default parameter value is Flat / Uniform)

Note: You may use a mixture of standard and parameterized parts in your design.

The Advanced Analysis libraries are installed at the following locations in the installation directory:

- Capture symbols for Advanced Analysis libraries at
`\tools\Capture\Library\PSpice\AdvAnls\
Design Entry HDL symbols for Advanced Analysis libraries at
<install_dir>\share\library\
■ PSpice Advanced Analysis model libraries at
\tools\PSpice\Library`

The parts in the Advanced Analysis libraries are listed in the *PSpice Advanced Analysis Library List*. For information on finding parts using the online *PSpice Advanced Analysis Library List*, see [To find parts using the online library lists](#) on page 151. To find out more about each model library, read the comments in the .LIB file header.

Vary device characteristics without creating new parts

PSpice has numerous built-in models with parameters that you can tweak for a given device. These include independent temperature effects.

Model behavior

PSpice supports analog and digital behavioral modeling, so you can describe functional blocks of circuitry using mathematical expressions and functions.

Analyses you can run with PSpice

- See [Chapter 2, “Simulation examples,”](#) for introductory examples showing how to run each type of analysis.
- See [Part three: Setting up and running analyses,](#) for a more detailed discussion of each type of analysis and how to set it up.

Basic analyses

DC sweep & other DC calculations

These DC analyses evaluate circuit performance in response to a direct current source. Table 1-1 summarizes what PSpice A/D calculates for each DC analysis type.

Table 1-1 DC analysis types

For this DC analysis...	PSpice computes this...
DC sweep	Steady-state voltages, currents, and digital states when sweeping a source, a model parameter, or temperature over a range of values.
Bias point detail	Bias point data in addition to what is automatically computed in any simulation.
DC sensitivity	Sensitivity of a net or part voltage as a function of bias point.
Small-signal DC transfer	Small-signal DC gain, input resistance, and output resistance as a function of bias point.

PSpice User Guide

Things you need to know

AC sweep and noise

These AC analyses evaluate circuit performance in response to a small-signal alternating current source. Table 1-2 summarizes what PSpice A/D calculates for each AC analysis type.

Table 1-2 AC analysis types

For this AC analysis...	PSpice computes this...
AC sweep	Small-signal response of the circuit (linearized around the bias point) when sweeping one or more sources over a range of frequencies. Outputs include voltages and currents with magnitude and phase. You can also use Bode Plot Template Windows in Probe to view this information.
Noise	For each frequency specified in the AC analysis: <ul style="list-style-type: none">■ Propagated noise contributions at an output net from every noise generator in the circuit.■ RMS sum of the noise contributions at the output.■ Equivalent input noise.

Note: To run a noise analysis, you must also run an AC sweep analysis.

PSpice User Guide

Things you need to know

Transient and Fourier

These time-based analyses evaluate circuit performance in response to time-varying sources. Table 1-3 summarizes what PSpice A/D calculates for each time-based analysis type.

Table 1-3 Time-based analysis types

For this time-based analysis...	PSpice computes this...
Transient	<p>Voltages, currents, and digital states tracked over time.</p> <p>For digital devices, you can set the propagation delays to minimum, typical, and maximum. If you have enabled digital worst-case timing analysis, then PSpice A/D considers all possible combinations of propagation delays within the minimum and maximum range.</p> <p>Note: Digital worst-case timing analysis is not available in PSpice.</p>
Fourier	<p>DC and Fourier components of the transient analysis results.</p>

Note: To run a Fourier analysis, you must also run a transient analysis.

Advanced multi-run analyses

The multi-run analyses—parametric, temperature, Monte Carlo, and sensitivity/worst-case—result in a series of DC sweep, AC sweep, or transient analyses depending on which basic analyses you enabled.

Parametric and temperature

For parametric and temperature analyses, PSpice steps a circuit value in a sequence that you specify and runs a simulation for each value.

Table 1-4 shows the circuit values that you can step for each kind of analysis.

Table 1-4 Parametric and temperature analysis types

For this analysis...	You can step one of these...
Parametric	global parameter model parameter component value DC source operational temperature
Temperature	operational temperature

Monte Carlo and sensitivity/worst-case

Monte Carlo and sensitivity/worst-case analyses are statistical. PSpice changes device model parameter values with respect to device and lot tolerances that you specify, and runs a simulation for each value.

PSpice User Guide

Things you need to know

Table [1-5](#) summarizes how PSpice runs each statistical analysis type.

Table 1-5 Statistical analysis types

For this statistical analysis...	PSpice does this...
Monte Carlo	For each simulation, <i>randomly</i> varies all device model parameters for which you have defined a tolerance.
Sensitivity/ worst-case	Computes the probable worst-case response of the circuit in two steps: <ol style="list-style-type: none">1. Computes component sensitivity to changes in the device model parameters. This means PSpice <i>nonrandomly</i> varies device model parameters for which you have defined a tolerance, one at a time for each device and runs a simulation with each change.2. Sets <i>all</i> model parameters for <i>all</i> devices to their worst-case values (assumed to be at one of the tolerance limits) and runs a final simulation.

Analyzing waveforms with PSpice

What is waveform analysis?

After completing the simulation, PSpice plots the waveform results so you can visualize the circuit's behavior and determine the validity of your design.

Taken together, simulation and waveform analysis is an iterative process. After analyzing simulation results, you can refine your design and simulation settings and then perform a new simulation and waveform analysis.

Perform post-simulation analysis of the results

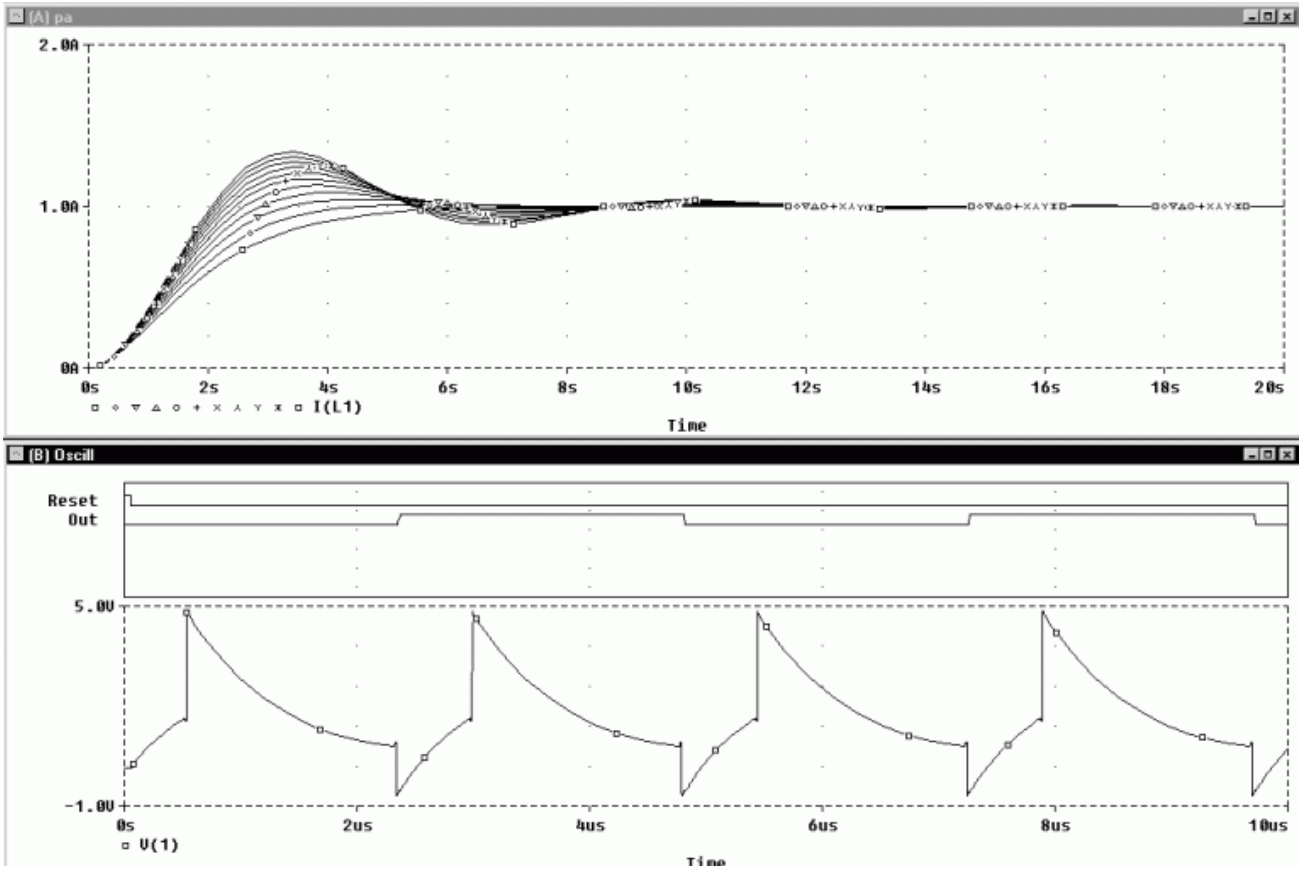
This means you can plot additional information derived from the waveforms. What you can plot depends on the types of analyses you run. Bode plots, phase margin, derivatives for small-signal characteristics, waveform families, and histograms are only a few of the possibilities. You can also plot other waveform characteristics such as rise time versus temperature, or percent overshoot versus component value.

Pinpoint design errors in digital circuits

When PSpice detects setup and hold violations, race conditions, or timing hazards, a detailed message appears along with corresponding waveforms. PSpice also helps you locate the problem in your design.

PSpice User Guide

Things you need to know



Using PSpice with other programs

Using design entry tools¹ to prepare for simulation

Design entry tools such as OrCAD Capture or Design Entry HDL are design entry programs you need to prepare your circuit for simulation. This means:

- placing and connecting part symbols,
- defining component values and other attributes,
- defining input waveforms,
- enabling one or more analyses, and
- marking the points in the circuit where you want to see results.

OrCAD Capture and Design Entry HDL are also the control points for running other programs used in the simulation design flow.

Note: The PSpice Simulator menu items are not enabled by default in Design Entry HDL. To enable the menu items, choose *PSpice Simulator – Enable PSpice Simulation*. After this, the design is enabled for PSpice simulation and the *PSpice–Enable PSpice Simulation* menu item gets disabled and cannot be enabled again for the project. This is to ensure that a design that has been enabled for PSpice simulation is not rolled back to be used only for Design Entry HDL core operations. This is aligned with the OrCAD Capture–PSpice flow, where user has to specify if it is a PSpice project during the Project creation. Since this is a new menu item, user needs to update the files `concepthdl_menu.txt` and `concepthdl_menu_win.txt` (if using Design Entry HDL in Windows mode) at site level (location pointed by `$CDS_SITE`) and home directory (location pointed by `$HOME`).

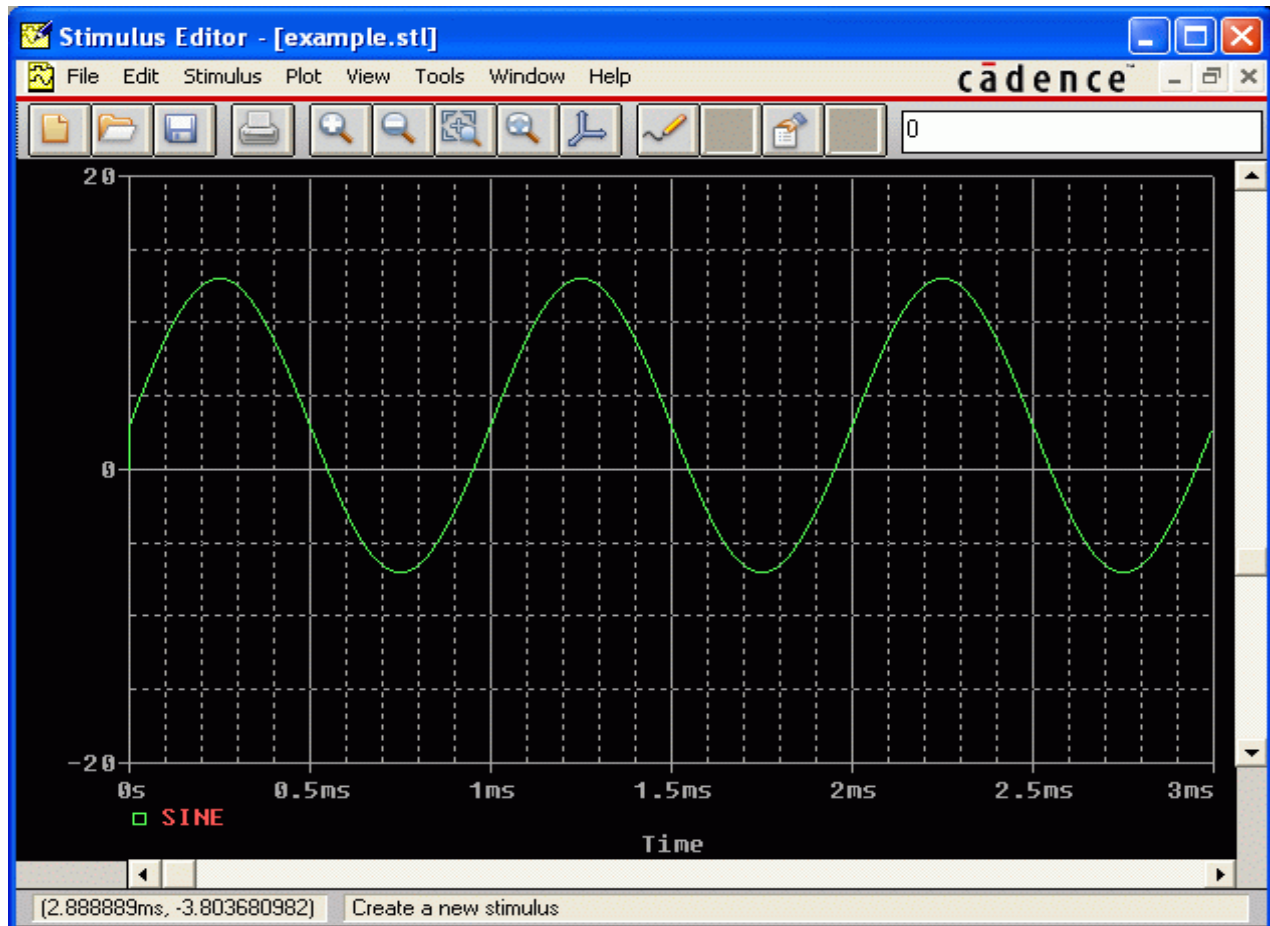
1. In this guide, design entry tool is used for both OrCAD Capture and Design Entry HDL. Any differences between the two tools is mentioned, if necessary. Depending on the license available, you will access either PSpice or PSpice Simulator.

PSpice User Guide

Things you need to know

What is the PSpice Stimulus Editor?

The Stimulus Editor is a graphical input waveform editor that lets you define the shape of time-based signals used to test your circuit's response during simulation.



Using the Stimulus Editor, you can define:

- analog stimuli with sine wave, pulse, piecewise linear, exponential pulse, single-frequency FM shapes, and
- digital stimuli that range from simple clocks to complex pulse patterns and bus sequences.

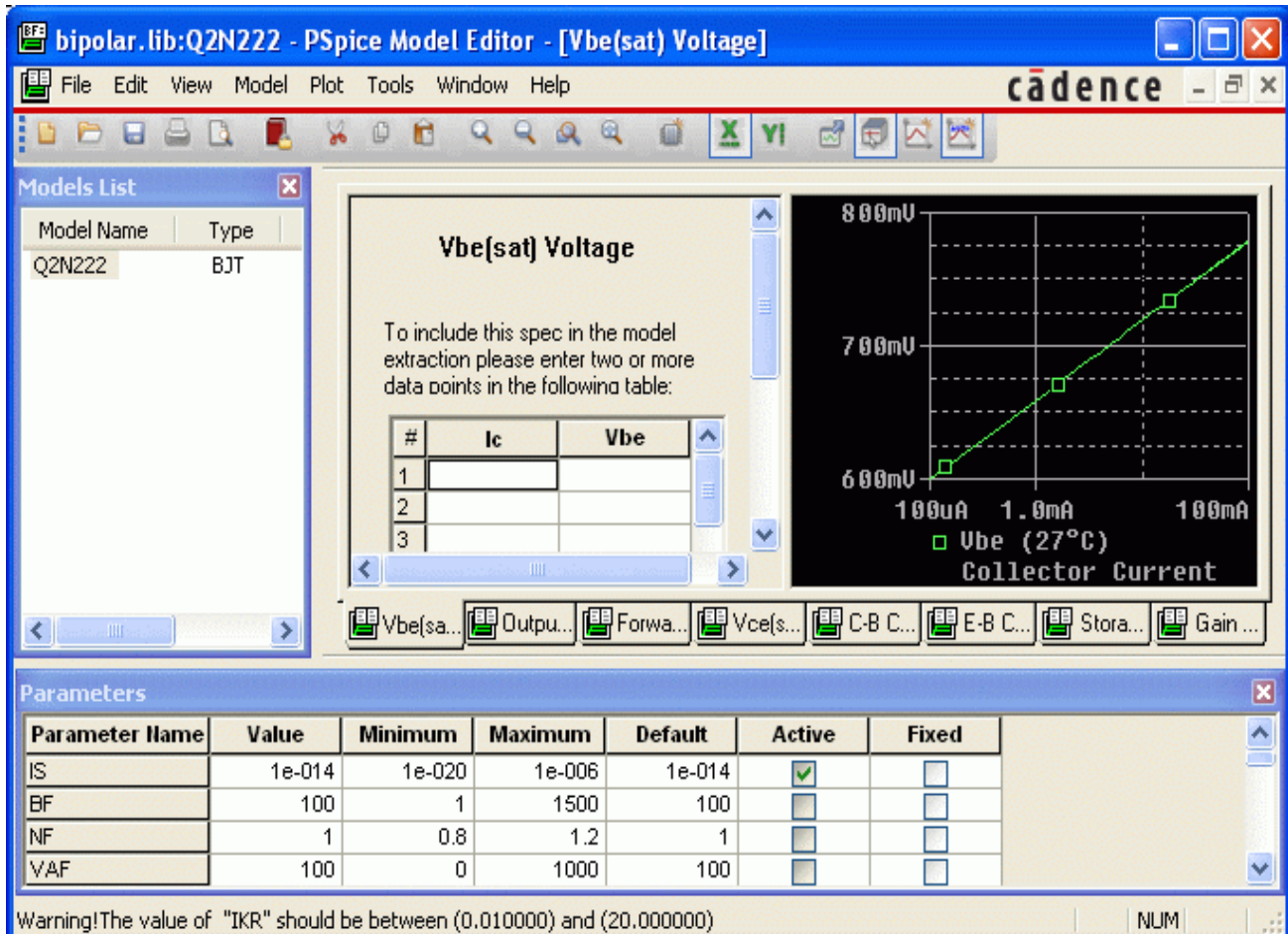
The Stimulus Editor lets you draw analog piecewise linear and all digital stimuli by clicking at the points along the timeline that correspond to the input values that you want at transitions.

PSpice User Guide

Things you need to know

What is the PSpice Model Editor?

The PSpice Model Editor is a model extractor that generates model definitions for PSpice to use during simulation.



All the PSpice Model Editor needs is information about the device found in standard data sheets. As you enter the data sheet information, the Model Editor displays device characteristic curves so you can verify the model-based behavior of the device. When you are finished, the PSpice Model Editor automatically creates a part for the model so you can use the modeled part in your design immediately.

Files needed for simulation

To simulate your design, PSpice needs to know about:

PSpice User Guide

Things you need to know

- the parts in your circuit and how they are connected,
- what analyses to run,
- the simulation models that correspond to the parts in your circuit, and
- the stimulus definitions to test with.

This information is provided in various data files. Some of these are generated by the design entry tool, others come from libraries (which can also be generated by other programs like the PSpice Stimulus Editor and the PSpice Model Editor), and still others are user-defined.

Note: You can choose *File –Open File Location* from PSpice to open the location of PSpice files.

Files that design entry tool generates

Capture files:

When you begin the simulation process, OrCAD Capture first generates files describing the parts and connections in your circuit. These files are the netlist file and the circuit file that PSpice reads before doing anything else.

Design Entry HDL files:

When you begin the simulation process, Design Entry HDL generates a netlist file describing the parts and connections in your design.

In the earlier releases these files were in the `cfg_analog` view. But in the new format all the PSpice related files are located in the `psp_sim_1` view.

Netlist file

The netlist file contains a list of device names, values, and how they are connected with other devices.

- The name that OrCAD Capture generates for this file is:

PSpice User Guide

Things you need to know

- `ROOT_SCHEMATIC_NAME.NET`, if you have updated your project to the new project format. For more information on the new format for analog projects, see *Conversion of old analog projects to new project format* in the *OrCAD Capture Online Help* and [Directory structure for analog projects in Capture](#) on page 58.

In the new project format, the netlist file is located in the directory:

```
\<project_name>-PSpiceFiles\<schematic_name>\
```

- `DESIGN_NAME-ROOT_SCHEMATIC_NAME.NET`, if you did not update your project to the new project format. In the old format for analog projects, the netlist file is located in the project directory.
- The name that Design Entry HDL generates for this file is `DESIGN_NAME.NET`. The netlist file is located in the directory:

```
<project_directory>\worklib\<design_name>\psp_sim_1\
```

Refer to the online *PSpice Reference Guide* for the syntax of the statements in the netlist file.

Circuit file (Capture only)

The circuit file contains commands describing how to run the simulation. This file also refers to other files that contain netlist, model, stimulus, and any other user-defined information that apply to the simulation.

The name that OrCAD Capture generates for this file is:

- `PROFILE_NAME.CIR`, if you updated your project to the new project format. For more information on the new format for analog projects, see *Conversion of old analog projects to new project format* in the *OrCAD Capture Online Help* and [Directory structure for analog projects in Capture](#) on page 58.

In the new project format, the circuit file is located in the directory:

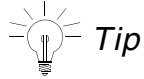
```
\<project_name>-PSpiceFiles\<schematic_name>\<profile_name>\
```

- `DESIGN_NAME-ROOT_SCHEMATIC_NAME-PROFILE_NAME.SIM.CIR`, if you did not update your project to the new project

PSpice User Guide

Things you need to know

format. In the old format for analog projects, the circuit file is located in the project directory.



Tip

The circuit file displays different groups such as text, numbers, comments, expressions, operator, and keyword in easy to read colors. You can also specify your own color schemes for the file by editing the `SpiceSyntax.ini` file in the `<installation>/tools/pspice` directory

Refer to the online *PSpice Reference Guide* for the syntax of the statements in the circuit file.

.map file (Design Entry HDL)

The `.map` file is used to store the name of the last profile used for a particular design. The name that Design Entry HDL generates for this file is `DESIGN_NAME.MAP`. The `.MAP` file is located in the directory:

```
<project_directory>\worklib\<design_name>\psp_sim_1\
```

.cmrk file (Design Entry HDL)

The `.cmrk` file contains information about the waveforms being plotted for various profiles. The name that Design Entry HDL generates for this file is `DESIGN_NAME.CMRK`. The `.CMRK` file is located in the directory:

```
<project_directory>\worklib\<design_name>\psp_sim_1\
```

A sample `.cmrk` file is given below:

```
(Analog
  (DCSweep
    ("@clipper_lib.clipper(sch_1):page1_out" "Voltage" "On" ))
  (ACsweep
    ("@clipper_lib.clipper(sch_1):page1_mid" "Voltage" "On" )
    ("@clipper_lib.clipper(sch_1):page1_out" "Voltage" "On" ))
  (Parametric
    ("@clipper_lib.clipper(sch_1):page1_mid" "Voltage" "On" )
    ("@clipper_lib.clipper(sch_1):page1_out" "Voltage" "On" )))
```

The waveforms being plotted for the profiles-DCSweep, ACsweep, and Parametric are given in the sample.

Other files that you can configure for simulation

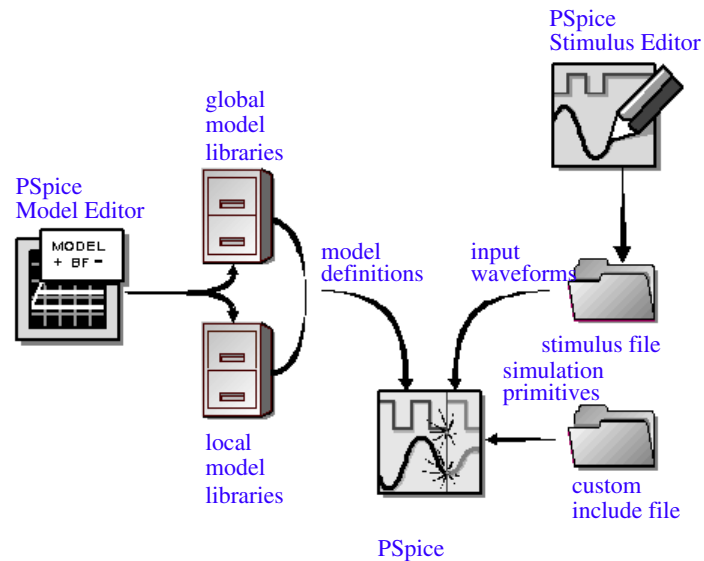


Figure 1-1 User-configurable data files that PSpice reads.

Before starting simulation, PSpice needs to read other files that contain simulation information for your circuit. These are model files, and if required, stimulus files and include files.

You can create these files using PSpice programs like the PSpice Stimulus Editor and the PSpice Model Editor. These programs automate file generation and provide graphical ways to verify the data. You can also use the Model Text view in the PSpice Model Editor (or another text editor like Notepad) to enter the data manually.

The circuit file (.CIR) that OrCAD Capture generates contains references to the other user-configurable files that PSpice needs to read.

Model library

A model library is a file that contains the electrical definition of one or more parts. PSpice uses this information to determine how a part will respond to different electrical inputs.

These definitions take the form of either a:

PSpice User Guide

Things you need to know

- *model parameter set*, which defines the behavior of a part by fine-tuning the underlying model built into PSpice, or
- *subcircuit netlist*, which describes the structure and function of the part by interconnecting other parts and primitives.

A subcircuit, sometimes called a *macromodel*, is analogous to a procedure call in a software programming language.

The most commonly used models are available in the PSpice model libraries shipped with your programs. The model library names have a `.LIB` extension.

If needed, however, you can create your own models and libraries, either:

- manually using the Model Text view in the PSpice Model Editor (or another text editor like Notepad), or
- automatically using the PSpice Model Editor.

See [What is the PSpice Model Editor?](#) on page 49 for a description.

Stimulus file

A stimulus file contains time-based definitions for analog or digital input waveforms. You can create a stimulus file either:

- manually using a standard text editor such as Notepad to create the definition (a typical file extension is `.STM`), or
- automatically using the Stimulus Editor (which generates a `.STL` file extension).

See [What is the PSpice Stimulus Editor?](#) on page 48 for a description.

Note: Not all stimulus definitions require a stimulus file. In some cases, like DC and AC sources, you must use a schematic symbol and set its properties.

Include file

An include file is a user-defined file that contains:

PSpice User Guide

Things you need to know

- PSpice commands, or
- supplemental text comments that you want to appear in the PSpice output file (see [PSpice output file](#) on page 56).

Example: An include file that contains definitions, using the PSpice .FUNC command, for functions that you want to use in numeric expressions elsewhere in your design.

You can create an include file using any text editor, such as Notepad. Typically, include file names have an .INC extension.

Configuring model library, stimulus, and include files

PSpice searches model libraries, stimulus files, and include files for any information it needs to complete the definition of a part or to run a simulation.

The files that PSpice searches depend on how you configure your model libraries and other files. Much of the configuration is set up for you automatically, however, you can do the following yourself:

- Add and delete files from the configuration.
- Change the scope of a file: that is, whether the file applies to one profile only, one design only (local) or to any design (global).
- Change the search order.

Libraries are configured by editing the simulation profile. From the PSpice menu in design entry tool, choose Edit Simulation Profile, click the Configuration Files tab in the Simulation Settings dialog box, then click Library in the Category field. To find out more, refer to the *OrCAD Capture User's Guide* or the *Design Entry HDL User Guide*.

Files that PSpice generates

After reading the circuit file, netlist file, model libraries, and any other required inputs, PSpice starts the simulation. As simulation progresses, PSpice saves results to two files—the data file and the PSpice output file.

Waveform data file

The data file contains simulation results that can be displayed graphically. PSpice reads this file automatically and displays waveforms reflecting circuit response at nets, pins, and parts that you marked in your schematic (cross-probing). You can set up your design so PSpice displays the results as the simulation progresses or after the simulation completes.

For a description of how to display simulation results, see [Part four: Viewing results](#). For a description of the waveform analyzer program, see [What is waveform analysis?](#) on page 45.

After PSpice has read the data file and displays the initial set of results, you can add more waveforms and perform post-simulation analysis of the data. There are two ways to add waveforms to the display:

- From within PSpice, by specifying trace expressions.
- From within the design entry tool, by cross-probing.

PSpice output file

The PSpice output file is an ASCII text file that contains:

- the netlist representation of the circuit,
- the PSpice command syntax for simulation commands and options (like the enabled analyses),
- simulation results, and
- warning and error messages for problems encountered during read-in or simulation.

Its content is determined by:

- the types of analyses you run,
- the options you select for running PSpice, and
- the simulation control symbols (like VPRINT1 and VPLOT1, available in SPECIAL library) that you place and connect to nets in your design.

PSpice User Guide

Things you need to know

Example: Each instance of a VPRINT1 symbol placed in your schematic causes PSpice to generate a table of voltage values for the connecting net, and to write the table to the PSpice output file.

Directory structure for analog projects in Capture

The following figure shows the directory structure for analog projects.

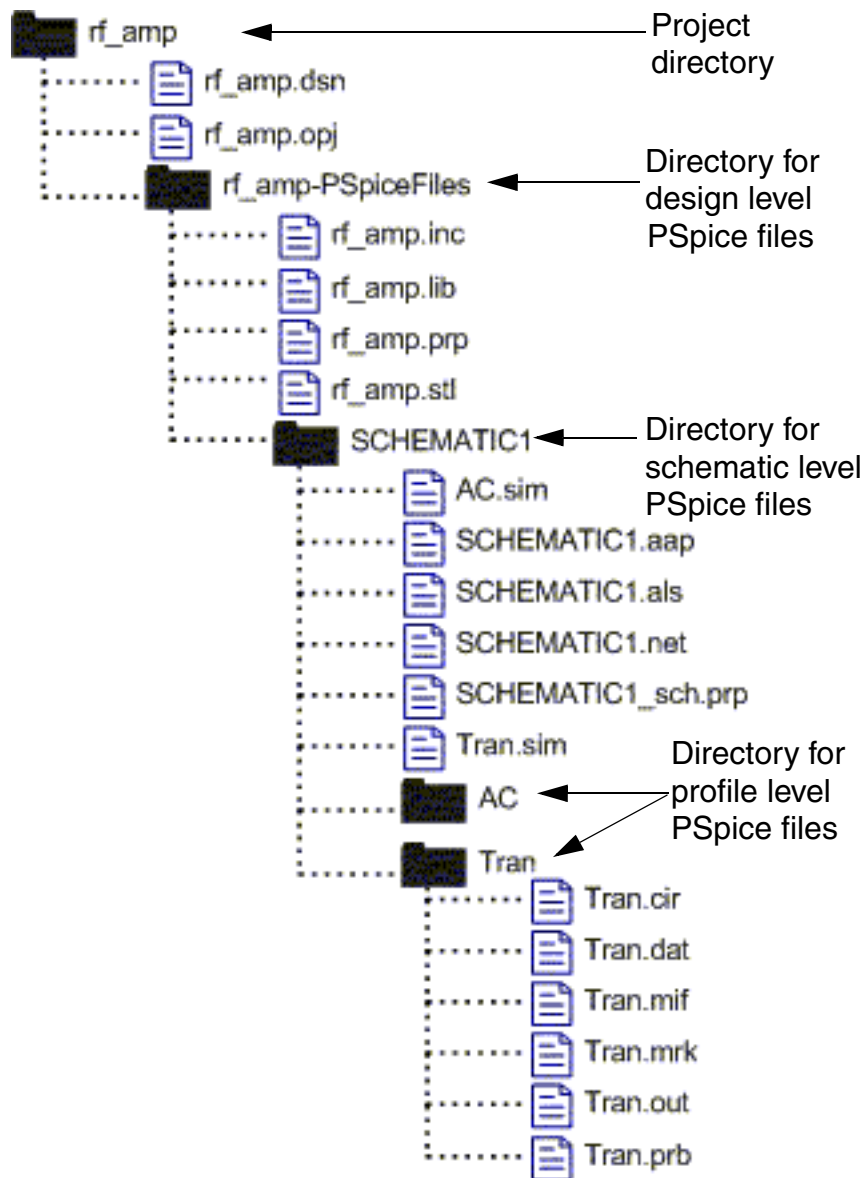


Figure 1-2 Directory structure of RF_AMP analog project

PSpice User Guide

Things you need to know

In the directory structure all the PSpice related files for the `rf_amp` project are maintained in a directory named `rf_amp-PSpiceFiles`.

- The PSpice files related to the design are maintained in the `rf_amp-PSpiceFiles` directory. For more information, see [How are files configured at the design level maintained in the directory structure for analog projects?](#) on page 59.
- The PSpice files related to the schematic named `SCHEMATIC1` are maintained in a sub-directory named `SCHEMATIC1` under the `rf_amp-PSpiceFiles` directory.
- The PSpice files related to the AC and Tran simulation profiles are maintained in the `AC` and `Tran` sub-directories under the `SCHEMATIC1` directory. For more information, see [How are files configured at the profile level maintained in the new directory structure for analog projects?](#) on page 61.

How are files configured at the design level maintained in the directory structure for analog projects?

The model libraries, stimulus files and include files configured at the design level are stored in the `<projectname>-PSpiceFiles` directory. For example, in the [Directory structure of RF AMP analog project](#) figure on page 58, the model libraries, stimulus files and include files configured at the design level are stored in the `rf_amp-PSpiceFiles` directory. The `rf_amp.stl` stimulus file in the `rf_amp-PSpiceFiles` directory is an example of a PSpice file related to the design.

You can view the paths to the model libraries, stimulus files and include files configured at the design level in the Capture Project Manager window.

Note the following:

- If you select the Retain Old Project check box when you convert an analog project that was created using Capture version 9.2.3 or older versions to the new project format, only the files configured at the design level that have the same name as the design are copied over to the `<projectname>-PSpiceFiles` directory in the location you specified for creating the project in the new format.

PSpice User Guide

Things you need to know

The files configured at the design level that do not have the same name as the design are not copied over to the `<projectname>-PSpiceFiles` directory because they are custom files. Instead, these files are read from their original location. You can view the path to the custom files configured at the design level in the Configuration Files tab of the Simulation Settings dialog box and in the Capture Project Manager window.

For example, suppose that your design name is `rf_amp`, and you have configured the following files at the design level:

- `rf_amp.inc`
- `decoder.lib`
- `rf_amp.lib`
- `rf_amp.prp`
- `rf_amp.stl`

If you select the Retain Old Project check box when you convert the analog project to the new format, only the following files are copied over to the `rf_amp-PSpiceFiles` directory in the location you specified for creating the project in the new format.

- `rf_amp.inc`
- `rf_amp.lib`
- `rf_amp.prp`
- `rf_amp.stl`

The `decoder.lib` file is read from the old project location. You can view the path to the `decoder.lib` file in the Configuration Files tab of the Simulation Settings dialog box and in the Capture Project Manager window.

For more information on converting analog projects from the old format to the new format, see *Conversion of old analog projects to new project format* in the *OrCAD Capture Online Help*.

- When you create a new simulation profile by importing the settings from another simulation profile that exists in another project, only the simulation settings are inherited from the source simulation profile. The files configured at the design level for the

PSpice User Guide

Things you need to know

source simulation profile are not copied over to the `<projectname>-PSpiceFiles` directory of the project in which you are creating the new simulation profile.

How are files configured at the profile level maintained in the new directory structure for analog projects?

The model libraries, stimulus files and include files configured at the profile level are stored in a directory that has the same name as the profile. For example, in Figure 1-3, the PSpice files related to the Tran simulation profile are maintained in the `Tran` sub-directory under the `SCHEMATIC1` directory.

PSpice User Guide

Things you need to know

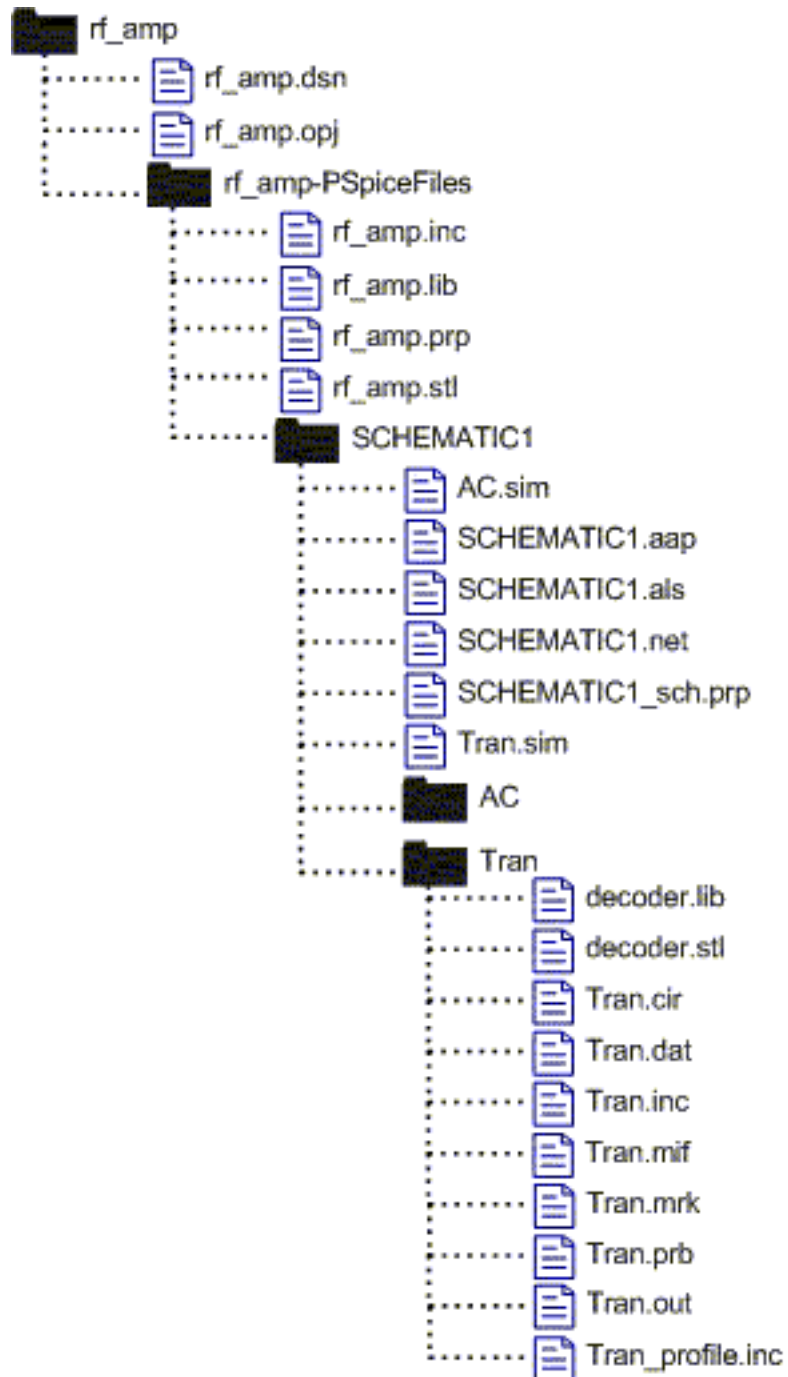


Figure 1-3 Directory structure of RF_AMP analog project with files configured for the Tran profile

PSpice User Guide

Things you need to know

An include file named `<profilename>_profile.inc` is created in the directory for the simulation profile. This file contains information on the model libraries, stimulus files and include files configured for that profile. For example, in Figure 1-3, the Tran profile directory contains a `Tran_profile.inc` include file that includes information on the `decoder.lib` model library, `decoder.stl` stimulus file and the `Tran.inc` include files configured for the Tran profile.

You must not delete the `<profilename>_profile.inc` file in the directory for a simulation profile.

Note: When you create a new simulation profile by importing the settings from another simulation profile that exists in the same project or in another project, the files configured at the profile level for the source simulation profile are copied to the directory for the new simulation profile. The files configured at the design level for the source simulation profile are not copied over to the `<projectname>-PSpiceFiles` directory of the project in which you are creating the new simulation profile.

What happens when I convert an analog project that uses a design from another project or from another location?

If you convert an analog project (created using Capture 9.2.3 or older versions) that uses a design from another project or from another location, to the new project format, the design file and all the contents of the design are copied to the current project and maintained in the new directory structure for analog projects.

What should I do if the schematic for a converted analog project uses FILESTIM n parts from the SOURCE library?

If you have specified only the name of the stimulus file as the value of the FILENAME property on a FILESTIM n part, you must specify the path to the stimulus file in the value for the FILENAME property on the FILESTIM n part.

Design Entry HDL libraries

This section introduces you to Design Entry HDL libraries and explains the structure of libraries.

A library is a collection of cells that describe:

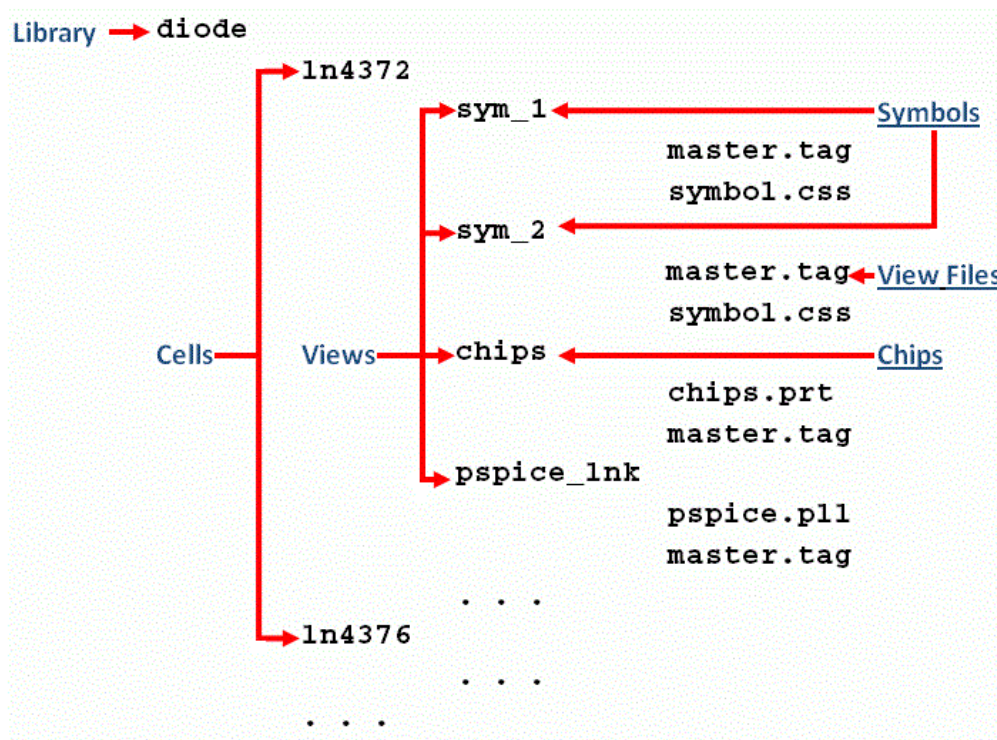
- Components of a single design.
- Components of the same technology or family. For example, LSTTL.
- Common components potentially used in many designs.

The organization of a library is *Library>Cell>View*.

A *cell* is a collection of views that describe an individual building block of a chip or system.

A *view* is a collection of files that contain information about one type of representation, such as schematic, symbolic, simulation, or layout.

Figure 1-4 Library Structure



PSpice User Guide

Things you need to know

Figure 1-4 shows the Cadence Library Structure where:

- Each individual library is stored in a directory bearing its name.
For example, the Cadence's standard DIODE library resides in the directory `<install_dir>/share/library/diode/`.
- Under each library, there are one or more cells, each residing in a separate file system directory.
For example, the files of cells 1n4372 and 1n4376 under the diode library reside in directories `<install_dir>/share/library/diode/1n4372/` and `<install_dir>/share/library/diode/1n4376/` respectively.
- Under each cell, there are files of different views, each set residing in a separate file system directory.
For example, the files related to the symbol view sym_1 reside in directory `<install_dir>/share/library/diode/1n4372/sym_1/`.

In addition, there are library-specific files that reside in the library directory.

A Design Entry HDL library can contain designs or parts, both share the same basic *Library>Cell>View* structure.

Note: Design Entry HDL power sources are supported in DE HDL-PSpice flow:

- A power symbol that has the `HDL_POWER` and `VOLTAGE` property defined can be netlisted as a voltage source by enabling a flag in `PSpice.ini`. The flag contains a keyword, `INCLUDE_POWERSOURCE`, which should be equal to one. This flag should be added in `PSpice.ini` under the `[NETLIST SETTING]` section.
- A power symbol that has the `HDL_POWER` property and the `VOLTAGE` property, which is equal to zero, is netlisted as ground source in DE HDL-PSpice Simulator flow.
- To enable user-defined ground names as valid ground sources in DE HDL-PSpice Simulator flow, define a flag in `PSpice.ini` under the `[NETLIST SETTING]` section. The flag contains a keyword, `INCLUDE_GROUNDNODES`, which should have comma-separated user-defined ground names.

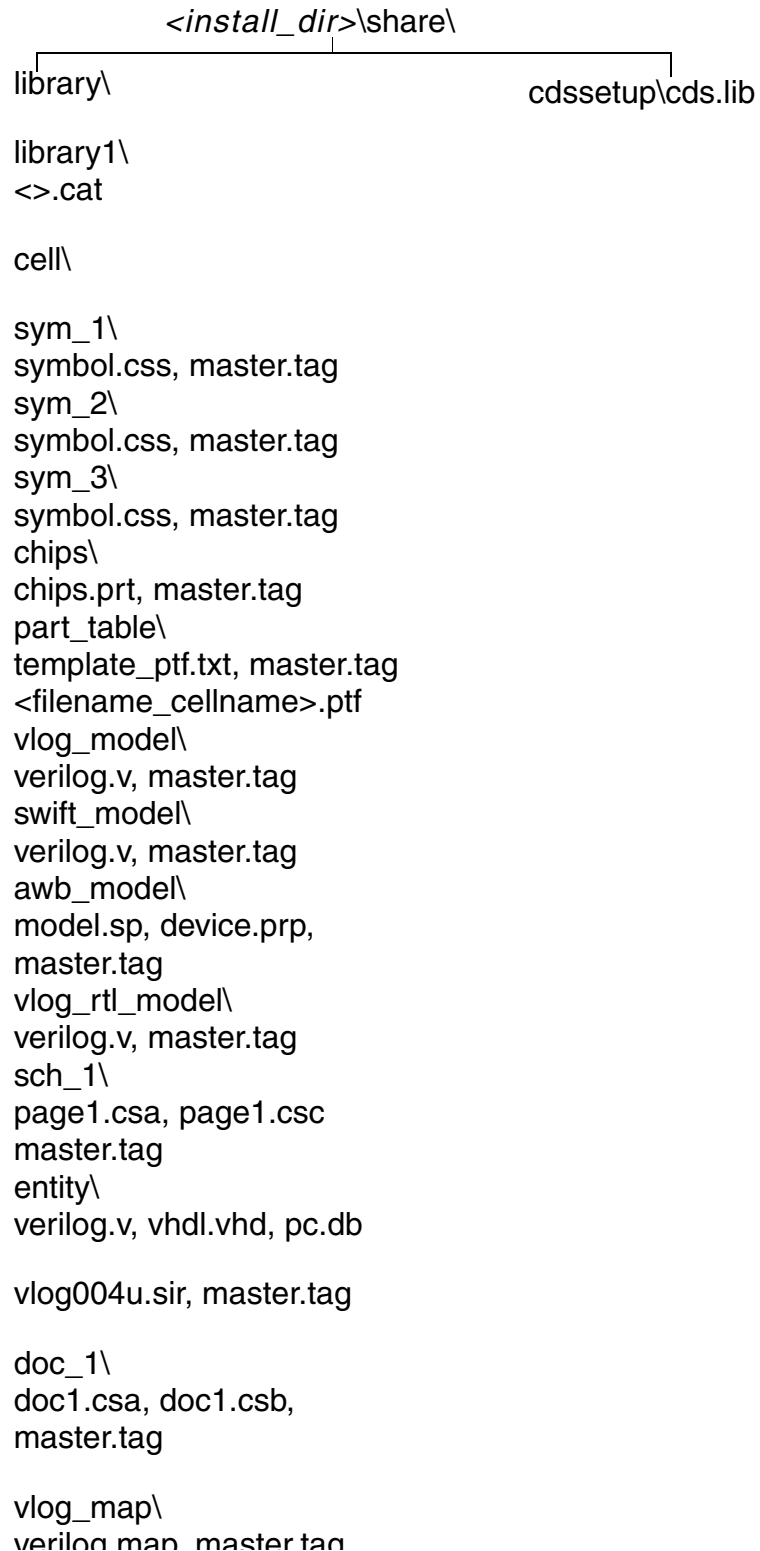
Reference Libraries

Cadence supplies a set of reference libraries, which contain views of parts belonging to several logic families. These libraries are usually stored in an area to which you do not have write permissions and are managed by a librarian. [Figure 1-5](#) on page 67 shows the directory structure of Design Entry HDL reference libraries.

PSpice User Guide

Things you need to know

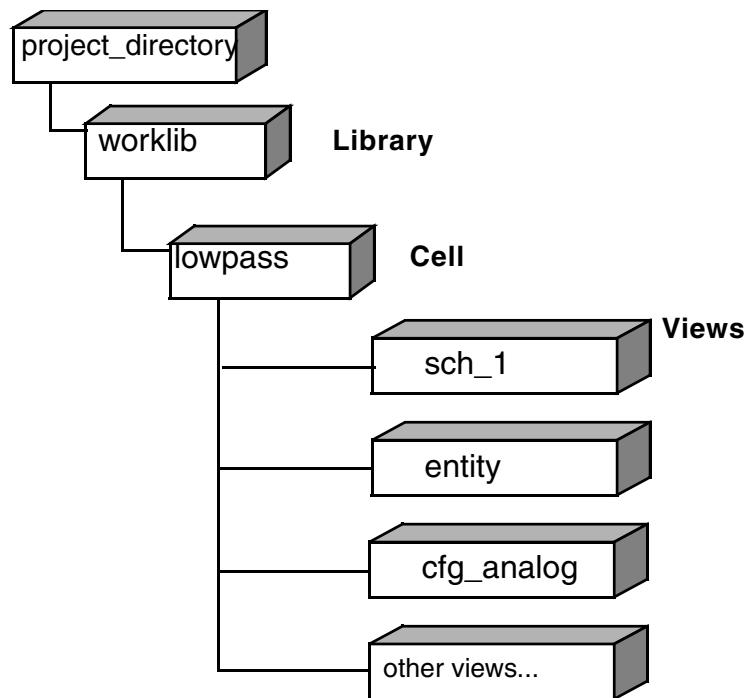
Figure 1-5 Directory structure of Design Entry HDL Libraries



Local libraries

Local libraries (also known as design libraries) are used by designers at the local project level. You can import reference libraries and change them to suit your design requirements or you can use the reference libraries as they are.

Figure 1-6 Local Library Structure



The views in a design library are described below:

View	Description
sch_1	Contains the schematics
entity	Contains a high-level description of the design
packaged	Contains the results of packaging
physical	Contains component footprints
cfg_verilog	Default configuration for Verilog simulation

PSpice User Guide

Things you need to know

View	Description
cfg_package	Default configuration for physical layout
cfg_vhdl	Default configuration for VHDL simulation
cfg_pic	Default configuration for Programmable IC simulation
cfg_mixed	Default configuration for mixed signal simulation
cfg_analog	Default configuration for analog simulation using PSpice Simulator (used in earlier releases)
psp_sim_1	Default configuration for analog simulation using PSpice Simulator (used in the new format)

PSpice model libraries

A model defines the electrical behavior of a part. On a schematic page, this correspondence is defined by a part's Implementation property, which is assigned the model name. For more information on PSpice model libraries, see [Chapter 4, "Creating and editing models."](#)

PSpice model libraries are located in the installation directory at `\TOOLS\PSPICE\LIBRARY\`. The corresponding part libraries are located in the installation directory at `\SHARE\LIBRARY\`.

The cds.lib file

Design Entry HDL is a by-reference schematic editor. This means that Design Entry HDL references all parts in the schematic from various libraries that reside at the reference or local area.

The `CDS.LIB` file defines all the libraries used in your schematic design and maps them to their physical locations.

The contents of a typical `CDS.LIB` file is given below:

```
DEFINE analog ../../library/analog
DEFINE diode ../../library/diode
```

PSpice User Guide

Things you need to know

```
DEFINE source ../../library/source  
DEFINE sourcstm ../../library/sourcstm
```

For more information on the CDS.LIB file, see the *Design Entry HDL Libraries Reference Guide*.

Encrypting PSpice Models

You can encrypt PSpice models so that users can simulate the models but cannot view the contents of your models. The encryption utility is available from the command line by using the command `PspiceEnc`. You can also access the encryption utility from the Model Editor.

PSpice 16.6 and later versions use the AES 64-bit Encryption algorithm. Earlier versions used 16-bit DES encryption algorithm. However, while decrypting, the engine detects the algorithm used for encryption and decrypts accordingly.

Note: Note the following for the encryption utility:

- Probe does not show any nodes from encrypted subcircuits.
- Encrypted parameters in `.SUBCKT` and `.MODEL` statements in a library file are not visible in the out file
- All non-encrypted subcircuit instances in an encrypted block are hidden. However, the non-encrypted subcircuit instances in unencrypted blocks are visible.
- Encrypted data from Crash log/DEDK is not exposed.
- Auto-inserted devices, such as D2A converters, A2D converters, and Power blocks are hidden if they are inserted between encrypted components.
- For auto-inserted components, circuit text is hidden from the out file to hide the node names.
- Model data is not written in the Output file if the model is associated with a hidden device.
- For `.ACCT`, device summary is hidden if encrypted devices exist in the design.
- `.OPTIONS NODE` does not show nodes from encrypted blocks and hidden devices in connectivity of visible nodes.



The encryption utility does not check for syntax error in a library.

PSpice User Guide

Things you need to know

Using PSpiceEnc

You can launch the encryption utility by using the following command:

```
PSpiceEnc -[<options>] -[mode <n>] <inputFilePath>  
          <outputFilePath>
```

The encryption utility encrypts the library file and saves the file in the same location, that is, <path of the PSpice library> specified with the command. The various command options are:

Option	Description
e, E	Encrypts a PSpice library file if the file is not already encrypted.
i, I	Indicates that only model text should be encrypted. Always used with the e or E option.
mode, Mode	Indicates the mode of encryption. The syntax being mode <n> or Mode <n>, where n can be 0, 2, 3, or 4 as described below: <ul style="list-style-type: none">❑ 0: Uses 16.5 version of encryption. The keyword is CDNENCSTART.❑ 2: Uses DES Encryption with advanced data security (available in 16.5). The keyword is CDNENCSTART_ADV1.❑ 3: Uses AES Encryption. This is the default for 16.6 and later releases. The keyword is CDNENCSTART_ADV2.
n, N	Indicates that only model text should be encrypted and the interface should be hidden. Always used with the e or E option.
p, P	Indicates that the file should be partially encrypted. The content of the input file between the \$CDNENCSTART and \$CDNENCFINISH identifiers will be encrypted.

Using Model Editor

You can launch the encryption utility from the Model Editor to encrypt a library file. To encrypt a library from the Model Editor menu:

1. From the *File* menu, choose *Encrypt Library* to open the Library Encryption dialog box.

PSpice User Guide

Things you need to know

2. In the *Library to be encrypted* text box, enter the path to the library file to be encrypted.
3. In the *Encrypted Library Folder* text box, enter the path to the folder where the encrypted library should be kept.
4. Select *Partial Encryption* if you want to encrypt the library partially. To partially encrypt a library, put the identifier `$CDNENCSTART` at the beginning and the identifier `$CDNENCFINISH` at the end of the text to be encrypted.
5. Select *Show Interfaces* to encrypt only model text and show the interfaces. The Show Interfaces check box is not available if Partial Encryption is selected.
6. Click *OK*.

The encrypted library is placed in the folder specified in the Encrypted Library Folder text box.

PSpice User Guide

Things you need to know

Simulation examples

Chapter overview

The examples in this chapter provide an introduction to the methods and tools for creating circuit designs, running simulations, and analyzing simulation results. All analyses are performed on the same example circuit to clearly illustrate analysis setup, simulation, and result-analysis procedures for each analysis type.

This chapter includes the following sections:

- [Example circuit creation](#) on page 76
- [Performing a bias point analysis](#) on page 96
- [DC sweep analysis](#) on page 99
- [Transient analysis](#) on page 108
- [AC sweep analysis](#) on page 116
- [Parametric analysis](#) on page 123
- [Performance analysis](#) on page 134

Example circuit creation

The circuit creation examples are for the design entry tools¹, OrCAD Capture and Design Entry HDL.

Using Capture

This section describes how to use OrCAD Capture to create the simple diode clipper circuit shown in Figure 2-1.

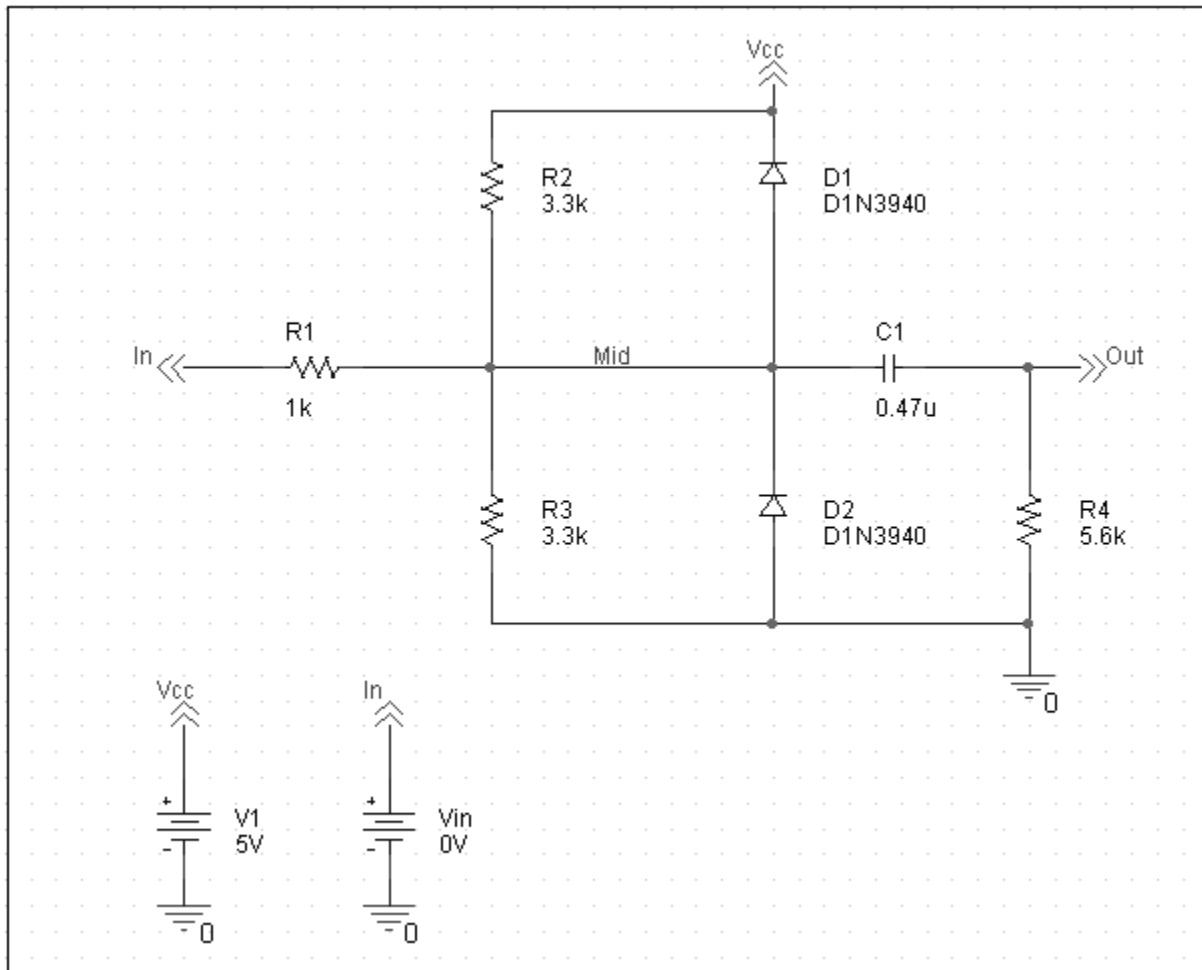


Figure 2-1 Diode clipper circuit.

1. In this guide, design entry tool is used for both OrCAD Capture and Design Entry HDL. Any differences between the two tools is mentioned, if necessary.

To create a new PSpice¹ project

1. From the Windows Start menu, choose the Cadence release and then the Capture shortcut to start Capture.
2. In the Project Manager, choose *File – New – Project*.
3. Select *Analog or Mixed-Signal Circuit Wizard*.
4. In the Name text box, enter the name of the project (CLIPPER).


Note: Do not use a period (.) in the name of your projects or designs.

5. Use the Browse button to select the location for the project files, then click OK.
6. In the Create PSpice Project dialog box, select Create a blank project.
7. Click OK.

No special libraries need to be configured at this time. A new page will be displayed in Capture and the new project will be configured in the Project Manager.

To place the voltage sources

1. In Capture, switch to the schematic page editor.
2. Choose *Place – Part* to display the Place Part dialog box.
3. Add the library for the parts you need to place:

- a. Click the *Add Library* button ().
- b. Select SOURCE.OLB (from the PSpice library) and click Open.


Note: There are two sets of library files supplied with Capture and PSpice. The standard schematic part libraries are found in the directory \TOOLS\CAPTURE\LIBRARY. The part libraries that are designed for simulation with PSpice are found in the sub-directory \TOOLS\CAPTURE\LIBRARY\PSPICE. In order to have access to specific parts, you must first configure the

-
1. Depending on the license available, you will access either PSpice or PSpice Simulator.


PSpice User Guide

Simulation examples

library in Capture using the Add Library function.

4. In the *Part* text box, type `VDC`.
5. Click the *Place Part* button ().
6. Move the pointer to the correct position on the schematic page (see Figure 2-1) and click to place the first part.
7. Move the cursor and click again to place the second part.
8. Right-click and choose End Mode to stop placing parts.

To place the diodes

1. Add the library for the parts you need to place:
 - a. Click the *Add Library* button ().
 - b. Select `DIODE.OLB` (from the PSpice library) and click Open.


Important

If you are working with the Lite version of Capture, add `EVAL.OLB` instead of `DIODE.OLB`.

2. In the Part text box, type `D1N39` to display a list of diodes.

When placing parts:

- Leave space to connect the parts with wires.
- You will change part names and values that do not match those shown in Figure 2-1 later in this section.

3. Select `D1N3940` from the Part List and click *Place Part* ().

Important

If you are working with the Lite version of Capture, select `D1N914` from the Part List.



4. Press R to rotate the diode to the correct orientation.
5. Click to place the first diode (D1), then click to place the second diode (D2).

6. Right-click and choose End Mode to stop placing parts.

To move the text associated with the diodes (or any other object)


1. Click the text to select it, then drag the text to a new location.

To place the other parts

1. Add the library for the parts you need to place:
 - a. Click the Add Library button ().
 - b. Select `ANALOG.OLB` (from the PSpice library) and click Open.
2. Follow similar steps as described for the diodes to place the parts listed below, according to [Figure 2-1](#) on page 76. The part names you need to type in the Part name text box of the Place Part dialog box are shown in parentheses:
 - resistors (R)
 - capacitor (C)
3. To place the off-page connector parts (`OFFPAGELEFT-R`), click the Place Off-Page Connector button () on the tool palette.
4. Add the library for the parts you need to place:
 - a. Click the Add Library button.
 - b. Select `CAPSYM.OLB` (from the Capture library) and click Open.
5. Place the off-page connector parts according to [Figure 2-1](#) on page 76.

Note: To rotate the part so the arrows are pointing in the correct direction, place the part, select it, then press *R* one or more times to rotate the part to the desired orientation.

To place the zero ground part

1. To place the ground parts (0), click the GND button  on the tool palette.

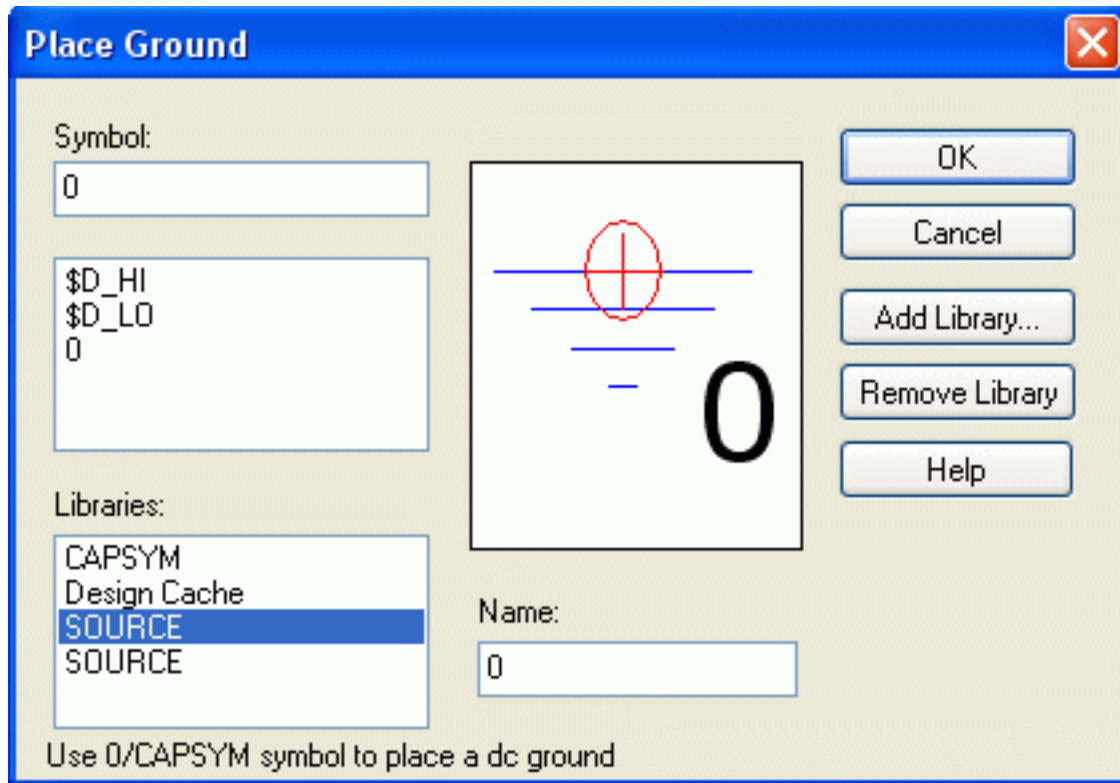


Figure 2-2 Tool Palette

2. Add the library for the parts you need to place:
 - a. Click the Add Library button.
 - b. Select `SOURCE.OLB` (from the PSpice library) and click Open.
3. Place the 0 ground part from `SOURCE.OLB` as shown in [Figure 2-1](#) on page 76.

Important

You must use the 0 (zero) ground part from the CAPSYM.OLB part library. You can use any other ground part only if you change its name to 0 (zero).

To connect the parts

1. From the Place menu, choose Wire to begin wiring parts.

The pointer changes to a crosshair.

2. Click the connection point (the very end) of the pin on the off-page connector at the input of the circuit.
3. Click the nearest connection point of the input resistor R1.

To stop wiring, right-click and choose End Wire. The pointer changes to the default arrow.

Clicking on any valid connection point ends a wire. A valid connection point is shown as a *box* (see Figure 2-4).

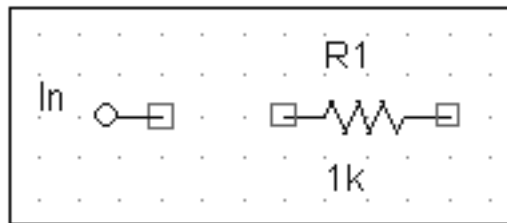




Figure 2-4 Connection Points

If you make a mistake when placing or connecting components:

From the Edit menu, choose Undo, or click .

4. Connect the other end of R1 to the output capacitor.
5. Connect the diodes to each other and to the wire between them:
 - a. Click the connection point of the cathode for the lower diode.
 - b. Move the cursor straight up and click the wire between the diodes. The wire ends, and the junction of the wire segments becomes visible.
 - c. Click again on the junction to continue wiring.
 - d. Click the end of the upper diode's anode pin.
6. Continue connecting parts until the circuit is wired as shown in [Figure 2-1](#) on page 76.

To assign names (labels) to the nets

1. Choose *Place – Net Alias* to display the Place Net Alias dialog box. You can also click the Net Alias button ().
2. In the Name text box, type Mid.
3. Click OK.
4. Place the net alias on any segment of the wire that connects R1, R2, R3, the diodes, and the capacitor. The lower left corner of the net alias must touch the wire.
5. Right-click and choose End Mode to quit the Net Alias function.



Tip

It is recommended that special characters should not be used for naming nets, nodes, projects, or libraries. While naming nets, characters such as ? (question mark), @ (at symbol), ~ (telda), #(hash), & (ampersand), %(percent sign), and “ (quotation marks) should not be used. These might cause the netlister to fail. Other special characters such as ! (exclamation mark), ()(parenthesis), < (smaller than), = (equal), > (greater than), [](square parenthesis), and * (asterix) are also considered as illegal for naming nets.

To assign names (labels) to the off-page connectors

Label the off-page connectors as shown in [Figure 2-1](#) on page 76.

1. Double-click the name of an off-page connector to display the Display Properties dialog box.
2. In the Name text box, type the new name.
3. Click OK.
4. Select and relocate the new name as desired.

To assign names to the parts

1. Double-click the second VDC part to display the Parts spreadsheet.

PSpice User Guide

Simulation examples

2. Click in the first cell under the Reference column.
3. Type in the new name `Vin`.
4. Click Apply to update the changes to the part, then close the spreadsheet.
5. Continue naming the remaining parts until your schematic looks like [Figure 2-1](#) on page 76.



Tip

A more efficient way to change the names, values and other properties of several parts in your design is to use the Property Editor, as follows:

- a. Select all of the parts to be modified by pressing *Ctrl* and clicking each part.
- b. From the Edit menu, choose Properties.

The Parts Spreadsheet appears.

Change the entries in as many of the cells as needed, and then click Apply to update all of the changes at once.

To change the values of the parts

1. Double-click the voltage label (0V) on V1 to display the Display Properties dialog box.
2. In the Value text box, type 5V.
3. Click OK.
4. Continue changing the Part Value properties of the parts until all the parts are defined as in [Figure 2-1](#) on page 76.

Your schematic page should now have the same parts, wiring, labels, and properties as [Figure 2-1](#) on page 76.

Using European notation

You can use the European notation, such as 2K2, to assign values to resistors, capacitors, and inductors. Assigning values in this format reduces the possibility of errors while reading component values

PSpice User Guide

Simulation examples

from screen or from a print out of the schematic. The table below lists the alphabets that can be used in the 2K2 notation.

Alphabet used..	Stands for..
F(f)	femto
P(p)	pico
N(n)	nano
U(u)	micro
M(m)	milli
K(k)	kilo
MEG(meg)	mega
G(g)	giga
T(t)	tera

Some examples and their explanations are listed in the table below.

Notations	Equivalent to...
2M2	2.2 M
2MEG2	2.2 MEG
4L5	inductor of 4.5 henry
2K2	2.2K
12C2	capacitor of 12.2 farads
5R4	resistor of 5.4 ohms
2p2	2.2 p (2.2×10^{-12})

To ignore a part in simulation

You can add the property `PSPNETLIST_IGNORE` to a part and set it to `TRUE` to ignore the part while simulating the design. In the Property Editor:

1. Click New Property

PSpice User Guide

Simulation examples

2. Specify PSPNETLIST_IGNORE as the Name
3. Specify TRUE as the Value.

The part is greyed out in the schematic and ignored while performing simulation.

To save your design

1. From the File menu, choose Save.

Using Design Entry HDL

This section describes how to use Project Manager to create a design project and then use Design Entry HDL to create the simple diode clipper design shown in Figure 2-5.

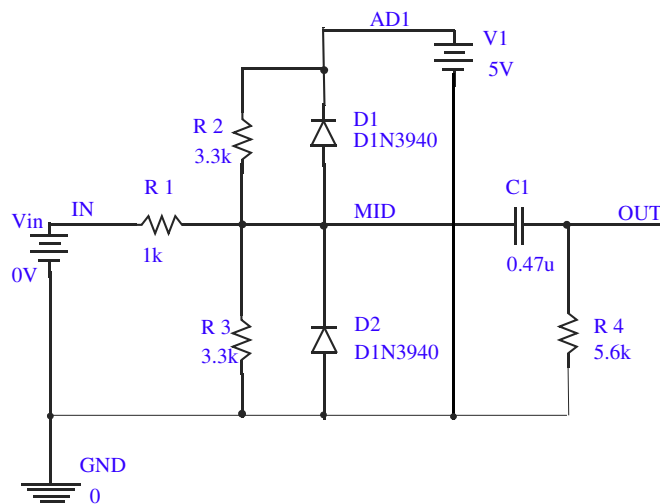


Figure 2-5 Diode clipper design

Note: The PSpice Simulator menu items are not enabled by default in Design Entry HDL. To enable the menu items, choose *PSpice Simulator-Enable PSpice Simulation*.

To create a new design project

1. Invoke Project Manager.

PSpice User Guide

Simulation examples

2. In Project Manager, choose *File – New – New Design*. Alternatively, click the *Create Design Project* button. The New Project Wizard appears.
3. In the *Name* text box, enter the name of the project as `clipper`.
Note: The project name can only have lower-case letters, numbers, and the underscore (`_`).
4. In the *Location* text box, enter the path to the directory where you want to create the project
5. Click *Next*. The Project Libraries dialog box appears.
6. Select `ANALOG` from the list of Available Libraries, and click *Add*. The `ANALOG` library is added to the Project Libraries list.
7. Add the following libraries as described in step 6 above:
 - `diode`
 - `source`
 - `sourcstm`
8. Click *Next*. The *Design Name* dialog box appears.
9. In the *Design Name* text box, enter the name of the top level design `clipper`.
Note: The design name can only have lower-case letters, numbers, and the underscore (`_`).
10. Click *Next*. The Summary dialog box displays the project details.
11. Click *Finish* to create the project.

To create the design

To create the design, you should invoke the Design Entry HDL schematic editor.

1. In Project Manager, click on the *Design Entry* button. Design Entry HDL appears.
2. Choose *View – Toolbar*.
The Customize dialog box appears.

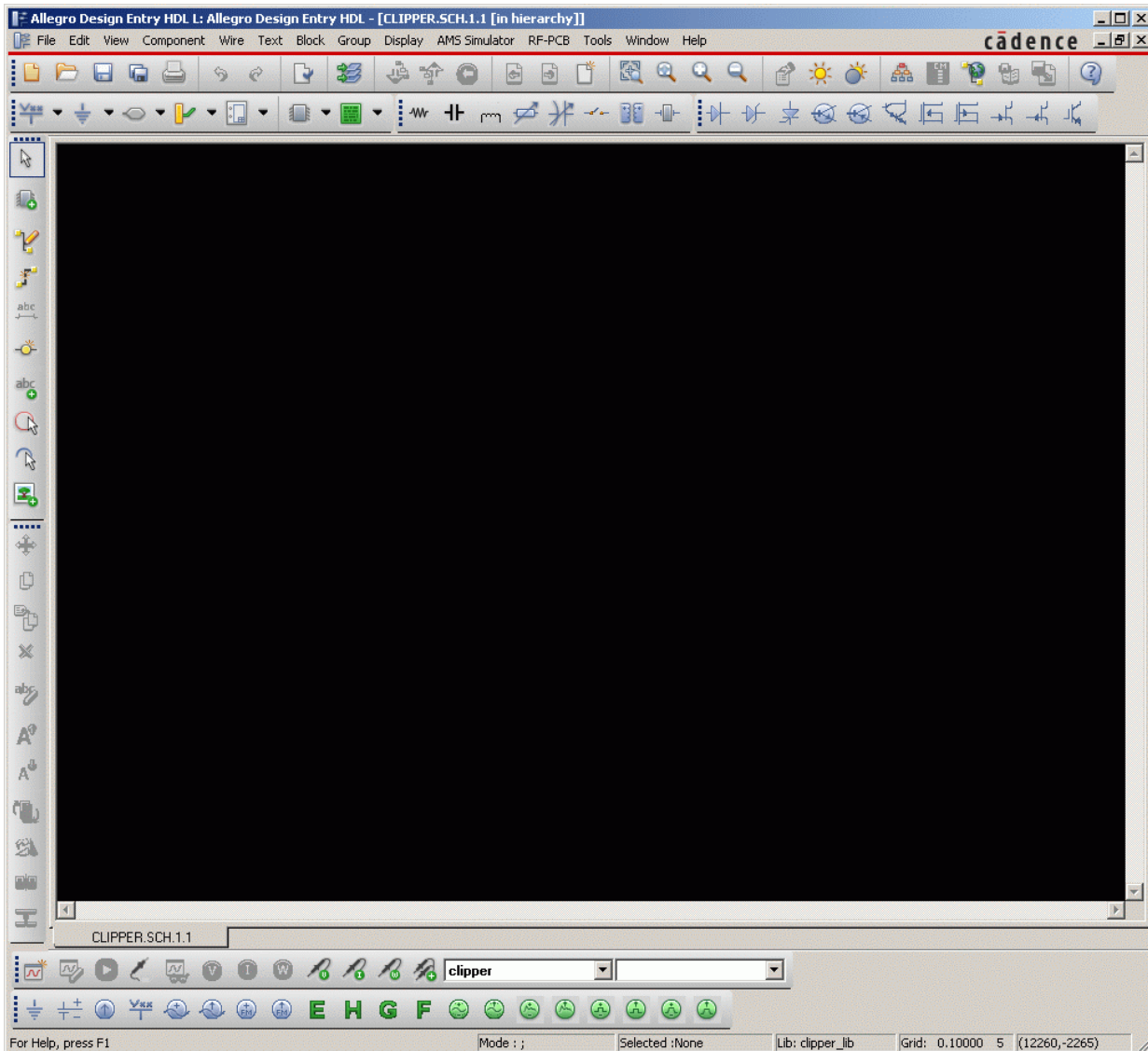
PSpice User Guide

Simulation examples

3. Select the *Toolbars* tab.
4. Select the check box against the *Add, Edit, Analog, Discrete, Passive* and *Source* toolbars and click *OK*.

The toolbars are displayed in Design Entry HDL.

5. Drag the toolbars and dock them as shown in the figure below.

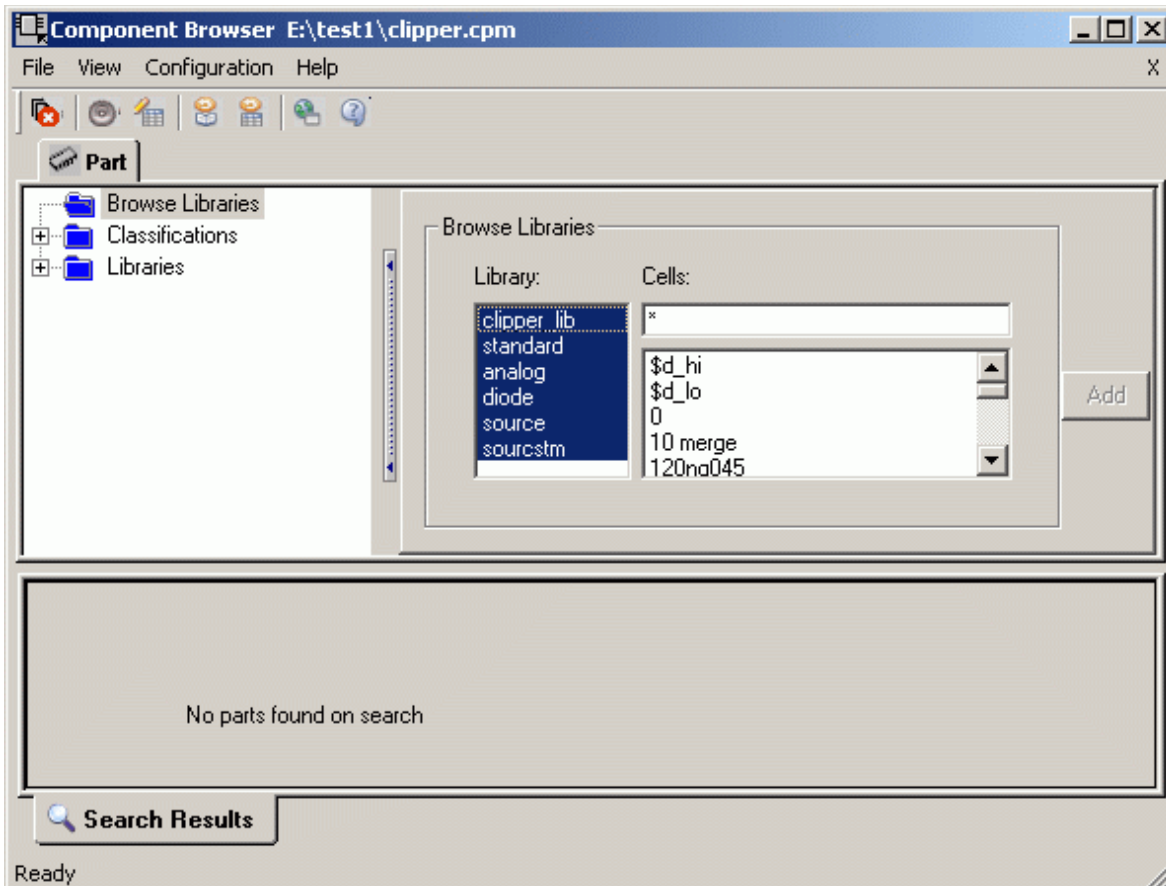


PSpice User Guide

Simulation examples

To place the voltage sources

1. Choose *Component – Add*. The Component Browser appears.



2. Select *source* from the *Library* list.
3. In the *Cells* list box, select *VDC*.



Tip

Type a few characters of the part name you want to select in the *Cells* box to find the part.

4. Click *Add*.
5. Move the pointer to the correct position on the schematic page (see [Figure 2-5](#) on page 85) and click to place the first part.
6. Move the cursor and click again to place the second part.
7. Right-click and choose *Done* to stop placing parts.

PSpice User Guide

Simulation examples

Note: The Design Entry HDL libraries are located at the directory `<install_dir>\share\library`. To have access to specific parts of a library, you must first add the library to list of Project Libraries.

To add a library:

- a. Click on the *Setup* icon in Project Manager. The Project Setup window appears.
- b. Select the *Global* tab.
- c. Select the library you want to add from the *Available Libraries* list.
- d. Click *Add*. The library gets added to the Project Libraries list.
- e. Click *OK*.

To place the diodes

1. In the Component Browser, choose `diode` from the *Library* list.
2. In the *Cells* box, type `D1N39*` to display a list of diodes that begin with `D1N39`.
3. Select `D1N3940` and click *Add*.
4. Right-click on the Design Entry HDL design area and choose *Rotate* to rotate the diode to the correct orientation.
5. Click to place the first diode (D1), then click to place the second diode (D2).

When placing parts:

- Leave space to connect the parts with wires.
- You will change part names and values that do not match those shown in Figure [2-5](#) later in this section.

If you make a mistake when placing parts:

- Choose *Edit – Move*. Click on the component and move the mouse pointer to the location where you want to place the part.

6. Right-click and choose *Done* to stop placing parts.

For each instance of a part you place, Design Entry HDL automatically assigns a `PATH` property. This property has a unique value that helps identify the instance. Values are `I1`, `I2`, `I3`....`In`.

To place the other parts

1. Choose *Component – Add*, if needed. Component Browser appears.
2. Select *analog* from the Library list.
3. Follow similar steps as described for the diodes to place the parts listed below, as in shown in [Figure 2-1](#) on page 76. The part names you need to select in the Cells list box of Component Browser are shown in parentheses:
 - resistors (R)
 - capacitor (C)
4. Select `source` from the *Library* list in the Component Browser.
5. Select `0` in the *Cells* list box and place the ground part (`0`) as shown in [Figure 2-5](#) on page 85.

Important

You must use the `0` (zero) ground part from the `SOURCE` library. You can use any other ground part only if you change its name to `0` (zero).

To connect the parts

1. Choose *Wire – Draw* to begin wiring parts.

The pointer changes to a crosshair.
2. Click the connection point (the very end) of the pin on `Vin` (the `VDC` part at the input of the design).
3. Click the nearest connection point of the input resistor `R1`.
4. Connect the other end of `R1` to the output capacitor.
5. Connect the diodes to each other and to the wire between them:

PSpice User Guide

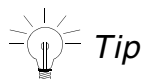
Simulation examples

- a. Click the connection point of the cathode for the lower diode.
 - b. Move the cursor straight up and click the wire between the diodes. The wire ends, and the junction of the wire segments becomes visible.
 - c. Click again on the junction to continue wiring.
 - d. Click the end of the upper diode's anode pin.
6. Continue connecting parts until the design is wired as shown in [Figure 2-5](#) on page 85.

To stop wiring, right-click and choose Done. The mouse pointer changes to the default arrow.

To assign names (labels) to the nets

1. Choose *Wire – Signal Name* to display the Signal Name dialog box.
2. Select the *Queue* option.
3. In the Signal Names text box, type IN, MID, AD1 and OUT.
4. Click on any segment of the wire that connects Vin (the VDC part at the input of the design) and the input resistor R1. The name IN is assigned to the wire.
5. Click on any segment of the wire that connects the resistors, the diodes, and the capacitor. The name MID is assigned to the wire.
6. Click on the wire that connects R2 and V1. The name AD1 is assigned to the wire.
7. Click on the wire that extends to the right of the design from the capacitor C1. The name OUT is assigned to the wire.
8. Close the Signal Name dialog box.



It is recommended that special characters should not be used for naming nets, nodes, projects, or libraries. While naming nets, characters such as ? (question mark), @ (at symbol), ~ (tilda), #(hash), & (ampersand), %(percent sign), and “ (quotation marks) should not be used. These

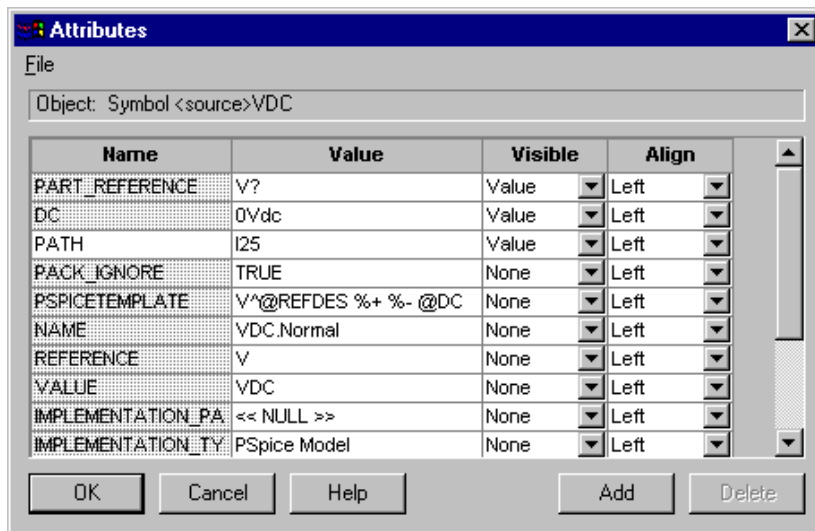
PSpice User Guide

Simulation examples

might cause the netlister to fail. Other special characters such as ! (exclamation mark), () (parenthesis), < (smaller than), = (equal), > (greater than), [] (square parenthesis), and * (asterisk) are also considered as illegal for naming nets.

To change the values of the parts

1. Choose *Text – Attributes*.
2. Click on V1 to display the Attributes dialog box.



3. Click the Value text box against the VALUE property, and type 5V.
4. From the *Visible* list of the VALUE property, choose *Visible*.
5. Click *OK*.
6. Continue changing the VALUE properties of the parts until all the parts are defined as in [Figure 2-5](#) on page 85.

Your schematic page should now have the same parts, wiring, labels, and properties as in [Figure 2-5](#) on page 85.

To save your design

1. From the File menu, choose Save.

When you save a design, Design Entry HDL runs the checks you specify from a list available at *Tools – Options – Check*. Design Entry HDL also runs another set of checks for connectivity errors.

Using Design Templates

PSpice comes with a set of design templates covering basic electronics circuits and SMPS topologies. These design templates cover the range of analog, digital, and mixed designs. You can use the design templates, which are a combination of design and simulation profiles, as a starting point for new designs. These templates are also suitable for learning and demonstration purposes.

When you create a new project, you can select the *Create based upon and existing project* in the Create PSpice Project dialog box to select from a list of large number of design templates.

Note: The Allegro Design Entry HDL templates are available in the `<Cadence_installation>\tools\pspice\concept_samples\design_examples` directory. You can click *Browse* to locate and open any of the available templates. The OrCAD Capture templates are available in the `<Cadence_installation>\tools\pspice\capture_samples\design_examples` directory.

The design templates available under various design categories are:

Analog circuits

- Basic electronics circuits
 - Op-Amp based Differentiator and Integrator
 - Clipper Circuits:
 - Negative Peak Clipper
 - Symmetrical Clipper
 - Clamper Circuits:
 - Positive Peak Clamper
 - Negative Peak Clamper
 - Zener Diode Circuits:

PSpice User Guide

Simulation examples

- Voltage Regulator
- Voltage Clipper
- Voltage multipliers
 - Half Wave Voltage Doubler
 - Full Wave Voltage Doubler
- Switch Mode Power Supplies(SMPS)
 - DC-DC Converters:
 - Buck
 - Boost
 - Buck-Boost
 - Flyback
 - Single Switch Forward Converter
 - Double Switch Forward Converter

Digital circuits

- Counters
 - Mod-10
 - Ring
 - Ripple
 - Ripple-Down
 - Up-Down
 - Johnson
 - Decade
- Shift registers
 - Left-Right
 - Parallel In-Serial Out
 - Serial In-Parallel Out

Finding out more about setting up your design

About setting up a design for simulation

For a checklist of all of the things you need to do to set up your design for simulation, and how to avoid common problems, see [Chapter 3, “Preparing a design for simulation.”](#)

Running PSpice

When you perform a simulation, PSpice generates an output file (*.OUT).

While PSpice is running, the progress of the simulation appears and is updated in the PSpice simulation output window (see [Figure 2-6](#)).

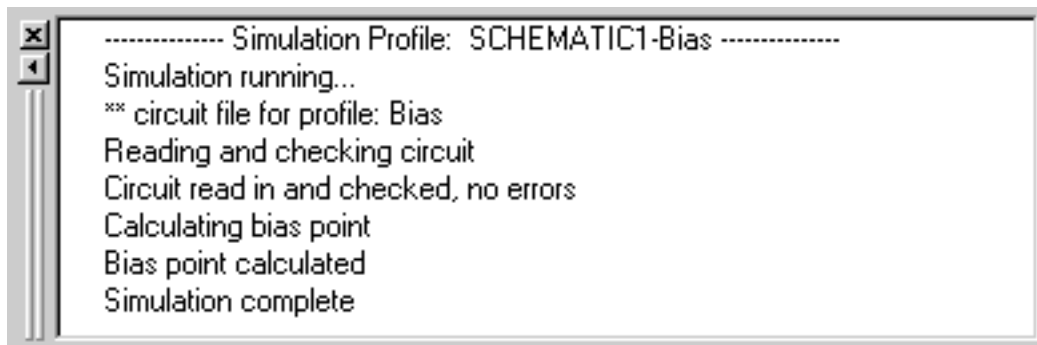
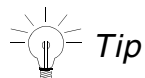


Figure 2-6 PSpice simulation output window.

You can set up a simulation profile to run one analysis at a time. To run multiple analyses (for example, both DC sweep and transient analyses), set up a batch simulation. For more information, see [Chapter 8, “Setting up analyses and starting simulation.”](#)



Tip

If you have McAfee anti-virus installed on your system, running PSpice from Capture might slow the response time of Capture. To ensure that McAfee does not slow down Capture, exclude capture.exe from scanning operations. Refer to the Help file of your anti-virus software to learn how to exclude files from scanning.

Performing a bias point analysis

To set up a bias point analysis in Capture

1. In Capture, switch to `CLIPPER.OPJ` in the schematic page editor.
2. From the PSpice menu, choose New Simulation Profile to display the New Simulation dialog box.
3. In the Name text box, type `Bias`.
4. From the Inherit From list, select None, then click Create.

The Simulation Settings dialog box appears.

The root schematic listed is the schematic page associated with the simulation profile you are creating.

5. From the Analysis type list, select Bias Point.
6. Click OK to close the Simulation Settings dialog box.

To simulate the circuit from within Capture

1. From the PSpice menu, choose Run.

PSpice simulates the circuit and calculates the bias point information.

Note: Because waveform data is not calculated during a bias point analysis, you will not see any plots displayed in the Probe window for this simulation. To find out how to view the results of this simulation, see [Using the simulation output file](#) on page 98 file below.

To set up a bias point analysis in Design Entry HDL

1. In Design Entry HDL, choose *PSpice Simulator – New Simulation Profile* to display the New Simulation dialog box.
2. In the Name text box, type `Bias`.
3. From the *Inherit From* list, select *none*, then click *Create*.

The Simulation Settings dialog box appears.

PSpice User Guide

Simulation examples

The root schematic listed is the schematic page associated with the simulation profile you are creating.

4. From the *Analysis type* list in the *Analysis* tab, select *Bias Point*.
5. Click OK to close the Simulation Settings dialog box.

To simulate the design from within Design Entry HDL

1. Choose *PSpice Simulator – Run*.

PSpice simulates the design and calculates the bias point information.

Note: Because waveform data is not calculated during a bias point analysis, you will not see any plots displayed in the Probe window for this simulation. To find out how to view the results of this simulation, see [Using the simulation output file](#) on page 98 below.

Using the simulation output file

The simulation output file acts as an audit trail of the simulation. This file optionally echoes the contents of the circuit file as well as the results of the bias point calculation. If there are any syntax errors in the netlist declarations or simulation commands, or anomalies while performing the calculation, PSpice writes error or warning messages to the output file.

To view the simulation output file

1. In PSpice, from the View menu, choose Output File.

Figure 2-7 shows the results of the bias point calculation as written in the simulation output file.

```
**** 05/23/07 10:04:42 ***** PSpice 16.0.0 (July 2006) ***** ID# 1813392 **
** Profile: 'SCHEMATIC1-Bias' [ D:\work\vb\CLIPPER-PSpiceFiles\SCHEMATIC1\Bias.sin ]

****      CIRCUIT DESCRIPTION
*****

** Creating circuit file 'Bias.cir'
** WARNING: THIS AUTOMATICALLY GENERATED FILE MAY BE OVERWRITTEN BY SUBSEQUENT SIMULATIONS

*Libraries:
* Profile Libraries :
* Local Libraries :
* From [PSPICE NETLIST] section of D:\Cadence\SPB_16.0\tools\PSpice\PSpice.ini file:
.lib 'non.lib'

*Analysis directives:
.PROBE V(alias(*)) I(alias(*)) U(alias(*)) D(alias(*)) NOISE(alias(*))
.INC "..\SCHEMATIC1.net"

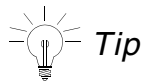
**** INCLUDING SCHEMATIC1.net ****
* source CLIPPER
V_V1      VCC 0 5V
V_Vin     IN 0 0V
D_D1      MID VCC D1N3940
D_D2      0 MID D1N3940
R_R1      IN MID 1k
R_R2      MID VCC 3.3k
R_R3      0 MID 3.3k
R_R4      0 OUT 5.6k
C_C1      MID OUT 0.47u

**** RESUMING Bias.cir ****
.END
!
**** 05/23/07 10:04:42 ***** PSpice 16.0.0 (July 2006) ***** ID# 1813392 **
```

Figure 2-7 Simulation output file.

2. When finished, close the window.

PSpice measures the current through a two-terminal device into the first terminal and out of the second terminal. For voltage sources, current is measured from the positive terminal to the negative terminal; this is opposite to the positive current flow convention and results in a negative value in the output file.



The out file displays different groups such as text, numbers, comments, expressions, operator, and keyword in easy to read colors. You can also specify your own color schemes for the file by editing the `SpiceSyntax.ini` file in the `<installation>/tools/pspice` directory.

Finding out more about bias point calculations

To find out more about this...	See this...
Bias point calculations	Bias point on page 487

DC sweep analysis

You can visually verify the DC response of the clipper by performing a DC sweep of the input voltage source and displaying the waveform results in the Probe window in PSpice. This example sets up DC sweep analysis parameters to sweep V_{in} from -10 to 15 volts in 1 volt increments.

Setting up and running a DC sweep analysis

To set up and run a DC sweep analysis

1. In the design entry tool¹, from the PSpice menu, choose New Simulation Profile.

The New Simulation dialog box appears.

2. In the Name text box, type `Example`.

PSpice User Guide

Simulation examples

3. From the Inherit From list, select Schematic1-Bias, then click Create.

The Simulation Settings dialog box appears.

4. Click the Analysis tab.
5. From the Analysis type list, select DC Sweep and enter the values shown in Figure [2-8](#).

Note: The default settings for DC Sweep simulation are Voltage source as the swept variable type and Linear as the sweep type. To use a different swept variable type or sweep type, choose

-
1. In this guide, design entry tool is used for both OrCAD Capture and Design Entry HDL. Any differences between the two tools is mentioned, if necessary. Depending on the license available, you will access either PSpice or PSpice Simulator.

different options under Sweep variable and Sweep type.

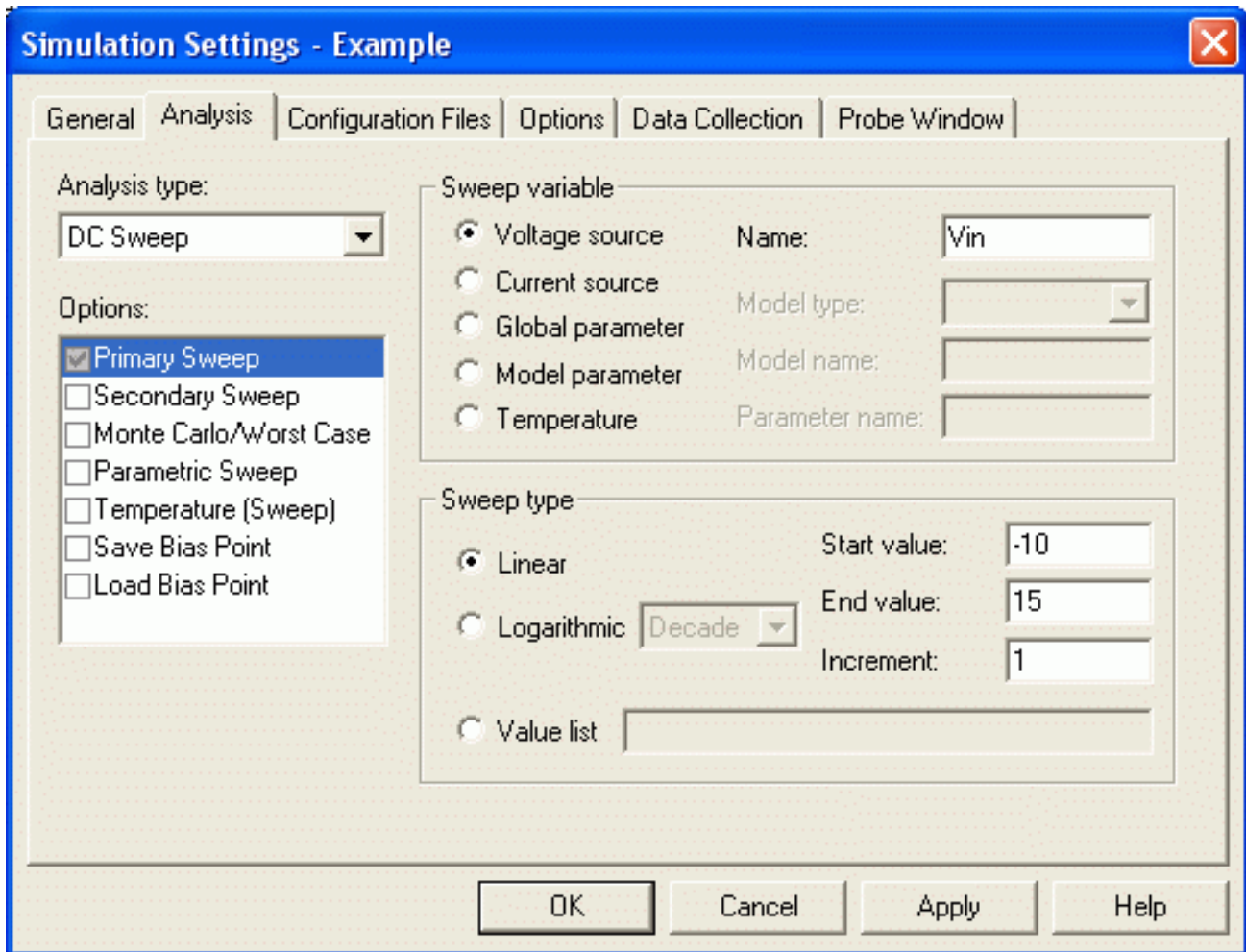


Figure 2-8 DC Sweep analysis settings

6. Click OK to close the Simulation Settings dialog box.
7. From the File menu, choose Save.
8. From the PSpice menu, choose Run to run the analysis.

Displaying DC analysis results

Probe windows can appear during or after the simulation is finished.

PSpice User Guide

Simulation examples

To plot voltages at nets In and Mid

1. From PSpice's Trace menu, choose Add Trace.
2. In the Add Traces dialog box, select V(In) and V(Mid).
3. Click OK.

To display a trace using a marker or probe

1. In Capture's PSpice menu, point to Markers and choose Voltage Level. In Design Entry HDL, choose *Probes - Voltage Probe* from the PSpice menu.
2. Click to place a marker on net Out, as shown in Figure 2-9.

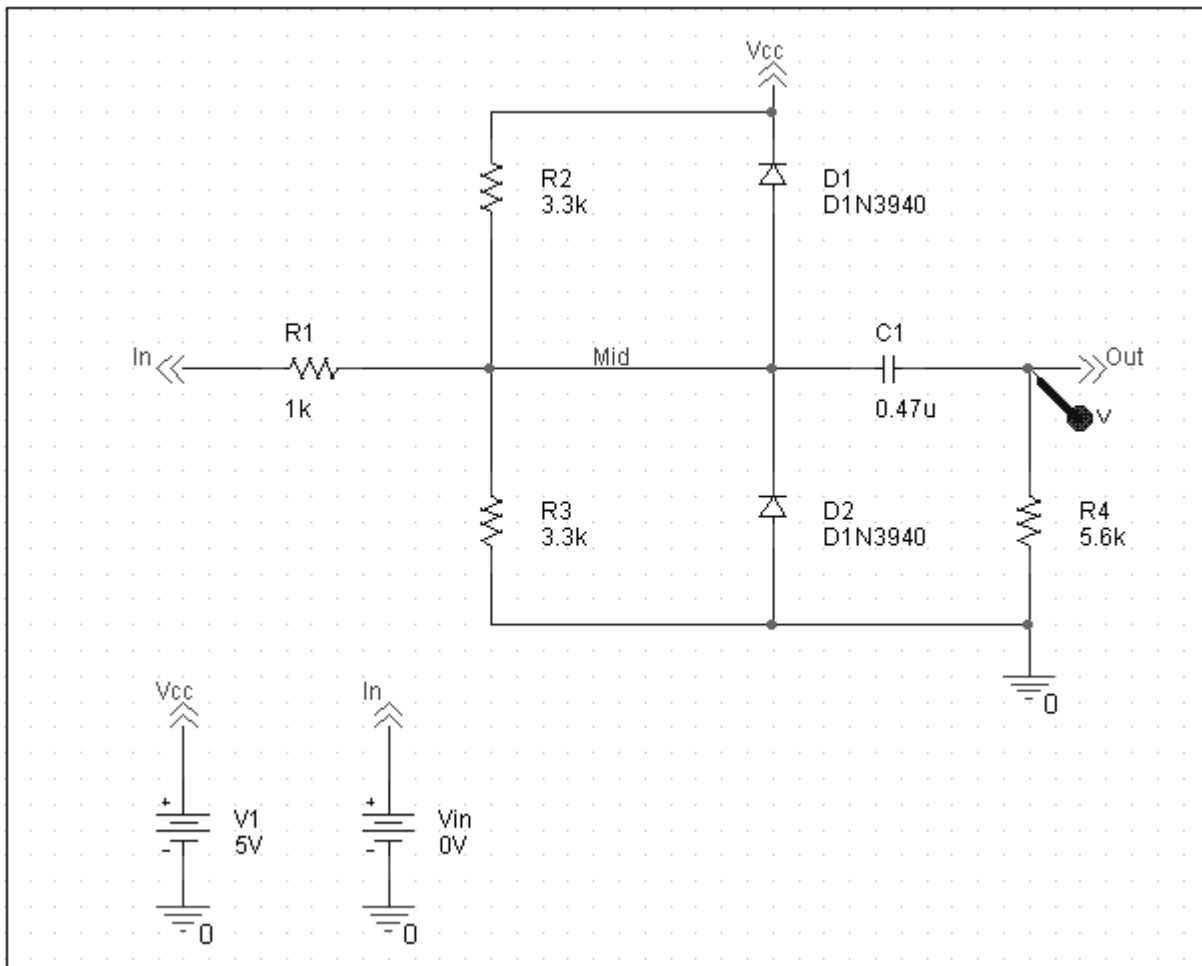


Figure 2-9 Clipper circuit with voltage marker on net Out.

PSpice User Guide

Simulation examples

3. Right-click and choose *End Mode* in Capture or Done in Design Entry HDL to stop placing markers.
4. From the File menu, choose Save.
5. Switch to PSpice. The V(Out) waveform trace appears, as shown in Figure 2-10.

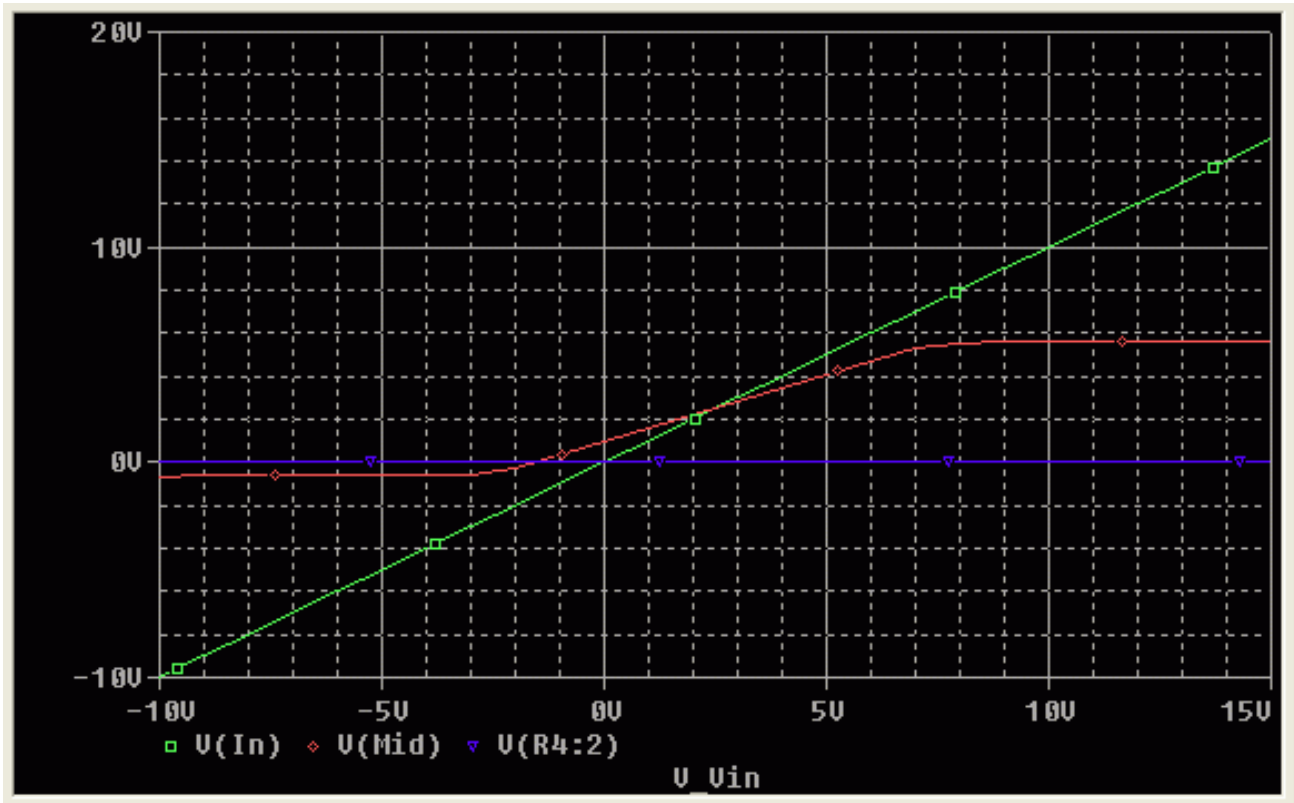


Figure 2-10 Voltage at In, Mid, and Out.

To place cursors on V(In) and V(Mid)

This example uses the cursors feature to view the numeric values for two traces and the difference between them by placing a cursor on each trace.

1. From PSpice's Trace menu, point to Cursor and choose Display.

Two cursors appear for the first trace defined in the legend below the x-axis—V(In) in this example. The Probe Cursor window also appears.

2. To display the cursor crosshairs:
 - a. Position the mouse anywhere inside the Probe window.
 - b. Click to display the crosshairs for the first cursor.
 - c. Right-click to display the crosshairs for the second cursor.

Table 2-1 Association of cursors with mouse buttons.

cursor 1	left mouse button
cursor 2	right mouse button

In the trace legend, the part for V(In) is outlined in the crosshair pattern for each cursor, resulting in a dashed line as shown in Figure 2-11.



Figure 2-11 Trace legend with cursors

3. Place the first cursor on the V(In) waveform:
 - a. Click the portion of the V(In) trace in the proximity of 4 volts on the x-axis. The cursor crosshair appears, and the current X and Y values for the first cursor appear in the cursor window.
 - b. To fine-tune the cursor location to 4 volts on the x-axis, drag the crosshairs until the x-axis value of the A1 cursor in the cursor window is approximately 4.0. You can also press Right arrow key and Left arrow key for tighter control.
Note: Your ability to get as close to 4.0 as possible depends on screen resolution and window size.
4. Place the second cursor on the V(Mid) waveform:
 - a. Right-click the trace legend part (diamond) for V(Mid) to associate the second cursor with the Mid waveform. The

crosshair pattern for the second cursor outlines the V(Mid) trace part as shown in Figure 2-12.



Figure 2-12 Trace legend with V(Mid) symbol outlined.

- b.** Right-click the portion on the V(Mid) trace that is in the proximity of 4 volts on the x-axis. The X and Y values for the second cursor appear in the cursor window along with the difference (dif) between the two cursors' X and Y values.
- c.** To fine-tune the location of the second cursor to 4 volts on the x-axis, drag the crosshairs until the x-axis value of the A2 cursor in the cursor window is approximately 4.0. You can also press *Shift*+Right arrow key and *Shift*+Left arrow key for tighter control.

Figure 2-13 shows the Probe window with both cursors placed.

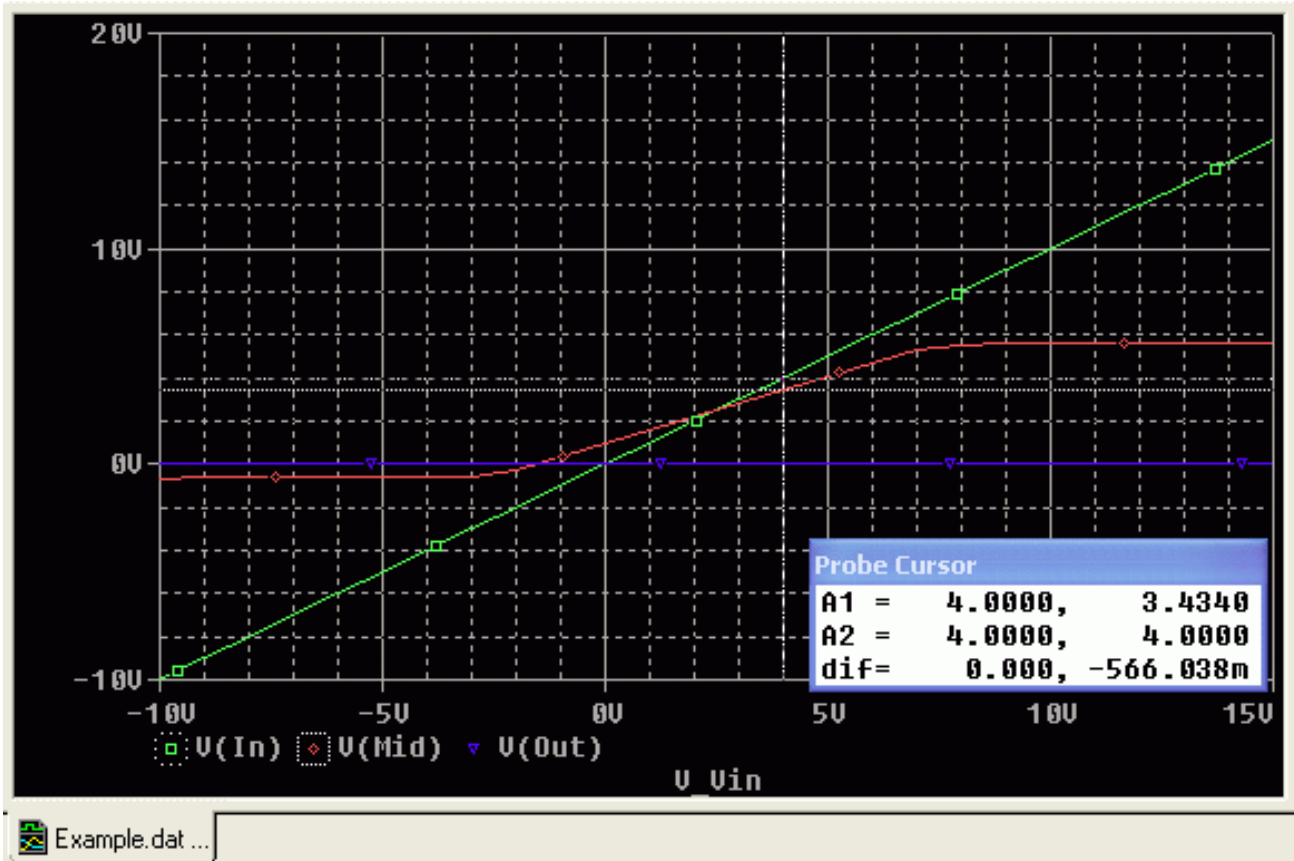


Figure 2-13 Voltage difference at V(In) = 4 volts.

There are also ways to display the difference between two voltages as a trace:

- In PSpice, add the trace expression $V(\text{In})-V(\text{Mid})$.
- In Capture, from the PSpice menu, point to Markers and choose Voltage Differential. Place the two markers on different pins or wires.

In Design Entry HDL, from the PSpice Simulator menu, choose *Probes - Differential Probe*.

To delete all of the traces

1. From the Trace menu, choose Delete All Traces.

PSpice User Guide

Simulation examples

Note: You can also delete an individual trace by selecting its name in the trace legend and then pressing Delete. Example: To delete the V(In) trace, click the text, $V(I_n)$, located under the plot's x-axis, and then press *Delete*.

At this point, the design has been saved. If needed, you can quit the design entry tool and PSpice and complete the remaining analysis exercises later using the saved design.

Finding out more about DC sweep analysis

To find out more about this...	See this...
DC sweep analysis	DC Sweep on page 476

Transient analysis

The examples in this section show how to run a transient analysis on the clipper circuit. This requires adding a time-domain voltage stimulus as shown in Figure 2-14 and Figure 2-15.

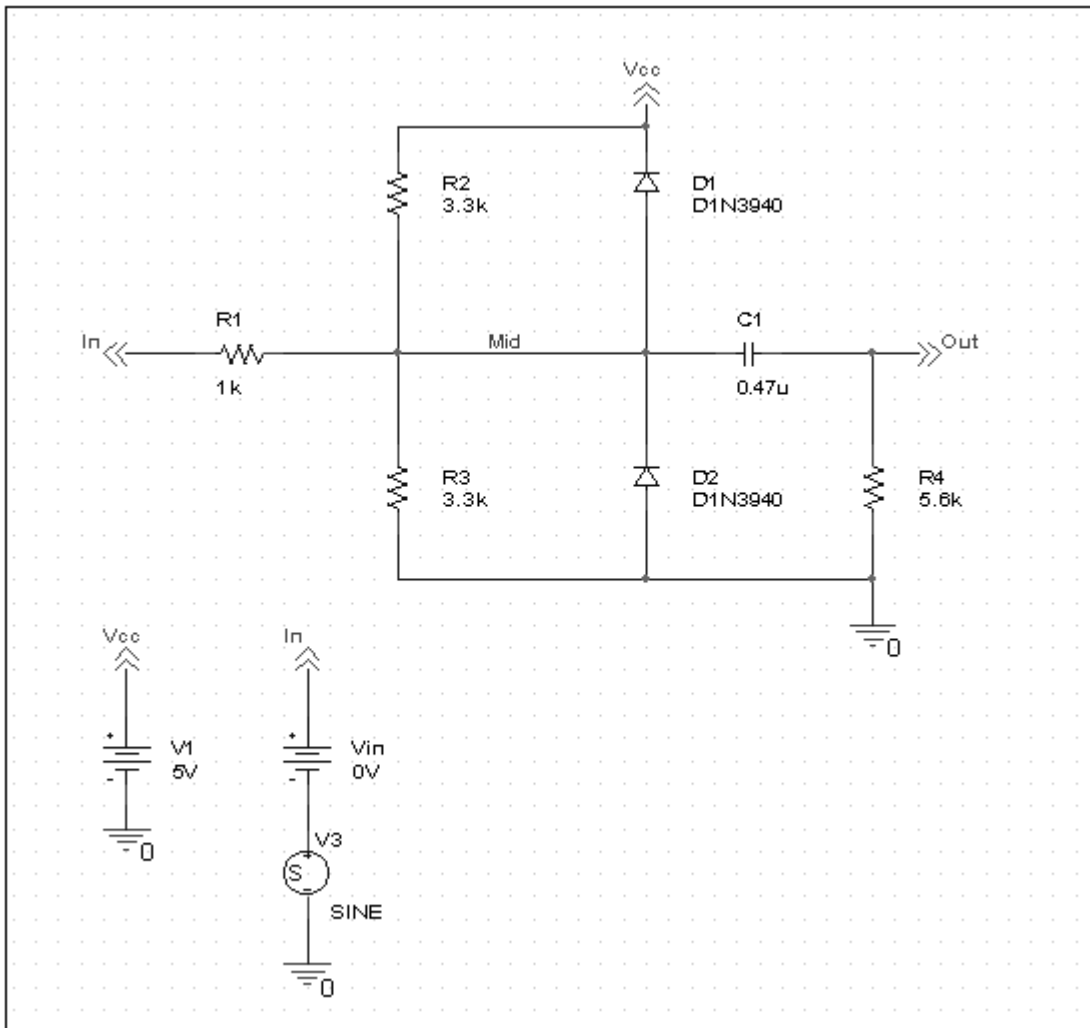


Figure 2-14 Diode clipper circuit with a voltage stimulus in .

PSpice User Guide

Simulation examples

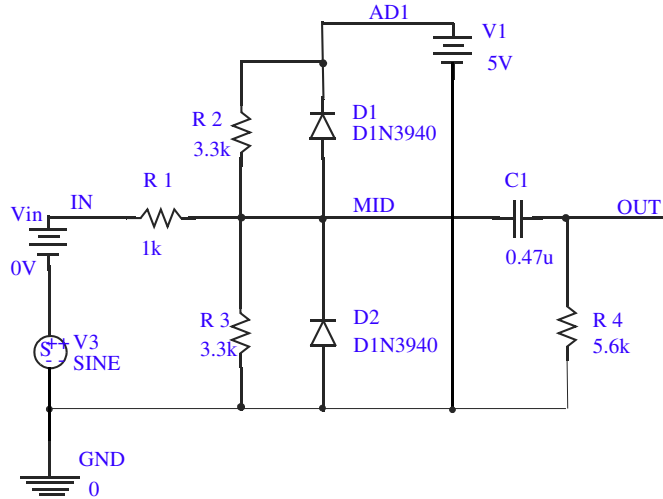


Figure 2-15 Diode clipper design with a voltage stimulus in Design Entry HDL

To add a time-domain voltage stimulus in Capture

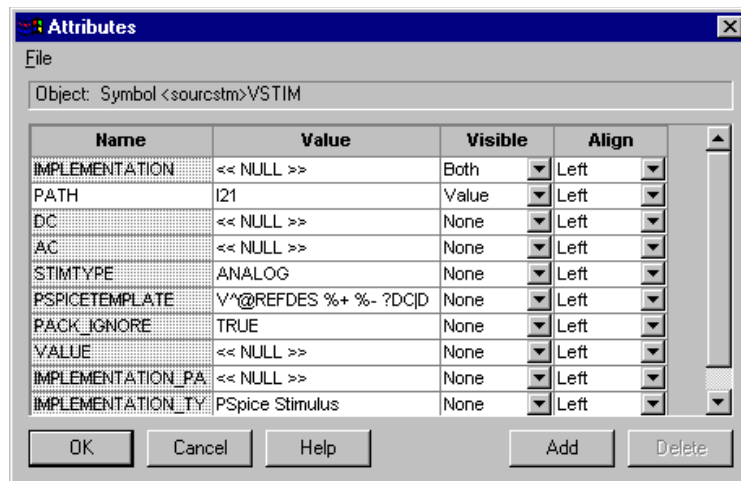
1. From the design entry tool's PSpice menu, point to Markers and choose Delete All.
2. Select the ground part beneath the VIN source.
3. From the Edit menu, choose Cut.
4. Scroll down (or from the View menu, point to Zoom, then choose Out).
5. Place a VSTIM part (from the PSpice library SOURCSTM) as shown in Figure 2-14.
6. From the Edit menu, choose Paste.
7. Place the ground part under the VSTIM part as shown in Figure 2-14.
8. From the View menu, point to Zoom, then choose All.
9. From the File menu, choose Save to save the design.

PSpice User Guide

Simulation examples

To add a time-domain voltage stimulus in Design Entry HDL

1. In Design Entry HDL, choose *PSpice Simulator – Probes – View Probes*. The Probes dialog box appears.
2. Click *Remove All*.
3. Click *Close* to close the Probes dialog box.
4. Place a VSTIM part (from the PSpice library SOURCSTM) as shown in Figure 2-14.
5. From the *Text* menu, choose *Attributes*.
6. Click on the VSTIM part to display the Attributes dialog box.



7. Change the value of the IMPLEMENTATION property to *SINE*. This specifies the name of the stimulus.
8. Click *OK* to close the Attributes dialog box.
9. From the *File* menu, choose *Save* to save the design.

To set up the stimulus

1. Select the VSTIM part (V3).
2. In Capture, choose *Edit - PSpice Stimulus*. In Design Entry HDL, right-click and choose *Edit Stimulus*.
The New Stimulus dialog box appears.
3. In the New Stimulus dialog box, type *SINE*.

PSpice User Guide

Simulation examples

- Click SIN (sinusoidal), then click OK.
- In the SIN Attributes dialog box, set the first three properties as follows:
 - Offset value = 0
 - Amplitude = 10
 - Frequency (Hz) = 1kHz
- Click Apply to view the waveform.

The Stimulus Editor window should look like Figure 2-16.

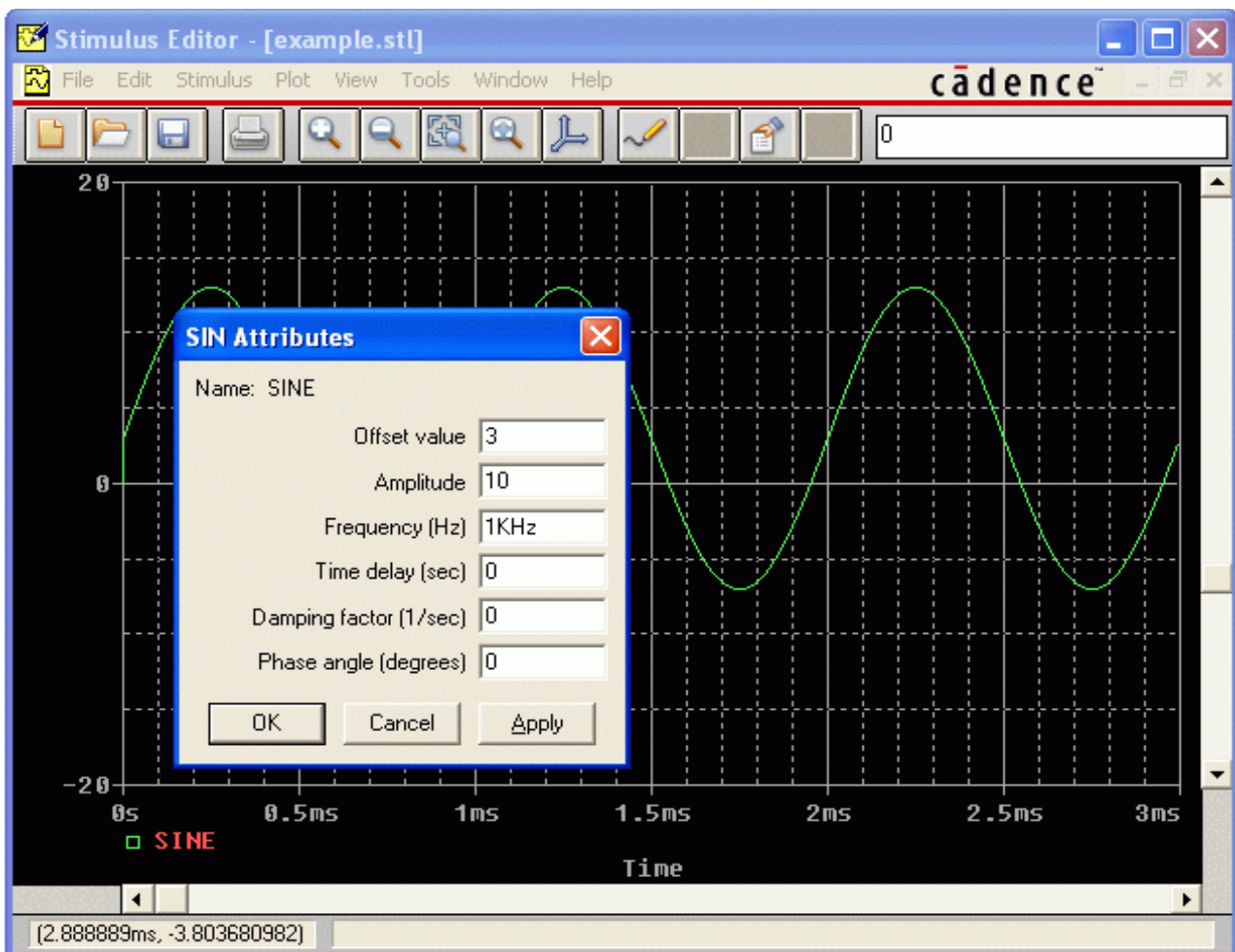


Figure 2-16 Stimulus Editor window.

- Click OK.
- Choose *File – Save* to save the stimulus information. Click Yes to update the schematic.

9. Choose *File – Exit* to exit the Stimulus Editor.

If you do not have the Stimulus Editor

1. Place a VSIN part instead of VSTIM and double-click it.
2. In Capture, in the Edit Part dialog box, click *User Properties*.

In Design Entry HDL:

- a. Choose *Text - Attributes*.
 - b. Click on the VSIN part to display the Attributes dialog box.
3. Set values for the VOFF, VAMPL, and FREQ properties as defined in step 5. When finished, click OK.

To set up and run the transient analysis

1. From the design entry tool's PSpice menu, choose New Simulation Profile.
The New Simulation dialog box appears.
2. In the Name text box, type `Transient`.
3. From the Inherit From list, select Schematic1-Example, then click Create.

The Simulation Settings dialog box appears.

4. Click the Analysis tab.

PSpice User Guide

Simulation examples

- From the Analysis list, select Time Domain (Transient) and enter the settings shown in Figure 2-17.

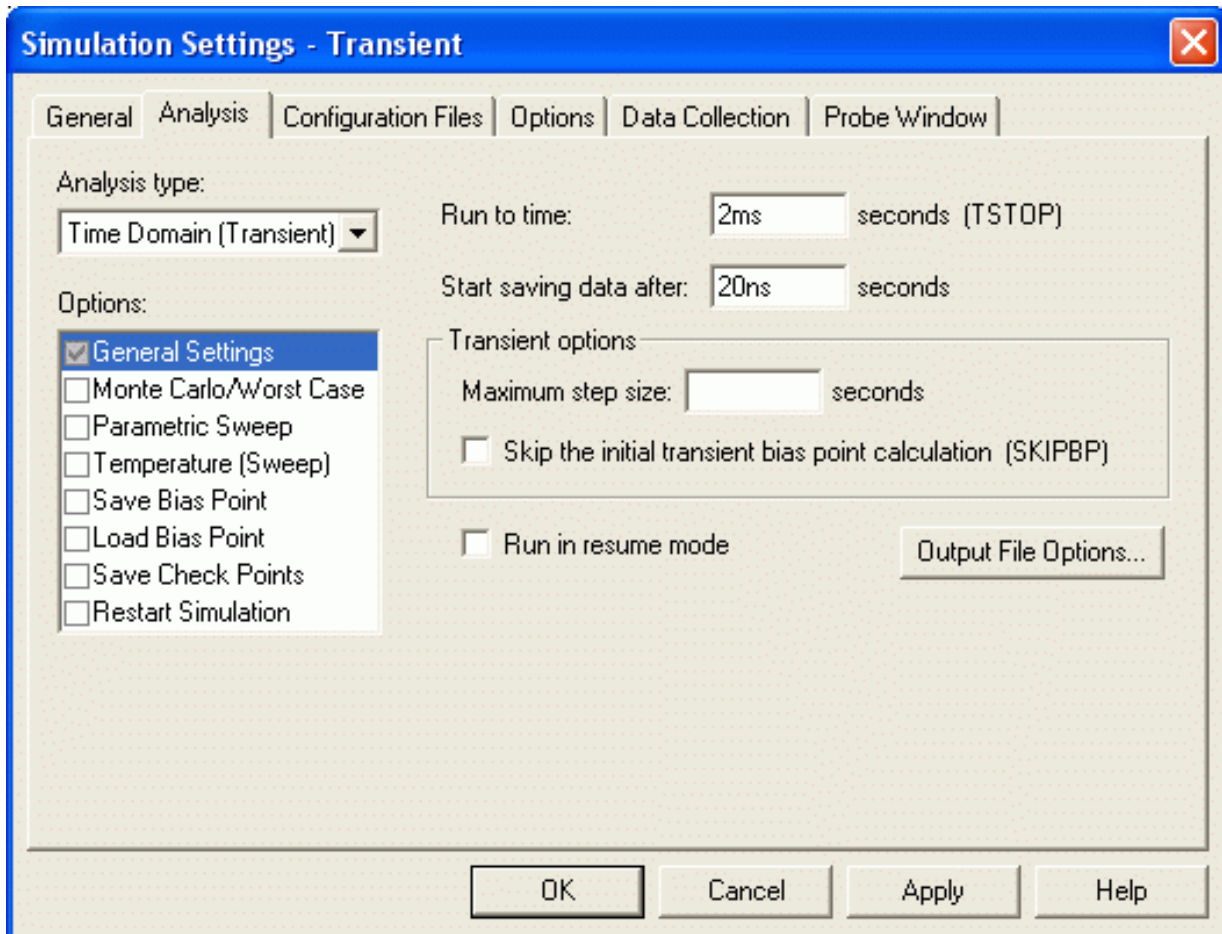


Figure 2-17 Transient analysis simulation settings.

TSTOP = 2ms

Start saving data after = 20ns

- Click OK to close the Simulation Settings dialog box.
- From the PSpice menu, choose Run to perform the analysis.

PSpice uses its own internal time steps for computation. The internal time step is adjusted according to the requirements of the transient analysis as it proceeds. PSpice saves data to the waveform data file for each internal time step.

Note: The internal time step is different from the Print Step

PSpice User Guide

Simulation examples

value. Print Step controls how often optional text format data is written to the simulation output file (*.OUT).

To display the input sine wave and clipped wave at V(Out)

1. From PSpice's Trace menu, choose Add Trace.
2. In the trace list, select V(In) and V(Out) by clicking them.
3. Click OK to display the traces.
4. From the Tools menu, choose Options to display the Probe Options dialog box.
5. In the Use Symbols frame, click Always if it is not already enabled.
6. Click OK.

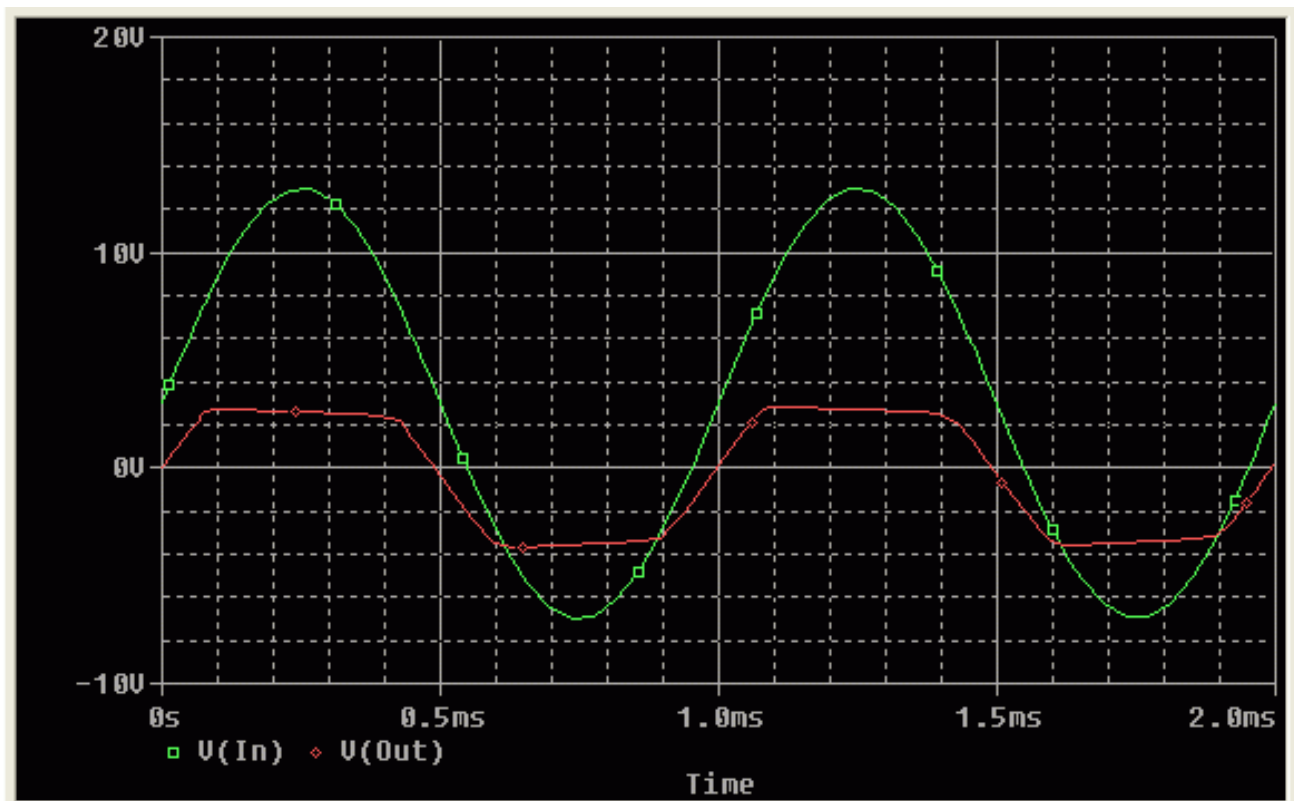


Figure 2-18 Sinusoidal input and clipped output waveforms.

The waveforms illustrate the clipping of the input signal.

Finding out more about transient analysis

To find out more about this...	See this...
transient analysis for analog and mixed-signal designs ¹	<u>Chapter 12, “Transient analysis”</u>
transient analysis for digital designs ¹	<u>Chapter 14, “Digital simulation”</u>

1. Includes how to set up time-based stimuli using the Stimulus Editor.

AC sweep analysis

The AC sweep analysis in PSpice is a linear (or small signal) frequency domain analysis that can be used to observe the frequency response of any circuit at its bias point.

Setting up and running an AC sweep analysis

In this example, you will set up the clipper circuit for AC analysis by adding an AC voltage source for a stimulus signal (see Figure 2-19 and Figure 2-20) and by setting up AC sweep parameters.

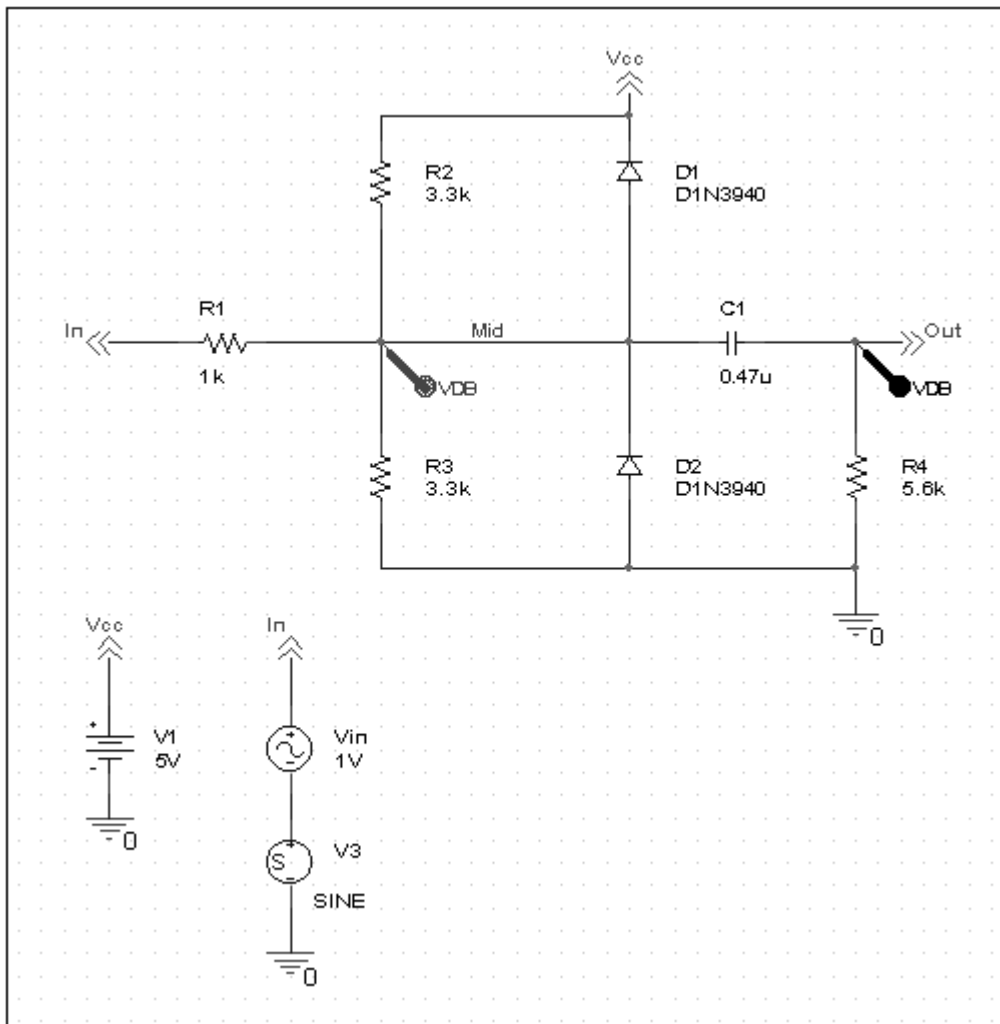


Figure 2-19 Clipper circuit with AC stimulus in capture.

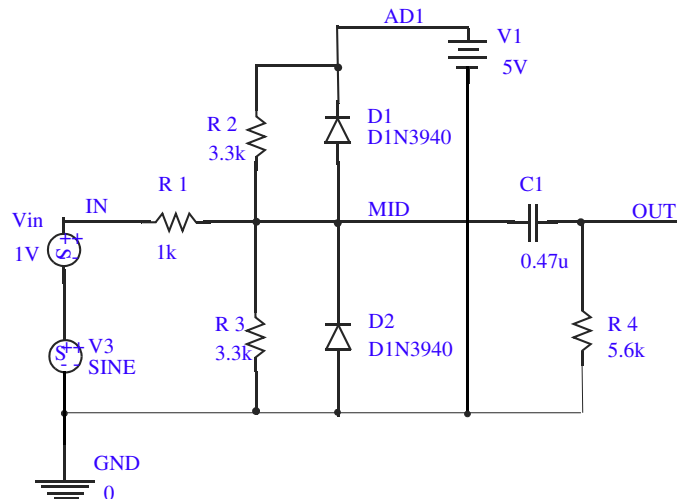


Figure 2-20 Clipper design with AC stimulus in Design Entry

To change V_{in} to include the AC stimulus signal in Capture

1. In Capture, open CLIPPER.OPJ.
2. Select the DC voltage source, V_{in} , and press D to remove the part from the schematic page.
3. From the Place menu, choose Part.
4. In the Part text box, type VAC (from the PSpice library SOURCE.OLB) and click OK.
5. Place the AC voltage source on the schematic page, as shown in Figure 2-19.
6. Double-click the VAC part (0V) to display the Parts spreadsheet.
7. Change the Reference cell to V_{in} and change the ACMAG cell to 1V.

Note: PSpice simulation is not case-sensitive, so both M and m can be used as “milli,” and MEG, Meg, and meg can all be used for “mega.” However, waveform analysis treats M and m as mega and milli, respectively.

8. Click Apply to update the changes and then close the spreadsheet.

To change Vin to include the AC stimulus signal in Design Entry HDL

1. In Design Entry HDL, open CLIPPER.CPM.
2. From the *Edit* menu, choose *Delete*.
3. Select the DC voltage source, V_{in} to delete it.
4. From the *Component* menu, choose *Add*. Component Browser appears.
5. From the *Library* list, choose SOURCE.
6. In the *Cells* list box, select VAC and place the part on the schematic page as shown in Figure 2-20.
7. Click *Close* to close the Component Browser.
8. From the *Text* menu, choose *Attributes*.
9. Click on the VAC part (0V) to display the Attributes dialog box.
10. Change the Reference cell to V_{in} and change the value of the ACMAG property to 1V.

Note: PSpice simulation is not case-sensitive, so both M and m can be used as “milli,” and MEG, Meg, and meg can all be used for “mega.” However, waveform analysis treats M and m as mega and milli, respectively.

11. Click *OK* to close the Attributes dialog box.
12. From the *File* menu, choose *Save*.

To set up and run the AC sweep simulation

1. From design entry tool’s PSpice menu, choose New Simulation Profile.
2. In the Name text box, enter AC_Sweep, then click create.
The Simulation Settings dialog box appears.
3. Click the Analysis tab.

PSpice User Guide

Simulation examples

4. From the Analysis type list, select AC Sweep/Noise and enter the settings shown in Figure 2-21.

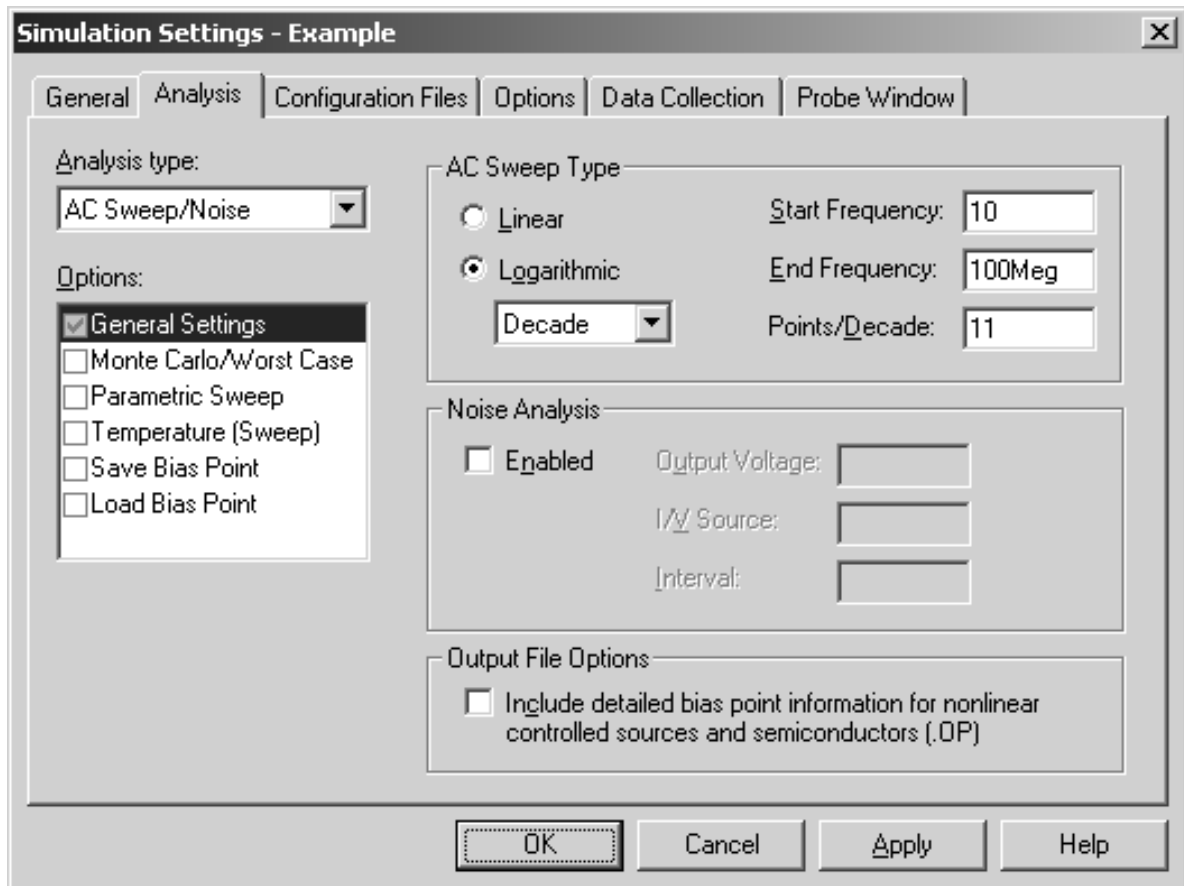


Figure 2-21 AC sweep and noise analysis simulation settings.

5. Click OK to close the Simulation Settings dialog box.
6. From the PSpice menu, choose Run to start the simulation.
PSpice performs the AC analysis.

To add markers for waveform analysis in Capture

1. From Capture's PSpice menu, point to Markers, point to Advanced, then choose db Magnitude of Voltage.

Note: You must first define a simulation profile for the AC Sweep/Noise analysis in order to use advanced markers.

2. Place one Vdb marker on the Out net, then place another on the Mid net.
3. From the File menu, choose Save to save the design.

AC sweep analysis results

PSpice displays the dB magnitude ($20\log_{10}$) of the voltage at the marked nets, Out and Mid, in a Probe window as shown in Figure 2-22 below. VDB(Mid) has a lowpass response due to the diode capacitances to ground. The output capacitance and load resistor act as a highpass filter, so the overall response, illustrated by VDB(out), is a bandpass response. Because AC is a linear analysis and the input voltage was set to 1V, the output voltage is the same as the gain (or attenuation) of the circuit.

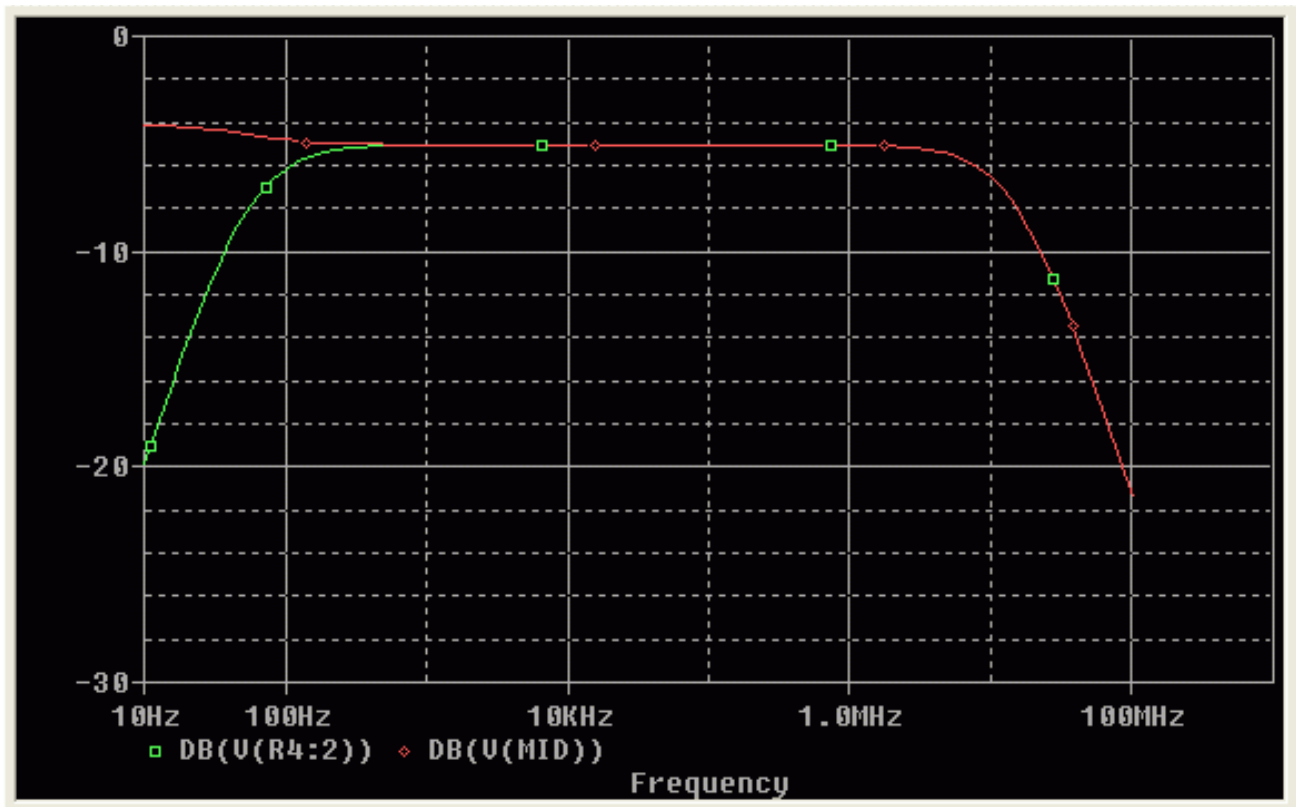


Figure 2-22 dB magnitude curves for “gain” at Mid and Out.

PSpice User Guide

Simulation examples

To display a Bode plot of the output voltage, including phase

1. From the design entry tool's PSpice menu, point to Markers, point to Advanced and choose Phase of Voltage.
2. Place a Vphase marker on the output next to the Vdb marker.

Note: Depending upon where the Vphase marker was placed, the trace name may be different, such as VP(Cout:2), VP(R4:1).

3. Delete the Vdb marker on Mid.
4. Switch to PSpice.

In the Probe window, the gain and phase plots both appear on the same graph with the same scale.

For more information on Probe windows and trace expressions, see [Chapter 17, "Analyzing waveforms."](#)

5. Click the trace name VP(Out) to select the trace.
6. From the Edit menu, choose Cut.
7. From the Plot menu, choose Add Y Axis.
8. From the Edit menu, choose Paste.

The Bode plot appears, as shown in Figure 2-23.

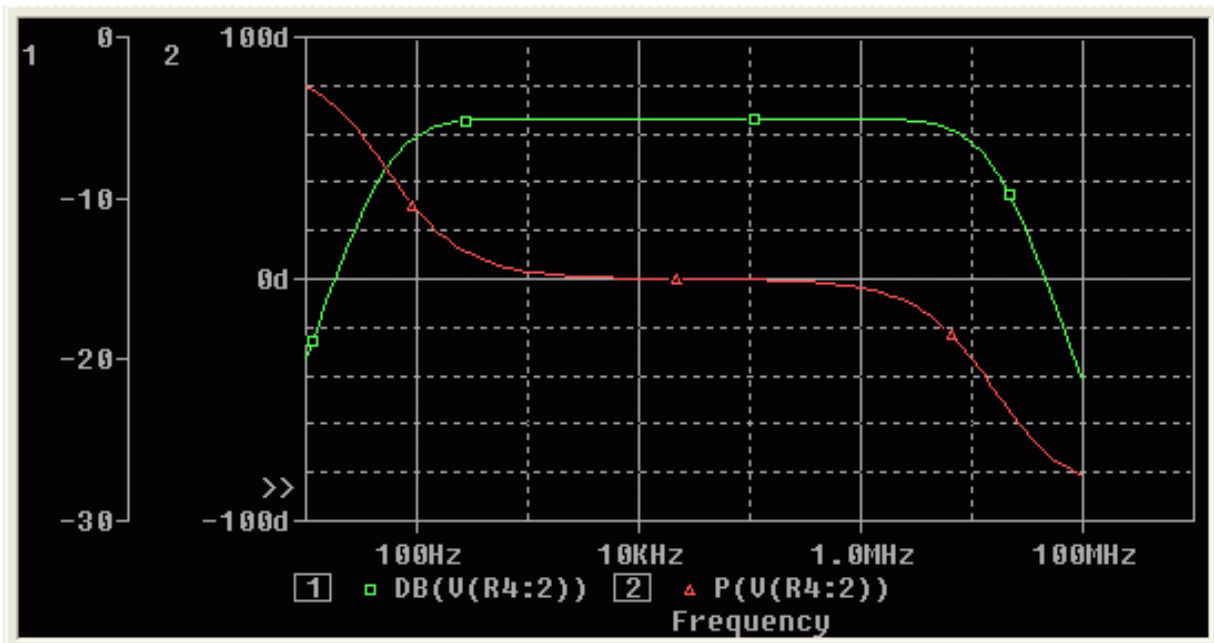


Figure 2-23 Bode plot of clipper's frequency response.

Finding out more about AC sweep and noise analysis

To find out more about this...	See this...
AC sweep analysis	<u>AC sweep analysis</u> on page 496
noise analysis based on an AC sweep analysis	<u>Noise analysis</u> on page 507

Parametric analysis

This example shows the effect of varying input resistance on the bandwidth and gain of the clipper circuit by:

- Changing the value of R1 to the expression {Rval}.
- Placing a PARAM part to declare the parameter Rval.

PSpice User Guide

Simulation examples

- Setting up and running a parametric analysis to step the value of R1 using Rval.

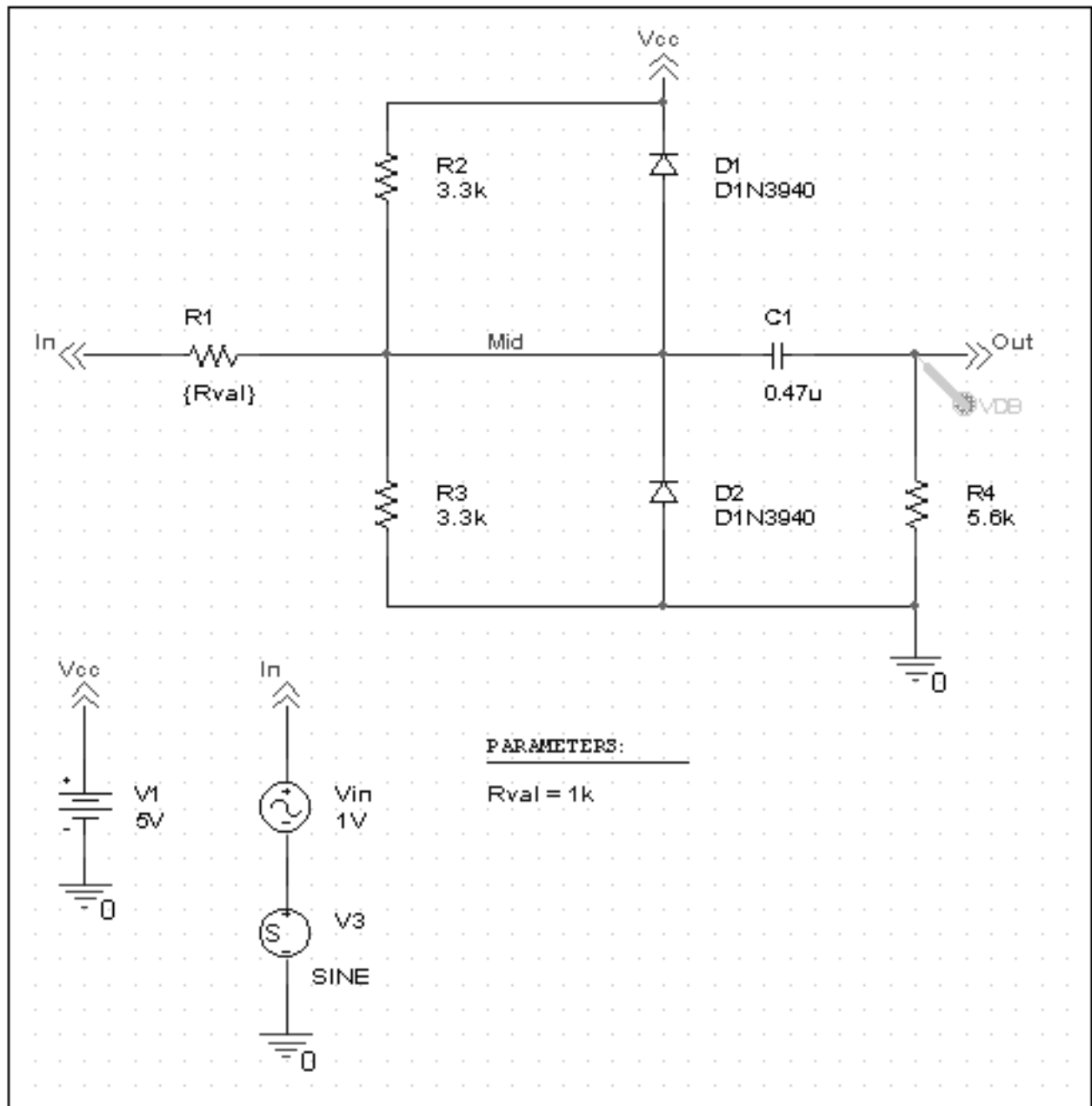


Figure 2-24 Clipper circuit with global parameter Rval in Capture.

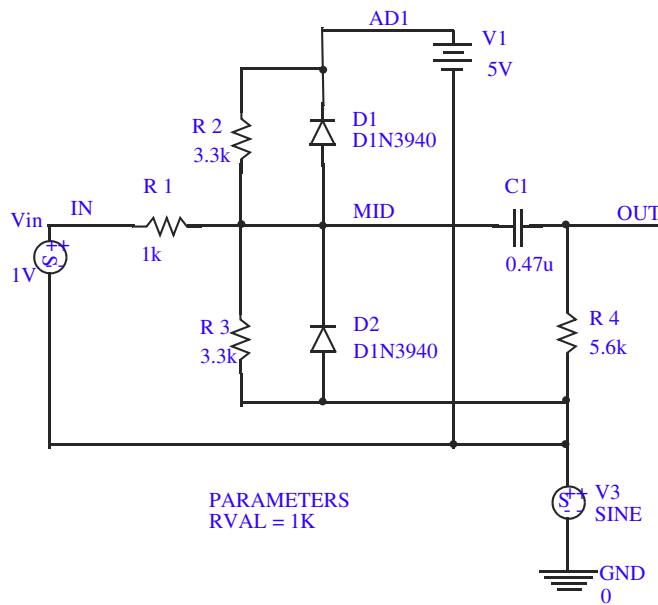


Figure 2-25 Clipper design with global parameter Rval in Design Entry

This example produces multiple analysis runs, each with a different value of R1. After the analysis is complete, you can analyze curve families for the analysis runs using PSpice A/D.

Setting up and running the parametric analysis

To change the value of R1 to the expression {Rval} in Capture

1. In Capture, open `CLIPPER.OPJ`.
2. Double-click the value (1k) of part R1 to display the Display Properties dialog box.
3. In the Value text box, replace 1k with `{Rval}`.

PSpice interprets text in curly braces as an expression that evaluates to a numerical value. This example uses the simplest form of an expression—a constant. The value of R1 will take on the value of the Rval parameter, whatever it may be.

4. Click OK.

To change the value of R1 to the expression {Rval} in Design Entry HDL

1. In Design Entry HDL, open `CLIPPER.CPM`.
2. Choose *Text – Attributes*.
3. Click on the part R1 to display the Attributes dialog box.
4. In the *Value* text box against the VALUE property, replace 1k with `{Rval}`.

PSpice interprets text in curly braces as an expression that evaluates to a numerical value. This example uses the simplest form of an expression—a constant. The value of R1 will take on the value of the Rval parameter, whatever it may be.

5. Click *OK*.

To add a PARAM part to declare the parameter Rval in Capture

1. From Capture's Place menu, choose Part.
2. In the Part text box, type `PARAM` (from the PSpice library `SPECIAL.OLB`), then click OK.
3. Place one `PARAM` part in any open area on the schematic page.

PSpice User Guide

Simulation examples

4. Double-click the PARAM part to display the Parts spreadsheet, then click *New Column*.

For more information about using the Parts spreadsheet, see the *OrCAD Capture User's Guide*.

5. In the *Name* text box, enter Rval (no curly braces), then click OK.

This creates a new property for the PARAM part, as shown by the new column labeled Rval in the spreadsheet.

6. Click in the cell below the Rval column and enter 1k as the initial value of the parametric sweep.

7. While this cell is still selected, click *Display*.

8. In the Display Format frame, select *Name and Value*, then click *OK*.

9. Click *Apply* to update all the changes to the PARAM part.

10. Close the Parts spreadsheet.

11. Select the VP marker and press *Delete* to remove the marker from the schematic page.

Note: This example is only interested in the magnitude of the response.

12. From the File menu, choose Save to save the design.

To add a PARAM part to declare the parameter Rval in Design Entry HDL

1. Choose *Component – Add*.

Component Browser appears.

2. From the *Library* list, choose SPECIAL.

3. Place one *PARAM* part in any open area on the schematic page.

4. Close Component Browser.

5. Choose *Text – Attributes* to display the Attributes dialog box.

6. Click *Add*.

7. In the *Name* text box, enter RVAL (no curly braces).

PSpice User Guide

Simulation examples

This creates a new property for the PARAM part, as shown by the new row labeled RVAL in the Attributes dialog box.

8. In the *Value* text box, enter 1k as the initial value of the parametric sweep.
9. Click *OK* to close the Attributes dialog box.
10. Save the design.
11. Switch to PSpice.
12. Click the trace name *Vp(out)* and press *Delete* to remove the trace.

Note: This example is only interested in the magnitude of the response.

To set up and run a parametric analysis to step the value of R1 using Rval

1. From the design entry tool's PSpice menu, choose New Simulation Profile.
The New Simulation dialog box appears.
2. In the Name text box, type `Parametric`.
3. From the Inherit From list, select `AC_Sweep`, then click Create.
The Simulation Settings dialog box appears.
The root schematic listed is the schematic page associated with the simulation profile you are creating.
4. Click the Analysis tab.

PSpice User Guide

Simulation examples

5. Under Options, select Parametric Sweep and enter the settings as shown below.

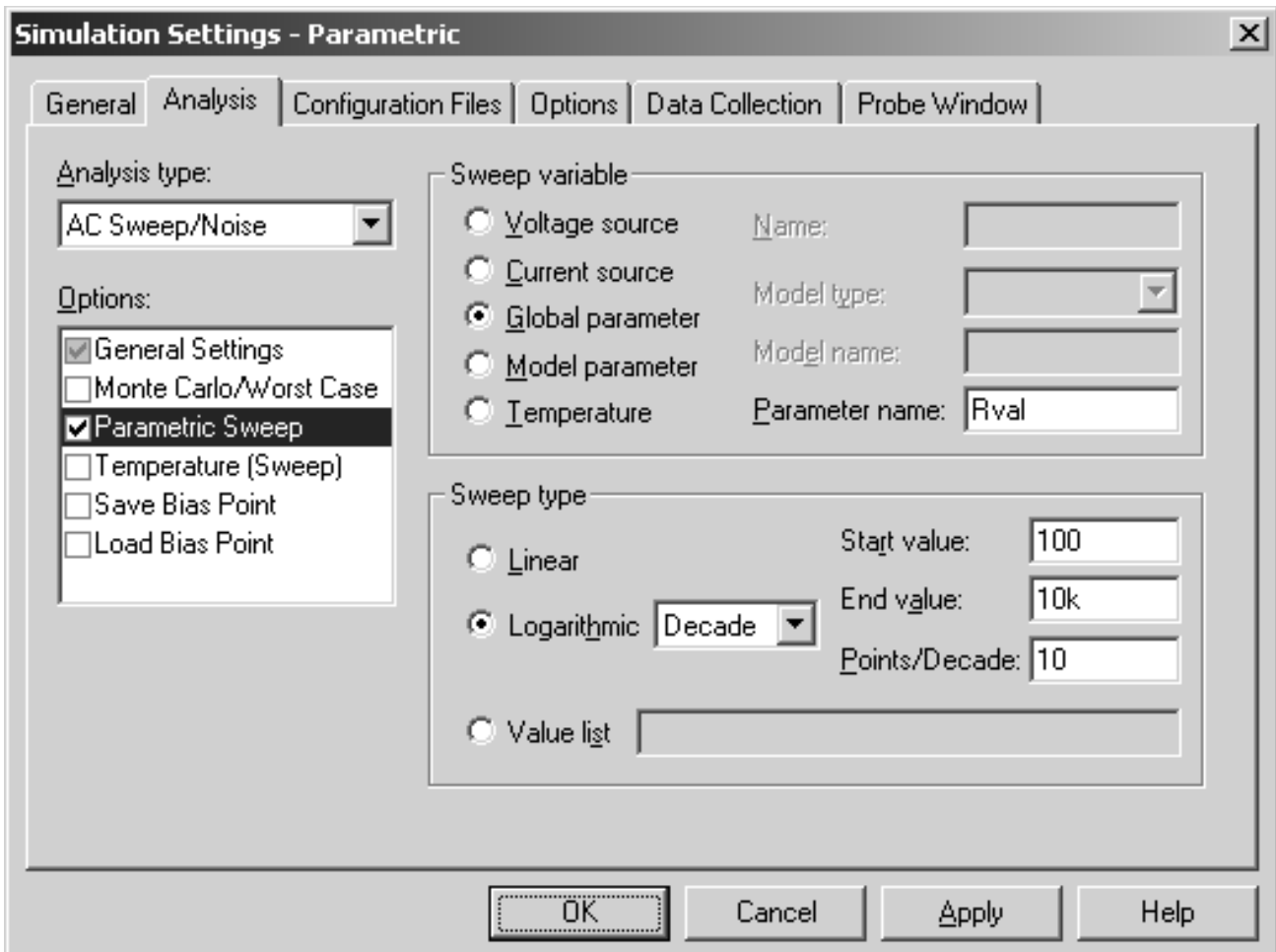


Figure 2-26 Parametric simulation settings

This profile specifies that the parameter Rval is to be stepped from 100 to 10k logarithmically with a resolution of 10 points per decade.

The analysis is run for each value of Rval. Because the value of R1 is defined as {Rval}, the analysis is run for each value of R1 as it logarithmically increases from 100 Ω to 10 k Ω in 20 steps, resulting in a total of 21 runs.

6. Click OK.
7. From the PSpice menu, choose Run to start the analysis.

Analyzing waveform families

Continuing from the example above, there are 21 analysis runs, each with a different value of R1. After PSpice completes the simulation, the Available Sections dialog box appears, listing all 21 runs and the Rval parameter value for each. You can select one or more runs to display. To select individual runs, click each one separately.

To display all 21 traces

1. In the Available Sections dialog box, click OK.

All 21 traces (the entire family of curves) for VDB(Out) appear in the Probe window as shown in Figure 2-27.

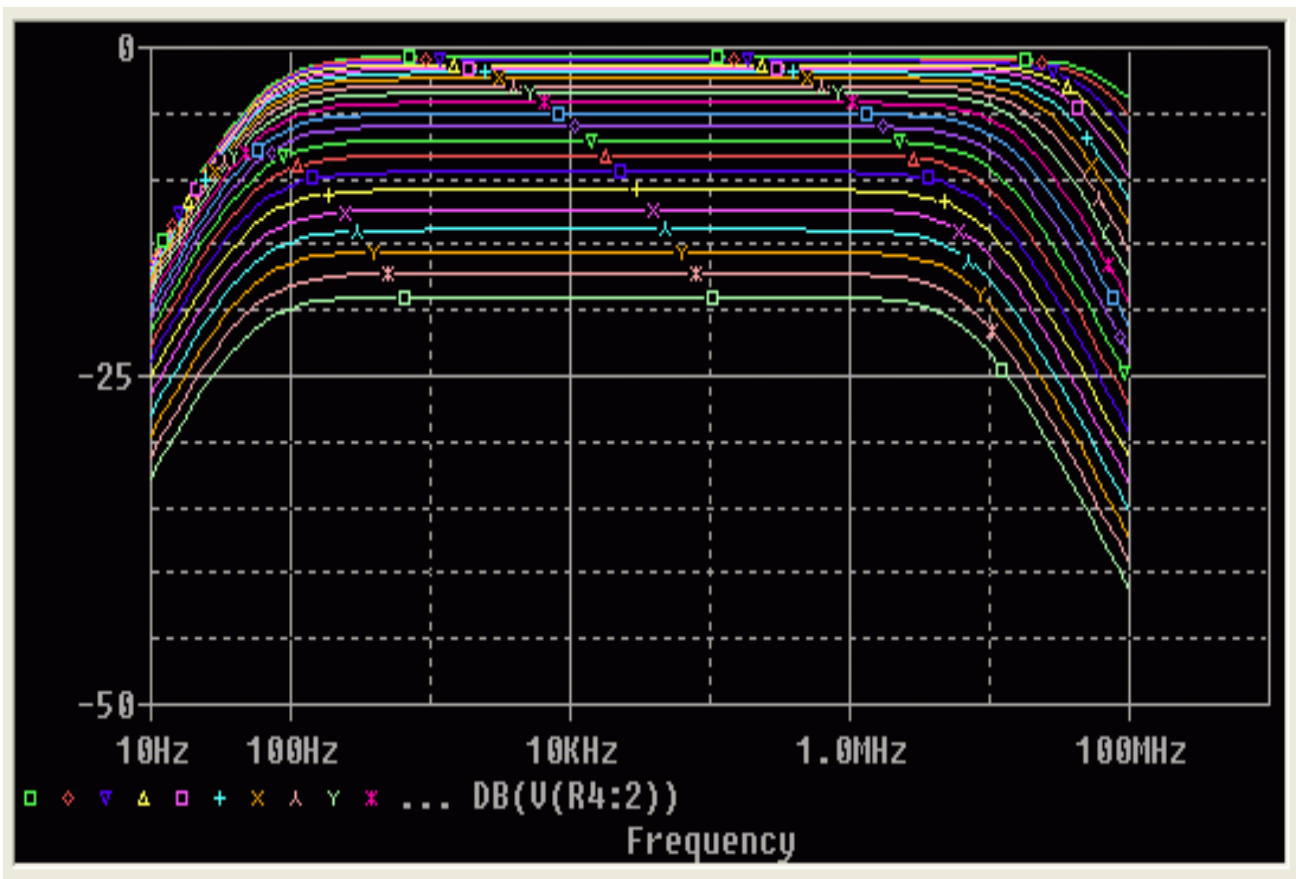


Figure 2-27 Small signal response as R1 is varied from 100 Ω to 10 k Ω

PSpice User Guide

Simulation examples

To see more information about the section that produced a specific trace, double-click the corresponding symbol in the legend below the x-axis.

2. Click the trace name to select it, then press *Delete* to remove the traces shown.

You can also remove the traces by removing the VDB marker from your schematic page in Capture.

To compare the last run to the first run

1. From the Trace menu, choose Add Trace to display the Add Traces dialog box.
2. In the Trace Expression text box, type the following:

```
V(Out)@1 V(Out)@21
```



Tip

You can avoid some of the typing for the Trace Expression text box by selecting V(Out) twice in the trace list and inserting text where appropriate in the resulting Trace Expression.

3. Click OK.

Note: The difference in gain is apparent. You can also plot the difference of the waveforms for runs 21 and 1, then use the search commands to find certain characteristics of the difference.

4. Plot the new trace by specifying a waveform expression:
 - a. From the Trace menu, choose Add Trace.
 - b. In the Trace Expression text box, type the following waveform expression:

```
V(Out)@1-V(OUT)@21
```

- c. Click OK.
5. Use the search commands to find the value of the difference trace at its maximum and at a specific frequency:

PSpice User Guide

Simulation examples

- From the Trace menu, point to Cursor and choose Display.
- Right-click then left-click the trace part (triangle) for Vdb(Out)@1 - Vdb(Out)@21. Make sure that you left-click last to make cursor 1 the active cursor.
- From the Trace menu, point to Cursor and choose Max.
- From the Trace menu, point to Cursor and choose Search Commands.
- In the Search Command text box, type the following:
`search forward x value (100)`
The search command tells PSpice to search for the point on the trace where the x-axis value is 100.
 - Select 2 as the Cursor to Move option.
 - Click OK.

Figure 2-28 shows the Probe window with cursors placed.

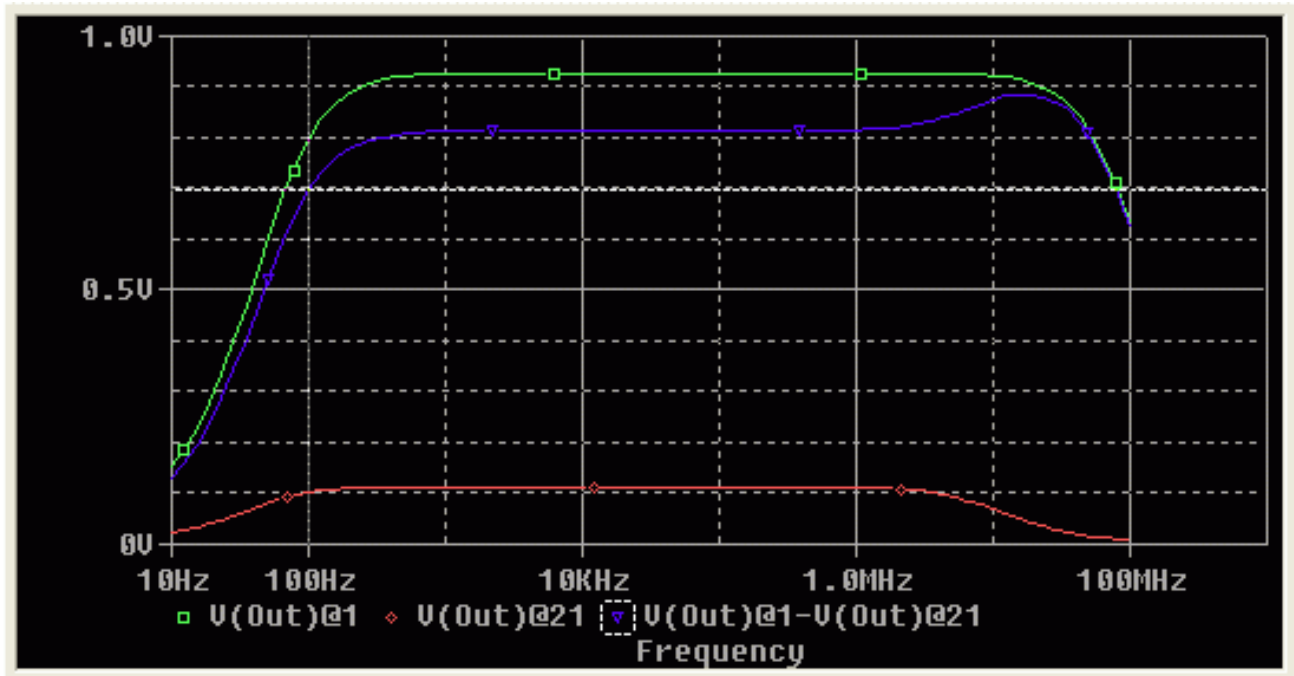


Figure 2-28 Small signal frequency response at 100 and 10 k Ω input resistance.

PSpice User Guide

Simulation examples

Note that the Y value for cursor 2 in the cursor box is about 17.87. This indicates that when R1 is set to 10 k Ω , the small signal attenuation of the circuit at 100Hz is 17.87dB greater than when R1 is 100 Ω .

6. From the Trace menu, point to Cursor and choose Display to turn off the display of the cursors.
7. Delete the trace.

Finding out more about parametric analysis

To find out more about this...	See this...
parametric analysis	Parametric analysis on page 518
using global parameters	Using global parameters and expressions for values on page 158

Performance analysis

Performance analysis is an advanced feature in PSpice that you can use to compare the characteristics of a family of waveforms. Performance analysis uses the principle of search commands introduced earlier in this chapter to define functions that detect points on each curve in the family.

After you define these functions, you can apply them to a family of waveforms and produce traces that are a function of the variable that changed within the family.

This example shows how to use performance analysis to view the dependence of circuit characteristics on a swept parameter. In this case, the small signal bandwidth and gain of the clipper circuit are plotted against the swept input resistance value.

To plot bandwidth vs. Rval using the performance analysis wizard

1. In Capture, open `CLIPPER.OPJ`.

In Design Entry HDL, open `CLIPPER.CPM`.

2. From PSpice's *Trace* menu, choose *Performance Analysis*.

The Performance Analysis dialog box appears with information about the currently loaded data and performance analysis in general.

Note: The Performance Analysis menu item is only available if an analysis data file is available. In this case, the data from the parametric analysis of the previous example should still be open.

3. Click the *Wizard* button.

At each step, the wizard provides information and guidelines.

4. Click the *Next>* button.

5. In the *Choose a Measurement* box, click *Bandwidth*, then click the *Next>* button.

6. Click in the *Name of Trace to search* text box and type `V(Out)`.

PSpice User Guide

Simulation examples

7. Click in the db level down for bandwidth calc text box and type 3.
8. Click the *Next>* button.

The wizard displays the gain trace for the first run (R=100) and shows how the bandwidth is measured. This is done to test the measurement.

9. Click the *Next>* button or the *Finish* button.

A plot of the 3dB bandwidth vs. Rval appears.

10. Change the x-axis to log scale:
 - a. From the Plot menu, choose Axis Settings.
 - b. Click the X Axis tab.
 - c. Under Scale, choose Log.
 - d. Click OK.

To plot gain vs. Rval manually

1. From the *Plot* menu, choose *Add Y Axis*.
2. From the *Trace* menu, choose *Add Trace* to display the *Add Traces* dialog box.
3. In the Functions or Macros frame, select the Measurements list, and then click the Max(1) measurement.

The Trace list includes measurements expressions only in performance analysis mode when the x-axis variable is the swept parameter.

4. In the Simulation Output Variables list, click V(out).
5. In the Trace Expression text box, edit the text to be `Max(V(out))`, then click OK.

PSpice displays gain on the second y-axis vs. Rval.

Figure 2-29 shows the final performance analysis plot of 3dB bandwidth and gain in dB vs. the swept input resistance value.

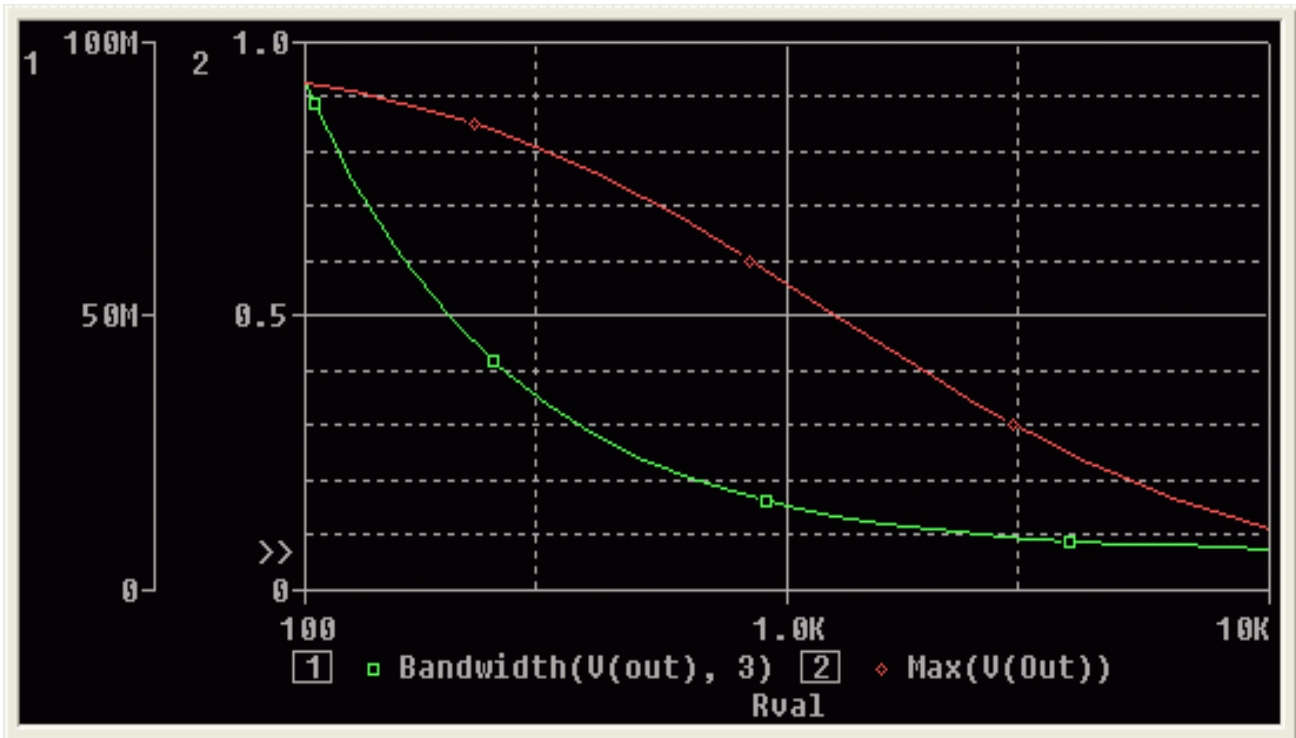


Figure 2-29 Performance analysis plots of bandwidth and gain vs. Rval.

Finding out more about performance analysis

To find out more about this...

See this...

how to use performance analysis

[RLC filter example](#) on page 520

[Example: Monte Carlo analysis of a pressure sensor](#) on page 587

how to use search commands and create measurement expressions

[Chapter 18, "Measurement expressions"](#)

PSpice User Guide

Part two: Design entry

Part two provides information about how to enter circuit designs in design entry tools¹ such as OrCAD Capture or Design Entry HDL that you want to simulate.

- [Chapter 3, “Preparing a design for simulation.”](#) outlines the things you need to do to successfully simulate your schematic including troubleshooting tips for the most frequently asked questions.
- [Chapter 4, “Creating and editing models.”](#) describes how to use the tools to create and edit model definitions, and how to configure the models for use.
- [Chapter 5, “Creating parts for models.”](#) explains how to create symbols for existing or new model definitions so you can use the models when simulating from your schematic.
- [Chapter 6, “Analog behavioral modeling.”](#) describes how to model analog behavior mathematically or using table lookups.
- [Chapter 7, “Digital device modeling.”](#) explains the structure of digital subcircuits and how to create your own from primitives.

1. In this guide, design entry tool is used for both OrCAD Capture and Design Entry HDL. Any differences between the two tools is mentioned, if necessary. Depending on the license available, you will access either PSpice or PSpice Simulator.

Preparing a design for simulation

Chapter overview

This chapter provides introductory information to help you enter circuit designs that simulate properly. If you want an overview, use the [Checklist for simulation setup](#) on page 140 to guide you to specific topics. Refer to the *OrCAD Capture User Guide* or *Design Entry HDL User Guide* for general design entry tool information.

Topics include:

- [Checklist for simulation setup](#) on page 140
- [Using parts that you can simulate](#) on page 143
- [Using global parameters and expressions for values](#) on page 158
- [Defining power supplies](#) on page 170
- [Defining stimuli](#) on page 172
- [Things to watch for](#) on page 178

Checklist for simulation setup

This section describes what you need to do to set up your circuit for simulation.

1. Find the topic that is of interest in the first column of any of these tables.
2. Go to the referenced section. For those sections that provide overviews, you will find references to more detailed discussions.

Typical simulation setup steps

For more information on this step...	See this...	To find out this...
<ul style="list-style-type: none"> ■ Set component values and other properties. 	Using parts that you can simulate on page 143	An overview of vendor, passive, breakout, and behavioral parts.
	Specifying values for part properties on page 157	Things to consider when specifying values for part properties
	Using global parameters and expressions for values on page 158	How to define values using variable parameters, functional calls, and mathematical expressions.
<ul style="list-style-type: none"> ■ Define power supplies. 	Defining power supplies on page 170	An overview of DC power for analog circuits and digital power for mixed-signal circuits.
<ul style="list-style-type: none"> ■ Define input waveforms. 	Defining stimuli on page 172	An overview of DC, AC, and time-based stimulus parts.
<ul style="list-style-type: none"> ■ Set up one or more analyses. 	Chapter 8, “Setting up analyses and starting simulation”	Procedures, general to all analysis types, to set up and start the simulation.
	Chapter 9 through Chapter 14 (see the table of contents)	Detailed information about DC, AC, transient, parametric, temperature, Monte Carlo, sensitivity/worst-case, and digital analyses.

PSpice User Guide

Preparing a design for simulation

For more information on this step...	See this...	To find out this...
■ Place markers.	Using schematic page markers to add traces on page 704	How to display results in PSpice ¹ by picking design nets.
■	Using display control on page 707	How to limit the data file size.

1. Depending on the license available, you will access either PSpice or PSpice Simulator.

Advanced design entry and simulation setup steps

For more information on this step...	See this...	To find out how to...
■ Create new models.	Chapter 4, “Creating and editing models”	Define models using the Model Editor or Create Subcircuit Format Netlist command.
	Chapter 6, “Analog behavioral modeling”	Define the behavior of a block of analog circuitry as a mathematical function or lookup table.
	Digital device modeling on page 379	Define the functional, timing, and I/O characteristics of a digital part.
■ Create new parts.	Chapter 5, “Creating parts for models”	Create parts either automatically for models using the part wizard or the Parts utility, or by manually defining AKO parts; define simulation-specific properties.
	<i>OrCAD Capture User’s Guide</i>	Create and edit part graphics, pins, and properties in general.
	<i>Design Entry HDL User Guide</i>	
■ Choose a performance package solution algorithm.	Chapter 8, “Setting up analyses and starting simulation”	Choose the solution algorithm that you want to use. Solver 1 works well on larger MOS and bipolar circuits with substantial runtimes.

When netlisting fails or the simulation does not start

If you have problems starting the simulation, there may be problems with the design or with system resources. If there are problems with the design, PSpice¹ displays errors and warnings in the Simulation Output window. You can use the Simulation Output window to get more information quickly about the specific problem.

To get online information about an error or warning shown in the Simulation Output window

1. Select the error or warning message.
2. Press F1.

The following tables list the most commonly encountered problems and where to find out more about what to do.

Things to check in your design

Make sure that...

To find out more, see this...

- | | |
|--|--|
| ■ The model libraries, stimulus files, and include files are configured. | Configuring model libraries on page 245 |
| ■ The parts you are using have models. | Unmodeled parts on page 178 and Defining part properties needed for simulation on page 310 |
| ■ You are not using unmodeled pins. | Unmodeled pins on page 184 |
| ■ You have defined the grounds. | Missing ground on page 184 |
| ■ Every analog net has a DC path to ground. | Missing DC path to ground on page 185 |
| ■ The part template is correct. | Defining part properties needed for simulation on page 310 |
| ■ Hierarchical parts, if used, are properly defined. | <i>OrCAD Capture User's Guide</i> |

-
1. Depending on the license available, you will access either PSpice or PSpice Simulator.

PSpice User Guide

Preparing a design for simulation

Make sure that...

To find out more, see this...

- Ports that connect to the same net have the same name. *OrCAD Capture User's Guide*
-

Things to check in your system configuration

Make sure that...

To find out more, see this...

- Path to the PSpice programs is correct.
 - Directory containing your design has write permission. Your operating system manual
 - Your system has sufficient free memory and disk space. Your operating system manual
-

Using parts that you can simulate

The PSpice part libraries¹ supply numerous parts designed for simulation. These include:

- vendor-supplied parts
- passive parts
- breakout parts
- behavioral parts

The PSpice part libraries also include special parts that you can use for simulation only. These include:

- **stimulus parts** to generate input signals to the circuit (see [Defining stimuli](#) on page 172)
- **ground parts** required by all analog and mixed-signal circuits, which need reference to ground

1. Depending on the license you will use either PSpice or Design Entry HDL -PSpice libraries.

- **simulation control parts** to do things like set bias values (see [Appendix A, “Setting initial state”](#))
- **output control parts** to do things like generate tables and line-printer plots to the PSpice output file (see [Chapter 19, “Other output options”](#))

At minimum, a part that you can simulate has these properties:

- A simulation model to describe the part’s electrical behavior; the model can be:
 - explicitly defined in a model library
 - built into PSpice
 - built into the part (for some kinds of analog behavioral parts)
- A part with modeled pins to form electrical connections in your design.
- A translation from design part to netlist statement so that PSpice can read it in.

Note: Not all parts in the libraries are set up for simulation. For example, connectors are parts destined for board layout only and do not have these simulation properties.

Vendor-supplied parts

The PSpice libraries provide an extensive selection of manufacturers’ analog and digital parts. Typically, the library name reflects the kind of parts contained in the library and the vendor that provided the models.

Example: `MOTOR_RF.OLB` and `MOTOR_RF.LIB` contain parts and models, respectively, for Motorola-made RF bipolar transistors.

Two types of libraries are provided with PSpice:

- [Standard PSpice libraries](#)
- [PSpice Advanced Analysis libraries](#)

Standard PSpice libraries

The standard PSpice libraries feature over 16,000 analog and 1,600 digital and mixed-signal models of devices manufactured in North America, Japan, and Europe.

Use parts from standard PSpice libraries or PSpice Advanced Analysis libraries if you want to analyze the part with PSpice.

The standard PSpice libraries are installed at following locations in the installation directory:

- Capture symbols for standard PSpice libraries at

`\tools\Capture\Library\PSpice\`

Design Entry HDL symbols for standard PSpice libraries at

`<install_dir>\share\library\`

- Standard PSpice model libraries at

`\tools\PSpice\Library\`

The parts in the standard PSpice libraries are listed in the online *PSpice Library List*. For information on finding parts using the online *PSpice Library List*, see [To find parts using the online library lists](#) on page 151. To find out more about each model library, read the comments in the .LIB file header.

PSpice Advanced Analysis libraries

The PSpice Advanced Analysis libraries contain over 4,300 analog parts. The Advanced Analysis libraries contain parameterized and standard parts. The majority of the parts are parameterized. The parametrized parts have tolerance, distribution, optimizable and smoke parameters that are required by the PSpice Advanced Analysis tools. Standard parts in the Advanced Analysis libraries are similar to parts in the standard PSpice libraries.

The parametrized parts are associated with template-based PSpice models. An important advantage of using the template-based PSpice models is that you can pass model parameters as properties from the design entry tool¹. For example, if a template-based model is

1. In this guide, design entry tool is used for both OrCAD Capture and Design Entry HDL. Any differences between the two tools is mentioned, if necessary.

PSpice User Guide

Preparing a design for simulation

associated with a part, the model parameters that you specify on an instance of the part in your design will be passed to the model. There is no need to edit the model itself to change a parameter value. This is unlike the standard PSpice parts that are associated with device characteristic curve-based PSpice models, where you need to edit the model to change a simulation parameter. For more information on template-based and device characteristic curve-based PSpice models, see [Chapter 4, “Creating and editing models.”](#)

Use parametrized parts from Advanced Analysis libraries if you want to analyze the part with an Advanced Analysis tool. Most of the analog parts in the standard PSpice libraries contain smoke parameters. You can use these parts to perform smoke analysis using the Smoke tool in PSpice Advanced Analysis.

This Advanced Analysis tool...	Uses these part parameters...
Sensitivity	Tolerance parameters
Optimizer	Optimizable parameters
Smoke	Smoke parameters
Monte Carlo	Tolerance parameters, Distribution parameters (default parameter value is Flat / Uniform)

Note: You may use a mixture of standard and parameterized parts in your design.

The Advanced Analysis libraries are installed at following locations in the installation directory:

- Capture symbols for Advanced Analysis libraries at
`\tools\Capture\Library\PSpice\AdvAnls\`
Design Entry HDL symbols for Advanced Analysis libraries at
`<install_dir>\share\library\`
- PSpice Advanced Analysis model libraries at
`\tools\PSpice\Library`

PSpice User Guide

Preparing a design for simulation

The parts in the Advanced Analysis libraries are listed in the online *PSpice Advanced Analysis Library List*. For information on finding parts using the online *PSpice Advanced Analysis Library List*, see [To find parts using the online library lists](#) on page 151. To find out more about each model library, read the comments in the .LIB file header.

Part naming conventions

The part names in the PSpice libraries usually reflect the manufacturers' part names. If multiple vendors supply the same part, each part name includes a suffix that indicates the vendor that supplied the model.

Example: The PSpice libraries include several models for the OP-27 opamp as shown by these entries in the online *PSpice Library List*.

Device Type	Generic Name	Part Name	Part Library
Operational Amplifier	OP-27	OP-27C/AD	ANLG_DEV
Operational Amplifier	OP-27	OP-27E/AD	ANLG_DEV
Operational Amplifier	OP-27	OP-27F/AD	ANLG_DEV
Operational Amplifier	OP-27	OP-27G/AD	ANLG_DEV
Operational Amplifier	OP-275	OP-275/AD	ANLG_DEV
Operational Amplifier	OP-275	OP-275G/AD	ANLG_DEV
Operational Amplifier	OP279	OP279/AD	ANLG_DEV
Operational Amplifier	OP279G	OP279G/AD	ANLG_DEV
Operational Amplifier	OP-27A	OP-27A/LT	LIN_TECH
Operational Amplifier	OP-27C	OP-27C/LT	LIN_TECH
Operational Amplifier	OP-27E	OP-27E/LT	LIN_TECH
Operational Amplifier	OP-27G	OP-27G/LT	LIN_TECH
Operational Amplifier	OP-281	OP-281/AD	ANLG_DEV
Operational Amplifier	OP-282	OP-282/AD	ANLG_DEV
Operational Amplifier	OP-282	OP-282G/AD	ANLG_DEV
Operational Amplifier	OP-283	OP-283/AD	ANLG_DEV
Operational Amplifier	OP-283	OP-283G/AD	ANLG_DEV
Operational Amplifier	OP284	OP284/AD	ANLG_DEV

Notice that there is a generic OP-27 part provided by PSpice, the OP-27/AD from Analog Devices, Inc., and the OP-27/LT from Linear Technology Corporation.

Finding the part that you want

If you are having trouble finding a part, you can search the libraries for parts with similar names by using either:

- in the design entry tool:
 - the parts browser in Capture and restricting the parts list to those names that match a specified wildcard text string
 - the Component Browser window in Design Entry HDL and restricting the parts list to those names that match a specified wildcard text string,

or

- the online *PSpice Library List* or the *PSpice Advanced Analysis Library List* and searching for the generic part name using capabilities of the Adobe Acrobat Reader (see [To find parts using the online library lists](#) on page 151).

To find parts in Capture using the parts browser

1. In Capture, from the Place menu, choose Part.
2. In the Part Name text box, type a text string with wildcards that approximates the part name that you want to find. Use this syntax:

`<wildcard><part_name_fragment><wildcard>`

where `<wildcard>` is one of the following:

- * to match zero or more characters
- ? to match exactly one character

The parts browser displays only the matching part names.

Note: This method finds any part contained in the current part libraries configuration, including parts for user-defined models.

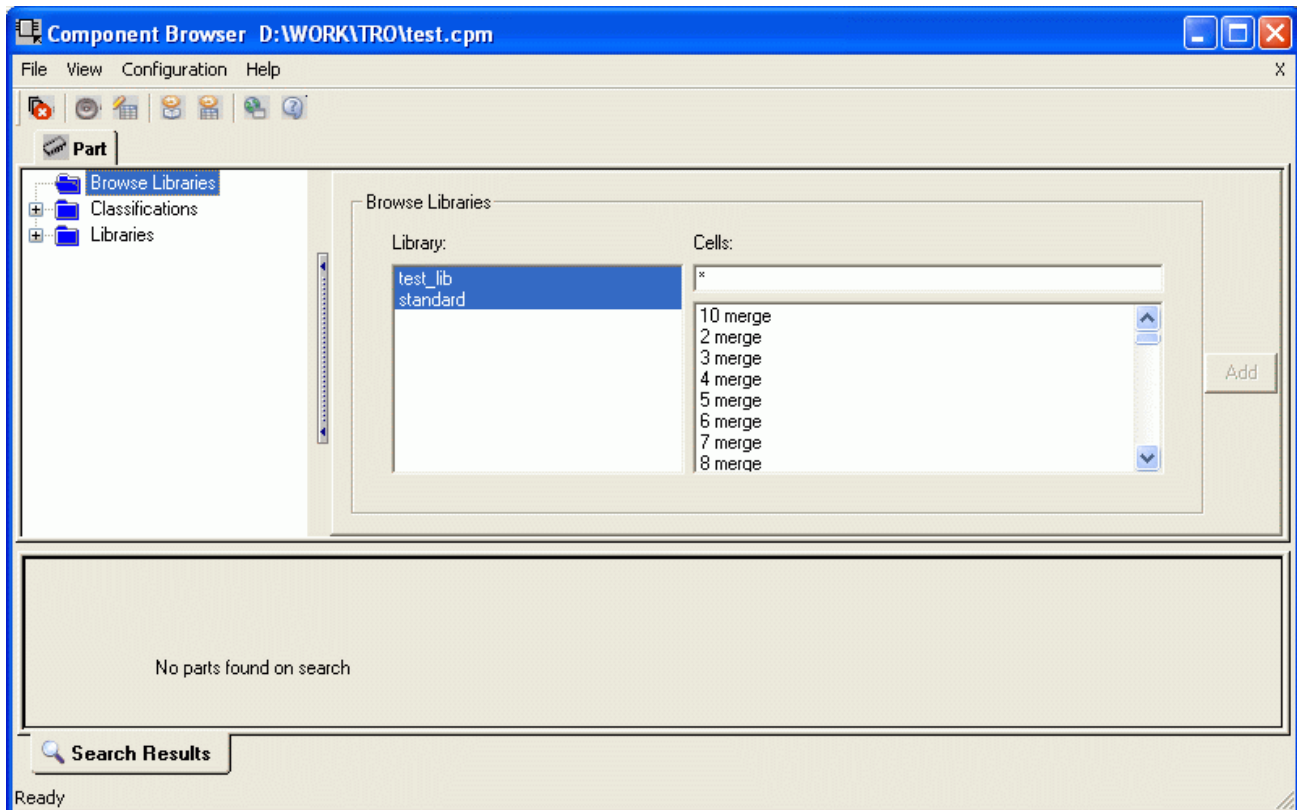
If you want to find out more about a part supplied in the PSpice libraries, such as manufacturer or whether you can simulate it, then search the online library lists (see [To find parts using the online library lists](#) on page 151).

PSpice User Guide

Preparing a design for simulation

To find parts in Design Entry HDL using the Component Browser

1. In Design Entry HDL, from the *Component* menu, choose *Add*.
The Component Browser appears.



2. Select the Library View tab.
3. From the Library list select the library in which you want to search for the part.

Note: The library files supplied with Design Entry HDL are located at the directory `<install_dir>\share\library\`. To have access to specific parts of a library, you must first add the library to list of Project Libraries.

To add a library:

- a. Click on the Setup icon in Project Manager. The Project Setup window appears.
- b. Select the Global tab.

- c. Select the library you want to add from the Available Libraries list.
 - d. Click Add. The library gets added to the Project Libraries list.
 - e. Click OK.
4. In the Cells text box, type a text string with wildcards that approximates the part name that you want to find. Use this syntax:

`<wildcard><part_name_fragment><wildcard>`

where `<wildcard>` is one of the following:

- * to match zero or more characters
- ? to match exactly one character

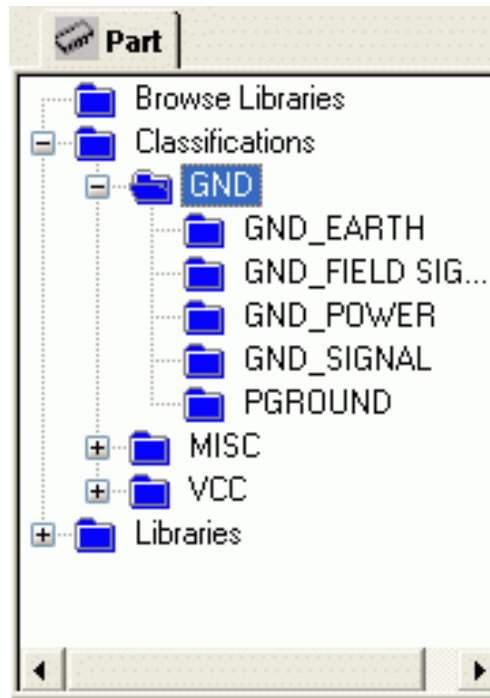
The Component Browser displays only the matching part names.

Note: This method finds any part contained in the current part libraries configuration, including parts for user-defined models. If you want to find out more about a part supplied in the PSpice libraries, such as manufacturer or whether you can simulate it, then search the online library lists (see [To find parts using the online library lists](#) on page 151)

PSpice User Guide

Preparing a design for simulation

You can also use the Classifications list in the Component Browser to search for a part. The Classifications list lets you display categories of parts arranged hierarchically.



You can select a category and view all the physical parts in the selected category. This allows you to select the exact physical part and place it in the logical design.

To find parts using the online library lists

Separate library lists are provided for standard PSpice libraries and Advanced Analysis libraries. The parts in the standard PSpice libraries are listed in the online *PSpice Library List*. The parts in the Advanced Analysis libraries are listed in the online *PSpice Advanced Analysis Library List*.

1. Do one of the following:
 - From the Windows Start menu, choose the installed Cadence release and then choose *Cadence Help*.
 - From the Help menu in PSpice, choose Documentation.

The Cadence Help window appears.

2. Click the PSpice category to show the documents in the category.
3. Double-click PSpice Library List or PSpice Advanced Analysis Library List.

This opens the library list in your web browser.

4. Follow the instructions in the second page of the library list to use the library list.

Note: This method finds only the parts that PSpice supplies that have models.

If you want to include user-defined parts in the search, use the parts browser in Capture (see [To find parts in Capture using the parts browser](#) on page 148).

Passive parts

The PSpice libraries supply several basic parts based on the passive device models built into PSpice. These are summarized in the following table.

Table 3-1 Passive parts

These parts are available...	For this device type...	Which is this PSpice device letter...
C C_VAR	capacitor	C
L R R_VAR	inductor resistor	L R
XFRM_LINEAR K_LINEAR	transformer	K and L
T TLOSSY	ideal transmission line Lossy transmission line	T T

Table 3-1 Passive parts

These parts are available...	For this device type...	Which is this PSpice device letter...
T _n COUPLED ¹ T _n COUPLEDX ² KCOUPLE _n ²	coupled transmission line	T and K

1. For these device types, the PSpice libraries supply several parts. Refer to the online *PSpice Reference Guide* for the available parts.

To find out more about how to use these parts and define their properties, look up the corresponding PSpice device letter in the *Analog Devices* chapter in the online *PSpice Reference Guide*, and then see the *Capture Parts* sections.

Breakout parts

The PSpice libraries supply passive and semiconductor parts with default model definitions that define a basic set of model parameters. This way, you can easily:

- assign device and lot tolerances to model parameters for Monte Carlo and sensitivity/worst-case analyses.

To find out more about models, see [What are models?](#) on page 191. To find out more about Monte Carlo and sensitivity/worst-case analyses, see [Chapter 13, “Monte Carlo and sensitivity \(worst-case\) analyses.”](#)

- define temperature coefficients, and
- define device-specific operating temperatures.

To find out more about setting temperature parameters, see the *Analog Devices* chapter of the online *PSpice Reference Guide* and find the device type that you are interested in.

These are called breakout parts and are summarized in the following table.

Table 3-2 Breakout parts

Use this breakout part...	For this device type...	Which is this PSpice device letter...
BBREAK	GaAsFET	B
CBREAK	capacitor	C
DBREAK _x ¹	diode	D
JBREAK _x ¹	JFET	J
KBREAK	inductor coupling	K
LBREAK	inductor	L
MBREAK _x ¹	MOSFET	M
QBREAK _x ¹	bipolar transistor	Q
RBREAK	resistor	R
SBREAK	voltage-controlled switch	S
WBREAK	current-controlled switch	W
XFRM_NONLINEAR	transformer	K and L
ZBREAKN	IGBT	Z

1. For this device type, the PSpice libraries supply several breakout parts. Refer to the online *PSpice Reference Guide* for the available parts.

To find out more about how to use these parts and define their properties, look up the corresponding PSpice device letter in the *Analog Devices* chapter of the online *PSpice Reference Guide*, and then look in the *Capture Parts* section.

Behavioral parts

Behavioral parts allow you to define how a block of circuitry should work without having to define each discrete component.

Analog behavioral parts

These parts use analog behavioral modeling (ABM) to define each part's behavior as a mathematical expression or lookup table. The PSpice libraries provide ABM parts that operate as math functions, limiters, Chebyshev filters, integrators, differentiators, and others that you can customize for specific expressions and lookup tables. You can also create your own ABM parts. For more information, see [Chapter 6, “Analog behavioral modeling.”](#)

Digital behavioral parts

These parts use special behavioral primitives to define each part's functional and timing behavior. These primitives are:

LOGICEXP	to define logic expressions
PINDLY	to define pin-to-pin delays
CONSTRAINT	to define constraint checks

Many of the digital parts provided in the PSpice libraries are modeled using these primitives. You can also create your own digital behavioral parts using these primitives.

For more information, see:

- [Chapter 7, “Digital device modeling”](#)
- the *Digital Devices* chapter in the online *PSpice Reference Guide*.

Simulating asymmetric parts in PSpice

You can simulate packaged asymmetric parts in PSpice. Asymmetric parts consist of a set of symbols with one power symbol that is shared by the other symbols. The symbols can be placed across pages and blocks but the symbols must have the same reference designator (*LOCATION*). The asymmetric symbols cannot have *SPLIT_INST* or *SPLIT_INST_NAME* properties. In addition, the shared symbol should not have any *PSPICETEMPLATE* property.

PSpice User Guide

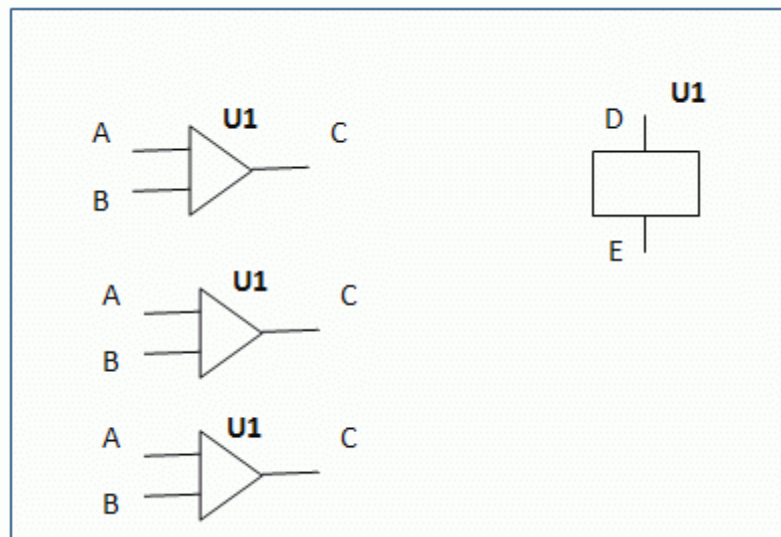
Preparing a design for simulation

The other symbols should have *PSPICETEMPLATE* property for all pins.

Note: The Current/power marker is not plotted for shared symbol.

For example, in the figure the asymmetric part consists of three OpAmp symbols and a power symbol that is shared. In this case, the resulting symbol has five pins, namely A, B, C, and the two power and ground pins D and E. The resultant netlist will read as follows:

```
X_X1 netA1 netB1 netC1 netD netE
X_X2 netA2 netB2 netC2 netD netE
X_X1 netA3 netB3 netC3 netD netE
```



Simulating homogenous parts in PSpice

Homogenous parts that can be simulated in PSpice consist of a set of symbols with the same reference designator (*LOCATION*) and the property *sec* defined on each symbol. The *sec* property has a unique numerical value, which is used to define the different pins. The symbols must have *PSPICE_SPLIT_INST* property set to *TRUE*.

PSpice User Guide

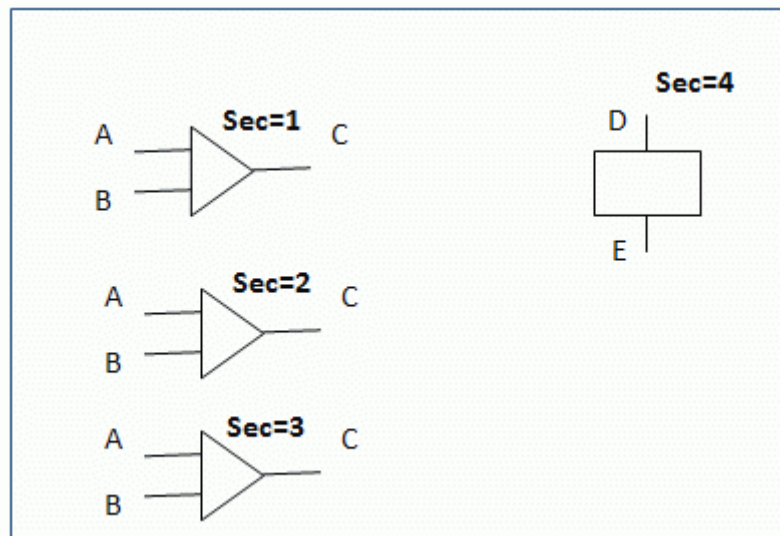
Preparing a design for simulation

For example, in the figure the symbols have sec defined for different values. The resultant symbol has 11 pins and the *PSPICETEMPLATE* property on the pins is:

%A_1 %B_1 %C_1 %A_2 %B_2 %C_2 %A_3 %B_3 %C_3 %D_4 %E_4

The resultant netlist will read as follows:

```
X_X1 netA1 netB1 netC1 netA2 netB2 netC2 netA3 netB3 netB3
      netC3 netD netE
```



Specifying values for part properties

Note the following when specifying values for part properties:

- Do not leave a space between the value and its unit, if the unit is a scale symbol. For example, specify 5K instead of 5 K.

For a listing of the scale symbols, see *Numeric value conventions* in the *Before you begin* chapter of the online *PSpice Reference Guide*.

- Specify tolerance values as percentages. If you specify an absolute value, the tolerance value will be read as an absolute number. For example, if you specify the value of the POSTOL property as a percentage, say 10%, on a 10K resistor, the distribution values will be taken in the range of 10K±1K. If you

specify the tolerance value as an absolute number, say 10, the distribution values will be taken in the range of $10K \pm 10\Omega$.

Using global parameters and expressions for values

In addition to literal values, you can use global parameters and expressions to represent numeric values in your circuit design.

Global parameters

A global parameter is like a programming variable that represents a numeric value by name.

Once you have defined a parameter (declared its name and given it a value), you can use it to represent circuit values anywhere in the design; this applies to any hierarchical level.

When multiple parts are set to the same value, global parameters provide a convenient way to change all of their values for “what-if” analyses. For example, if two independent sources have a value defined by the parameter VSUPPLY, then you can change both sources to 10 volts by assigning the value *once* to VSUPPLY.

Some ways that you can use parameters are as follows:

- Apply the same value to multiple part instances.
- Set up an analysis that sweeps a variable through a range of values (for example, DC sweep or parametric analysis).

Declaring and using a global parameter

To use a global parameter in your design, you need to:

- define the parameter using a PARAM part from the SPECIAL part library, and
- use the parameter in place of a literal value somewhere in your design.

To declare a global parameter in Capture

1. Place a PARAM part in your design.
2. Double-click the PARAM part to display the Parts spreadsheet, then click the New Column or New Row button.

For more information about using the Parts spreadsheet, see the *OrCAD Capture User's Guide*.

3. To avoid adding the new parameter to the selected filter for all parts, change the Filter by field to Current properties.
4. Declare up to three global parameters by doing the following for each global parameter:

- a. Click New.
- b. In the Property Name text box, enter *NAME_n*, then click OK.

This creates a new property for the PARAM part, *NAME_n* in the spreadsheet.

- c. Click in the cell below (to the right of) the *NAME_n* column (or row) and enter a default value for the parameter.
- d. While this cell is still selected, click Display.
- e. In the Display Format frame, select Name and Value, then click OK.

Note: The system variables in [Table 3-5](#) on page 168 have reserved parameter names. Do not use these parameter names when defining your own parameters.

5. Close the Parts spreadsheet.

Example

To declare the global parameter VSUPPLY that will set the value of an independent voltage source to 14 volts, place the PARAM part, and then create a new property named VSUPPLY with a value of 14v.

To declare a global parameter in Design Entry HDL

1. Place a PARAM part in your design.

2. From the *Text* menu in Design Entry HDL, choose *Attributes*.
3. Click on the PARAM part to display the Attributes dialog box.

For more information about using the Attributes dialog box, see the *Design Entry HDL User Guide*.

4. Declare up to three global parameters by doing the following for each global parameter:
 - a. Click Add.
 - b. In the Name text box, enter `NAMEn`.

This creates a new property for the PARAM part, as shown by the new row labeled `NAMEn` in the Attributes dialog box.
 - c. In the Value text box, enter a default value for the parameter.
 - d. In the Visible drop-down, select Both.

Note: The system variables in [Table 3-5](#) on page 168 have reserved parameter names. Do not use these parameter names when defining your own parameters.

5. Click OK to update all the changes to the PARAM part and close the Attributes dialog box.

Example

To declare the global parameter VSUPPLY that will set the value of an independent voltage source to 14 volts, place the PARAM part, and then create a new property named VSUPPLY with a value of 14v.

To use the global parameter in your circuit in Capture

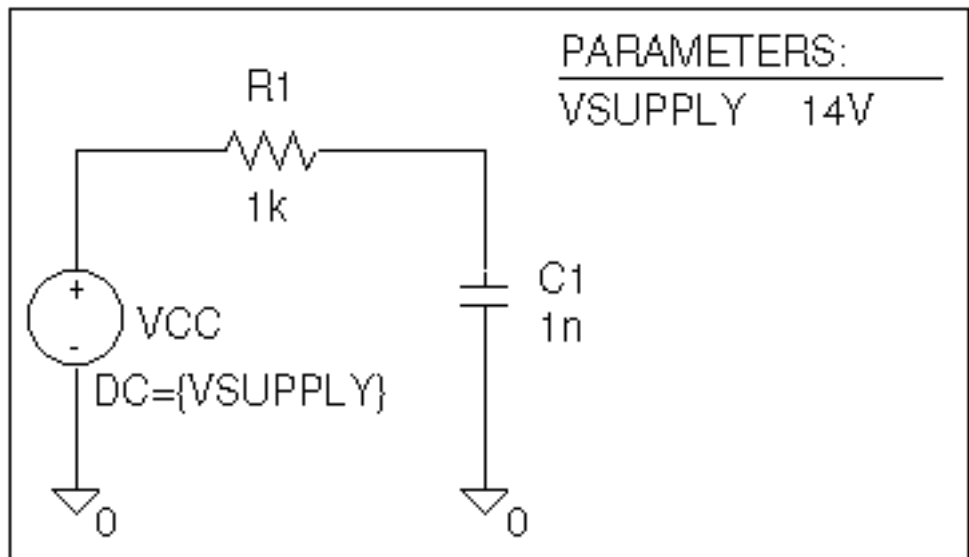
1. Find the numeric value that you want to replace: a component value, model parameter value, or other property value.
2. Replace the value with the name of the global parameter using the following syntax:

```
{ global_parameter_name }
```

The curly braces tell PSpice to *evaluate* the parameter and use its value.

Example

To set the independent voltage source, VCC, to the value of the VSUPPLY parameter, set its DC property to {VSUPPLY}.



To use the global parameter in your circuit in Design Entry HDL

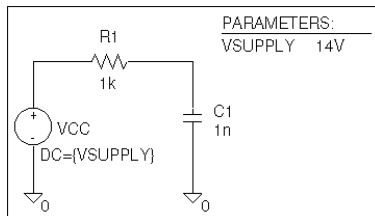
1. Find the numeric value that you want to replace: a component value, model parameter value, or other property value.
2. Replace the value with the name of the global parameter using the following syntax:

{ *global_parameter_name* }

The curly braces tell PSpice to *evaluate* the parameter and use its value.

Example

To set the independent voltage source, VCC, to the value of the VSUPPLY parameter, set its DC property to {VSUPPLY}.



Expressions

An expression is a mathematical relationship that you can use to define a numeric or boolean (TRUE/FALSE) value.

PSpice evaluates the expression to a single value every time:

- it reads in a new circuit, and
- a parameter value used within an expression changes during an analysis.

Example: A parameter that changes with each step of a DC sweep or parametric analysis.

Specifying expressions

To use an expression in your circuit

1. Find the numeric or boolean value you want to replace: a component value, model parameter value, other property value, or logic in an IF function test (see Table 3-4 for a description of the IF function).
2. Replace the value with an expression using the following syntax:

{ *expression* }

where *expression* can contain any of the following:

- standard operators listed in Table 3-3

PSpice User Guide

Preparing a design for simulation

- ❑ built-in functions listed in Table [3-4](#)
- ❑ user-defined functions

For more information on user-defined functions, see the `.FUNC` command in the *Commands* chapter in the online *PSpice Reference Guide*.

- ❑ system variables listed in Table [3-5](#)
- ❑ user-defined global parameters

For more information on user-defined parameters, see [Using global parameters and expressions for values](#) on page 158.

- ❑ literal operands

The curly braces tell PSpice to *evaluate* the expression and use its value.

Example

Suppose you have declared a parameter named `FACTOR` (with a value of 1.2) and want to scale a -10 V independent voltage source, `VEE`, by the value of `FACTOR`. To do this, set the DC property of `VEE` to:

```
{-10*FACTOR}
```

PSpice evaluates this expression to:

```
(-10 * 1.2) or -12 volts
```

Table 3-3 Operators in expressions

This operator class...	Includes this operator...	Which means...
arithmetic	+	addition or string concatenation
	-	subtraction
	*	multiplication
	/	division
	**	exponentiation
logical ¹	~	unary NOT
		boolean OR
	^	boolean XOR
	&	boolean AND
relational ¹	==	equality test
	!=	non-equality test
	>	greater than test
	>=	greater than or equal to test
	<	less than test
	<=	less than or equal to test

1. Logical and relational operators are used within the IF() function; for digital parts, logical operators are used in Boolean expressions.

Table 3-4 Functions in arithmetic expressions

This function...	Means this...
ABS(x)	x
SQRT(x)	$x^{1/2}$
EXP(x)	e^x

PSpice User Guide
Preparing a design for simulation

Table 3-4 Functions in arithmetic expressions, *continued*

This function...	Means this...	
LOG(x)	$\ln(x)$	which is log base e
LOG10(x)	$\log(x)$	which is log base 10
PWR(x,y)	$ x ^y$	
PWRS(x,y)	$+ x ^y$ (if $x > 0$) $- x ^y$ (if $x < 0$)	
SIN(x)	$\sin(x)$	where x is in radians
ASIN(x)	$\sin^{-1}(x)$	where the result is in radians
SINH(x)	$\sinh(x)$	where x is in radians
ASINH(x)	$\sinh^{-1}(x)$	where x is in radians
COS(x)	$\cos(x)$	where x is in radians
ACOS(x)	$\cos^{-1}(x)$	where the result is in radians
COSH(x)	$\cosh(x)$	where x is in radians
ACOSH(x)	$\cosh^{-1}(x)$	where x is in radians
TAN(x)	$\tan(x)$	where x is in radians
ATAN(x) ARCTAN(x)	$\tan^{-1}(x)$	where the result is in radians
ATAN2(y,x)	$\tan^{-1}(y/x)$	where the result is in radians
TANH(x)	$\tanh(x)$	where x is in radians
ATANH(x)	$\tanh^{-1}(x)$	where x is in radians
M(x)	magnitude of x^1	which is the same as ABS(x)
P(x)	phase of x^1	in degrees; returns 0.0 for real numbers
R(x)	real part of x^1	
IMG(x)	imaginary part of x^1	which is applicable to AC analysis only

PSpice User Guide
Preparing a design for simulation

Table 3-4 Functions in arithmetic expressions, *continued*

This function...	Means this...	
DDT(x)	time derivative of x	which is applicable to transient analysis only Note: In waveform analysis, this function is D(x).
SDT(x)	time integral of x	which is applicable to transient analysis only Note: In waveform analysis, this function is S(x).
TABLE(x,x ₁ ,y ₁ ,...)	y value as a function of x	where x _n ,y _n point pairs are plotted and connected by straight lines
MIN(x,y)	minimum of x and y	
MAX(x,y)	maximum of x and y	
LIMIT(x,min,max)	min if x < min max if x > max else x	
SGN(x)	+1 if x > 0 0 if x = 0 -1 if x < 0	
STP(x)	1 if x >= 0 0 if x < 0	which is used to suppress a value until a given amount of time has passed Example: {v(1)*STP(TIME-10ns)} gives a value of 0.0 until 10 nsec has elapsed, then gives v(1).

PSpice User Guide
Preparing a design for simulation

Table 3-4 Functions in arithmetic expressions, *continued*

This function...	Means this...	
IF(t,x,y)	x if t is true y otherwise	where t is a relational expression using the relational operators shown in Table 3-3
Zero(expression)		Expression is evaluated, and the function returns the value as 0
one(expression)		
ceil(<i>arg</i>)	value returned is an integer which is either equal to, or greater than the argument value.	argument should be a numeric value or an expression that evaluates to a numeric value Example: <code>ceil(PI)=4</code> <code>ceil(5)=5</code> <code>ceil(5.4)=6</code>
floor(<i>arg</i>)	value returned is an integer which is either equal to the argument value, or is the nearest integer, smaller than the argument value.	the argument should be a numeric value or an expression that evaluates to a numeric value Example: <code>floor(PI)=3</code> <code>floor(5)=5</code> <code>floor(5.4)=5</code>

Table 3-4 Functions in arithmetic expressions, *continued*

This function...	Means this...	
intq(<i>arg</i>)	returns 1, if <i>arg</i> in an integer else returns 0	The argument passed to this function can be a numeric value or an expression that evaluates to a numeric value.

1. M(x), P(x), R(x), and IMG(x) apply to Laplace expressions only.

The system variables listed in [Table 3-5](#) on page 168, cannot be used in the trace expressions in the Probe window. These variables are supported only by the PSpice engine.

Table 3-5 System variables

This variable...	Evaluates to this...
TEMP	<p>Temperature values resulting from a temperature, parametric temperature, or DC temperature sweep analysis.</p> <p>The default temperature, TNOM, is set in the Options dialog box (from the Simulation Settings dialog box, choose the Options tab). TNOM defaults to 27° C.</p> <p>Note: TEMP can only be used in expressions pertaining to analog behavioral modeling and the propagation delay of digital models.</p> <p>Note: If a passive or semiconductor device has an independent temperature assignment, then TEMP does not represent that device's temperature.</p> <p>To find out more about customizing temperatures for passive or semiconductor devices, refer to the .MODEL command in the <i>Commands</i> chapter in the online <i>PSpice Reference Guide</i>.</p>

Table 3-5 System variables, *continued*

This variable...	Evaluates to this...
TIME	<p>Time values resulting from a transient analysis. If no transient analysis is run, this variable is undefined.</p> <p>Note: TIME can only be used in analog behavioral modeling expressions.</p>
RELTOL	<p>Relative tolerance of Voltage and current</p> <p>The value of this variable is as specified in the Options tab of the Simulation Settings dialog box.</p>
ABSTOL	<p>Current tolerance</p> <p>Describes the best accuracy of currents in a simulation run. The value of this variable is specified in the Options tab of the Simulation Settings dialog box.</p>
VNTOL	<p>Voltage tolerance</p> <p>Describes the best accuracy of voltages in a simulation run. The value of this variable is specified in the Options tab of the Simulation Settings dialog box.</p>
CHGTOL	<p>Charge tolerance</p> <p>Describes the best accuracy of charges. The value of this variable is specified in the Options tab of the Simulation Settings dialog box.</p>
GMIN	<p>Indicates the minimum conductance used for any branch. The value of this variable is specified in the Options tab of the Simulation Settings dialog box.</p>

Table 3-6 Constants in arithmetic expressions,

Constant..	Value
PI	3.14159265

Defining power supplies

For the analog portion of your circuit

If the analog portion of your circuit requires DC power, then you need to include a DC source in your design. To specify a DC source, use one of the following parts.

For this source type...	Use this part...
voltage	VDC or VSRC
current	IDC or ISRC

To find out how to use these parts and specify their properties, see the following:

- [Setting up a DC stimulus](#) on page 481
- [Using VSRC or ISRC parts](#) on page 176

For A/D interfaces in mixed-signal circuits

Default digital power supplies

Every digital part supplied in the PSpice libraries has a default digital power supply defined for its A-to-D or D-to-A interface subcircuit. This means that if you are designing a mixed-signal circuit, then you have a default 5 volt digital power supply built-in to the circuit at every interface.

Custom digital power supplies

If needed, you can customize the power supply for different logic families.

For this logic family...	Use this part...
CD4000	CD4000_PWR
TTL	DIGIFPWR
ECL 10K	ECL_10K_PWR
ECL 100K	ECL_100K_PWR

To find out how to use these parts and specify their digital power and ground pins, see [Specifying digital power supplies](#) on page 659.

Defining stimuli

To simulate your circuit, you need to connect one or more source parts that describe the input signal that the circuit must respond to.

The PSpice libraries supply several source parts that are described in the tables that follow. These parts depend on:

- the kind of analysis you are running,
- whether you are connecting to the analog or digital portion of your circuit, and
- how you want to define the stimulus: using the Stimulus Editor, using a file specification, or by defining part property values.

Analog stimuli

Analog stimuli include both voltage and current sources. The following table shows the part names for voltage sources.

If you want this kind of input...	Use this part for voltage...
For DC analyses See Setting up a DC stimulus on page 481 for more details.	
DC bias	VDC or VSRC
For AC analyses See Setting up an AC stimulus on page 497 for more details.	
AC magnitude and phase	VAC or VSRC
For transient analyses See Defining a time-based stimulus on page 536 for more details.	
exponential	VEXP or VSTIM

PSpice User Guide

Preparing a design for simulation

If you want this kind of input...	Use this part for voltage...
periodic pulse	VPULSE or VSTIM
piecewise-linear	VPWL or VSTIM
piecewise-linear with expressions and warning or error messages	VPWL_abm ¹
piecewise-linear that repeats forever	VPWL_RE_FOREVER or VPWL_F_RE_FOREVER ²
piecewise-linear that repeats n times	VPWL_N_TIMES or VPWL_F_N_TIMES ²
frequency-modulated sine wave	VSFFM or VSTIM
sine wave	VSIN or VSTIM

1. By default it multiplies the signal by GAIN ($\{V(1, \%)*@gain\}$).

PSpice User Guide

Preparing a design for simulation

2. VPWL_F_RE_FOREVER and VPWL_F_N_TIMES are file-based parts; the stimulus specification is saved in a file and adheres to PSpice netlist syntax.



Tip

You can edit *value_expr* property of a VPWL_abm part to specify your own expression. This part also allows you to produce messages for threshold violations. Edit *warn_cond* to specify a warning condition and specify the message to be displayed on the condition in the *warn_message* property. Similarly, you can add an error condition and message by setting the *error_cond_expr* and *error_message* properties.

Note: You can add more than one value-pairs to a part by updating the PSPICETEMPLATES property of the part. For example, to add the property FOURTH_NPAIRS:

```
V^@REFDES %+ %- ?DC|DC @DC| ?AC|AC @AC| PWL
?TSF|TIME_SCALE_FACTOR=@TSF|
?VSF|VALUE_SCALE_FACTOR=@VSF| \n+ REPEAT
FOREVER \n+ @FIRST_NPAIRS
?SECOND_NPAIRS|\n+ @SECOND_NPAIRS
?THIRD_NPAIRS/\n+ @THIRD_NPAIRS/|
?FOURTH_NPAIRS/\n+ @FOURTH_NPAIRS/
ENDREPEAT
```

To determine the part name for an equivalent current source

- ➔ In the table of voltage source parts, replace the first V in the part name with I.

For example, the current source equivalent to VDC is IDC, to VAC is IAC, to VEXP is IEXP, and so on.

Using VSTIM and ISTIM

You can use VSTIM and ISTIM parts to define any kind of time-based input signal. To specify the input signal itself, you need to use the Stimulus Editor. See [The Stimulus Editor utility](#) on page 544.

If you want to specify multiple stimulus types

If you want to run more than one analysis type, including a transient analysis, then you need to use either of the following:

- time-based stimulus parts with AC and DC properties
- VSRC or ISRC parts

Using time-based stimulus parts with AC and DC properties

The time-based stimulus parts that you can use to define a transient, DC, and/or AC input signal are listed below.

VEXP	VSIN
VPULSE	IEXP
VPWL	IPULSE
VPWL_abm	IPWL
VPWL_F_RE_FOREVER	IPWL_F_RE_FOREVER
VPWL_F_N_TIMES	IPWL_F_N_TIMES
VPWL_RE_FOREVER	IPWL_RE_FOREVER
VPWL_RE_N_TIMES	IPWL_RE_N_TIMES
VSFFM	

In addition to the transient properties, each of these parts also has a DC and AC property. When you use one of these parts, you must define all of the transient properties. However, it is common to leave DC and/or AC undefined (blank). When you give them a value, the syntax you need to use is as follows.

This property...	Has this syntax...
DC	<i>DC_value[units]</i>
AC	<i>magnitude_value[units] [phase_value]</i>

For the meaning of transient source properties, refer to the I/V (independent current and voltage source) device type syntax in the *Analog Devices* chapter in the online *PSpice Reference Guide*.

Using VSRC or ISRC parts

The VSRC and ISRC parts have one property for each analysis type: DC, AC, and TRAN. You can set any or all of them using PSpice netlist syntax. When you give them a value, the syntax you need to use is as follows.

This property...	Has this syntax...
DC	<i>DC_value[units]</i>
AC	<i>magnitude_value[units]</i> <i>[phase_value]</i>
TRAN	<i>time-based_type (parameters)</i> where <i>time-based_type</i> is EXP, PULSE, PWL, SFFM, or SIN, and the <i>parameters</i> depend on the <i>time-based_type</i> . For the syntax and meaning of transient source specifications, refer to the I/V (independent current and voltage source) device type in the <i>Analog Devices</i> chapter in the online <i>PSpice Reference Guide</i> .

Note: If you are running a PSpice-only transient analysis, use a VSTIM or ISTIM part if you have the standard package, or one of the other time-based source parts that has properties specific for a waveform shape.

Digital stimuli

If you want this kind of input...	Use this part....
For transient analyses	
signal or bus (<i>n</i> width)	DIGSTIM <i>n</i>
clock signal	DIGCLOCK

PSpice User Guide

Preparing a design for simulation

If you want this kind of input...	Use this part....
1-bit signal	STIM1
4-bit bus	STIM4
8-bit bus	STIM8
16-bit bus	STIM16
file-based signal or bus (n width)	FILESTIM n

You can use the DIGSTIM part to define both 1-bit signal or bus (n width) input signals using the Stimulus Editor.

See [Defining a digital stimulus](#) on page 621 to find out more about:

- all of these source parts, and
- how to use the Stimulus Editor to specify DIGSTIM n (DIGSTIM1, DIGSTIM4, etc.) part.

Things to watch for

This section includes troubleshooting tips for some of the most common reasons your circuit design may not netlist or simulate.

For a roadmap to other commonly encountered problems and solutions, see [When netlisting fails or the simulation does not start on page 142](#).

Unmodeled parts

If you see messages like this in the PSpice Simulation Output window,

```
Warning: Part part_name has no simulation model.
```

then you may have done one of the following things:

- Placed a part from the PSpice libraries that is not available for simulation (used only for board layout).
- Placed a custom part that has been incompletely defined for simulation.

Do this if the part in question is from the PSpice libraries

- Replace the part with an equivalent part from one of the libraries listed in the tables below.
- Make sure that you can simulate the part by checking the following:

- That it has a PSPICETEMPLATE property and that its value is non-blank.

The libraries listed in the tables that follow all contain parts that you can simulate. Some files also contain parts that you can only use for board layout. That's why you need to check the PSPICETEMPLATE property if you are unsure or still getting warnings when you try to simulate your circuit.

- That it has an Implementation Type = PSpice MODEL property and that its Implementation property is non-blank.

PSpice User Guide

Preparing a design for simulation

Note: The PSPICETEMPLATE property is case insensitive, and is shown throughout the documentation in capital letters by convention only.

Table 3-7

**Analog libraries with modeled parts (installed in
\tools\Capture\Library\PSpice or
<install_dir>/share/library/)**

1_SHOT	EPWRBJT	ON_AMP
ABM	FAIRCHILD	ON_BJT
ADV_LIN	FILTSUB	ON_DIODE
AMP	FWBELL	ON_MOS
ANALOG	HARRIS	ON_PWM
ANA_SWIT	IBGT	OPAMP
ANLG_DEV	INFINEON	OPTO
ANL_MISC	IXYS	PHIL_BJT
APEX	JBIPOLAR	PHIL_DIODE
APEX_PWM	JDIODE	PHIL_FET
BIPOLAR	JFET	PHIL_RF
BREAKOUT	JJFET	POLYFET
BUFFER	JOPAMP	PWRBJT
BURR_BRN	JPWRBJT	PWRMOS
CD4000	JPWRMOS	SWIT_RAV
COMLINR	LINEDRIV	SWIT_REG
DATACONV	LIN_TECH	TEX_INST
DARLNGTN	MAGNETIC	THYRISTR
DIODE	MAXIM	TLINE
EBIPOLAR	MIX_MISC	XTAL
EDIODE	MOTORSEN	ZETEX
ELANTEC	MOTOR_RF	
EPCOS	NAT_SEMI	

Digital libraries with modeled parts

7400	74H	DIG_ECL
74AC	74HC	DIG_GAL
74ACT	74HCT	DIG_MISC
74ALS	74L	DIG_PAL
74AS	74LS	DIG_PRIM
74F	74S	

To find out more about a particular library, refer to the online *PSpice Library List* or read the header of the model library file itself.

Check for this if the part in question is custom-built

Are there blank (or inappropriate) values for the part's Implementation and PSPICETEMPLATE properties?

If so, load this part into the part editor and set these properties appropriately. One way to approach this is to edit the part that appears in your design.

To edit the properties for the part in question

1. In the schematic page editor, select the part.
2. From the Edit menu, choose Part.

The part editor window appears with the part already loaded.

3. From the Edit menu, choose Properties and proceed to change the property values.

To find out more about setting the simulation properties for parts, see [Defining part properties needed for simulation](#) on page 310. To find out more about using the part editor, refer to your *OrCAD Capture User's Guide*.

To edit the symbol properties in Design Entry HDL, do the following:

1. From the *File* menu in Design Entry HDL, choose *Open* to display the View Open dialog box.
2. Select the library in which the part exists from the Library drop-down.

The parts in the library are displayed in the Cells list.
3. Select the part whose properties you want to set.

The part name is displayed in the Cell text box.
4. Select Symbol from the View drop-down
5. Click Open to view the symbol for the part in Design Entry HDL.
6. From the Text menu, choose Attributes.
7. Click on the origin of the symbol to display the Attributes dialog box.
8. Verify that the properties are specified correctly and make the required changes.
9. Click OK to close the Attributes dialog box.
10. From the File menu, choose Save.

To find out more about setting the simulation properties for parts, see [Defining part properties needed for simulation](#) on page 310. To find out more about using the Part Developer, refer to your *Part Developer User Guide*.

Unconfigured model, stimulus, or include files

If you see messages like these in the PSpice Simulation Output window,

```
(design_name) Floating pin: refdes pin pin_name  
Floating pin: pin_id  
File not found  
Can't open stimulus file
```

PSpice User Guide

Preparing a design for simulation

or messages like these in the PSpice output file,

```
Model model_name used by device_name is undefined.  
Subcircuit subckt_name used by device_name is undefined.  
Can't find .STIMULUS "refdes" definition
```

then you may be missing a model library, stimulus file, or include file from the configuration list, or the configured file is not on the library path.

Check for this

- Does the PSpice library configuration file NOM.LIB appear in the Library files list in the Configuration Files tab in the Simulation Profile?
- Does the relevant model library, stimulus file, or include file appear in the configuration list?
- If the file is configured, does the default library search path include the directory path where the file resides, or explicitly define the directory path in the configuration list?

If the file is not configured, add it to the list and make sure that it appears before any other library or file that has an identically-named definition.

To find out more about how to configure these files and about search order, see [Configuring model libraries](#) on page 245. To find out more about the default configuration, see [How are models organized?](#) on page 192.

To view the configuration list

1. In the Simulation Settings dialog box, click the Configuration Files tab and view the Library, Include, and Stimulus files lists.

If the directory path is not specified in each, update the default library search path or change the file entry in the configuration list to include the full path specification.

To view the default library search path

1. In the Simulation Settings dialog box, click the Configuration Files tab.
2. Click Library in the Category field to display the Library files list.

To find out more about the library search path, see [Changing the library search path](#) on page 254.

Unmodeled pins

If you see messages like these in the PSpice Simulation Output window,

```
Warning: Part part_name pin pin_name is unmodeled.  
Warning: Less than 2 connections at node node_name.
```

or messages like this in the PSpice output file,

```
Floating/unmodeled pin fixups
```

then you may have drawn a wire to an unmodeled pin.

The PSpice libraries include parts that are suitable for both simulation and board layout. The unmodeled pins map into packages but have no electrical significance; PSpice ignores unmodeled pins during simulation.

Check for this

Are there connections to unmodeled pins?

If so, do one of the following:

- Remove wires connected to unmodeled pins.
- If you expect the connection to affect simulation results, find an equivalent part that models the pins in question and draw the connections. To find out more about searching for parts, see [Finding the part that you want](#) on page 147.

Missing ground

This problem applies to analog-only and mixed-signal circuits.

If for *every net* in your circuit you see this message in the PSpice output file,

```
ERROR -- Node node_name is floating.
```

then your circuit may not be tied to ground.

Check for this

Are there ground parts named 0 (zero) connected appropriately in your design?

If not, place and connect one (or more, as needed) in your design. You can use the 0 (zero) ground part in SOURCE.OLB or any other ground part as long as you change its name to 0.

Missing DC path to ground

This problem applies to analog-only and mixed-signal circuits.

If for *selected nets* in your circuit you see this message in the PSpice output file,

```
ERROR -- Node node_name is floating.
```

then you may be missing a DC path to ground.

Check for this

Are there any nets that are isolated from ground by either open circuits or capacitors?

If so, then add a very large (for example, 1 Gohm) resistor either:

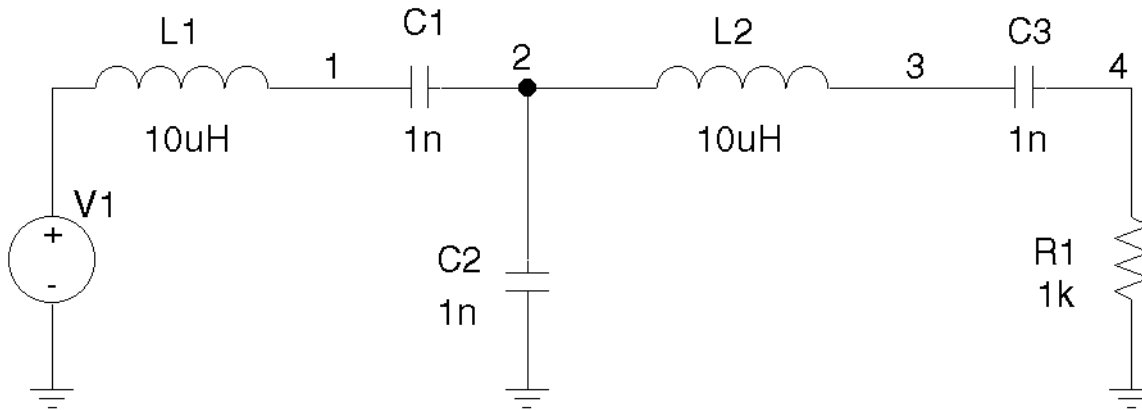
- in parallel with the capacitor or open circuit, or
- from the isolated net to ground.

Note: When calculating the bias point solution, PSpice treats capacitors as open circuits and inductors as short circuits.

PSpice User Guide

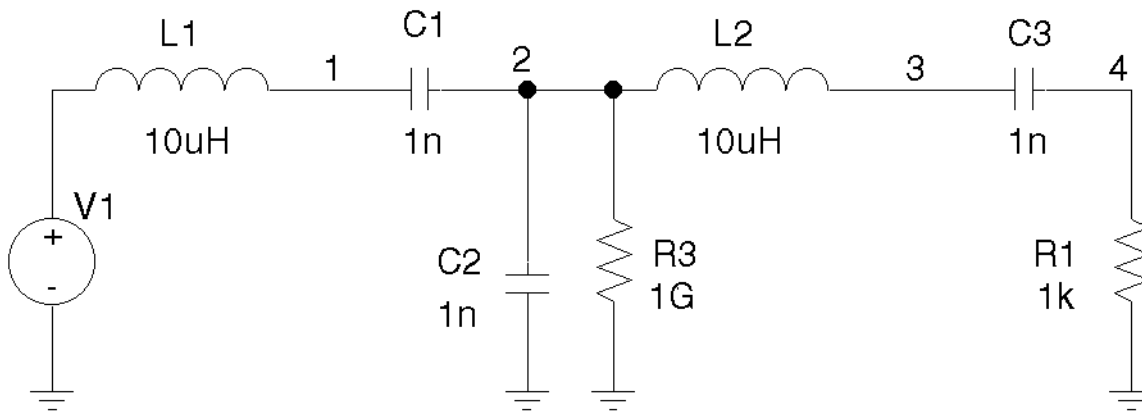
Preparing a design for simulation

Example: The circuits shown below connects capacitors (DC open circuits) such that both ends of inductor L2 are isolated from ground.



Circuit in Design Entry HDL

When simulated, PSpice flags nets 2 and 3 as floating. The following topology solves this problem.



Creating and editing models

Chapter overview

This chapter provides information about creating and editing models for parts that you want to simulate.

Topics are grouped into four areas introduced later in this overview. If you want to find out quickly which tools to use to complete a given task and how to start, then:

1. Go to the roadmap in [Ways to create and edit models](#) on page 198.
2. Find the task you want to complete.
3. Go to the sections referenced for that task for more information about how to proceed.

Background information

These sections present model library concepts and an overview of the tools that you can use to create and edit models:

- [What are models?](#) on page 189
- [How are models organized?](#) on page 190
- [Tools to create and edit models](#) on page 197

Task roadmap

This section helps you find other sections in this chapter that are relevant to the model editing task that you want to complete:

- [Ways to create and edit models](#) on page 198

How to use the tools

These sections explain how to use different tools to create and edit models on their own and when editing schematic pages or parts:

- For a list of device types that the Model Editor supports, see Table 4-2 and Table 4-3. If the Model Editor does not support the device type for the model definition that you want to create, then you can use a standard text editor to create a model definition using the PSpice¹ .MODEL and .SUBCKT command syntax. Remember to configure the new model library (see [Configuring model libraries](#) on page 243).
- [Editing model text](#) on page 234
- [Using the Create Subcircuit Format Netlist command \(Capture only\)](#) on page 237

Other useful information

These sections explain how to configure and reuse models after you have created or edited them:

- [Changing the model reference to an existing model definition](#) on page 239
- [Reusing instance models](#) on page 240
- [Configuring model libraries](#) on page 243

1. Depending on the license available, you will access either PSpice or PSpice Simulator.

What are models?

A model defines the electrical behavior of a part. On a schematic page, this correspondence is defined by the Implementation property on the part, which is assigned the model name.

Depending on the device type that it describes, a model is defined as one of the following:

- a model parameter set
- a subcircuit netlist

Both ways of defining a model are text-based, with specific rules of syntax.

Models defined as model parameter sets

PSpice has built-in algorithms or models that describe the behavior of many device types. The behavior of these *built-in models* is described by a *set of model parameters*.

You can define the behavior for a device that is based on a built-in model by setting all or any of the corresponding model parameters to new values using the PSpice .MODEL syntax. For example:

```
.MODEL MLOAD NMOS  
+ (LEVEL=1 VTO=0.7 CJ=0.02pF)
```

Note: In addition to the analog models built into PSpice, the .MODEL syntax applies to the timing and I/O characteristics of digital parts.

Models defined as subcircuit netlists

For some devices, there are no PSpice built-in models that can describe their behavior fully. These types of devices are defined using the PSpice .SUBCKT/.ENDS or *subcircuit syntax* instead.

Subcircuit syntax includes:

- *Netlists* to describe the structure and function of the part.
- *Variable input parameters* to fine-tune the model.

For example:

PSpice User Guide

Creating and editing models

```
* FIRST ORDER RC STAGE
.SUBCKT LIN/STG IN OUT AGND
+ PARAMS: C1VAL=1 C2VAL=1 R1VAL=1 R2VAL=1
+          GAIN=10000
C1 IN  N1  {C1VAL}
C2 N1  OUT {C2VAL}
R1 IN  N1  {R1VAL}
R2 N1  OUT {R2VAL}
EAMP1 OUT AGND VALUE={V(AGND,N1)*GAIN}
.ENDS
```

To find out more about PSpice command and netlist syntax, refer to the online *PSpice Reference Guide*.

How are models organized?

The key concepts behind model organization are as follows:

- Model definitions are saved in files called model libraries.
- Model libraries must be configured so that PSpice searches them for definitions.
- Depending on the configuration, model libraries are available either to a specific profile, to a specific design or to all (global) designs. For more information, see [Global vs. design vs. profile models and libraries](#) on page 191.

Model libraries

Device model and subcircuit definitions are organized into model libraries. Model libraries are text files that contain one or more model definitions. Typically, model library names have a `.LIB` extension.

Most model libraries contain models of similar type. For vendor-supplied models, libraries are also partitioned by manufacturer. For example, `MOTOR_RF.LIB` contains models for Motorola-made RF bipolar transistors.

To find out more about the models contained in a model library, read the comments in the file header.

Note: You can use the PSpice Model Editor, or any standard text editor, to view model definitions in libraries.

Model library configuration

PSpice searches model libraries for the model names specified by the MODEL implementation for parts in your design. These are the model definitions that PSpice uses to simulate your circuit.

For PSpice to locate these model definitions, you must configure the libraries. This means:

- Specifying the directory path or paths to the model libraries.
- Naming each model library that PSpice should search and listing them in the desired search order.
- Assigning global, design or profile scope to the model library.

To optimize the model library search, PSpice uses indexes. To find out more about this and how to add, delete, and rearrange configured libraries, see [Configuring model libraries](#) on page 243.

Global vs. design vs. profile models and libraries

Model libraries and the models they contain have either profile, design or global application to your designs.

Profile models

Profile models apply to one profile. You can create models using the Model Editor and then manually configure the new libraries for a specific profile.

Example usage: To set up device and lot tolerances on the model parameters for a particular part instance when running a Monte Carlo or sensitivity/worst-case analysis using a specific profile.

Design models

Design models apply to one design. The *schematic page editor* automatically creates a design model whenever you modify the model definition for a part instance on your schematic page. You can also create models externally and then manually configure the new libraries for a specific design.

PSpice User Guide

Creating and editing models

Example usage: To set up device and lot tolerances on the model parameters for a particular part instance when running a Monte Carlo or sensitivity/worst-case analysis.

Global models

Global models are available to all designs you create. The *part editor* automatically creates a global model whenever you create a part with a new model definition. The Model Editor also creates global models. You can also create models externally and then manually configure the new libraries for use in all designs.

To find out how to change the profile, design and global configuration of model libraries, see [Changing the model library scope from profile to design, profile to global, design to global and vice versa](#) on page 249.

PSpice searches profile libraries before design libraries and design libraries before global libraries. To find out more, see [Changing model library search order](#) on page 250.

Nested model libraries

Besides model and subcircuit definitions, model libraries can also contain references to other model libraries using the PSpice .LIB syntax. When searching model libraries for matches, PSpice also scans these referenced libraries.

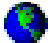
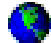
Example: Suppose you have two custom model libraries, MYDIODES.LIB and MYOPAMPS.LIB, that you want PSpice A/D to search any time you simulate a design. Then you can create a third model library, MYMODELS.LIB, that contains these two statements:

```
.LIB mydiodes.lib  
.LIB myopamps.lib
```

and configure MYMODELS.LIB for global use. Because MYDIODES.LIB and MYOPAMPS.LIB are referenced from MYMODELS.LIB, they are automatically configured for global use as well.

PSpice-provided models

The model libraries that you initially install with your PSpice programs are listed in `NOM.LIB`. This file demonstrates how you can nest references to other libraries and models.

If you click the Configuration Files tab in the Simulation Settings dialog box and view the Library files list immediately after installation, you see the  `NOM.LIB` entry in the Library files list. The  icon means that this model library and any of the model libraries it references contain global model definitions.

Model library data

Information contained in PSpice model libraries can be classified as:

- [Simulation information](#)
- [Device information](#)

Simulation information

Simulation information is also termed as model information and is used while simulating the models. Depending on the method of creation, PSpice simulation models are of two types:

- [Device characteristic curves-based models](#)
- [Template-based models](#)

Device characteristic curves-based models

Simulation models based on the device characteristic curves are the models that are historically being used in the PSpice flow. You can extract device parameters based on the device characteristic curves in the data sheets.

For a list of device characteristic curve-based models provided with PSpice, refer to the online *PSpice Library List*.

Template-based models

These simulation models are based on PSpice-provided templates and are a new addition to the PSpice model library. Simulation models that are based on PSpice provided templates are also referred to as parameterized models. Parameterized models are specified in terms of model parameters. Changing a parameter changes the behavior of the model. Template-based PSpice models describe the analog simulation behavior of a device in terms of parametric equations. These models are of the .SUBCKT type. The .SUBCKT wrapper enables symbol properties to be passed as parameters to the simulator.

The PSpice-provided templates are available in the `TEMPLATES.LIB` file. This is an encrypted file, and template-based models are wrappers to this file.

The main advantage of using template-based models is that simulation parameter values can be passed as properties from the design entry tool¹. Besides this, parameterized models are best suited to be used with PSpice Advanced Analysis, and also for performing statistical analysis for variations in model parameters.

For a list of template-based device models provided with PSpice, refer to the online *PSpice Advanced Analysis Library List*.

For a description of models supported by the Model Editor, see [Model Editor-supported device types based on PSpice templates](#) on page 211.

Device information

Information that is specific to each device, such as simulation parameter tolerance and maximum operating conditions, is termed as device information. The device information is stored in the device property file and is required by PSpice Advanced Analysis. To know more about the device property file, see *Appendix A, Property Files* in the *PSpice Advanced Analysis User's Guide*.

1. In this guide, design entry tool is used for both OrCAD Capture and Design Entry HDL. Any differences between the two tools is mentioned, if necessary.

You can use the Model Editor to add device information to a model. For template-based simulation models, you can add smoke and tolerance information. For other simulation models, you can add only the smoke information.

Tolerance information is required to perform a Monte Carlo and Sensitivity/Worst-Case analysis. To know more about Monte Carlo and Sensitivity/Worst-Case analysis, see *PSpice Advanced Analysis User's Guide*.

The tolerance information is added in the Simulation Parameters frame but smoke information can be added or modified only if you have Advanced Analysis installed. See [Adding tolerance information](#) on page 210

To know more about how to add smoke information to a model using the Model Editor, see [Handling smoke information using the Model Editor](#) on page 254.

Device characteristic curves-based models vs. Template-based models

Table 4-1 highlights the differences between two types of simulation models.

Table 4-1 Differences between device characteristic curves-based and template-based models

Device characteristic curves-based PSpice models	Template-based PSpice models
They are based on device characteristic curves. Device characteristic curves can be obtained from device datasheets.	They are based on PSpice-provided templates.
They cannot be used for Advanced Analysis Sensitivity, Monte Carlo, and Optimizer runs. They can be used for Advanced Analysis smoke test only if smoke information is explicitly added.	They can be used for all Advanced Analysis runs, such as Sensitivity, Smoke, Monte Carlo, and Optimizer.
All simulation information is contained in the model itself.	Models are wrappers to a template model file. Therefore, both the model and the template model are required for simulation.

Table 4-1 Differences between device characteristic curves-based and template-based models

Device characteristic curves-based PSpice models	Template-based PSpice models
<p>The PSpiceTemplate property must be attached to the symbol for generating the PSpice netlist.</p> <p>To know more about the PSpiceTemplate property, see PSPICETEMPLATE on page 312.</p>	<p>The PSpiceTemplate property is not required on the symbol. The PORT_ORDER information present in the device property file is used for generating the PSpice netlist.</p> <p>Note: The model library and the device property file must have the same name and must be at the same location.</p> <p>To know more about the device property file, see <i>Appendix A, Property Files</i> in the <i>PSpice Advanced Analysis User's Guide</i>.</p>
<p>To modify a simulation property, you need to edit the simulation parameter. This implies that you either update the values in the original model or create an instance model for the design.</p> <p>To know more, see Using the Model Editor to edit the D1 diode model on page 222.</p>	<p>Simulation parameter values can be passed as properties from the schematic editor. This implies that instance-specific values of simulation parameters can be passed from the schematic editor, without changing the original model.</p> <p>To know more, see Changing the level for CA1458 on page 296.</p>
<p>By default, tolerance and smoke information is not available in the models created using the Model Editor.</p>	<p>Tolerance and smoke information for the device is available in the device property file associated with the model library.</p>
<p>Editing model text to add DEV and LOT information does not make the model compatible with Advanced Analysis Monte Carlo run.</p>	<p>If PSpice Advanced Analysis is installed, default values for the smoke parameters are visible through the Model Editor user interface.</p>
<p>Note: The shape and size of the part symbol generated by the Model Editor for the template-based models and device characteristic curves-based models may be different.</p>	

Tools to create and edit models

There are two tools that you can use to create and edit model definitions.

■ The Model Editor

Use the Model Editor when you want to:

- derive models from data sheet curves provided by manufacturers.
- create models based on PSpice-provided templates.
- modify the behavior of a Model Editor-supported model.
- edit the PSpice command syntax (text) for .MODEL and .SUBCKT definitions.

Note: For template-based models, the model text is read-only and cannot be edited using the Model Editor.

Note: The Model Editor is not available with PSpice.

■ Capture

Use the Create Subcircuit Format Netlist command in Capture when you have a hierarchical level in your design that you want to set up as an equivalent part with behavior described as a subcircuit netlist (.SUBCKT syntax).

Note: The Create Subcircuit Format Netlist command does not help you create a hierarchical design. You need to create this yourself before using the Create Subcircuit Format Netlist command. For information on hierarchical designs and how to create them, refer to the *OrCAD Capture User's Guide*.

Note: If you created a subcircuit definition using the Create Subcircuit Format Netlist command and want to alter it, use the Model Editor to edit the definition, or modify the original hierarchical schematic and run Create Subcircuit Format Netlist again to replace the definition.

Ways to create and edit models

This section is a roadmap to other information in this chapter. Find the task that you want to complete, then go to the referenced sections for more information.

If you want to...	Then do this...	To find out more, see this...
■ Create a model from scratch and automatically create a symbol for it to use in any schematic.	Start the Model Editor and enable/disable automatic symbol creation as needed. Then, create or view the model.	Running the Model Editor alone on page 202.
■ Create a model from scratch without a symbol and have the model definition available to any design.		
■ View model characteristics for a part.		
■ Create a new model by copying an existing model	Copy the text of an existing model in a text editor and rename the file. or From the Model menu, choose the Copy From command.	Model Editor Help

PSpice User Guide

Creating and editing models

If you want to...	Then do this...	To find out more, see this...
<ul style="list-style-type: none"> ■ Create or edit the model for an existing symbol and incorporate the changes in all schematics that use that symbol. 	<p>First, create or load the symbol in the design entry tool, and then edit the model using the Model Editor. You can edit models by:</p> <ul style="list-style-type: none"> ■ changing parameter values in the Parameters window. ■ editing text in the Model Text window. 	<p>Running the Model Editor from the schematic editor on page 215.</p> <p>Editing model text on page 234</p>
<ul style="list-style-type: none"> ■ Edit a model to add smoke information. 	<p>Start the Model Editor and open the library with the model, and then add the smoke information.</p> <p>Note: This feature is available only if you have Advanced Analysis installed on your machine.</p>	
<ul style="list-style-type: none"> ■ Define tolerances on model parameters for statistical analysis. 	<p>Select the part instance on your schematic and then edit the model text using the Model Editor.</p> <p>Note: For template-based PSpice models, tolerance information can be added in the Postol and Negtol columns of the Simulation Parameters window.</p>	<p>Editing model text on page 234.</p>
<ul style="list-style-type: none"> ■ Test behavior variations on a part. 	<p>Select the part instance on your schematic and then edit the model using either:</p>	<p>Running the Model Editor from the schematic editor on page 215.</p>
<ul style="list-style-type: none"> ■ Refine a model before making it available to all schematics. 	<ul style="list-style-type: none"> ■ the Model Editor, or ■ editing the Model Text in a text editor. 	<p>Starting the Model Editor on page 216.</p>

If you want to...	Then do this...	To find out more, see this...
■ Derive subcircuit definitions from a hierarchical schematic.	In the Project Manager, select the .DSN file. From the Tools menu, choose Create Netlist, select the PSpice tab, and then check the Create Subcircuit Format Netlist check box.	Using the Create Subcircuit Format Netlist command (Capture only) on page 237.

Note: For a list of device types that the Model Editor supports, see Table 4-2 and Table 4-3. If the Model Editor does not support the device type for the model definition that you want to create, then you can use a standard text editor to create a model definition using the PSpice .MODEL and .SUBCKT command syntax. Remember to configure the new model library (see [Configuring model libraries](#) on page 243).

Using the Model Editor

The Model Editor converts information that you enter from the device manufacturer's data sheet into either:

- model parameter sets using PSpice .MODEL syntax, or
- subcircuit netlists using PSpice .SUBCKT syntax.

Note: The Extract Model view in the Model Editor does not support the following subcircuit constructs:

- optional nodes construct, OPTIONAL:
- variable parameters construct, PARAMS:
- local .PARAM command
- local .FUNC command

To refine the subcircuit definition for these constructs, use the Model Text view in Model Editor, described in [Editing model text](#) on page 234.

PSpice User Guide

Creating and editing models

The Model Editor then saves these definitions to model libraries that PSpice can search when looking for simulation models.

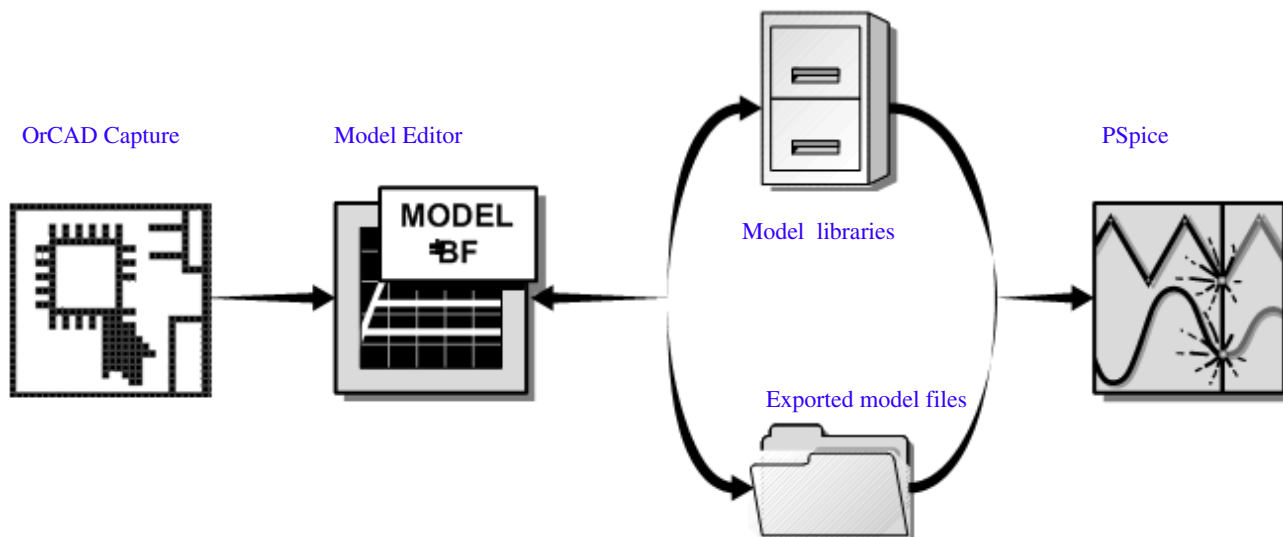


Figure 4-1 Relationship of the Model Editor to design entry tool and PSpice.

Note: By default, the Model Editor creates or updates model libraries. To create an exported model file, choose the Export command from the Model menu and configure it as an include file. For more information, see [How PSpice uses model libraries](#) on page 245.

Note: The Model Editor is not available with PSpice.

Ways to use the Model Editor

You can use the Model Editor in the following ways:

- **To define a new model, and then automatically create a part.** Any new models and parts are automatically available to any design. To find out more, see [Running the Model Editor alone](#) on page 202.
- **To define a new model only (no part).** You can optionally turn off the part creation feature for new models. The model definition is available to any design, for example, by changing the model implementation for a part instance. To find out more, see [Running the Model Editor alone](#) on page 202.

- **To edit a model definition for a part instance on your schematic.** This means you need to start the Model Editor from the schematic editor after selecting a part instance on your schematic. The schematic editor automatically attaches the new model implementation (that the Model Editor creates) to the selected part instance. To find out more, see [Running the Model Editor from the schematic editor](#) on page 215.
- **To examine or verify the electrical characteristics of a model without running PSpice.** This means you can use the Model Editor alone to:
 - check characteristics of a model quickly, given a set of model parameter values, or
 - compare characteristic curves to data sheet information or measured data.

To find out more, see [Running the Model Editor alone](#) on page 202.

- **To add and modify a model definition for parameterized or template-based PSpice models.** This means you can create new parameterized models. You can also edit the existing models in the parameterized libraries to modify the values of simulation parameters.
- Adding and editing smoke data to the models supported by the Model Editor. If you have Advanced Analysis installed on your machine, you can use the Model Editor to add smoke information to device characteristic curves-based PSpice models. Editing of smoke information is possible for all types of PSpice models.

Running the Model Editor alone

Run the Model Editor alone if you want to do any of the following:

- create a model and use the model in any design (and automatically create a part),
- create a model and have the model definition available to any design (without creating a part), or

- examine or verify the characteristics of a given model without using PSpice.

Running the Model Editor alone means that the model you are creating or examining is not currently tied to a part instance on your schematic page or to a part editing session.

Note: You can edit models in the Edit Model View only for device types that the Model Editor supports.

Starting the Model Editor

To start the Model Editor alone

1. From the Start menu, point to Programs, installed OrCAD release, choose *PSpice Accessories* and then choose *Model Editor*.
2. From the File menu, choose *New* or *Open*.

If you have already started the Model Editor from the design entry tool and want to continue working on new models, then:

1. Save the opened model library.
2. Open or create a different model library.
3. Get a model, or create a new one.

Creating models using the Model Editor

Using the Model Editor, you can create models from scratch. The Model Editor supports creation of PSpice models based on device characteristic curves as well as templates. This section covers:

- Creating models based on device characteristic curves
- Creating models based on PSpice templates

Creating models based on device characteristic curves

1. In the Model Editor, open a library.

2. From the Models menu, choose New.
3. Specify the name of the new model in the Model Name text box.
4. Select the Use Device Characteristic Curves option.
5. From the From Model drop-down list, select the device type and click OK.

Note: Depending of the device type, you may have to provide some other details. For example, if the device type is Bipolar Transistor, you will also need to specify if the BJT will be of NPN or PNP type.

All the device characteristic curves for the device and the simulation parameters are displayed. You can now characterize the models by either using data sheets or editing simulation parameter values.

Ways to characterize models

Figure 4-2 shows two ways to characterize PSpice models using the Model Editor.

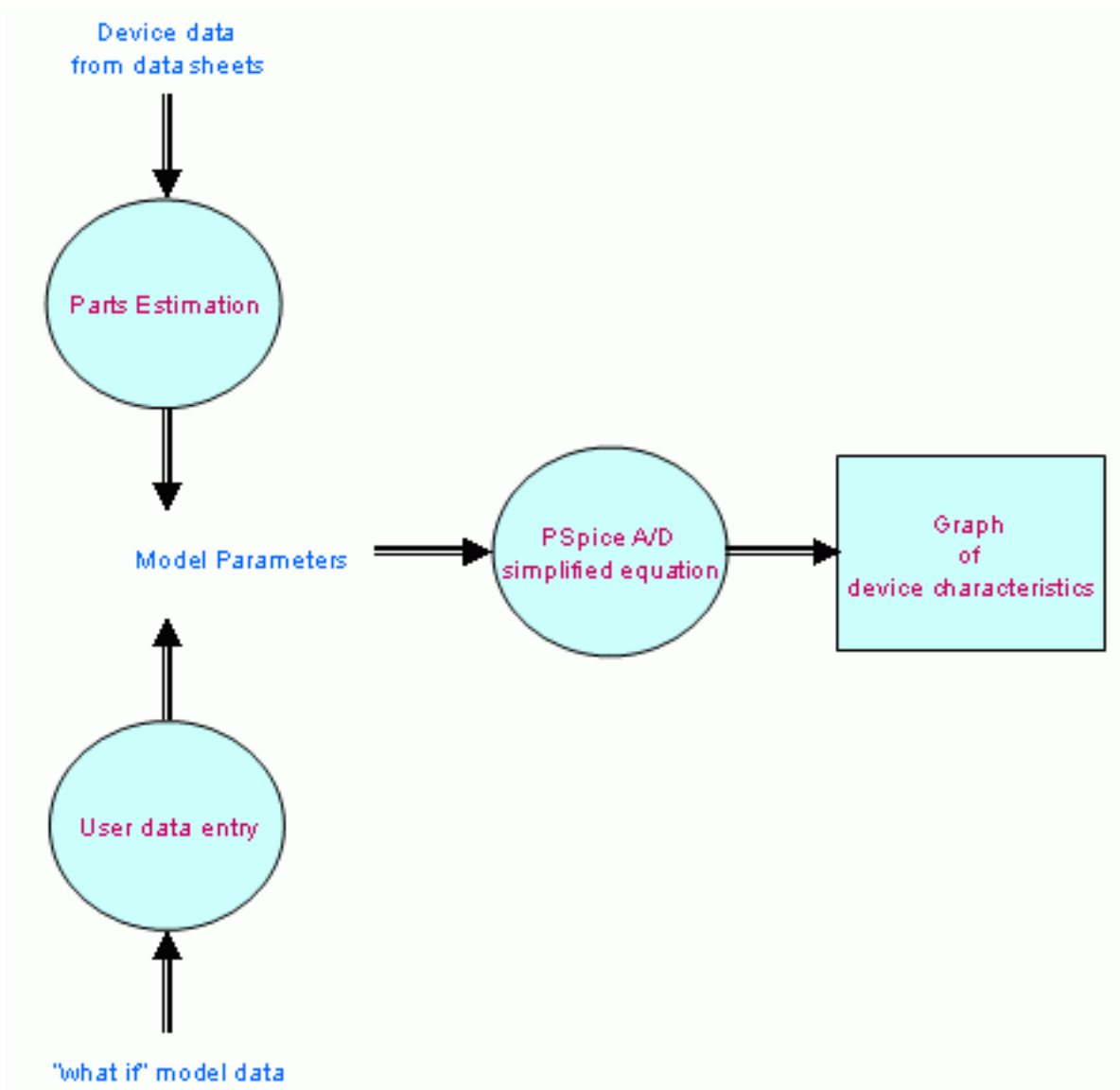


Figure 4-2 Process and data flow for the Model Editor.

Testing and verifying models created with the Model Editor

Each curve in the Model Editor is defined only by the parameters being adjusted. For the diode, the forward current curve *on/y* shows

the part of the current equation that is associated with the forward characteristic parameters (such as IS, N, Rs).

However, PSpice uses the *full* equation for the diode model, which includes a term involving the reverse characteristic parameters (such as ISR, NR). These parameters could have a significant effect at low current.

This means that the curve displayed in the Model Editor does not exactly match what is displayed in PSpice after a simulation. Be sure to test and verify models using PSpice. If needed, fine-tune the models.

Creating models from data sheet information

The most common way to characterize models is to enter data sheet information for each device characteristic. After you are satisfied with the behavior of each characteristic, you can have the Model Editor estimate (or *extract*) the corresponding model parameters and generate a graph showing the behavior of the characteristic. This is called the fitting process.

You can repeat this process, and when you are satisfied with the results, save them; the Model Editor creates model libraries containing appropriate model and subcircuit definitions.

Note: When specifying operating characteristics for a model, you can use typical values found on data sheets effectively for most simulations. To verify your design, you may also want to use best- and worst-case values to create separate models, and then swap them into the circuit design.

Analyzing the effect of model parameters on device characteristics

You can also edit model parameters directly and see how changing their values affects a device characteristic. As you change model parameters, the Model Editor recalculates the behavior of the device characteristics and displays a new curve for each of the affected ones.

PSpice User Guide

Creating and editing models

How to fit models

For a given model, the Model Editor displays a list of the device characteristics and a list of all model parameters and performance curves (see Figure 4-3).

For more information about the characteristics of devices supported by the Model Editor, refer to the online *PSpice Reference Guide*.

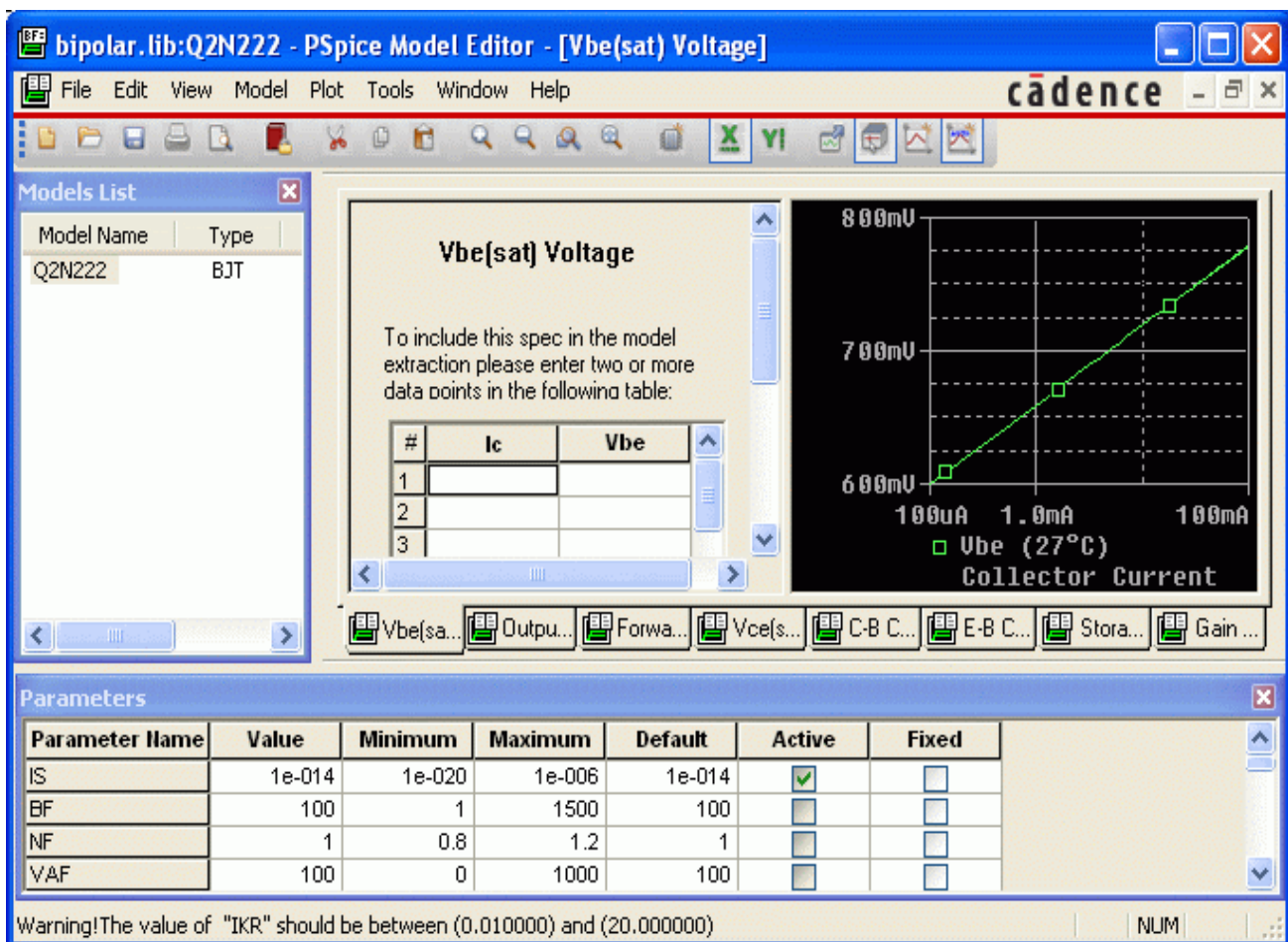


Figure 4-3 Model Editor workspace with data for a bipolar transistor.

To fit the model

1. For each device characteristic that you want to set up:

PSpice User Guide


Creating and editing models

- a. In the Spec Entry frame, click the tab of the device characteristic.
 - b. Enter the device information from the data sheet.
2. From the Tools menu, choose Extract Parameters to extract all relevant model parameters for the current specification.

A check mark appears in the Active column of the Parameters frame for each extracted model parameter. To keep a parameter value fixed, check the Fixed field corresponding to the parameter.

3. Repeat steps 1-2 until the model meets target behaviors.

To view updated performance curves

1. On the toolbar, click the Update Graph button .

Note: If you view performance curves before fitting, then your data points and the curve for the current model specification may not match.

Model Editor-supported device types based on device characteristic curves

Device types that the Model Editor models using the .MODEL statement are based on the models built into PSpice.

Table 4-2 summarizes the device types for which you can create PSpice models based on characteristic curves.

Table 4-2 Device characteristic curves-based device types supported in Model Editor

This part type...	Uses this definition form...	And this name prefix¹...
diode	.MODEL	D
bipolar transistor	.MODEL	Q
bipolar transistor, Darlington model	.SUBCKT	X

Table 4-2 Device characteristic curves-based device types supported in Model Editor

This part type...	Uses this definition form...	And this name prefix ¹ ...
IGBT	.MODEL	Z
JFET	.MODEL	J
MOSFET	.MODEL	M
operational amplifier ²	.SUBCKT	X
voltage comparator	.SUBCKT	X
voltage regulator	.SUBCKT	X
voltage reference	.SUBCKT	X
magnetic core ³	.MODEL	K

1. This is the standard PSpice device letter notation. Refer to the online *PSpice Reference Guide*.
2. Model Editor supports only .SUBCKT models that were created using the Model Editor. However, you can edit the text of a .SUBCKT model created manually or by another tool using the Model Editor. When you load a .SUBCKT model that the Model Editor did not create, the Model Editor displays the text of the model for editing.
3. To find out more about Magnetic Core models, see *PSpice Reference Manual*.

Note: The model parameter defaults used by the Model Editor are different from those used by the models built into PSpice.

Creating models based on PSpice templates

An important advantage of using the template-based PSpice models is that you can pass simulation parameters as properties from the schematic editor. This implies that you can have instance-specific values for the model parameters. To know more about passing parameter values as properties from the schematic editor, see [Changing the level for CA1458](#) on page 296.

For a description of template-based models supported by the Model Editor, see [Model Editor-supported device types based on PSpice templates](#) on page 211.

To create a template-based PSpice model, complete the following steps.

1. In Model Editor, create a new library or open an existing library.
2. From the Model menu, choose New.
3. Specify the name of the new model in the Model Name text box.
4. Select the Use Templates option.
5. From the From Model drop-down list, select the device type.

Depending on the device type, you may have to provide some other details. For example, if the device type is Bipolar Transistor, you will also need to specify if the BJT will be of NPN or PNP type.

6. Click OK.

The Simulation parameters window appears with the default values of all simulation parameters. These values are editable and can be modified as required.

Notice that the Model Text window of a template-based PSpice model is not editable, it is read-only. Also, the model text does not display the port information under the .SUBCKT statement.

Adding tolerance information

While creating template-based simulation models, you can add tolerance information using the Model Editor user interface. Tolerance information is required only for Advanced Analysis Monte Carlo and Sensitivity runs and not for simulating the models.

The Postol, Negtol, and the Distribution columns are used to specify the tolerance information. In the Postol and Negtol columns, specify the positive and negative tolerances, respectively, for each of the simulation parameters. Adding a tolerance value enables the Distribution field for the parameter. The possible distribution types are:

PSpice User Guide

Creating and editing models

- FLAT - Use the flat distribution function if you want an equal probability of one parameter value being chosen over another.
- BSIMD.4.2 - Use the bimodal distribution function if you want to represent the probability of a manufactured component falling in the outer range of tolerance values.
- GAUSS0.4 - Use the Gaussian distribution function if you want a bell curve probability that one parameter value will be chosen versus another.
- SKEW.4.8 - Use the skewed distribution function if you want to weigh the probability of one parameter value being chosen versus another.

By default, the distribution type is FLAT. The distribution type influences the Sensitivity and Monte Carlo analysis. To know more about Sensitivity and Monte Carlo analysis, see *PSpice Advanced Analysis User's Guide*.

To find out more about the distribution functions, see the technical note, *Specifying Advanced Analysis Monte Carlo Distribution Functions* at www.orcadpcb.com.

Model Editor-supported device types based on PSpice templates

Table 4-3 lists the device types for which template-based models can be created using the Model Editor.

Table 4-3 Template-based device types supported in Model Editor

This part type¹...	And this name prefix²...
diode	X
bipolar transistor	X
IGBT	X
JFET	X
Power MOSFET	X
operational amplifier	X

Table 4-3 Template-based device types supported in Model Editor

This part type¹...	And this name prefix²...
voltage regulator	X
magnetic core ³	K

1. For template-based PSpice models the model text is read-only and cannot be edited using the Model Editor.
2. This is the standard PSpice device letter notation. Refer to the online *PSpice Reference Guide*.
3. A template-based magnetic core model is a SpicePlus model. To find out more about Magnetic Core models, see *PSpice Reference Manual*.

Importing an existing model

You can import third-party or vendor-provided Spice models into a format understood by the Model Editor. Importing a model enables editing the model using the Model Editor user interface.

1. Open the Model Editor.

From the Start menu, point to installed OrCAD release in the Programs folder, choose PSpice Accessories and then choose Model Editor.

2. Open a model library.

From the File menu, choose New or Open.

3. From the Model menu, choose Import.

4. Select the file containing the model definition and select Open.

The imported model appears in the model library. Although, only the first model of the selected library file is imported to the Model Editor, it is recommended that the file selected in step 4 should contain only one model definition.



The device property file associated with the model is not imported.

Enabling and disabling automatic part creation

Part creation in the Model Editor is optional. By default, automatic part creation is enabled. However, if you previously disabled part creation, you will need to enable it before creating a new model and part.

Instead of using the PSpice default part set for new models, you can have the Model Editor use your own set of standard parts. To find out more, see [Basing new parts on a custom set of parts](#) on page 302.

To automatically create parts for new models

1. From the Tools menu, choose Options.
2. Select the Always Create Part when Saving Model option if it is not already checked.
3. Under Schematic Editor, select the design entry tool name.
4. Under Save Part To, enter the name of the part library for the new part. Choose either:
 - Part Library Path Same As Model Library to create or open library file (*.olb) in Capture or a directory in Design Entry HDL that has the same name prefix as the currently open model library (*.LIB).

Example: In Capture, if the model library is MYPARTS.LIB, then the Model Editor creates the part library MYPARTS.OLB. Similarly, in Design Entry HDL, if the model library is MYPARTS.LIB, then the Model Editor creates a part directory with the name MYPARTS.
 - User-Defined Part Library, and then enter a file name in the Part Library Name text box.

Note: If you select a user-defined Part library, the Model Editor saves all new parts to the specified file until you change it.

Saving global models (and parts)

When you save your changes, the Model Editor does the following for you:

PSpice User Guide

Creating and editing models

- In capture:
 - Saves the model definition to the model library that you originally opened.
 - If you had the automatic part creation option enabled, saves the part definition to MODEL_LIBRARY_NAME.OLB.
- In Design Entry HDL
 - Saves the model definition to the model library that you originally opened.
 - If you had the automatic part creation option enabled, saves the part definition to a MODEL_LIBRARY_NAME directory that has subfolders for each part. In such cases the part name is same as the model name.
 - Creates a CDS.LIB file. The CDS.LIB file defines the location of the part directory created by the Model Editor.

If you want to save the open model library to a new library, then:

1. From the File menu, choose Save As.
2. Enter the name of the new model library.

If you want to save only the model definition that you are currently editing to a different library, then

1. From the Model menu, select Export.
2. Enter the name of the new file.

Note: When you use the Export command, the model definition is saved with a .MOD extension. You cannot export multiple models to a single MOD file. Exporting a model to the same file overwrites the original contents of the MOD file.

3. If you want PSpice to search this file automatically, configure it in the design entry tool (using the Library files list in the Configuration Files tab on the Simulation Settings dialog box).

You cannot export multiple models to a single MOD file. Exporting a model to the same file overwrites the original contents of the MOD file.

To save the new model (and part)

1. From the File menu, choose Save to update `MODEL_LIBRARY_NAME.LIB`, `MODEL_LIBRARY_NAME.PRP` (and, if you enabled part creation, `MODEL_LIBRARY_NAME` directory), and save them to disk.

Note: To simulate the model, add the Model Library (.LIB) to the project using the PSpice menu, Edit Profile, Simulation Settings dialog box. Click the Configuration Files tab, click Library in the Category field, browse to the Model Library, and click the Add to Design button.

Running the Model Editor from the schematic editor

Start the Model Editor from the schematic editor when you want to:

- in Capture to define tolerances on model parameters for statistical analysis (see [Example: editing a Q2N2222 instance model](#) on page 236)
- test behavior variations on a part, or
- refine a model before making it available to all designs.

This means editing models for part instances on your schematic page. When you select a part instance and edit its model, the Model Editor automatically creates an *instance model* that you can then change.

Once you have started the Model Editor, you can proceed with entering data sheet information and model fitting as described in [How to fit models](#) on page 207.

You can also use the Model Editor to view the syntax for a model definition. When you have finished viewing, be sure to quit the Model Editor without saving the library, so that the schematic page editor does not create an instance model.

Note: When the Model Editor is invoked from a schematic editor, the part creation feature is disabled.

What is an instance model?

An instance model is a *copy* of the part's original model. The copied model is local to the design. You can customize the instance model without impacting any other design that uses the original part from the library.

Instance models are created only when you want to edit models from global libraries. If you open a model for editing from a local library, after editing, the model will be saved in the same local library. For more information on global and local libraries see [Global vs. design vs. profile models and libraries](#) on page 191.

When the schematic editor creates the copy, it saves a copy of the model in `DESIGN_NAME.LIB`.

For more information on instance models, see [Reusing instance models](#) on page 240.

Starting the Model Editor

To start editing an instance model

1. In the design entry tool, select one part on your schematic page.
2. In Capture, choose *Edit - PSpice Model*. In Design Entry HDL, choose *PSpice Simulator - Edit Model*.

The schematic page editor searches the model libraries for the instance model. To find out how design entry tools searches the library, see [Changing model library search order](#) on page 250.

- If found, the schematic page editor starts the Model Editor, which opens the design library and loads the instance model.
- If not found, the schematic page editor assumes that this is a new instance model and does the following: makes a copy of the original model definition in the `DESIGN_NAME.LIB` and starts the Model Editor with the new model loaded.

After you start the Model Editor, you can proceed to change the text as described in [To display the model text](#) on page 234.

Saving design models

When you save your edits, the following is done for you to make sure the instance model is linked to the selected part instances in your design:

- The Model Editor saves the model definition to *DESIGN_NAME.LIB*.
- If the library is new, the Model Editor configures *DESIGN_NAME.LIB* for local use.

The schematic page editor assigns the new model name to the Implementation property for each of the selected part instances (see [What happens if you don't save the instance model](#) on page 217).

To save instance models

1. From the File menu, choose Save to update *DESIGN_NAME.LIB* and save it to disk.

Actions that automatically configure the instance model library for global use

Instance model libraries are normally configured for design use. However, if you perform the following action, the Model Editor configures the library for global use instead:

- Save the model to a different library by typing a new file name in the Library text box in the Save To frame.

To save instance models

1. From the File menu, choose Save to update *DESIGN_NAME.LIB* and save it to disk.

What happens if you don't save the instance model

Before the schematic page editor starts the Model Editor, it does the following:

- Makes a copy of the original model and saves it as an instance model in *SCHEMATIC_NAME.LIB*.

- Configures *SCHEMATIC_NAME*.LIB for design use, if not already done.
- Attaches the new instance model name to the Implementation property for the selected part instance.

This means that if you:

- quit the Model Editor, or
- return to the design entry tool to simulate the design

without first saving the model you are editing, the part instance on your schematic page is still attached to the instance model implementation.

In this case, the instance model is identical to the original model. If you decide to edit this model later, be sure to do one of the following:

- If you want the changes to remain specific to the current design, edit the instance model in the design library using the Model Editor.
- If you want the change to be global, change the model implementation for the part instance in your design back to the original model name in the global library, and then edit the original model from within the part editor.

To find out how to change model references, see [Changing the model reference to an existing model definition](#) on page 239.

Model creation examples

Examples covered in this section cover how to use the Model Editor to create simulation models based on:

- Device characteristic curves. See [Example: Creating a PSpice model based on device characteristic curves](#).
- PSpice-provided templates. See [Example: Creating template-based PSpice model](#) on page 228.

Example: Creating a PSpice model based on device characteristic curves

In this example, you will model a simple diode device as follows:

- Create the schematic for a simple half-wave rectifier.
- Create a new model for a diode.
- Attach new model to the D1 diode.

Creating the half-wave rectifier design

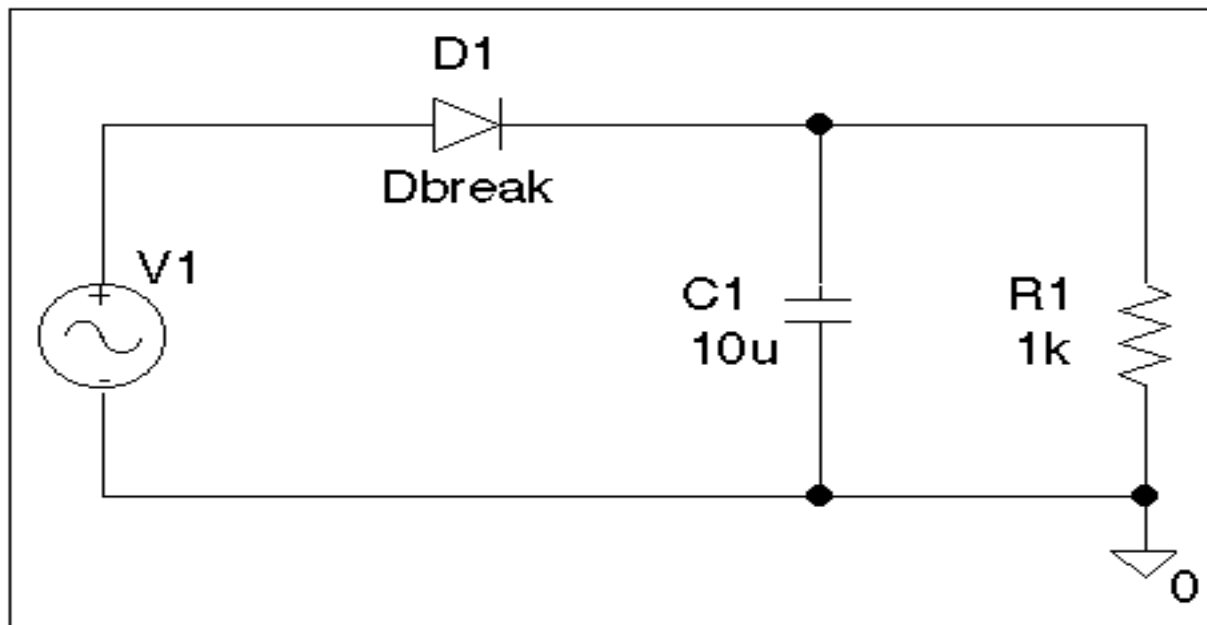



Figure 4-4 Design for a half-wave rectifier.

To create the design in Capture

1. From the Project Manager, from the File menu point to New, then choose Project.
2. In the New Project dialog box, ensure that the Analog or Mixed A/D option is selected.
3. Enter the name of the new project (RECTFR) and click Create.
4. From the Capture Place menu, choose Part.

PSpice User Guide

Creating and editing models

5. Place one each of the following parts (reference designator shown in parentheses) as shown in Figure 4-4:
 - Dbreak (D1 diode)
 - C (C1 capacitor)
 - R (R1 resistor)
 - VSIN (V1 sine wave source)
6. Click the Ground button  on the tool palette and place the '0' analog ground from the SOURCE.OLB part library.
7. From the Place menu, choose Wire, and draw the connections between parts as shown in Figure 4-4.
8. From the File menu, choose Save.

Note: If you were to simulate this design using a transient analysis, you would also need to set up a transient specification for V1; most likely, this would mean defining the VOFF (offset voltage), VAMPL (amplitude), and FREQ (frequency) properties for V1. For this tutorial, however, you will not perform a simulation, so you can skip this step.

9. Invoke Project Manager.
10. In Project Manager, from the File menu, choose New. The New Project Wizard appears.
11. In the Name text box, enter the name of the project (RECTFR).
12. In the Location text box, enter the path to the directory where you want to create the project
13. Click Next. The Project Libraries dialog box appears.
14. Select ANALOG from the list of Available Libraries, and click Add. The ANALOG library is added to the Project Libraries list.
15. Add the following libraries as described in [step 14](#) above:
 - BREAKOUT
 - source
16. Click Next. The Design Name dialog box appears.

17. In the Design Name text box, enter the name of the top level design (RECTFR).
18. Click Next. The Summary dialog box displays the project details.
19. Click Finish to create the project.

To create the design in Design Entry HDL

Create a new design project:

1. Invoke Project Manager.
2. In Project Manager, choose *File – New*. The New Project Wizard appears.
3. In the Name text box, enter the name of the project (RECTFR).
4. In the Location text box, enter the path to the directory where you want to create the project
5. Click *Next*. The Project Libraries dialog box appears.
6. Select ANALOG from the list of Available Libraries, and click *Add*. The ANALOG library is added to the Project Libraries list.
7. Add the following libraries as described in [step 14](#) above:
 - BREAKOUT
 - source
8. Click *Next*. The Design Name dialog box appears.
9. In the Design Name text box, enter the name of the top level design (RECTFR).
10. Click *Next*. The Summary dialog box displays the project details.
11. Click *Finish* to create the project.

To create the design, invoke the Design Entry HDL schematic editor.

1. In Project Manager, click on the Design Entry icon. Design Entry HDL appears.
2. From the Component menu, choose Add. The Component Browser appears.

3. Place one each of the following parts (reference designator shown in parentheses) as shown in [Figure 4-5](#) on page 222:
 - Dbreak (D1 diode) from the BREAKOUT library
 - C (C1 capacitor) from the ANALOG library
 - R (R1 resistor) from the ANALOG library
 - VSIN (V1 sine wave source) from the SOURCE library
 - 0 analog ground from the SOURCE library.

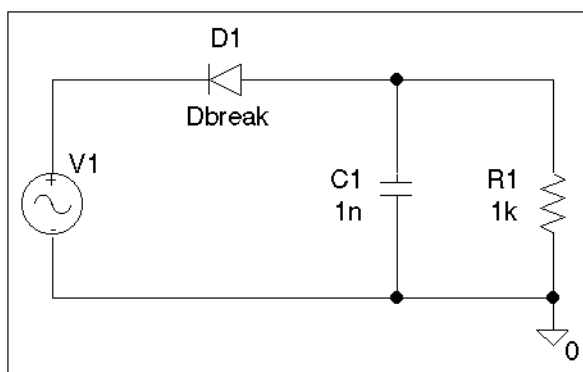


Figure 4-5 Design for a half-wave rectifier.

4. From the Wire menu, choose Draw and draw the connections between parts as shown in [Figure 4-5](#) on page 222.
5. From the File menu, choose Save.

Note: If you were to simulate this design using a transient analysis, you would also need to set up a transient specification for V1; most likely, this would mean defining the VOFF (offset voltage), VAMPL (amplitude), and FREQ (frequency) properties for V1. For this tutorial, however, you will not perform a simulation, so you can skip this step.

Using the Model Editor to edit the D1 diode model

To create a new model and model library

1. Open the Model Editor.
2. From the File menu in the Model Editor, choose New.

PSpice User Guide

Creating and editing models

3. From the Model menu, choose New.
4. In the New dialog box, do the following:
 - a. In the Model Name text box, type DbreakX.
 - b. Select Use Device Characteristic Curves.
 - c. From the From Model list, select Diode.
 - d. Click OK.
5. From the File menu, choose Save.

By default, the updated model is saved in the RECTFR.LIB library.

Entering data sheet information

As shown in Figure 4-6, the Model Editor initially displays:

- diode model characteristics listed in the Models List window, and
- DbreakX model parameter values listed in the Parameters

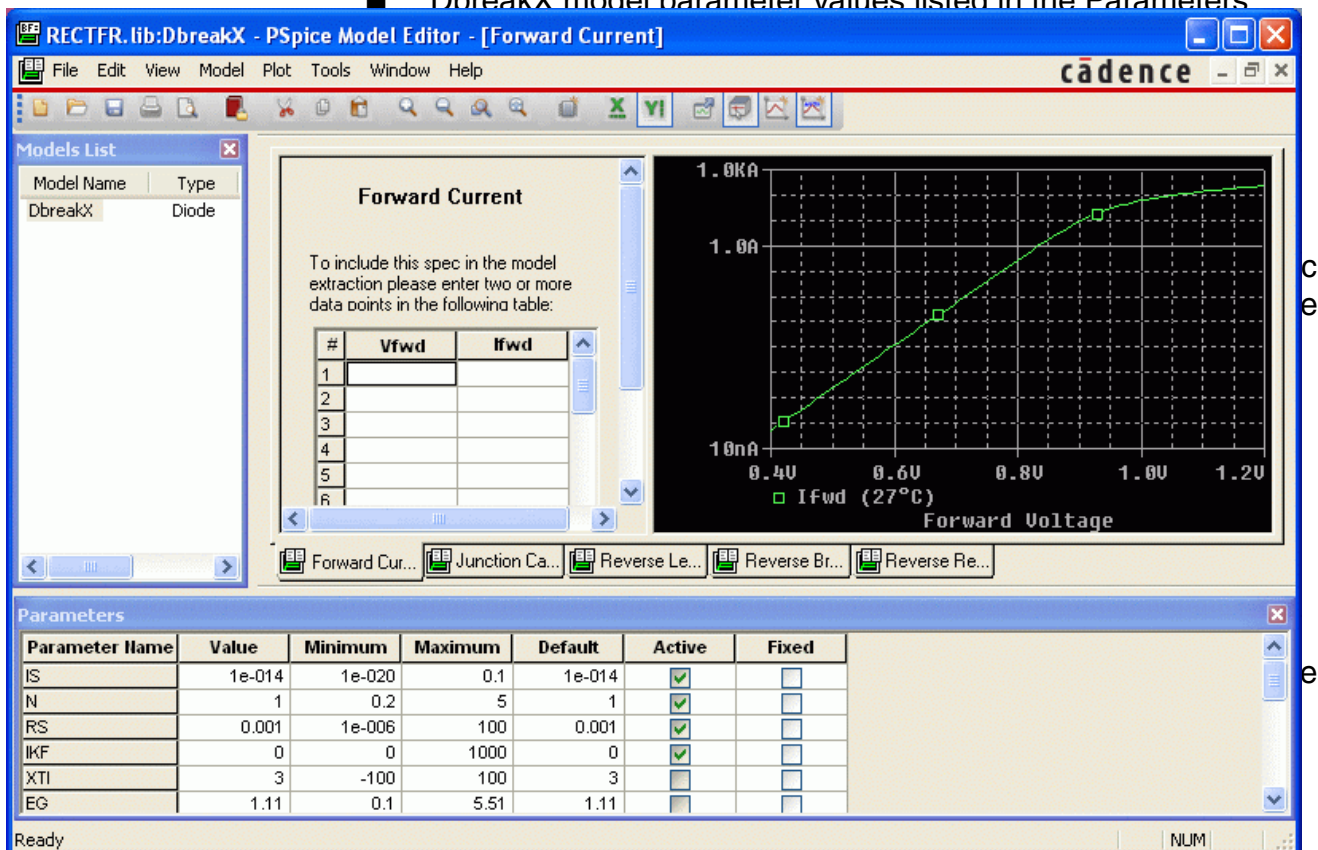


Table [4-4](#) lists the data sheet information for the DbreakX model.

Table 4-4 Sample diode data sheet values

For this model characteristic...	Enter this...
forward current	(1.3, 0.2)
junction capacitance	(1m, 120p) (1, 73p) (3.75, 45p)
reverse leakage	(6, 20n)
reverse breakdown	(Vz=7.5, Iz=20m, Zz=5)
reverse recovery	no changes

To change the Forward Current characteristic

1. In the Spec Entry frame, click the Forward Current tab.

This tab requires curve data.

2. In the Vfwd text box, type 1 . 3.
3. Press *Tab* to move to the Ifwd text box, and then type 0 . 2.

To change the values for Junction Capacitance and Reverse Leakage

Follow the same steps as for Forward Current, entering the data sheet information listed in Table [4-4](#) that corresponds to the current model characteristic.

To change the Reverse Breakdown characteristic

1. In the Spec Editing frame, click the Reverse Breakdown tab.

This tab requires single-valued data.

2. In the Vz text box, type 7 . 5.

Note: The Model Editor accepts the same scale factors normally accepted by PSpice.

3. Press *Tab* to move to the Iz text box, and then type 2.0m.
4. Press *Tab* to move to the Zz text box, and then type 5.

Extracting model parameters

To generate new model parameter values

1. From the Tools menu, choose Extract Parameters.

A check mark appears in the Active column of the Parameters frame for each extracted model parameter.

To display the curves for the five diode characteristics

1. From the Window menu, choose Tile.

Some of the plots are shown in Figure 4-7 below.

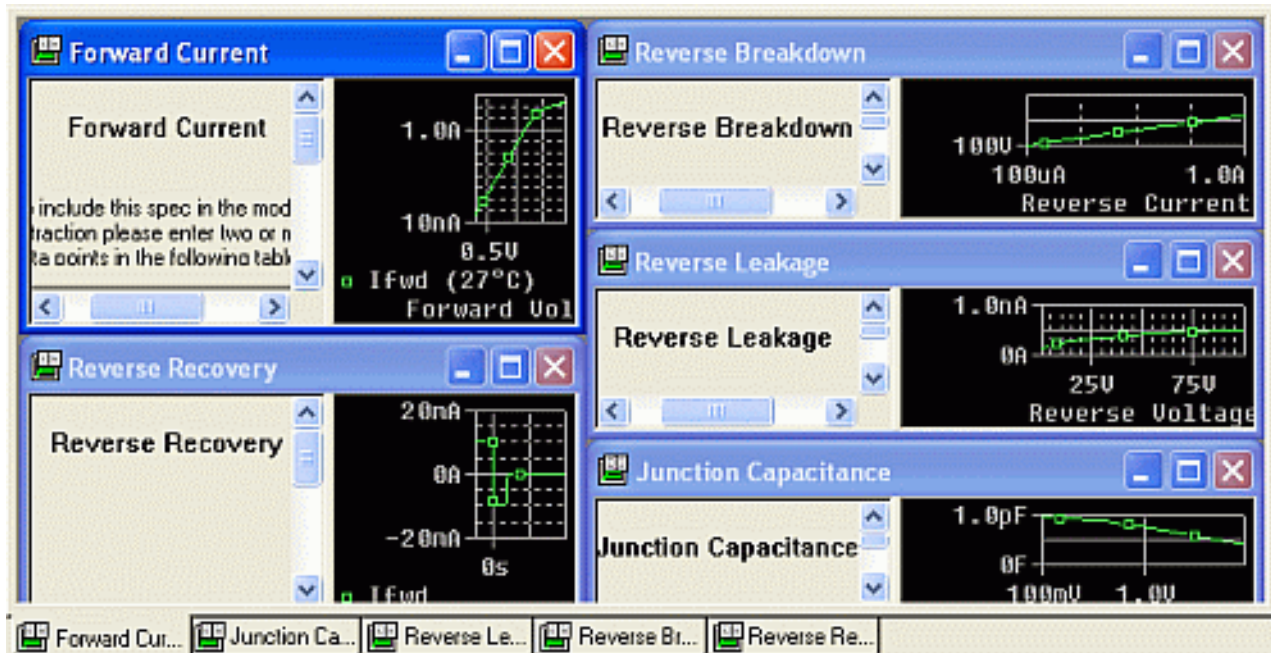


Figure 4-7 Assorted device characteristic curves for a diode.

You can also do the following with an active plot window:

- Pan and zoom within the plot using commands on the View menu.
- Rescale axes using the Axis Settings command on the Plot menu.

Adding curves for more than one temperature

By default, the Model Editor computes device curves at 27° C. For any characteristic, you can add curves to the plot at other temperatures.

To add curves for Forward Current at a different temperature

1. In the Spec Entry frame, click the Forward Current tab.
2. From the Plot menu, choose Add Trace.
3. Type 100 (in °C).

4. Click OK.

The Forward Current plot should appear as shown in Figure 4-8.

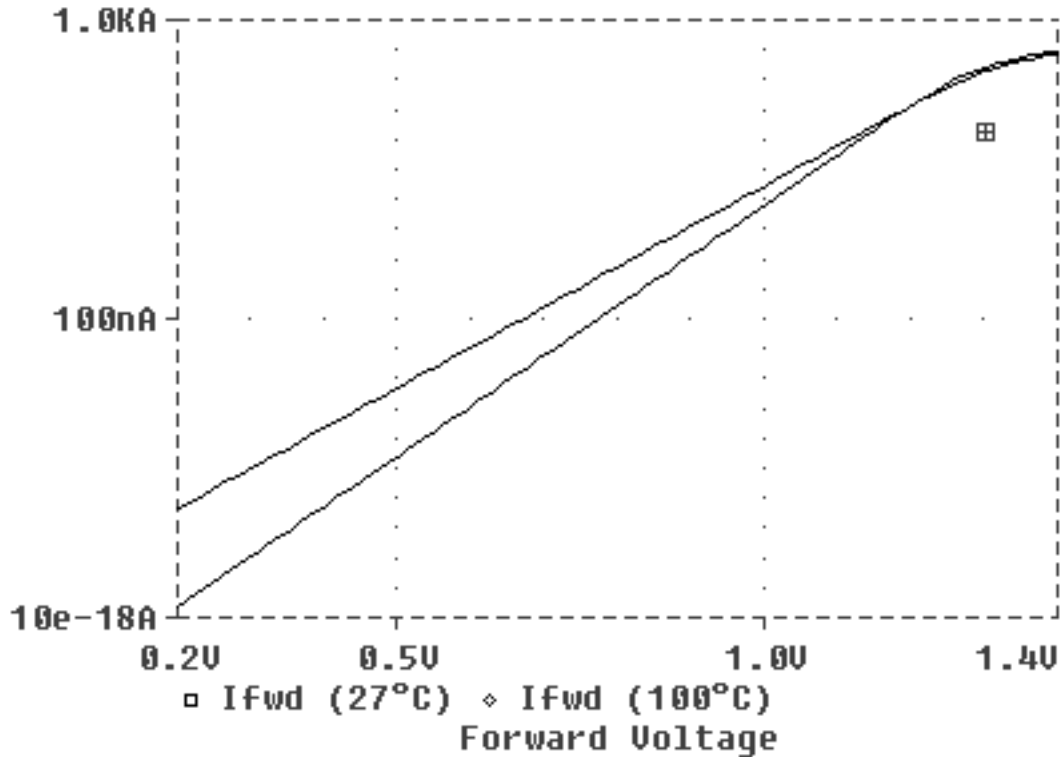


Figure 4-8 Forward Current device curve at two temperatures.

Completing the model definition

You can refine the model definition by:

- modifying the entered data as described before, or
- editing model parameters directly.

You can update individual model parameters by editing them in the Parameters frame of the Model Editor workspace. When you save the model library, the Model Editor automatically updates the device curves.

For this tutorial, leave the model parameters at their current settings.

To save the model definition with the current parameter values and to make the model available to your design

1. From the File menu, select Save to update RECTFR.LIB and save the library to disk.

The model definition is now complete. You can use this model definition in your design.

Attaching the DbreakX model to the D1 diode in Capture

1. In Capture, open the RECTFR project.
2. Select the D1 diode.
3. From the Edit menu, choose Properties.
4. In the Property Editor dialog box, change the value of Implementation property from Dbreak to DbreakX.

To know more about the Implementation property, see [MODEL](#) on page 308.

5. Close the dialog box, and save the design.

Your design is ready to simulate with the model definition you just created.

Example: Creating template-based PSpice model

In this example, you will create a template-based PSpice model for an operational amplifier, using the Model Editor.

The template-based OPAMP model is the only model created using the Model Editor that has multiple level support for simulation parameters. Tasks that will be covered in this example are:

- Creating a new template-based PSpice model for Operational Amplifier
- Multiple level support for template-based OPAMP models in the Model Editor

Multiple level support implies that the number of simulation parameters used in the model varies with the model level. The

higher the level, the more are the number of simulation parameters.

The models with a higher number of simulation parameters are closer to the real life devices. Therefore, the simulation results are more accurate when high level models are used. Use lower level simulation models to minimize the simulation time.

Creating a new model

1. Start the Model Editor alone.
2. From the File menu, choose New to create a new library.
3. From the Model menu, choose New.
4. In the New dialog box, specify the name of the new model as OPA_LOCAL.
5. Select the Use Templates option.
6. To specify the device type, select Operational Amplifier from the From Model drop-down list.

7. Specify the type of OPAMP to be created. In this example, select options to create an internally compensated bipolar operational amplifier with PNP input.

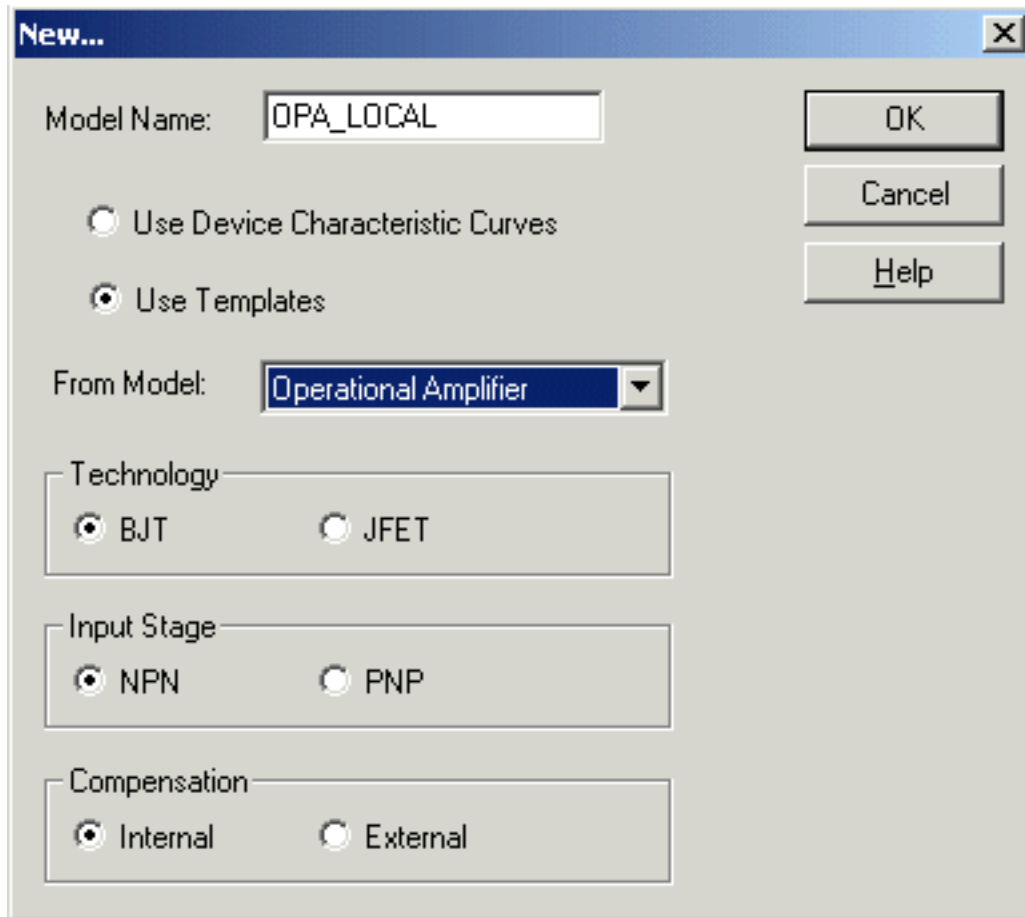


Figure 4-9 The New dialog box

8. Click OK.

The Simulation Parameters and the Model Text windows appear. In the Models List, three models, OPA_LOCAL_1, OPA_LOCAL_2, and OPA_LOCAL_3 appear.



The Model Editor creates multiple models only for Advanced Analysis OPAMP models. This is because, template-based OPAMP models support multiple levels of simulation parameters, and the Model Editor creates one model for each level.

The OPA_LOCAL_3 model contains all the simulation parameters available in the OPA_LOCAL_2 model plus some extra simulation parameters. The OPA_LOCAL_2 model contains some additional simulation parameters besides the ones listed in the OPA_LOCAL_1 model.

9. Select the OPA_LOCAL_3 model, and edit the values of the simulation parameters listed in Table 4-5. Table 4-5 lists the simulation parameters along with the new values. For other simulation parameters not listed in the table, accept the default values.

Table 4-5 List of Simulation Parameters to be modified

Simulation Property Name	Value	Distribution	Positive Tolerance (Postol)	Negative Tolerance (Negtol)
VOS	1e ⁻⁷	FLAT	10%	10%
IB	default	FLAT	10%	10%
IBOS	default	FLAT	10%	10%
A0	1000000	FLAT	10%	10%
GBW	default	FLAT	10%	10%
SRP	1.0e ⁺⁶	FLAT	10%	10%
SRM	1.0e ⁺⁶	FLAT	10%	10%
CMRR	default	FLAT	10%	10%

10. To ensure that the values entered by you in the Simulation Parameters frame overwrite the default value of the simulation parameters, check the Editable check box for all the simulation properties.

PSpice User Guide

Creating and editing models

Selecting the Editable check box ensures that the simulation parameter value:

- entered by users will overwrite the values in the template property file.
- appears in the device property file.
- can be directly passed from the schematic editor as properties attached to the symbol.

In such cases, the values of the simulation parameters can be picked up from following three locations in the decreasing order of priority:

- schematic editor
- device property file
- template property file

11. After making the simulation parameters editable, save the model. Specify the library name as LOCAL_LIB.

All the changes in the OPA_LOCAL_3 model are reflected in the OPA_LOCAL_2 and OPA_LOCAL_1 models also. This is because all three models have a common section for the simulation and smoke parameters in the device property file, LOCAL_LIB.PRP.



Caution

It is recommended that multiple level models created using the Model Editor should be used cautiously especially when used in different designs.

Consider a situation where you use OPA_LOCAL_1 from the LOCAL_LIB library in design A and OPA_LOCAL_3 from the LOCAL_LIB library in design B. Any changes that you make to the simulation or smoke parameter values of the OPA_LOCAL_1 model for design A will also be reflected in the OPA_LOCAL_3 model used in design B.

After you have saved your changes in the Model Editor, the following files are generated:

- LOCAL_LIB.LIB - The library file containing model information.

PSpice User Guide

Creating and editing models

- LOCAL_LIB.PRP - The device property file containing device specific information for all the models in the LOCAL_LIB.LIB.

Saving the LOCAL_LIB library completes the tasks of creating a template-based PSpice model for Operational Amplifier. Because of the multiple-level support for Advanced Analysis OPAMP models in the Model Editor, instead of one, three models are created.

Note: Deleting a Model Editor-created multiple-level model deletes the model only from the library. The model information is not deleted from the device property file. This is because, all three OPAMP models are linked to the same section in the device property file. The device property section for the model will be deleted only after all the linked models are deleted.

Note: If you have Advanced Analysis installed, the Smoke tab also appears besides the Simulation tab, and you can also add smoke information to the model. See [Adding smoke information to the OPA_LOCAL operational amplifier model](#) on page 259.

Note: Example covered in the section, [Creating parts in the batch mode](#) on page 292 in [Chapter 5, "Creating parts for models"](#) is an extension of this example. It covers part creation using Model Editor and using Model Editor-created parts in a schematic.

Editing model text

Note: This section is valid only for PSpice models that are based on device characteristic curves.

The Model Text is editable only for PSpice models. For template-based PSpice models, the Model Text window is read-only.



If you edit the text of a model that was created by entering data sheet values, you may not be able to edit the model in the Extract Model view again.

For any model, you can edit model text in the Model Editor instead of using the Spec Entry and Parameter frames. However, there are two cases where you must edit the model text:

- When you want to edit models of device types not supported by the Model Editor. The model text is displayed automatically when you load one of these models.
- When you want to add DEV and LOT tolerances for Monte Carlo or sensitivity/worst-case analysis.

By typing PSpice commands and netlist entries, you can do the following:

- change definitions, and
- create new definitions

When you have finished, the Model Editor automatically configures the model definitions into the model libraries.

To display the model text

1. From the View menu, choose Edit Model.

The Model Editor displays the PSpice syntax for model definitions:

- .MODEL syntax for models defined as parameter sets
- .SUBCKT syntax for models defined as netlist subcircuits

You can edit the definition just as you would in any standard text editor.

To find out more about PSpice command and netlist syntax, refer to the online *PSpice Reference Guide*.

Editing .MODEL definitions

For definitions implemented as model parameter sets using the PSpice .MODEL syntax, the Model Editor lists one parameter per line. This makes it easier to add DEV/LOT tolerances to model parameters for Monte Carlo or sensitivity/worst-case analysis.

Editing .SUBCKT definitions

For definitions implemented as subcircuit netlists using the PSpice .SUBCKT syntax, the Model Editor displays the subcircuit syntax exactly as it appears in the model library. The Model Editor also includes all of the comments immediately before or after the subcircuit definition.

Changing the model name

You can change the model name directly in the PSpice .MODEL or .SUBCKT syntax, but double-check that the new name does not conflict with models already contained in the libraries. To find out more about instance model naming conventions, see [What is an instance model?](#) on page 216.

Note: If you do create a model with the same name as another model and want PSpice to always use your model, make sure the configured model libraries are ordered such that your definition precedes any other definitions. To find out more about search order in the model library, see [Changing model library search order](#) on page 250.

Example: editing a Q2N2222 instance model

Suppose you have a design named `MY.OPJ` that contains several instances of a Q2N2222 bipolar transistor. If you want to see the effect of base resistance variation on one specific device, Q6, you need to do the following:

- Define a tolerance (in this example, 5%) on the `Rb` model parameter.

Important

Adding tolerance to a device characteristic curve-based model does not make it compatible for use with Advanced Analysis Monte Carlo.

- Set up and run PSpice Monte Carlo analysis.

The following example demonstrates how to set up the instance model for Q6.

Starting the Model Editor

To start the Model Editor,

1. In the schematic page editor, select Q6 on the schematic page.
2. From the Edit menu, choose PSpice Model.

The Model Editor automatically creates a copy of the Q2N2222 base model definition.

3. In the Model Editor, from the View menu, choose Model Text.

The Model Editor displays the PSpice syntax for the copied model in the text editing area.

Editing the Q2N2222 model instance

Text edits appropriate to this example are as follows:

- Add the `DEV 5%` clause to the `Rb` statement (required).
- Change the model name to `Q2N2222-MC` (optional, for descriptive purposes only).

To find out more about PSpice command and netlist syntax, refer to the online *PSpice Reference Guide*.

Saving the edits and updating the schematic

When you choose Save from the File menu, two things happen:

- The Model Editor saves the model definition to the model library.
- The schematic page editor updates the Implementation property value to Q2N2222-MC for the Q6 part instance.

In this example, the default model library is MY.LIB. If MY.LIB does not already exist, the Model Editor creates and saves it in the current working directory. The schematic page editor then automatically configures it as a design model library for use with the current design only.

Now you are ready to set up and run the Monte Carlo analysis.

Note: If you verify the model library configuration (in the Simulation Settings dialog box, click the Configuration Files tab and view the Library files list), you see entries for  NOM.LIB (for global use, as denoted by the  icon) and  MY.LIB (for design use, as denoted by the  icon) in the Library files list.

You can change the model reference for this part back to the original Q2N2222 by following the procedure [To change model references for part instances on your design](#) on page 239.

Using the Create Subcircuit Format Netlist command (Capture only)

The Create Subcircuit Format Netlist command is used from Capture. This command creates a subcircuit netlist definition for the displayed level of hierarchy and all lower levels in your design.

Note: The Create Subcircuit Format Netlist command does not help you create a hierarchical design. You need to do this yourself before using the Create Subcircuit Format Netlist command. For information on hierarchical designs and how to create them, refer to the *OrCAD Capture User's Guide*.

The schematic page editor does the following things for you:

- Maps any named interface ports at the active level of hierarchy to terminal nodes in the PSpice `.SUBCKT` statement.
- Saves the subcircuit definition to a file named `DESIGN_NAME-SCHEMATIC_NAME.LIB`.

Before you can use the subcircuit definition in your design, you need to:

- Create a part for the subcircuit.
- Configure the `DESIGN_NAME-SCHEMATIC_NAME.LIB` file so PSpice knows where to find it.

To create a subcircuit definition for a portion of your design

To create a subcircuit netlist definition

1. In the Project Manager, select the schematic folder that contains the circuitry for which a subcircuit netlist definition is to be created.
2. If the schematic folder is not the root folder, choose Make Root from the Design menu. You may be prompted to save the design first.
3. In the Project Manager, from the Tools menu, choose Create Netlist.
4. Select the PSpice tab.
5. In the Options frame, select Create SubCircuit Format Netlist.
6. Click OK to generate the subcircuit definition and save it to `DESIGN_NAME-SCHEMATIC_NAME.LIB`.

To create a part for the subcircuit netlist definition

1. Open the Model Editor alone.
2. From the File menu, select the Open command and open the `DESIGN_NAME-SCHEMATIC_NAME.LIB` file.
3. Select the model from the Models List and, if necessary, refine the subcircuit definition.

Refinements can include extending the subcircuit definition using the optional nodes construct, `OPTIONAL;`, the variable

parameters construct, PARAMS:, and the .FUNC and local .PARAM commands.

4. From the File menu, select Create Capture Parts.
5. In the Enter Input Model Library text box, browse and open the DESIGN_NAME-SCHEMATIC_NAME.LIB file.

Note: The Enter Output Part Library is automatically filled in with the DESIGN_NAME-SCHEMATIC_NAME.OLB file.

6. Click OK and OK again to clear the .ERR log window.

The subcircuit part is now ready for use in a design.

To configure the subcircuit file

1. In the schematic page editor, from the PSpice menu, choose Edit Profile to display the Simulation Settings dialog box.
2. Click the Configuration Files tab.
3. Click either Library or Include in the Category field of the Configuration Files tab, and then configure *DESIGN_NAME-SCHEMATIC_NAME.LIB* as either a model library or an include file (see [Configuring model libraries](#) on page 243).

Changing the model reference to an existing model definition

Parts are linked to models by the model name assigned to the parts' Implementation property. You can change this assignment by replacing the Implementation property value with the name of a different model that already exists in the library.

You can do this for:

- A part instance in your design.
- A part in the part library.

To change model references for part instances on your design

1. Find the name of the model that you want to use.

2. In the schematic page editor, select one or more parts on your schematic page.
3. From the Edit menu, choose Properties.
The Parts spreadsheet appears.
4. Click the cell under the column Implementation Type.
5. From the Implementation list, select PSpice Model.
6. In the Implementation column, type the name of the existing model that you want to use if it is not already listed.
7. Click Apply to update the changes, then close the spreadsheet.

To change the model reference for a part in the part library

1. Find the name of the model that you want to use.
2. In the schematic page editor, select the part you want to change.
3. From the Edit menu, choose Part to load the part in the part editor for editing.
4. From the Options menu, choose Part Properties to display the User Properties dialog box.
5. Select Implementation Type.
6. From the Implementation list, select PSpice Model.
7. In the Implementation text box, type the name of the existing model that you want to use if it is not already listed.
8. Click OK to close the Edit Part dialog box.

Reusing instance models

If you created instance models in your design and want to reuse them, there are two things you can do:

- Attach the instance model implementation to other part instances in the same design.
- Change the instance model to a global model and create a part that corresponds to it.

For information on how to create instance models, see:

- [Running the Model Editor from the schematic editor](#) on page 215.
- [Starting the Model Editor](#) on page 216.

Reusing instance models in the same schematic

There are two ways to use the instance model elsewhere in the same design.

To use the instance model elsewhere in your design

Do one of the following:

- Change the model reference for other part instances to the name of the new model instance.

See [Changing the model reference to an existing model definition](#) on page 239.
- From the Edit menu, use the Copy and Paste commands to place more part instances.

Making instance models available to all designs

If you are refining model behavior specific to your design, and are ready to make it available to any design, then you need to link the model definition to a part and configure it for global use.

To make your instance model available to any design

1. Create a part and assign the instance model name to the Implementation property. See [Chapter 5, “Creating parts for models”](#) for more information.
2. If needed, move the instance model definition to an appropriate model library, and make sure the library is configured for global use. See [Configuring model libraries](#) on page 243 for more information.

PSpice User Guide

Creating and editing models

Note: If you use the part wizard to create the part automatically from the model definition, then this step is completed for you.

Configuring model libraries

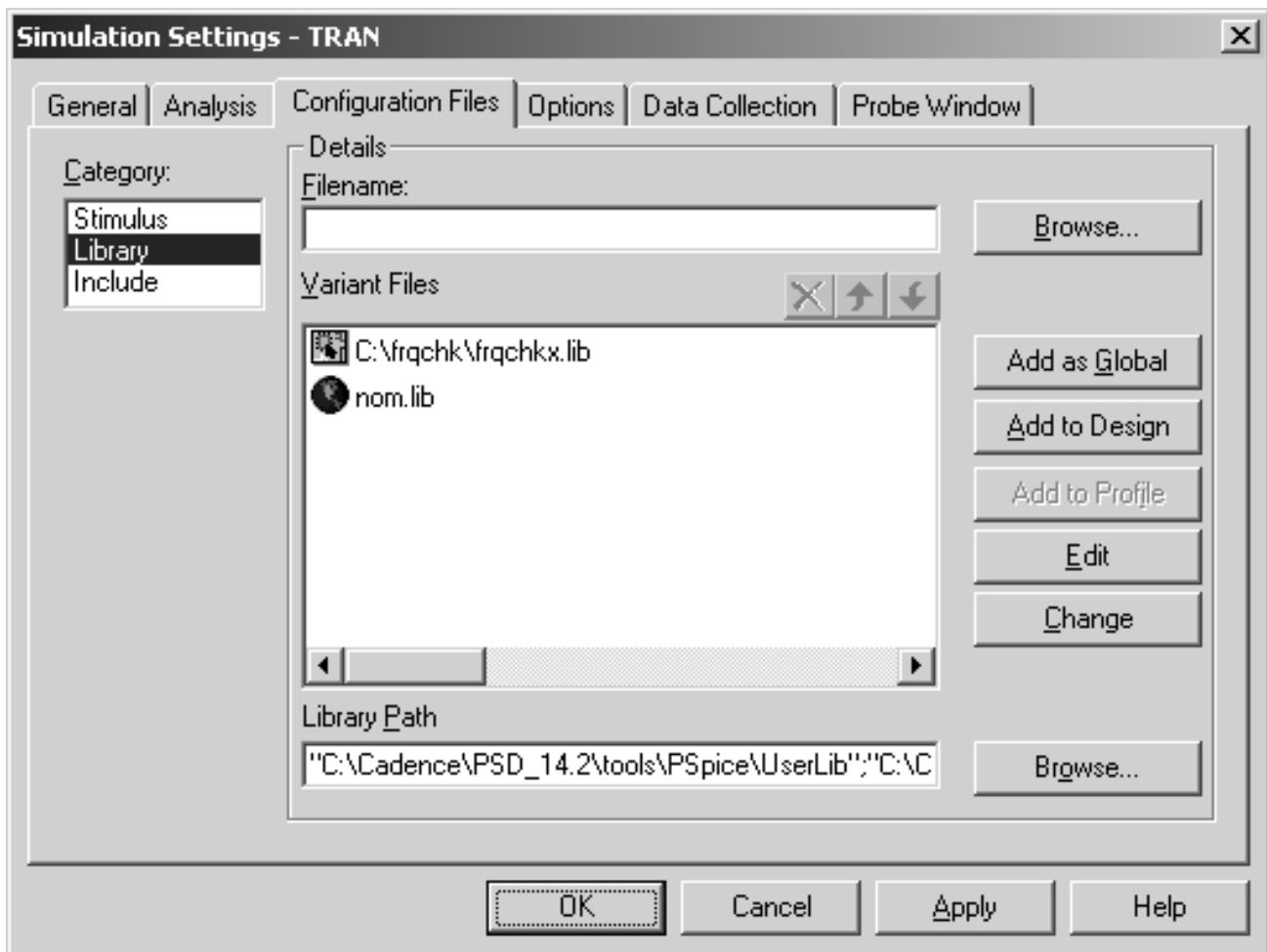
Although model libraries are usually configured for you, there are things that you sometimes must do yourself. These are:

- adding new model libraries that were created outside of the design entry tools or the Model Editor
- changing the global, design or profile scope of a model library
- changing the library search order
- changing or adding directory search paths

Note: It is recommended that any library that contains simulation models used in a design should be configured. This is to ensure that during netlisting, PSpice is able to locate corresponding simulation models for all the parts used in a design.

The Configuration Files tab

The Configuration Files tab of the Simulation Settings dialog box lets you add, change, and remove model libraries and include files from the configuration or modify the search order.



Note: Removing a library in this dialog box means that you are removing the model library from the configured list. The library still exists on your computer and you can add it back to the configuration later.

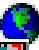


To display the Library files list

1. In PSpice, open or create a PSpice project.

PSpice User Guide

Creating and editing models

2. From the PSpice menu, choose either New Simulation Profile or Edit Profile if a profile already exists.
3. Click the Configuration Files tab in the Simulation Settings dialog box.
4. Click Library in the Category field to display the Library files list.

The Library files list shows the model libraries that PSpice searches for definitions matching the parts in your design. Files showing an  icon after their name have global scope; files having the  icon have a design scope and files with the  icon have a profile scope.

The buttons for adding model libraries to the configuration follow the same profile/local/global syntax convention. Click one of the following:

- Add to Profile for profile models
- Add to Design for design models
- Add as Global for global models

Note: Editing models that are configured at the

- Profile or Global level creates a copy of the model under the simulation folder and the project folder respectively. Changes made to the model are saved in the copied model.
- Design level points to the original model. Changes made to the model are saved in the original model itself.

The Include files list in the Configuration Files tab contains include files. You can manually add profile, design and global include files to your configuration using the Add to Profile, Add to Design and Add as Global buttons, respectively.

The Stimulus files list in the Configuration Files tab contains stimulus files. See [Configuring stimulus files](#) on page 546 for more information.

How PSpice uses model libraries

PSpice searches libraries for any information it needs to complete the definition of a part or to run a simulation. If an up-to-date index does

not already exist, PSpice automatically generates an index file and uses the index to access only the model definitions relevant to the simulation. This means:

- Disk space is not used up with definitions that your design does not use.
- There is no memory penalty for having large model libraries.
- Loading time is kept to a minimum.



Tip

If you refer to a library file from a location where you do not have write permissions, PSpice might not be able to open or make an index file. To resolve this create a `.lib` file at a location you have permissions and include the original file in this `.lib` file, then add this file to the Configuration Files tab of the Simulation Settings dialog box. For example, if you use a file `original.lib` located at `\\server\Cadence\lib` and do not have permissions on `\\server\Cadence\lib`:

- a. Create a file, say `my.lib`, at a location where you have permission
- b. Edit `my.lib` to include the line: `.lib
\\server\Cadence\lib\original.lib`
- c. Add the location of `my.lib` in the Configuration Files tab of Simulation Settings dialog box.

Caution—When you use include files instead

PSpice treats model library and include files differently as follows:

- For model library files, PSpice reads in only the definitions it needs to run the current simulation.
- For include files, PSpice reads in the file in its entirety.

This implies that if you configure a model library (*.LIB extension) as an include file using the Add to Design or Add as Global button, PSpice loads every model definition contained in that file.

If the model library is large, you might overload the memory capacity of your system. However, when developing models, you can do the following:

1. Initially configure the model library as an include file; this avoids rebuilding the index files every time the model library changes.
2. When your models are stable, reconfigure the include file containing the model definitions as a library file.

To reconfigure an include file as a model library file:

1. From the Simulation menu, choose Edit Profile, then click the Configuration Files tab.
2. Click Include in the Category field to display the Include files list.
3. Select the include file that you want to change.
4. Click the Delete button located above the Include files list.

See [Adding model libraries to the configuration](#) on page 248.

Search order

When searching for model definitions, PSpice scans the model libraries using these criteria:

- profile model libraries before design model libraries
- design model libraries before global model libraries
- model library sequence as listed in the Library files list in the Configuration Files tab of the Simulation Settings dialog box
- list of directories (including the design library) specified in the library search path in the order given (see [Changing the library search path](#) on page 252). From the directories listed in the Library Path, only the directories that contain a `NOM.LIB` file are looked up by PSpice during the model search.



Tip

The search order for the device property files is same as that of the model library files. The `.PRP` files are searched along with the `.LIB` files.

Handling duplicate model names

If two or more model libraries contain models with the same name, PSpice always uses the first model it finds. This means you might need to modify the search order to make sure PSpice uses the model that you want. See [Changing model library search order](#) on page 250.

Note: PSpice searches profile libraries before design libraries and design libraries before global libraries. Therefore, if the new model you want to use is specific to your profile and the duplicate definition is design or global, you do not need to make any changes. Similarly, if the new model you want to use is specific to your design and the duplicate definition is global, you do not need to make any changes.

Adding model libraries to the configuration

New libraries are added above the selected library name in the Library files list box.

To add model libraries to the configuration

1. From the Simulation menu, choose Edit Profile, then click the Configuration Files tab.
2. Click Library in the Category field to display the Library files list.
3. Click the library name positioned one entry below where you want to add the new library.
4. In the Filename text box, either:
 - type the name of the model library, or
 - click Browse to locate and select the library.
5. Do one of the following:
 - If the model definitions are for use in the current profile only, click the Add to Profile button.
 - If the model definitions are for use in the current design only, click the Add to Design button.
 - If the model definitions are for global use in any schematic, click the Add as Global button instead.

6. Click OK.

Note: If the model libraries reside in a directory that is not on the library search path, and you use the Browse button in step 4 to select the libraries you want to add, then the schematic editor automatically updates the library search path to include the selected library in the search path. Otherwise, you need to add the directory path yourself. See [Changing the library search path](#) on page 252.

Changing the model library scope from profile to design, profile to global, design to global and vice versa

There are times when you might need to change the scope of a model library from profile to design, profile to global, design to global, or vice versa.

Example: If you have an instance model that you now want to make available to any design, then you need to set the scope of the local model library that contains it to global.

For more information, see [Global vs. design vs. profile models and libraries](#) on page 191.

To change the scope of a design model to global

1. From the Simulation menu, choose Edit Profile, then click the Configuration Files tab.
2. Click Library in the Category field to display the Library files list.
3. Select the model library that you want to change.
4. Click the Delete toolbar button to remove the local entry.
5. Add the model library as a global entry.

For more information, see [Adding model libraries to the configuration](#) on page 248.

Changing model library search order

Two reasons why you might want to change the search order are to:

- reduce the search time
- avoid using the wrong model when there are model names duplicated across libraries. PSpice always uses the first instance. See [Handling duplicate model names](#) on page 248 for more information.

To change the order of libraries

1. Click the Configuration Files tab in the Simulation Settings dialog box.
2. Click Library in the Category field to display the Library files list. On the Library files list of the Configuration Files tab:
 - a. Select the library name you wish to move.
 - b. Use either the Up Arrow or Down Arrow toolbar button to move the library name to a different place in the list.

Note: You can only change the order of libraries that have the same scope. This implies that though you can change the order of profile libraries, local libraries and global libraries, you cannot place a global library before a local library or a local library before a profile library.

3. If you have listed multiple *.LIB commands within a single library (like NOM.LIB), then edit the library using a text editor to change the order.

Example: The model libraries DIODES.LIB and EDIODES.LIB (European manufactured diodes) shipped with your PSpice programs have identically named device definitions. If your design uses a device out of one of these libraries, you need to position the model library containing the definition of choice earlier in the list. If your system is configured as originally shipped, this means you need to add the specific library to the list *before* NOM.LIB.

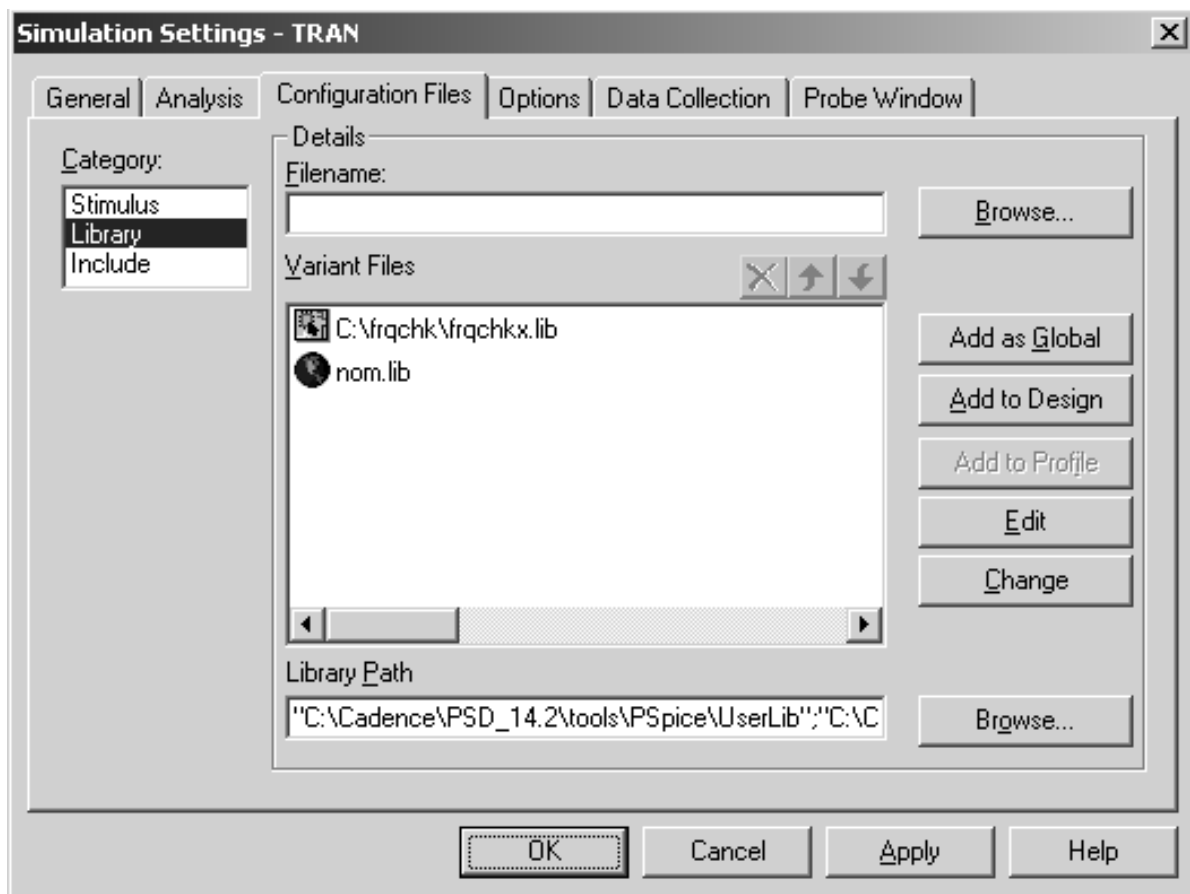


Do not edit NOM.LIB. If you do, PSpice will recreate the indexes for every model library referenced in NOM.LIB. This can take some time.

4. After you have modified the library settings using the Simulation Settings dialog box, you must first select the design name in the Project Manager and then save the design by clicking the save button. This must be done every time you make a change in the Simulation Settings dialog box. This is to ensure that the changes in the simulation settings are reflected in the .OPJ file and are picked up the netlister in the subsequent flows.

Changing the library search path

For model libraries that are configured without explicit path names, PSpice first searches the directory where the current design resides, then steps down the list of directories specified in the Library Path text box on the Library files list in the Configuration Files tab of the Simulation Settings dialog box.



To change the library search path

1. From the Simulation menu, choose Edit Profile to display the Simulation Settings dialog box.
2. Click the Configuration Files tab.
3. Click Library in the Category field to display the Library files list.
4. In the Library Path text box, position the pointer after the directory path that PSpice should search before the new path.

5. Type in the new path name following these rules:

- Use a semicolon character (;) to separate two path names.
- Do not follow the last path name with a semicolon.

Example: To search first C : \ORCAD\PSPICE\ LIBRARY, then C : \MYLIBS, for model libraries, type

```
"C:\ORCAD\PSPICE\LIBRARY";  
"C:\MYLIBS"
```

in the Library Path text box.

Handling smoke information using the Model Editor

You can use the Model Editor to add smoke information to a device type supported by the Model Editor. This feature is available only if you have PSpice Advanced Analysis installed.

Using the Model Editor, you can:

- Add smoke information PSpice models.
- Create template-base PSpice models with smoke information.
- Edit smoke information for the device types supported by the Model Editor.

Adding smoke information

If you have Advanced Analysis installed, an extra tab, the Smoke tab, appears next to the Simulation tab. Adding smoke information involves specifying the maximum operating conditions for different smoke parameters. Smoke parameters are the tests that are predefined in the device template file. These tests are performed between two different nodes of the device. The node to port mapping information for the device is available in the Test Node Mapping frame.

The information in the Test Node Mapping frame cannot be edited for template-based models. For models based on device characteristic curves, this information is editable. The Test Node Mapping information is not editable for template-based models. This is to avoid risk of smoke information getting out of sync with the smoke test.

See [Smoke parameters](#) on page 260

Adding smoke information to PSpice models

Adding smoke information to PSpice models enable you to use the models for Advanced Analysis smoke run. Using the Model Editor, you can add smoke information only to the device types supported by the Model Editor.

PSpice User Guide

Creating and editing models

For template-based models, smoke information is present by default and is visible in the Smoke Parameters frame. You can edit this information using the Model Editor. To add smoke information to a non template-based model, you need to complete the following steps.

1. From the Models List window, select the model to which the smoke information is to be added.

Note: If the model that you are trying to edit, has multiple implementations, you first need to select the implementation for which changes have to be made, from the Select Implementation dialog box. This dialog box lists all the implementations associated with a model. The changes are saved to the location where original implementation is stored.

2. From the Model menu choose Add Smoke.

- If the model uses the.SUBCKT definition, the Add Smoke dialog box appears.

- a. In the Add Smoke dialog box, specify the device type.
- b. Click OK.

The Test Node Mapping and the Smoke Parameters frames appear along with the Model Text window that displays the model definition in the text format.

- If the Model uses the .MODEL definition, the Test Node Mapping and the Smoke Parameters frames appear along with the Model Text window.

In the Test Node Mapping frame, enter the name of the port that maps to each Node. The correct node to port mapping is essential to ensure that smoke analysis gives correct results. To know more about Test Node Mapping, see [Smoke parameters](#) on page 260.

For the PSpice models with the .MODEL definition, node names should be the ones that get assigned by part created using the Model Editor. For the PSpice models with .SUBCKT definition, node names are defined by the ports in the subcircuit definition.

3. Enter the maximum operating values for the parameters in the Smoke Parameters frame.
4. Save the model.

When you save the model, the .LIB and .PRP files are updated.

Note: When you use the Model Editor to create device characteristic curves-based PSpice models, the smoke information is not available by default. After you add the smoke information, a new file, LIB_NAME.PRP is created.

Creating template-based PSpice models with smoke information

The steps for creating template-based models with smoke information are exactly the same as the steps for creating template-based simulation models. If you have Advanced Analysis installed, the Smoke tab appears by default. You are not required to select Add Smoke from the Model menu.

See [Example: Creating template-based PSpice model](#) on page 228

Using the Model Editor to edit smoke information

Open a model with smoke information in the Model Editor. You can modify the maximum operating values for different smoke parameters in the Smoke Parameters frame. For models based on device characteristic curves, you can also change the port to node mapping in the Test Node Mapping window. Saving the model will update the .PRP file with the latest information.

Examples: Smoke

Adding smoke information to the D1 diode model

In this example, you will use the Model Editor to add smoke information to the D1 diode model used in the half-wave rectifier design explained previously in [Example: Creating a PSpice model based on device characteristic curves](#) on page 219.

To add smoke information, complete the following steps.

1. From the Model menu, choose Add Smoke.

The Test Node Mapping and Smoke Parameters frames appear.

Note: The Add Smoke command is enabled only if you have Advanced Analysis installed.

2. In the Test Node Mapping frame, add the following information.

Node	Port
TERM_AN	1
NODE_AN	1
NODE_CAT	2

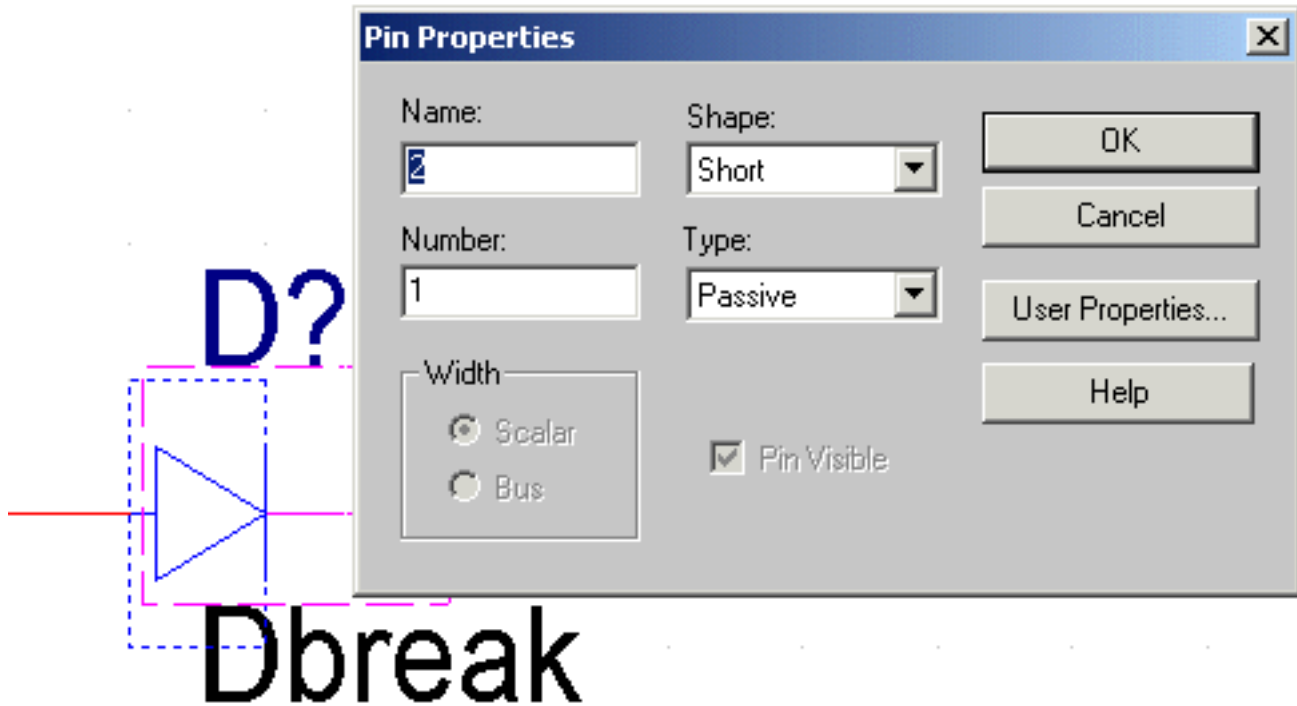
You can get the port names by opening the symbol in the design entry tool.

- a. Select the part in the design entry tool.
- b. From the Edit menu, choose Part.
- c. The symbol view of the part displays. Double-click a pin.

PSpice User Guide

Creating and editing models

- d. The Name field in the Pin Properties dialog box displays the port name.



3. In the Smoke Parameters frame, add the following smoke information.

Property Name	Value
IF	1
VR	30
PDM	1.5
TJ	175
RJC	50
RCA	50

Note: Smoke information is available in the data sheets

provided by the device vendor.

4. To save the changes to the diode model, choose Save from the File menu.

Once you have modified the D1 diode by adding smoke information, you can run Smoke analysis on your circuit.

Adding smoke information to the OPA_LOCAL operational amplifier model

In this example, you will add smoke information to an OPAMP model created using the Model Editor.

See [Example: Creating template-based PSpice model](#) on page 228

You can use the Model Editor to add/edit the smoke information only if you have Advanced Analysis installed.

The steps in this design example assume that you have Advanced Analysis installed.

1. Open the Model Editor.
2. Open the LOCAL_LIB library.
3. Select the OPA_LOCAL_3.

Besides the Simulation Parameters and the Model Text window, a Smoke tab is also displayed.

4. Select the Smoke tab.

The Test Node Mapping and Smoke Parameters frames are displayed.

5. In the Smoke Parameters frame, specify the maximum operating conditions for the operational amplifier to match the values shown in [Table 4-6](#).

Table 4-6 Modified value of smoke parameters

Device Max Ops	Value
IPLUS	.05

Table 4-6 Modified value of smoke parameters

Device Max Ops	Value
IMINUS	.05
IOUT	.04
VDIFF	32
VSMAX	32
VSMIN	-.3
VPMAX	.3
VPMIN	.3
VMMAX	-1.5
VMMIN	.3

6. Save the model.

The LOCAL_LIB.PRP file will be updated with the smoke information. The smoke parameters added in this example are valid for all levels. Even if you delete OPA_LOCAL_3 from the LOCAL_LIB library, the LOCAL_LIB.PRP will not be deleted because it contains smoke information for OPA_LOCAL_1 and OPA_LOCAL_2.

Smoke parameters

Using the Model Editor, you can add smoke information to the device types supported by the Model Editor.

When you add smoke information to a device, the following two frames are displayed in the Model Editor.

- Test Node Mapping

In this section you specify the port name that must map to the predefined node names. The predefined terminal names starting with TERM indicate current nodes, and those starting with NODE indicate voltage nodes.

- Smoke Parameters

PSpice User Guide

Creating and editing models

In this section, you specify the maximum operating conditions in terms of the values of the smoke parameters.

The thermal parameters that are common to all device types supported by the Model Editor are listed below along with their description.

PDM	Maximum power dissipation
TJ	Maximum junction temperature
RJC	Maximum thermal resistance (Junction to case thermal resistance)
RCA	Maximum thermal resistance (Case to ambient thermal resistance)

Besides the parameters listed above, there are smoke parameters specific to a particular class of devices. An explanation of device-specific smoke parameters and node names for the Model Editor-supported device types is given below.

Diode

Test Node Mapping



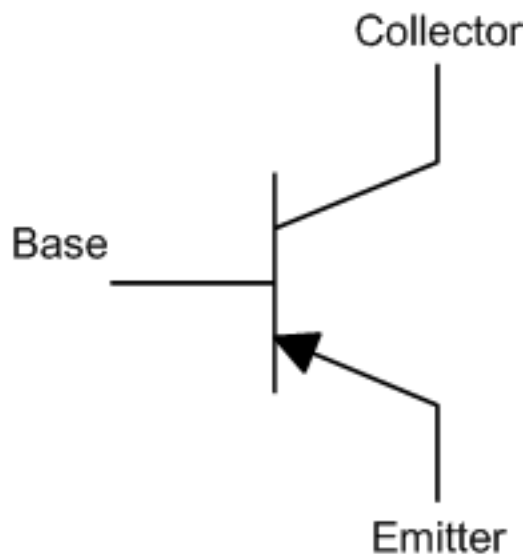
Node	Port name
TERM_AN	Forward current terminal
NODE_AN	Anode voltage node
NODE_CAT	Cathode voltage node

Smoke Parameters

Smoke parameter	Maximum operating condition
IF	Maximum Forward Current (Current through Anode)
VR	Peak Reverse Voltage (Maximum voltage between Cathode and Anode)

Bipolar Junction Transistors

Test Node Mapping



Node	Port name
TERM_IC	Collector current terminal
TERM_IB	Base current terminal
NODE_VC	Collector voltage node

PSpice User Guide

Creating and editing models

NODE_VB	Base voltage node
NODE_VE	Emitter voltage node

Smoke parameters

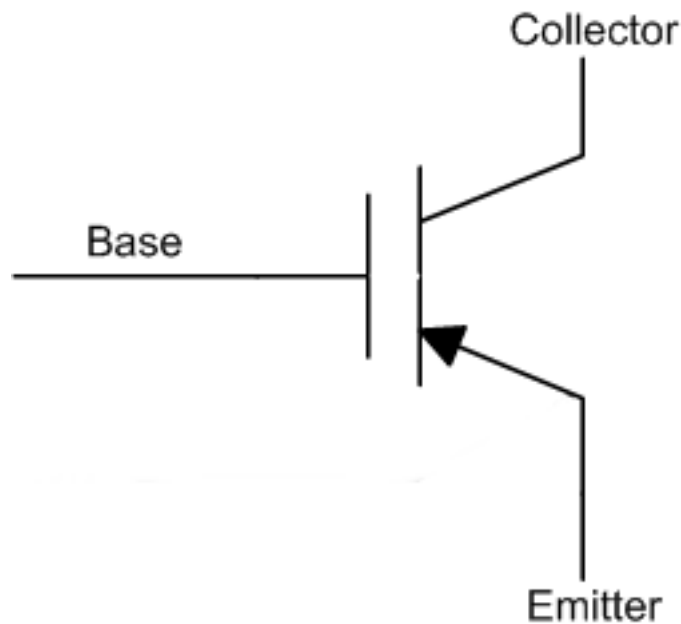
Smoke parameter	Maximum operating condition
IB	Maximum base current
IC	Maximum collector current
VCB	Maximum collector-base voltage (Maximum voltage difference between Collector and Base)
VCE	Maximum collector-emitter voltage (Maximum voltage difference between Collector and Emitter)
VEB	Maximum emitter-base voltage (Maximum voltage difference between Emitter and Base)
SBSLP	Secondary breakdown slope Note: Secondary breakdown is the voltage breakdown between VC and VE at maximum collector current.
SBINT	Secondary breakdown intercept
SBTSLP	Secondary breakdown temperature derating slope
SBMIN	Secondary breakdown derate percentage at maximum junction temperature

Magnetic Core

These are a special type of template-based PSpice models that do not have smoke information. Therefore, the Node Mapping and Smoke Parameters frames are not available for these models.

Ins Gate Bipolar Transistor (IGBT)

Test Node Mapping



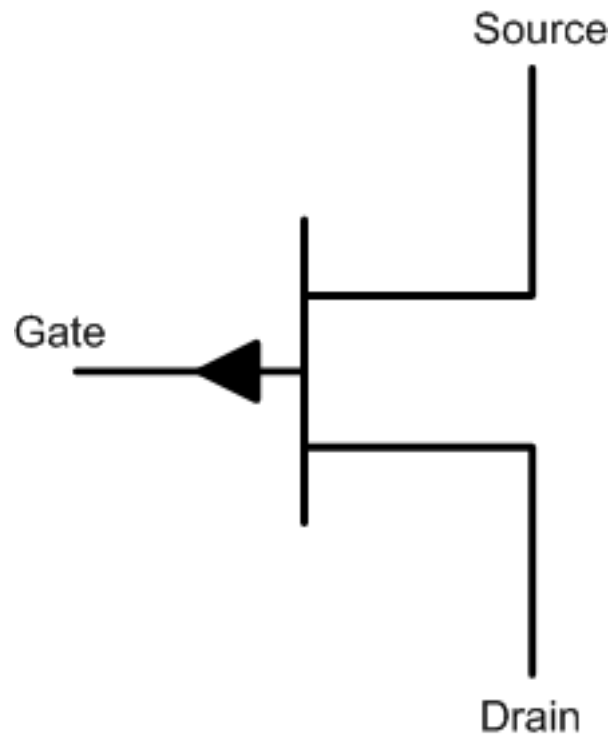
Node	Port name
TERM_IC	Collector current terminal
TERM_IG	Gate current terminal
NODE_VC	Collector voltage node
NODE_VG	Gate voltage node
NODE_VS	Source voltage node

Smoke parameters

Smoke parameter	Maximum operating condition
IG	Maximum gate current
IC	Maximum collector current
VCG	Maximum collector-gate voltage (Voltage between Collector and Gate)
VCE	Maximum collector-emitter voltage (Voltage between Collector and Emitter)
VGEF	Maximum forward gate-emitter voltage (Voltage between Gate and Emitter)
VGER	Maximum reverse gate-emitter voltage

Junction FET

Test Node Mapping



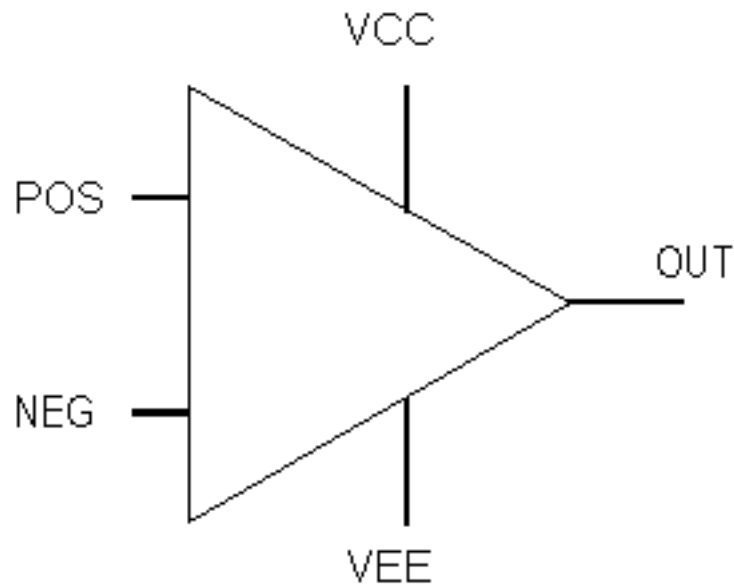
Node	Port name
TERM_ID	Depletion current terminal
TERM_IG	Gate current terminal
NODE_VD	Depletion voltage node
NODE_VG	Gate voltage node
NODE_VS	Source voltage node

Smoke parameters

Smoke parameter	Maximum operating condition
ID	Maximum drain current
IG	Maximum forward gate current
VDG	Maximum drain-gate voltage (Maximum voltage between drain and gate)
VDS	Maximum drain-source voltage (Maximum voltage between drain and source)
VGS	Maximum gate-source voltage (Maximum voltage between gate and source)

Operational Amplifier

Test Node Mapping



Node	Port name
NODE_POS	Positive voltage source node (POS)
NODE_NEG	Negative voltage source node (NEG)
NODE_VCC	Positive voltage source node
NODE_VEE	Negative voltage source node
NODE_GND	
TERM_POS	Positive current terminal (POS)
TERM_NEG	Negative current terminal (NEG)
TERM_OUT	Output current terminal (OUT)

PSpice User Guide

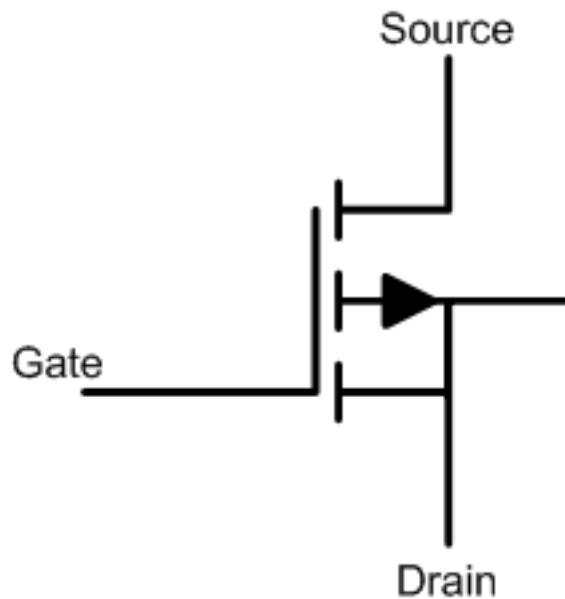
Creating and editing models

Smoke parameters

Smoke parameter	Maximum operating condition	Stands for...
IPLUS	Maximum input current (+)	Maximum value of current at the POS terminal
IMINUS	Maximum input current (-)	Maximum value of current at the NEG terminal
IOUT	Maximum output current	Maximum value of current at the OUT terminal
VDIFF	Maximum differential VIN	Absolute voltage difference between POS and NEG
VSMAX	Maximum supply voltage difference	Voltage difference between NODE_VCC and NODE_VEE
VSMIN	Minimum supply voltage difference	Voltage difference between NODE_VEE and NODE_VCC
VPMAX	Maximum input voltage (+)	Voltage difference between NODE_POS and NODE_VCC
VPMIN	Minimum input voltage (+)	Voltage difference between NODE_VEE and NODE_POS
VMMAX	Maximum input voltage (-)	Voltage difference between NODE_NEG and NODE_VCC
VMMIN	Minimum input voltage (-)	Voltage difference between NODE_VEE and NODE_NEG

MOSFET

Test Node Mapping



Node	Port name
TERM_ID	Drain current terminal
TERM_IG	Gate current terminal
NODE_VD	Drain voltage node
NODE_VG	Gate voltage node
NODE_VS	Source voltage node

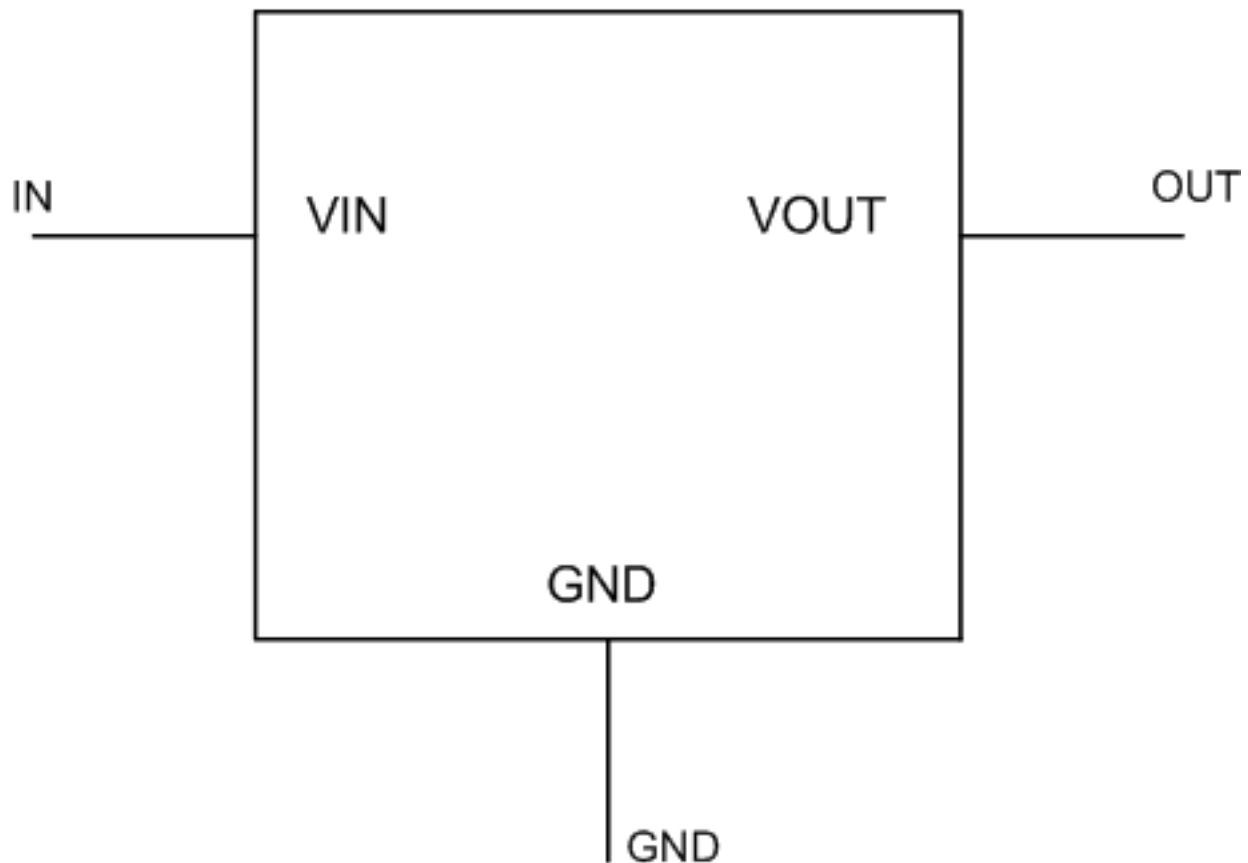
Smoke parameters

Smoke Parameter	Maximum Operating Condition
IG	Maximum forward gate current
ID	Maximum drain current

V _{DG}	Maximum drain-gate voltage (Maximum difference between NODE_VD and NODE_VG)
V _{DS}	Maximum drain-source voltage (Maximum difference between NODE_VD and NODE_VS)
V _{G_{SF}}	Maximum forward gate-source voltage
V _{G_{SR}}	Maximum reverse gate-source voltage

Voltage Regulator

Test Node Mapping



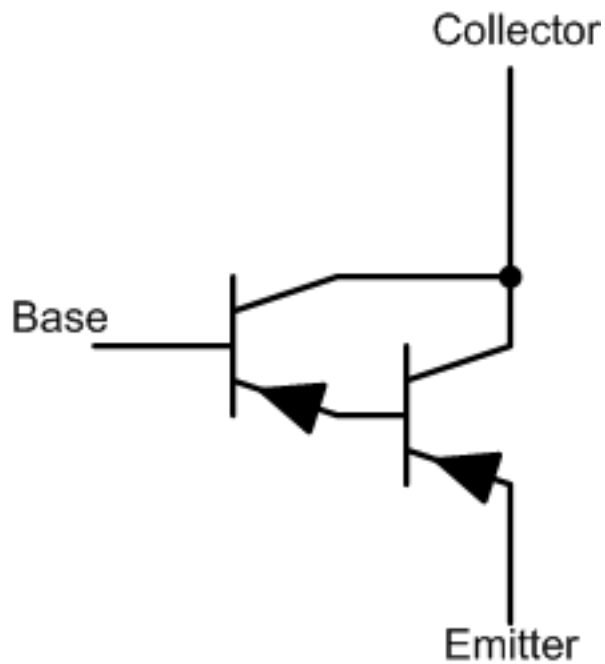
PSpice User Guide

Creating and editing models

Node	Port name
NODE_IN	Input voltage node (IN)
NODE_OUT	Output voltage node (OUT)
NODE_GND	Ground voltage node (GND)

Darlington Transistor

Test Node Mapping



Node	Port name
TERM_IC	Collector current terminal
TERM_IB	Base current terminal
NODE_VC	Collector voltage node
NODE_VB	Base voltage node
NODE_VE	Emitter voltage node

Smoke parameters

Smoke parameter	Maximum operating condition
------------------------	------------------------------------

PSpice User Guide

Creating and editing models

IB	Maximum base current Max(TERM_IB)
IC	Maximum Collector current Max(TERM_IC)
VCB	Maximum collector-base voltage Max(NODE_VC -NODE_VB)
VCE	Maximum collector-emitter voltage Max(NODE_VC -NODE_VE)
VEB	Maximum emitter-base voltage Max(NODE_VE -NODE_VB)
SBSLP	Secondary breakdown slope Note: Secondary breakdown is the voltage breakdown between VC and VE at maximum collector current.
SBINT	Secondary breakdown intercept
SBTSLP	Secondary breakdown temperature derating slope
SBMIN	Secondary breakdown derate percentage at maximum junction temperature

Creating parts for models

Chapter overview

This chapter provides information about creating parts for model definitions, so you can simulate the model from your design using the design entry tools¹, OrCAD Capture or Design Entry HDL. For general information about creating parts, refer to the *Capture User's Guide* or *Design Entry HDL User Guide*.

Topics are grouped into four areas introduced later in this overview. If you want to find out quickly which tools to use to complete a given task and how to start, then:

1. Go to the roadmap in [Ways to create parts for models](#) on page 277.
2. Find the task you want to complete.
3. Go to the sections referenced for that task for more information about how to proceed.

Background information

These sections provide background on the things you need to know and do to prepare for creating parts:

- [What's different about parts used for simulation?](#) on page 276
- [Preparing your models for part creation](#) on page 279

1. In this guide, design entry tool is used for both OrCAD Capture and Design Entry HDL. Any differences between the two tools is mentioned, if necessary.

Task roadmap

This section helps you find the sections in this chapter that are relevant to the part creation task that you want to complete:

- [Ways to create parts for models](#) on page 277

How to use the tools

These sections explain how to use different tools to create parts for model definitions:

- [Using the Model Editor to create parts](#) on page 281
- [Basing new parts on a custom set of parts](#) on page 300

Other useful information

These sections explain how to refine part graphics and properties:

- [Editing part graphics \(Capture only\)](#) on page 303
- [Defining part properties needed for simulation](#) on page 308

What's different about parts used for simulation?

A part used for simulation has these special characteristics:

- a link to a simulation model
For information on adding simulation models to a model library, see [Chapter 4, "Creating and editing models."](#)
- a netlist translation
- modeled pins
- other simulation properties specific to the part, which can include hidden pin connections or propagation delay level (for digital parts)

Ways to create parts for models

If you want to...	Then do this...	To find out more, see this...
■ Create parts for a set of vendor or user-defined models saved in a model library.	Use the Model Editor to create parts from a model library.	Basing new parts on a custom set of parts on page 300
■ Change the graphic standard for an existing model library.		
■ Automatically create one part each time you extract a new model.	Use the Model Editor ¹ and enable automatic creation of parts.	Using the Model Editor to create parts on page 281. For a list of device types that the Model Editor supports, see Running the Model Editor alone on page 204 . If the Model Editor does not support the device type for the model definition that you want to create, then you can use a standard text editor to create a model definition using the PSpice .MODEL and .SUBCKT command syntax. Remember to configure the new model library (see Configuring model libraries on page 245). Basing new parts on a custom set of parts on page 300

PSpice User Guide

Creating parts for models

If you want to...	Then do this...	To find out more, see this...
<ul style="list-style-type: none">■ Create parts for all the models saved in a model library.<ul style="list-style-type: none">□ in batch mode□ in interactive mode	<p>Use the Export to Capture Part Library or Export to Design Entry HDLPart Library commands available in Model Editor to create parts from a model library.</p> <p>Use the Model Import Wizard [design entry tool] to create parts from a model library. Use the Model Import Wizard [design entry tool] to create parts from a model library.</p>	<p><u>Creating Design Entry Tool parts for all models in a library</u> on page 282.</p>

1. For a list of device types that the Model Editor supports, see [Running the Model Editor alone](#) on page 204.

Preparing your models for part creation

If you already have model definitions and want to create parts for them, you should organize the definitions into libraries containing similar device types.

To set up a model library for part creation

1. If all of your models are in one file and you wish to keep them that way, rename the file to:

- Reflect the kinds of models contained in the file.
- Have the `.LIB` extension.

Note: Model libraries typically have a `.LIB` extension. However, you can use a different file extension as long as the file format conforms to the standard model library file format.

2. If each model is in its own file, and you want to concatenate them into one file, use the DOS copy command.

Example:

You can append a set of files with `.MOD` extensions into a single `.LIB` file using the DOS command:

```
copy *.MOD MYLIB.LIB
```

3. Make sure the model names in your new library do not conflict with model names in any other model library.

For information on managing model libraries, including the search order PSpice¹ uses, see [Configuring model libraries](#) on page 245.

1. Depending on the license available, you will access either PSpice or PSpice Simulator.

Starting the Model Editor

To start the Model Editor alone

1. From the Windows Start menu, point to the installed Cadence release, then choose PSpice Accessories, Model Editor.
2. From the File menu, choose Open or New, and enter an existing or new model library name.
3. In the Models List frame, select the name of a model to display it for editing in the Spec Entry frame.

To start the Model Editor from within design entry tools

1. In the schematic page editor, select the part whose model you want to edit.
2. In Capture, from the Edit menu, choose *PSpice Model*. In Design Entry HDL, choose *PSpice Simulator - Edit Model*.

The Model Editor starts with the model loaded for editing.

If you have already started the Model Editor from design entry tools, and want to continue working on new models, then:

1. Close the opened model library.
2. Open a new model library.
3. Load a device model or create a new one.

Note: Part creation is disabled, when you launch the Model Editor from design entry tools.

Using the Model Editor to create parts

If you want to create new parts that are not tied to a local design, open the Model Editor alone. Using Model Editor, you can create parts in two modes:

- Batch mode
- Interactive mode

Batch mode of part creation

In this method, you use the *Export to Capture Part Library* or *Export to Design Entry HDL Part Library* command from the File menu, to create part symbols for all models in a simulation library. In this approach, you can view the symbols only after all the changes have been done and saved in the .o1b file. You need to open the .o1b file in Capture and view the symbols.

To know more about how to use the *Export to Capture Part Library* or *Export to Design Entry HDL Part Library* command for part creation see [Using batch mode](#) on page 282.

Interactive mode of part creation

In this mode, you can view the part symbol being attached to a simulation model before the changes are saved in the symbol library. You can also update and attach symbols of your own choice to the models in the library. To create Capture or Design Entry HDL symbols in an interactive mode, choose *Model Import Wizard [design entry tool]* command, from the File menu.

When you generate part symbols using Model Import wizard, you can review the symbol shapes before you save the changes to the part library. This is unlike using *Export To Capture Part Library* or *Export To Design Entry HDL Part Library* command, where all the changes are made to the part library before you can review the symbols by opening them in the design entry tool.

In the Model Import Wizard, specify the input model library and the output symbol library and click Next. The model names and the

names of the symbol to be associated with each model is listed. The symbol shape is visible on the right.

If the users do not make any change and selects the Finish button, a message box may appear. This message box appears only if there are models for which symbols could not be found. To attach a rectangular symbols to such models click Yes. If you do not wish to attach any symbols select No. If you select yes, the symbol library generated using the Model Import Wizard will be exactly same as the .o1b generated using the *Export to Capture Part Library* or *Export to Design Entry HDL Part Library* command.

To know more about how to create parts using Model Import Wizard, see [Using interactive mode](#) on page 284.

To find out which device types the Model Editor supports, see [Running the Model Editor alone on page 204](#). If the Model Editor does not support the device type for the model definition that you want to create, then you can use a standard text editor to create a model definition using the PSpice .MODEL and .SUBCKT command syntax. Remember to configure the new model library.

Note: The Model Editor is not available with PSpice.

Creating Design Entry Tool parts for all models in a library

Note: Creating parts for all the models in a library is not supported for libraries that have models with multiple implementation.

Using batch mode

1. Open the Model Editor alone.
From the Windows Start menu, point to the installed Cadence release, and then choose PSpice Accessories, Model Editor.
2. From the File menu, choose *Export to Capture Part Library* or *Export to Design Entry HDL Part Library*, for Capture and Design Entry HDL respectively.

The Create Parts for Library dialog box appears.

PSpice User Guide

Creating parts for models



Tip

Export to <design entry tool> Part Library option is available depending on the design entry tool selected as the schematic editor in the Options dialog box. To display the Options dialog box, choose Options from the Tools menu.

3. In the Enter Input Model Library text box, specify the location of the model library for which the design entry tool parts are to be created.

Note: You can use the Browse button to specify a different location of the .OLB or .LIB file.

The *Enter Output Part Library* text box automatically displays the name and the location of the new .OLB file (in Capture) or the folder (in Design Entry HDL where you want library files to be created). The displayed library name or folder name is same as specified by the user in the *Save Part To* section of the *OPTIONS* dialog box.

4. Click OK to create the part and click OK again to clear the .ERR log dialog box.



Caution

Recreating an already existing part library, using the Export to <design entry tool> Part Library command does not overwrite the contents of the part library. Only the new parts are appended to the library. Consider a part library, MYLIB.OLB that has two parts a1 and a2, and a model library, MYLIB.LIB that has three models a2, b1, and b3. Recreating MYLIB.OLB from MYLIB.LIB will not delete a1 from MYLIB.OLB. The modified MYLIB.OLB has four parts, a1, a2, b1, and b2.

In Design Entry HDL:

The part library is created with the same name as the .lib file. Each model in the .lib file is represented as a separate folder, with the folder name same as the model name.

PSpice User Guide

Creating parts for models

Each of the Design Entry HDL part that is created has following views.

- ❑ sym_1 - Contains graphical description of the part
- ❑ chips - Contains pin name to pin number mapping needed for packaging onto physical board.
- ❑ entity - Contains the port information for the part.
- ❑ pspice_Ink - Contains the pspice.pll file. This file points to the Advanced Analysis enabled simulation model for the part.

Note: The pspice_Ink view is created only when you create Design Entry HDL parts for Advanced Analysis enabled PSpice models using the Model Editor.

Using interactive mode

Important

Model Import Wizard is not recommended if you want to create new symbol shapes. Using the wizard, you can only associate existing PSpice model to existing symbols and vice-versa. You can create new symbols in OrCAD Capture. To know more about creating new part symbols or editing existing symbol graphics, see [Editing part graphics \(Capture only\)](#) on page 303.

Invoke Model Import wizard

From Model Editor

- ➔ From the File drop-down menu, choose *Model Import Wizard* [*<design entry tool>*].

Important

To be able to generate a specific design entry tool parts using Model Editor, select the design entry tool as the schematic editor in the Options dialog box.

From Capture

1. Select the Project Manager window in Capture.
2. From the Tools drop-down menu, select Generate Part.
3. In the Generate Part dialog box, select the Pick symbol manually check box.
4. From the Netlist/source file type drop-down list box, select PSpice Model Library.
5. To start the symbol generation process, click OK.

Using Model Import wizard

1. In the Specify Library page of the Model Import Wizard, provide inputs.
 - a. Specify the name and location of the input model library (.lib)
 - b. Specify the name and location of the output part library (.olb)



Tip

While specifying the library name, you must ensure that special characters, such as tilde (~), backtick (`), exclamation mark (!), dollar (\$), percentage (%), caret (^), ampersand (&), plus (+), minus (-), comma (,), semi colon(;), single quotes ('), and double quotes (") are not used in the library name.

- c. Click the Next button to move to the next step of the wizard.

When you click the Next button, the Model Import Wizard automatically starts the process of looking up symbols for each of the models in the .lib file and associating the symbols that match the model definition.



Important

Model Import Wizard uses the model definition to find a matching symbol for a simulation model. Therefore, Model Import Wizard can automatically match

PSpice User Guide

Creating parts for models

symbols only for the device types supported by the Model Editor. To know more about these device types, see [Model Editor-supported device types based on device characteristic curves on page 210](#).







The matching symbols are stored in the destination part library specified by you.

2. View the symbols provided by the Model Import Wizard.

The Associate/Replace Symbol page of the wizard lists the models in the `.lib` file and the corresponding symbol names. By default, all models are listed. You can customize the view to display only those models that have symbols attached or the models that do not have any symbols attached.

To display only the models with symbols attached, ensure that only the *Models with symbols* check box is selected.

To display only the models with no symbols attached, only the *Models without symbols* check box should be selected. In this case, the Symbol Name column is blank

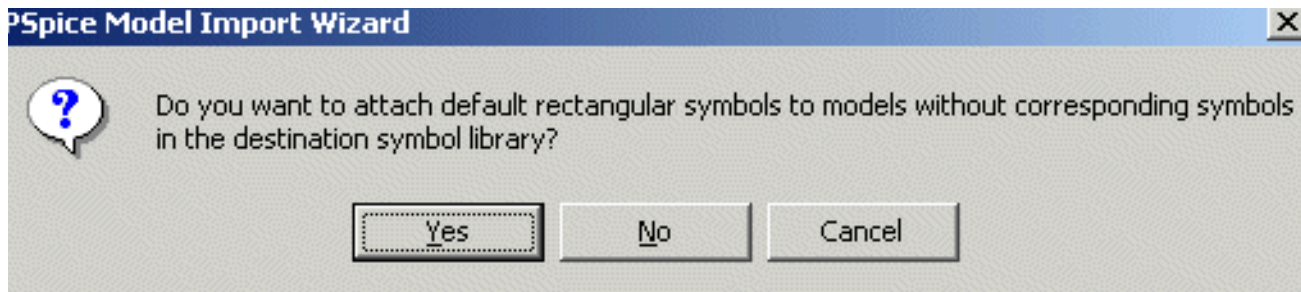
Check box Displays:	Models with symbols	Models without symbols
Only models with symbols attached		
Only models with no symbols attached		
All Models		

You can view the attached symbol by selecting a model from the list of the models with attached symbols. The symbol shape appears on the right of the wizard.

PSpice User Guide

Creating parts for models

At this stage, you can complete the process of associating symbols, and close the Model import wizard by clicking the Finish button. When you click the Finish button, you receive a message stating whether you want to attach rectangular symbols to the models that do not have symbols attached to them. This message appears only if the `.lib` file has some models for which symbols were not available



In this case, you want rectangular shaped symbols to be associated with the models, select Yes. To close the wizard without attaching rectangular symbols to the models, select No.

- | | |
|-----|--|
| Yes | Destination symbol library (<code>.olb</code>) has symbol looked up by the Model Import wizard |
| No | The <code>.olb</code> file has symbols for all the models in the <code>.lib</code> file. |

3. Associate/Replace desired part symbol to a PSpice model

As the name suggests, the Associate/Replace Symbol page of the wizard can also be use to review symbol shapes and if required, attach user-defined symbols to the models.

The Model import wizard allows you to attach user-defined symbols to the models without symbols or to replace the attached symbols with a symbol of your own choice.

- To change the model-symbol association suggested by Model Import wizard, click the Replace Symbol button.

PSpice User Guide

Creating parts for models

- To attach a specific symbol to a model for which matching symbols could not be found, click the Associate Symbol button.

To attach user-defined symbols to a model:

- a. Click the Associate/Replace symbol button.
- b. In the Select Matching page of the wizard, specify the path to the base library

A base library can be defined as the symbol library (.o1b) that contains the desired part symbol. From the specified library, the Model Import wizard filters and lists the symbol names that can be attached to the selected model. You can then select a symbol from the list, to be associated with the model.

- c. Complete the model terminal and symbol pin mapping.

Use the View Model Test button, to display the model definition for the selected mode. The pin names of the selected symbols appear in the Symbol Pin drop-down list box.

- d. Select the Save button to update the destination symbol file specified in [step 1](#), with the changes made by you.

Note: The changes made to the destination library are irreversible. Once saved, you cannot undo the changes at the click of a button.

Similarly, you can make associate an existing symbol to any of the models in the .lib file.

When you use the Model Import wizard to attach a symbol to a model and vice-versa, following tasks are performed:

- The value of IMPLEMENTATION TYPE property attached to the symbol is set to PSpice Model.
- The value of the IMPLEMENTATION property attached to the symbol is set to the name of the selected model. (Except in case of leveled models where the level number is removed.)

- For models based on device characteristic curves, the PSPICETEMPLATE property is updated with the pinname information.
- For template-based PSpice models, `pspice_lnk` view is generated.

Setting up automatic part creation

Automatic part creation from the Model Editor is optional. By default, automatic part creation is disabled. You can enable it using the procedure below.

Note: Instead of using the PSpice default part set, you can use your own set of standard parts. To find out more, see [Basing new parts on a custom set of parts](#) on page 300.



Tip

In case you want to create a new symbol for only one model in a library that contains several models, set up the automatic part creation feature and use the File, Save command. Every time the file is saved with automatic part creation enabled, a new symbol is created for the selected model. All other symbols are left alone.

To enable automatic part creation for new models

1. In the Model Editor with a library open, choose Options from the Tools menu.
2. In the Part Creation Setup frame, select Always Create Part when Saving Model if it is not already checked.

Note: The Always Create Part when Saving Model option will be disabled if you start the Model Editor from a design entry tool.

3. Select the Pick symbols Manually check box, to ensure that Model Import Wizard is invoked every time you generate a part symbol for a model.

Note: In this case, the Specify Library page of the wizard is not required and is therefore, not visible. The Associate/Replace symbol page will be invoked.

4. In the Save Part To frame, define the name of the part library for the new part. Choose one of the following:

- Part library path same as model library to create or open the * .OLB file that has the same filename as the open model library (* .LIB).

For example, if the model library is named MYPARTS.LIB, then the Model Editor creates the part library named MYPARTS.OLB.

- User-defined part library, and then enter a library name in the part Library Name text box.

Example

The examples covered in this section demonstrate the steps involved in creating a part using the Model Editor. The examples covered in this section are:

- [Creating parts in the batch mode](#)
- [Creating parts using interactive mode](#)

Creating parts in the batch mode

This example is the continuation of the [Example: Creating template-based PSpice model](#) used in [Chapter 4, “Creating and editing models.”](#)

The tasks covered in this example are:

- Creating parts for the models in a model library using the Export to <design entry tool> Part Library command.
- Using the Model Editor created part in a schematic design.
 - Passing parameters to a simulation model from the schematic.
 - Using model with multiple levels of simulation parameters. Difference in the use model for Model Editor-created model and OrCAD supplied model

PSpice User Guide

Creating parts for models

In this example, you will create parts for the simulation models in the LOCAL_LIB model library. The LOCAL_LIB library created as part of [Example: Creating template-based PSpice model](#) has a template-based model of an operational amplifier, OPA_LOCAL.

Creating design entry tool parts

To create design entry tool parts for all the models in the LOCAL_LIB.LIB library:

1. From the File menu choose *Export to Capture Part library* for Capture parts or *Export to D3esign Entry HDL Part library* for Design Entry HDL parts.

Note: The *Export to Capture Part Library* or *Export to Design Entry Part library* option is available depending on the design entry tool you select as the schematic editor in the Options dialog box.

2. In the Create Parts for Library dialog box, ensure that the input model library is LOCAL_LIB.LIB and save the new design entry tool part library in the same location as the model library.
3. Click OK, to create parts.

In Capture:

The LOCAL_LIB.OLB that gets created has one part, OPA_LOCAL, with the LEVEL property is attached to the part symbol. By default, the value of the LEVEL property is set to 1.

Template-based operational amplifier model created using the Model Editor has multiple level support. If the value of the LEVEL property is set to 1, first level of simulation parameters are used while simulating the model. Similarly, if the LEVEL value set to 2, second level of simulation parameters are used, and so on.

in Deisgn Entry HDL:

The Model Editor generated part library has 5.x architecture. The part library directory has the same name as that of the model library, local_lib. A new directory, local_lib, is generated. In the 5.x architecture, the part library further has sub directories, one for each

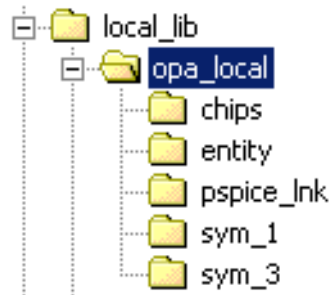
PSpice User Guide

Creating parts for models

part in the library. Therefore, the `local_lib` directory has a sub directory `OPA_LOCAL`.

With in the part library, each of the part has multiple views, such as chips, entity, pspice_ink, and symbol views. The directory structure for the `local_lib` library, is shown in the figure below.

Figure 5-1 The 5.x architecture of the `local_lib` library



Using the Model Editor created parts in a design

In this section you will create an amplifier using two internally compensated operational amplifiers. One of the Operational Amplifier, CA1458, is supplied along with PSpice in the `OPA.LIB` model library, and the second Operational Amplifier used is `OPA_LOCAL`, created using the Model Editor. Both the models are template-based and both support multiple levels of simulation parameters.

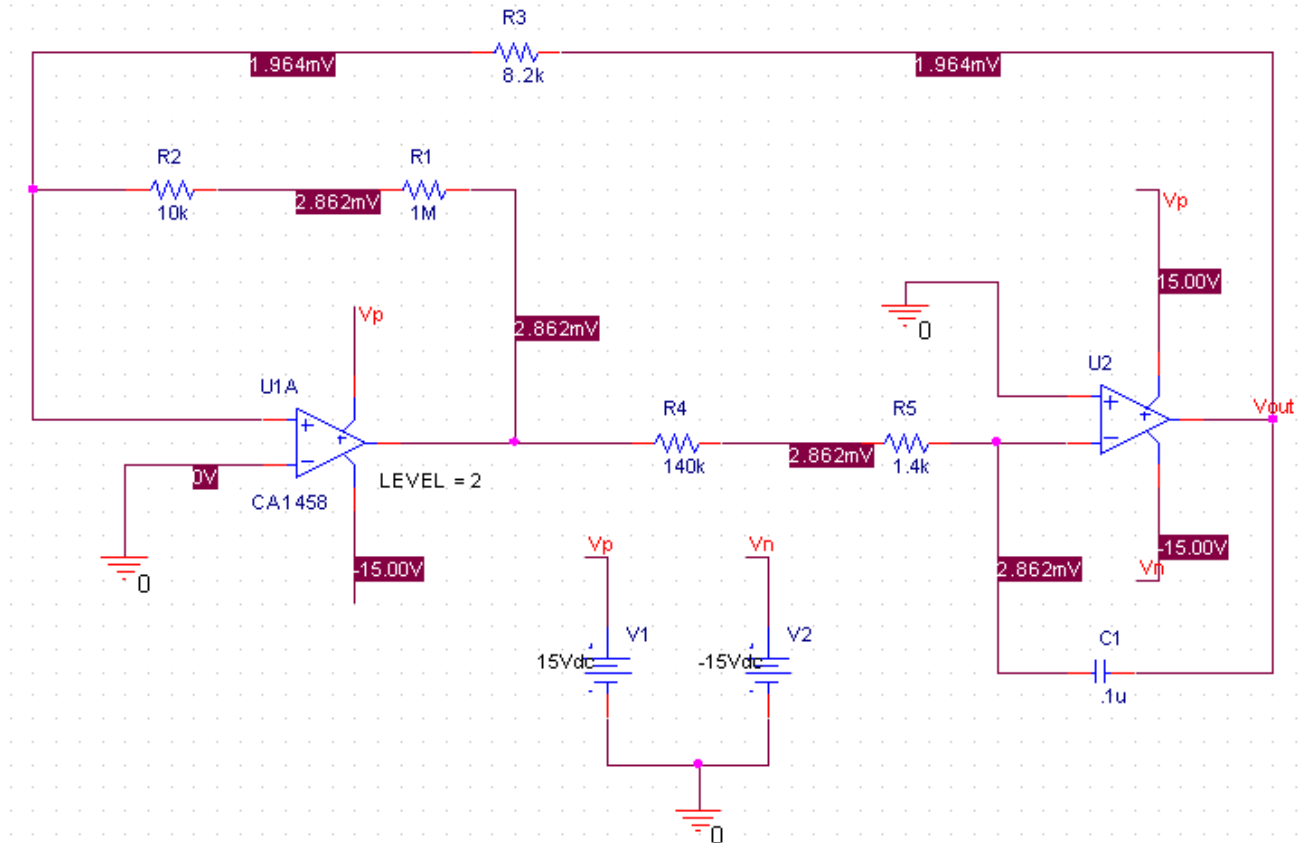
In Capture:

1. In Capture, create a new project `FUNC_GEN.OPJ`, and include `LOCAL_LIB.LIB` as one of the model library.

PSpice User Guide

Creating parts for models

2. Create a circuit as shown in the figure below.



The model CA1458, is a multi-level model and by default, the model level is 3. The LEVEL property for the OPA_LOCAL model is set to 2.

Note: You can also pick the design from, `...tools\pspice\tutorial\capture\modeeditor`.

3. To simulate the circuit, choose Run from the PSpice menu in Capture.

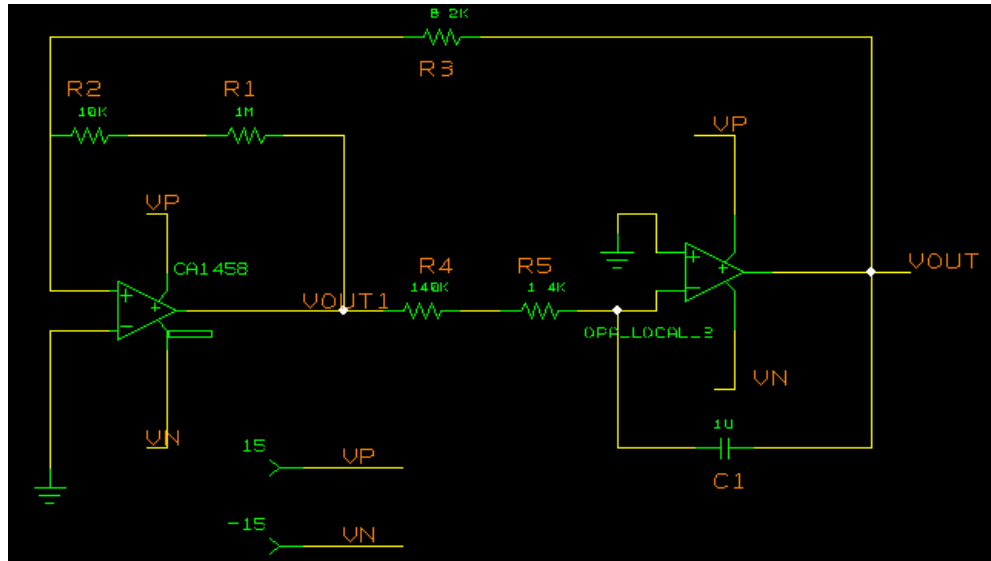
In Design Entry HDL:

1. In Design Entry HDL, create a new project amplifier, and include `local_lib.lib` as one of the model library.

PSpice User Guide

Creating parts for models

2. Create a circuit design as shown in the figure below.



The model CA1458, is also a multi-level model. By default, the model level is 3. For OPA_LOCAL, the value of the LEVEL property is set to 2.

Note: You can also pick the design from,

```
..\tools\pspice\tutorial\concept\modeeditor.
```

Besides the `local_lib`, and `opa.lib` other libraries included in the project are `pspice_elem` and `analog`. If you use the design from the hierarchy, edit the `cds.lib` to specify the correct location of `local_lib`.

3. To simulate the circuit, choose *Run* from the *PSpice* menu in Design Entry HDL.

Changing the level of simulation parameters used in the design

We will now modify the circuit design, such that level 2 simulation parameters are used for CA1458 and level 3 simulation parameters are used for the OPA_LOCAL model, created using the Model Editor.

Changing the level for CA1458

To change the level of simulation parameters for CA1458 from 3 to 2,

1. Select the part CA1458.

2. In Capture, from the Edit menu, choose *Properties*.
In Design Entry HDL, choose *Text - Attributes*.
3. In Capture, in the Property editor dialog box, change the value of LEVEL property from 3 to 2.
In Design Entry HDL, in the Attributes dialog box, change the value of LEVEL property from 3 to 2.
4. In Capture, click *Apply* and close the Property Editor.
In Design Entry HDL, click *OK* to save the changes.

Similarly, change the value of the LEVEL property on OPA_LOCAL from 2 to 3.

You can now simulate the circuit using PSpice or PSpice Advanced Analysis.

Changing Simulation Properties from design entry tools

For all the editable simulation properties, you can specify the value of simulation parameters from the design entry tools.

In Capture:

1. Select OPA_LOCAL.
2. From the Edit menu, choose Properties.
3. In the Property Editor dialog box, select New Row.
4. In the Add New Row dialog box, enter the name of the simulation parameter in the Name text box. Enter VOS.
5. In the Value text box, add the value of the simulation parameter as $2e^{-3}$ and select OK.
6. To make the property and its value visible, first select property row and then select the Display button in the Property Editor dialog box.
7. Specify the Display Format. Select Name and Value.
8. Select Apply and close the dialog box.

PSpice User Guide

Creating parts for models

The simulation parameter and its value appear in the Capture. If you now simulate the design, the simulation parameter value specified in Capture will be used.

In Design Entry HDL:

1. Select OPA_LOCAL_3.
2. From the Edit menu, choose Properties.
3. In the Attributes dialog box, select Add.
4. In the new row enter the name of the simulation parameter in the Name text box. Enter VOS.
5. In the Value text box, add the value of the simulation parameter as $2e^{-3}$ and select OK.
6. To make the property and its value visible, first select property row and then select the Display button in the Property Editor dialog box.
7. Specify the Display Format. Select Name and Value.
8. Select *Apply* and close the dialog box.

The simulation parameter and its value are now visible in Design Entry HDL. If you now simulate the design, the simulation parameter value specified in Design Entry HDL will be used.

Creating parts using interactive mode

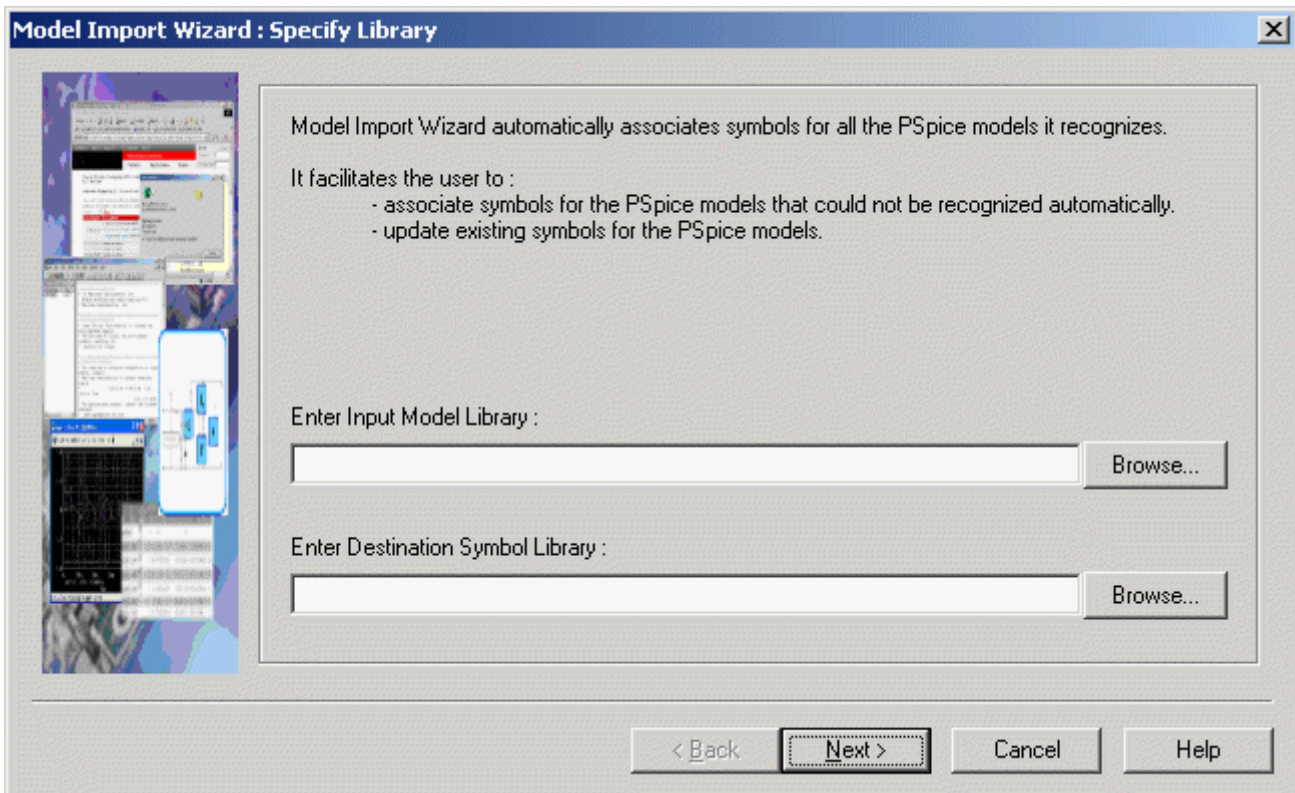
In this section, we will use the Model Import wizard to create models stored in a user defined library, MYLIB. This library consists of four simulation models. These are LM339; which is a voltage comparator macro model subcircuit, INA105E; which is an operational amplifier plus precision resistor network, LF442A/NS; which is a JFET OPAMP, and mybjt; which is a Bipolar Junction Transistor.

Launch Model Import Wizard

PSpice User Guide

Creating parts for models

1. From the File drop-down menu in Model Editor, choose Model Import Wizard [`<design entry tool>`].



Provide Inputs

1. In the Specify Library page of the wizard, specify the location of `MYLIB.LIB`.
2. Specify the name of the part library in which the part symbols generated by the Wizard are to be stored.

You can either specify the name of an existing `.olb` file or create a new `.olb` file.

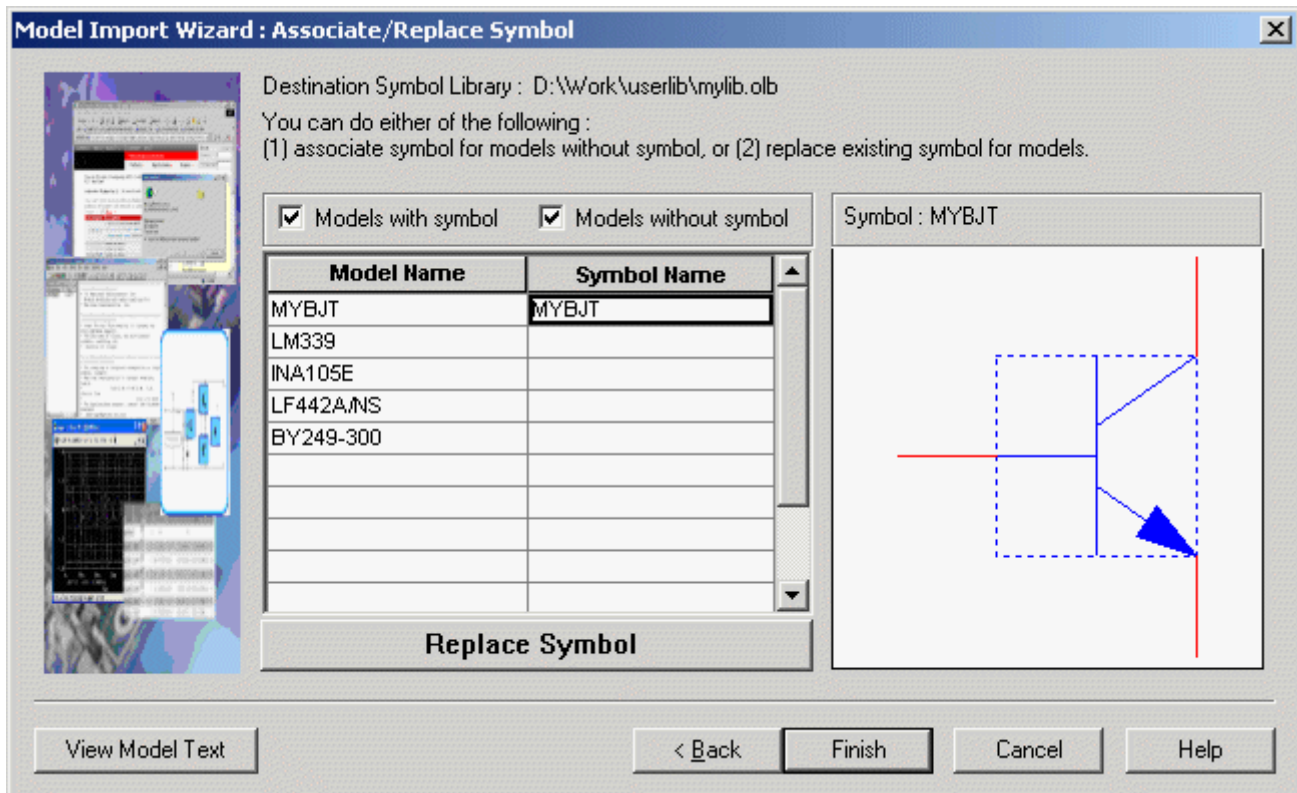
When you specify the name of an existing `.olb` file, you also need to specify if symbols should be created for all the models in the model library while replacing the existing symbols, or whether part symbols are to be created only for the models without the symbols.

The name and the location of the destination symbol library gets populated by default. For the current example, accept the default name, `mylib.olb` and click Next.

PSpice User Guide

Creating parts for models

Depending on the model definition, the Model Import wizard could locate appropriate part symbol for the BJT model only. The named of the symbol attached to the `mybjt` model, is listed in the Symbol Name column and the symbol shape is also visible.



3. You can now complete one of the following steps:

- Close the wizard without attaching any symbols of the rest of the three models in `mylib.lib`.
- Close the wizard, after Model Import wizard attaches rectangular symbols to rest of the models in `mylib.lib`.
- Use the Model Import wizard to select and attach an existing symbol shape to one or all the models in `mylib.lib`.

To execute the first two options, click the Finish button. In the message box that appears, select No to close the library and Yes to attach rectangular symbols and then close the library.

Associating desired part symbol to a PSpice model

Model terminal	Mapped to Symbol Pin
99	V+
50	V-
28	OUT

6. To attach the symbol to LF442A/NS, click the Save Symbol button.

The name of the symbol attached to the model appears in the Symbol Name list.

You have successfully attached a symbol to the selected model. Similarly, you can attach models for the other two symbols as well.

Note: You can use the Model Import wizard to replace a symbol attached to a model with another symbol. To do this, select the model that has a symbol attached to it, and click the Replace Symbol button.

 *Important*

Model Import Wizard can be invoked from Capture to associate a PSpice model to an existing Capture Symbol. To know more about associating PSpice model to a Capture symbol, see *OrCAD Capture User Guide*.

Basing new parts on a custom set of parts

If you are using the Model Editor to automatically generate parts for model definitions, and you want to base the new parts on a custom graphic standard (rather than the PSpice default parts), then you can change which underlying parts either application uses by setting up your own set of parts.

Note: If you use a custom part set, the Model Editor always checks the custom part library first for a part that matches the model definition. If none can be found, they use the PSpice default part instead.

PSpice User Guide

Creating parts for models

To create a custom set of parts for automatic part generation

1. Create a part library with the custom parts.

Be sure to name these parts by their device type as shown in Table 5-1 and Table 5-2; this is how the Model Editor determines which part to use for a model definition.

For more information on creating parts, refer to the *OrCAD Capture User's Guide*.

Table 5-1 Symbol Names for custom symbol generation for regular PSpice models

For this device type...	Use this symbol name...	For this device type...	Use this symbol name...
Bipolar transistor: LPNP	LPNP	Magnetic core	CORE
Bipolar transistor: NPN	NPN	MOSFET: N-channel	NMOS
Bipolar transistor: PNP	PNP	MOSFET: P-channel	PMOS
Capacitor ¹	CAP	OPAMP: 5-pin	OPAMP5
Darlington: N-channel	DARNPN	OPAMP: 7-pin	OPAMP7
Darlington: P-channel	DARPNP	Resistor ¹	RES
Diode	DIODE	Switch: voltage-controlled ¹	VSWITCH
GaAsFET ¹	GASFET	Transmission line ¹	TRN
IGBT: N-channel	NIGBT	Voltage comparator	VCOMP
Inductor ¹	IND	Voltage comparator: 6 pin	VCOMP6
JFET: N-channel	NJF	Voltage reference	VREF
JFET: P-channel	PJF	Voltage regulator	VREG

1. Does not apply to the Model Editor.

Table 5-2 Symbol Names for Custom Symbol Generation for template-based Models

For this device type...	Use this symbol name...	For this device type...	Use this symbol name...
Bipolar transistor: LPNP		Magnetic core	AACORE

PSpice User Guide
Creating parts for models

Table 5-2 Symbol Names for Custom Symbol Generation for template-based Models

For this device type...	Use this symbol name...	For this device type...	Use this symbol name...
Bipolar transistor: NPN	AANPN3	MOSFET: N-channel	AANMOSFET3
Bipolar transistor: PNP	AAPNP3	MOSFET: P-channel	AAPMOSFET3
Capacitor ¹	CAP	OPAMP: 5-pin	AA5_PIN_OPAMP
Darlington: N-channel	AADARNPN3	OPAMP: 7-pin	AA7_PIN_OPAMP
Darlington: P-channel	AADARPNP3	Resistor ¹	
Diode	AADIODE	Switch: voltage-controlled ¹	
GaAsFET ¹		Transmission line ¹	
IGBT: N-channel	AANIGBT3	Voltage comparator	
Inductor ¹		Voltage comparator: 6 pin	
JFET: N-channel	AANCHANNEL3	Voltage reference	
JFET: P-channel	AANPHANNEL3	Voltage regulator	AAVREG

1. Does not apply to the Model Editor.

2. For each custom part, set its IMPLEMENTATION property to `M where ` is a back-single quote or grave character.

This tells the Model Editor to substitute the correct model name.

To base new parts on custom parts using the Model Editor

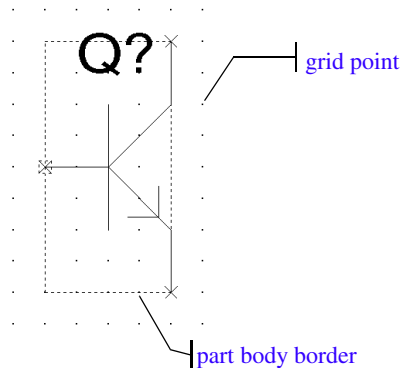
1. In the Model Editor with the library open, choose Part Creation Setup from the Options menu, and enable automatic part creation as described in [To enable automatic part creation for new models](#) on page 289.
2. In the Base Parts On frame, enter the name of the existing part library (*.OLB) that contains your custom parts.
3. Click OK.

Editing part graphics (Capture only)

If you created parts using the Model Editor, and you want to make further changes, the following sections explain a few important things to remember when you edit the parts.

How Capture places parts

When placing parts on the schematic page, the schematic page editor uses the grid as a point of reference for different editing activities. The part's pin ends are positioned on the grid points.



To edit a part in a library

1. From Capture's File menu, point to Open, then choose Library.
2. Select the library that has the part you want to edit.

The library opens and displays all its parts.

3. Double-click the part you want to edit.

The part appears in the part editor.

4. Edit the part.

You can resize it, add or delete graphics, and add or delete pins. For more information about specific part editing tasks, refer to the *OrCAD Capture User's Guide*.

5. After you have finished editing the part, from the File menu, choose Save to save the part to its library.

Here are the things to check when editing part properties:

- Does the PSPICETEMPLATE specify the correct number of pins/nodes?
- Are the pins/nodes in the PSPICETEMPLATE specified in the proper order?
- Do the pin/node names in the PSPICETEMPLATE match the pin names on the part?

Defining grid spacing

Grid spacing for graphics

The grid, denoted by evenly spaced grid points, regulates the sizing and positioning of graphic objects and the positioning of pins. The default grid spacing with snap-to-grid enabled is 0.10", and the grid spacing is 0.01".

You can turn off the grid spacing when you need to draw graphics in a tighter space.

To edit the part graphics

1. In Capture's part editor, display the part you want to edit.
2. Select the line, arc, circle, or other graphic object you want to change, and do any of the following:
 - To stretch or shrink the graphic object, click and drag one of the size handles.
 - To move the entire part graphic, click and drag the edge of the part.

The part body border automatically changes to fit the size of the part graphic.

3. After you have finished editing the part, from the File menu, choose Save to save the part to its library.

Note: When changing part graphics, check to see that all pins are on the grid.

Grid spacing for pins

The part editor always places pins on the grid, even when the snap-to-grid option is turned off. The size of the part is relative to the pin-to-pin spacing for that part. That means that pins placed one grid space apart in the part editor are displayed as one grid space apart in the schematic page editor.

Pins *must* be placed on the grid at integer multiples of the grid spacing. Because the default grid spacing for the Schematic Page Grid is set at 0.10", you will achieve the best results by setting pin spacing in the Part and Symbol Grid at 0.10" intervals from the origin of the part and at least 0.10" from any adjacent pins. For more information about grid spacing and pin placement, refer to the *OrCAD Capture User's Guide*.

The part editor considers pins that are not placed at integer multiples of the grid spacing from the origin as *off-grid*, and a warning appears when you try to save the part.

Here are two guidelines:

- Make sure Pointer Snap to Grid is enabled when editing part pins and editing schematic pages so you can easily make connections.
- Make sure the Part and Symbol Grid spacing *matches* the Schematic Page Grid spacing.

Note: Pin changes that alter the part template can occur if you either:

- change pin names
- or
- delete pins

In these cases you must adjust the value of the part's PSPICETEMPLATE property to reflect these changes. To find out how, see [Pin callout in subcircuit templates](#) on page 316.

Attaching models to parts

If you create parts and want to simulate them, you need to attach model implementations to them. If you created your parts using any of the methods discussed in this chapter, then your part will have a model implementation already attached to it.

MODEL

The IMPLEMENTATION property defines the name of the model that PSpice must use for simulation. When attaching this implementation, this rule applies:

- The Implementation name should match the name of the .MODEL or .SUBCKT definition of the simulation model as it appears in the model library (* .LIB).

Example:

If your design includes a 2N2222 bipolar transistor with a .MODEL name of Q2N2222, then the Implementation name for that part should be Q2N2222.

Note: Make sure that the model library containing the definition for the attached model is configured in the list of libraries for your project. See [Configuring model libraries](#) on page 245 for more information.

For more information on model editing in general, see [Chapter 4, “Creating and editing models.”](#) For specific information on changing model references, see [Changing the model reference to an existing model definition](#) on page 241.

To attach a model implementation

1. In the schematic page editor, double-click a part to display the Parts spreadsheet of the Property Editor.

Assume the spreadsheet is displayed in columns and follow the instructions below.

2. Click on the empty cell under the Implementation Type column.

A drop-down list appears in the cell.

PSpice User Guide

Creating parts for models

3. From the Implementation Type drop-down list, select PSpice Model.
4. Click on the empty cell under the Implementation column, and type the name of the model to attach to the part.

Note: You do not need to enter an Implementation Path because PSpice searches for the model in the list of model libraries you configure for this project.

5. Click Apply to update the design, then close the Parts spreadsheet.



In case you want to reuse the part symbol that was originally attached to a characteristic curve-based model, with a template-based simulation model, you must delete the PSPICETEMPLATE property from the part symbol.

Example:

Consider a scenario where you have two simulation models for a bipolar transistor, with the same name 2n2222 in two different libraries. First simulation model is based on characteristic curves and the second based on PSpice templates. Both the simulation models have same name, therefore the same value for the IMPLEMENTATION property.

The simulation model based on characteristic curves, which is of .MODEL type, is used in a schematic design. The part symbol for the bipolar transistor will have the IMPLEMENTATION property set to Q2n2222 and the PSPICETEMPLATE property attached to it. Now modify the BJT symbol by attaching a template-based model to the symbol. The value of the IMPLEMENTATION property will not change because the name of the template-based model is same as that of the characteristic curves-based model. Therefore, to ensure that the correct model is used during simulation, you must delete the PSPICETEMPLATE property from the part symbol and configure the library containing the template-based BJT model.

Note: You can check whether the right model is being used or not, by viewing the simulation netlist generated by PSpice. The simulation netlist for a .MODEL type BJT model starts with Q,

where as the simulation netlist for a .SUBCKT model starts with X.

Defining part properties needed for simulation

If you created your parts using any of the methods discussed in this chapter, then your part will have these properties already defined for it:

- PSPICETEMPLATE for simulation in both Capture and Design Entry HDL
- PART and REFDES for identification in Capture
- LOCATION for identification in Design Entry HDL

You can also add other simulation-specific properties for digital parts: IO_LEVEL, MNTYMXDLY, and PSPICEDEFAULTNET (for pins).

Example:

If you create a part that has electrical behavior described by the subcircuit definition that starts with:

```
.SUBCKT 7400 A B Y
+ optional: DPWR=$G_DPWR DGND=$G_DGND
+ params: MNTYMXDLY=0 IO_LEVEL=0
```

then the appropriate part properties are:

```
IMPLEMENTATION = 7400
MNTYMXDLY = 0
IO_LEVEL = 0
PSPICETEMPLATE = X^@REFDES %A %B %Y %PWR %GND
@MODEL PARAMS:IO_LEVEL=@IO_LEVEL
MNTYMXDLY=@MNTYMXDLY
```

Note: For clarity, the PSPICETEMPLATE property value is shown here in multiple lines; in a part definition, it is specified in one line (no line breaks).

To edit a property needed for simulation in Capture:

1. In the schematic page editor, select the part to edit.

P Spice User Guide

Creating parts for models

2. From the Edit menu, choose Properties to display the Parts spreadsheet of the Property Editor.
3. Click in the cell of the column you want to change (for example, PSPICETEMPLATE), or click the New button to add a property (and type the property name in the Name text box).
4. If needed, type a value in the Value text box.
5. Click Apply to update the design, then close the spreadsheet.

To edit a property needed for simulation in Design Entry HDL:

1. From the Text menu in Design Entry HDL, choose Attributes.
2. Click on the part to display the Attributes dialog box.
3. Click in the Name text box of the property you want to change (for example, PSPICETEMPLATE), or click the Add button to add a property (and type the property name in the Name text box).
4. Specify the value of the property in the Value text box.
5. Click OK to save the changes and close the Attributes dialog box.

Here are the things to check when editing part properties:

1. Does the PSPICETEMPLATE specify the correct number of pins/nodes?
2. Are the pins/nodes in the PSPICETEMPLATE specified in the proper order?
3. Do the pin/node names in the PSPICETEMPLATE match the pin names on the part?

Table 5-3

To find out more about this property...	See this...
PSPICETEMPLATE	<u>PSPICETEMPLATE</u> on page 310
IO_LEVEL	<u>IO_LEVEL</u> on page 319
MNTYMXDLY	<u>MNTYMXDLY</u> on page 320

Table 5-3

To find out more about this property...	See this...
PSPICEDEFAULTNET	PSPICEDEFAULTNET on page 321

PSPICETEMPLATE

The PSPICETEMPLATE property defines the PSpice syntax for the part's netlist entry. When creating a netlist, the design entry tool substitutes actual values from the circuit into the appropriate places in the PSPICETEMPLATE syntax, then saves the translated statement to the netlist file.



Caution

The PSPICETEMPLATE property is required only for models based on device characteristic curves. For template-based models, netlisting is done using the PORT_ORDER information available in the device property file.

Note: The PSPICETEMPLATE property is not required with template-based models. Therefore, while modifying a design, if you attach a template-based model to a part originally attached to a characteristic curve based model, then besides changing the Implementation property, you must also delete the PSPICETEMPLATE property.

Any part that you want to simulate must have a defined PSPICETEMPLATE property. These rules apply:

- The pin names specified in the PSPICETEMPLATE property must match the pin names on the part.
- The number and order of the pins listed in the PSPICETEMPLATE property must match those for the associated .MODEL or .SUBCKT definition referenced for simulation.

- The first character in a PSPICETEMPLATE must be a PSpice device letter appropriate for the part (such as Q for a bipolar transistor).

See [Passive parts](#) on page 152 and [Breakout parts](#) on page 153 for a list of device types and PSpice device letters.

Device types and PSpice device letters are also listed in the online *PSpice Reference Guide*.



Creating parts not intended for simulation
Some part libraries contain parts designed only for board layout; PSpice cannot simulate these parts. This means they do not have PSPICETEMPLATE properties or that the PSPICETEMPLATE property value is blank.

PSPICETEMPLATE syntax

The PSPICETEMPLATE contains:

- *regular characters* that the schematic page editor interprets verbatim
- *property names* and *control characters* that the schematic page editor translates

Regular characters in templates

Regular characters include the following:

- alphanumerics
- any keyboard part *except* the special syntactical parts used with properties (@ & ? ~ #).
- white space

An *identifier* is a collection of regular characters of the form:

alphabetic character [any other regular character].*

Property names in templates

Property names are preceded by a special character as follows:

[@ | ? | ~ | # | &]<identifier>

The schematic page editor processes the property according to the special character as shown in the following table.

Table 5-4

This syntax...¹	Is replaced with this...
@<id>	Value of <id>. Error if no <id> attribute or if no value assigned.
&<id>	Value of <id> if <id> is defined.
?<id>s...s	Text between s...s separators if <id> is defined.
?<id>s...ss...s	Text between the first s...s separators if <id> is defined, else the second s...s clause.
~<id>s...s	Text between s...s separators if <id> is undefined.
~<id> s...ss...s	Text between the first s...s separators if <id> is undefined, else the second s...s clause.
#<id>s...s	Text between s...s separators if <id> is defined, but delete rest of template if <id> is undefined.

1. s is a separator character

Separator characters include commas (,), periods (.), semicolons (;), forward slashes (/), and vertical bars (|). You must always use the same character to specify an opening-closing pair of separators.

Example: The template fragment ?G|G=@G| |G=1000| uses the vertical bar as the separator between the if-then-else parts of this conditional clause. If G has a value, then this fragment translates to G=<G property value>. Otherwise, this fragment translates to G=1000.

Note: You can use different separator characters to nest conditional property clauses.

The ^ character in templates

The schematic page editor replaces the ^ character with the complete hierarchical path to the device being netlisted.

The \n character sequence in templates

The part editor replaces the character sequence \n with a new line. Using \n, you can specify a multi-line netlist entry from a one-line template.

The % character and pin names in templates

Pin names are denoted as follows:

`%<pin name>`

where *pin name* is one or more regular characters.

The schematic page editor replaces the `%<pin name>` clause in the template with the name of the net connected to that pin.

The end of the pin name is marked with a separator (see [Property names in templates](#) on page 312). To avoid name conflicts in PSpice, the schematic page editor translates the following characters contained in pin names.

Table 5-5

This pin name character...	Is replaced with this...
<	(L)
>	g
=	e
\XXX\	XXXbar

Note: To include a literal % character in the netlist, type %% in the template.



Recommended scheme for netlist templates
Templates for devices in the part library start with a PSpice device letter, followed by the hierarchical path, and then the reference designator (REFDES) property. We recommend that you adopt this scheme when defining your own netlist templates.

Example: R^@REFDES ... for a resistor

PSPICETEMPLATE examples

Simple resistor (R) template

The R part has:

- two pins: 1 and 2
- two required properties: REFDES and VALUE

Template

```
R^@REFDES %1 %2 @VALUE
```

Sample translation

```
R_R23 abc def 1k
```

where REFDES equals R23, VALUE equals 1k, and R is connected to nets abc and def.

Voltage source with optional AC and DC specifications (VAC) template

The VAC part has:

- two properties: AC and DC
- two pins: + and -

Template

PSpice User Guide

Creating parts for models

```
V^@REFDES %+ %- ?DC |DC=@DC | ?AC |AC=@AC |
```

Sample translation

```
V_V6 vp vm DC=5v
```

where REFDES equals V6, VSRC is connected to nodes vp and vm, DC is set to 5v, and AC is undefined.

Sample translation

```
V_V6 vp vm DC=5v AC=1v
```

where, in addition to the settings for the previous translation, AC is set to 1v.

Parameterized subcircuit call (X) template

Suppose you have a subcircuit Z that has:

- two pins: a and b
- a subcircuit parameter: G, where G defaults to 1000 when no value is supplied

To allow the parameter to be changed on the schematic page, treat G as an property in the template.

Template

```
X^@REFDES %a %b Z PARAMS: ?G|G=@G|  
~G|G=1000|
```

Note: For clarity, the PSPICETEMPLATE property value is shown here in multiple lines; in a part definition, it is specified in one line (no line breaks).

Equivalent template (using the if...else form)

```
X^@REFDES %a %b Z PARAMS: ?G|G=@G||G=1000|
```

Sample translation

```
X_U33 101 102 Z PARAMS: G=1024
```

where REFDES equals U33, G is set to 1024, and the subcircuit connects to nets 101 and 102.

Sample translation

```
X_U33 101 102 Z PARAMS: G=1000
```

PSpice User Guide

Creating parts for models

where the settings of the previous translation apply except that G is undefined.

Digital stimulus parts with variable width pins template

For a digital stimulus device template (such as that for a DIGSTIM part), a pin name can be preceded by a * character. This signifies that the pin can be connected to a bus and the width of the pin is set to be equal to the width of the bus.

Template

```
U^@REFDES STIM(%#PIN, 0) %*PIN
  \n+ STIMULUS=@STIMULUS
```

where #PIN refers to a variable width pin.

Note: For clarity, the PSPICETEMPLATE property value is shown here in multiple lines; in a part definition, it is specified in one line (no line breaks).

Sample translation

```
U_U1 STIM(4,0) 5PIN1 %PIN2 %PIN3 %PIN4
+ STIMULUS=mystim
```

where the stimulus is connected to a four-input bus, a[0-3].

Pin callout in subcircuit templates

The number and sequence of pins named in a template for a subcircuit must agree with the definition of the subcircuit itself—that is, the node names listed in the .SUBCKT statement, which heads the definition of a subcircuit. These are the pinouts of the subcircuit. To find out how to define subcircuits, refer to the .SUBCKT command in the online *PSpice Reference Guide*.

Example:

Consider the following first line of a (hypothetical) subcircuit definition:

```
.SUBCKT SAMPLE 10 3 27 2
```

The four numbers following the name SAMPLE—10, 3, 27, and 2—are the node names for this subcircuit's pinouts.

PSpice User Guide

Creating parts for models

Now suppose that the part definition shows four pins:

IN+ OUT+ IN- OUT-

The number of pins on the part equals the number of nodes in the subcircuit definition.

If the correspondence between pin names and nodes is as follows:

Table 5-6

This node name...	Corresponds to this pin name...
10	IN+
3	IN-
27	OUT+
2	OUT-

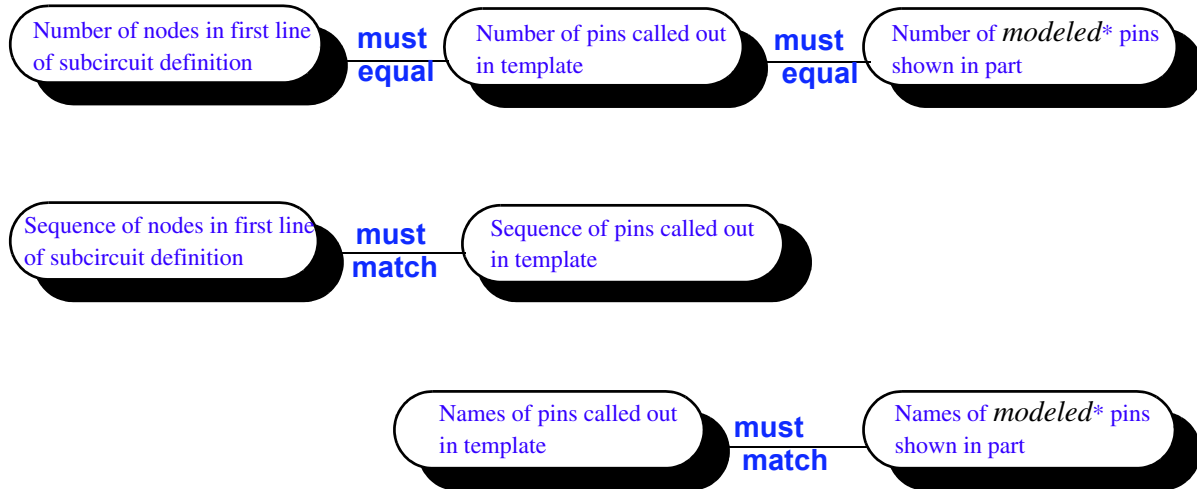
then the template looks like this:

```
X^@REFDES %IN+ %IN- %OUT+ %OUT- @MODEL
```

PSpice User Guide

Creating parts for models

The *rules of agreement* are outlined in Figure 5-2.



* Unmodeled pins may appear on a part (like the two voltage offset pins on a 741 opamp part). These pins are not netlisted and do not appear on the template.

Figure 5-2 Rules for pin callout in subcircuit templates

IO_LEVEL

All digital parts provided in the PSpice libraries have an IO_LEVEL property.

The IO_LEVEL property defines what level of interface subcircuit model PSpice must use for a digital part that is connected to an analog part. To find out more about interface subcircuits, see [Interface subcircuit selection by PSpice](#) on page 655.

To use the IO_LEVEL property with a digital part

1. Add the IO_LEVEL property to the part and assign a value shown in the table below.

Table 5-7

Assign this value...	To use this interface subcircuit (level)...
0	circuit-wide default
1	AtoD1 and DtoA1
2	AtoD2 and DtoA2
3	AtoD3 and DtoA3
4	AtoD4 and DtoA4

2. Use this property in the PSPICETEMPLATE property definition (IO_LEVEL is also a subcircuit parameter used in calls for digital subcircuits).

Example:

```
PSPICETEMPLATE=X^@REFDES %A %B %C %D %PWR %GND
@MODEL PARAMS:\n+
IO_LEVEL=@IO_LEVEL
MNTYMXDLY=@MNTYMXDLY
```

Note: For clarity, the PSPICETEMPLATE property value is shown here in multiple lines; in a part definition, it is specified in one line (no line breaks).

MNTYMXDLY

All digital parts provided in the PSpice libraries have a MNTYMXDLY property.

The MNTYMXDLY property defines the digital propagation delay level that PSpice must use for a digital part. To find out more about propagation delays, see [Timing characteristics](#) on page 390 and [Selecting propagation delays](#) on page 637.

To use the MNTYMXDLY property with a digital part

1. Add the MNTYMXDLY property to the part and assign a value shown in the table below.

Table 5-8

Assign this value...	To use this propagation delay...
0	circuit-wide default
1	minimum
2	typical
3	maximum
4	worst-case (min/max)

2. Use this property in the PSPICETEMPLATE property definition (MNTYMXDLY is also a subcircuit parameter used in calls for digital subcircuits).

Example:

```
PSPICETEMPLATE=X^@REFDES %A %B %C %D %PWR %GND
@MODEL PARAMS:\n+
IO_LEVEL=@IO_LEVEL
MNTYMXDLY=@MNTYMXDLY
```

Note: For clarity, the PSPICETEMPLATE property value is shown here in multiple lines; in a part definition, it is specified in one line (no line breaks).

PSPICEDEFAULTNET

The PSPICEDEFAULTNET pin property defines the net name to which a hidden (invisible) pin is connected. Hidden pins are typically used for power and ground on digital parts.

To use the PSPICEDEFAULTNET property with a digital part

1. For each PSPICEDEFAULTNET property, assign the name of the digital net to which the pin is connected.

Example:

If power (PWR) and ground (GND) pins of a digital part connect to the digital nets \$G_DPWR and \$G_DGND, respectively, then the PSPICEDEFAULTNET properties for these pins are:

```
PSPICEDEFAULTNET=$G_DPWR  
PSPICEDEFAULTNET=$G_DGND
```

2. Use the appropriate hidden pin name in the PSPICETEMPLATE property definition.

Example:

If the name of the hidden power pin is PWR and the name of the hidden ground pin is GND, then the template might look like this:

```
PSPICETEMPLATE=X^@REFDES %A %B %C %D %PWR %GND  
@MODEL PARAMS:\n+  
IO_LEVEL=@IO_LEVEL  
MNTYMXDLY=@MNTYMXDLY
```

Note: For clarity, the PSPICETEMPLATE property value is shown here in multiple lines; in a part definition, it is specified in one line (no line breaks).

PSpice User Guide

Creating parts for models

Analog behavioral modeling

Chapter overview

This chapter describes how to use the Analog Behavioral Modeling (ABM) feature of PSpice¹. This chapter includes the following sections:

- [Overview of analog behavioral modeling](#) on page 324
- [The ABM part library file](#) on page 325
- [Placing and specifying ABM parts](#) on page 326
- [ABM part templates](#) on page 328
- [Control system parts](#) on page 329
- [PSpice-equivalent parts](#) on page 356
- [Cautions and recommendations for simulation and analysis](#) on page 369
- [Basic controlled sources](#) on page 375

1. Depending on the license available, you will access either PSpice or PSpice Simulator.

Overview of analog behavioral modeling

You can use the Analog Behavioral Modeling (ABM) feature of PSpice to make flexible descriptions of electronic components in terms of a transfer function or lookup table. In other words, a mathematical relationship is used to model a circuit segment, so you do not need to design the segment component by component.

The part library contains several ABM parts that are classified as either control system parts or as PSpice-equivalent parts. See [Basic controlled sources](#) on page 375 for an introduction to these parts, how to use them, and the difference between parts with general-purpose application and parts with special-purpose application.

Control system parts are defined with the reference voltage preset to ground so that each controlling input and output are represented by a single pin in the part. These are described in [Control system parts](#) on page 329.

PSpice-equivalent parts reflect the structure of the PSpice E and G device types, which respond to a differential input and have double-ended output. These are described in [PSpice-equivalent parts](#) on page 356.

You can also use the Device Equations Developer's Kit for modeling of this type, but we recommend using the ABM feature wherever possible. With the Device Equations Developer's Kit, the PSpice source code is actually modified. While this is more flexible and produces faster results, it is also much more difficult to use and to troubleshoot. Also, any changes you make using the Device Equations Developer's Kit must be made to all new PSpice updates you install.

Note: The Device Equations Developer's Kit is available to qualified customers only. Please contact PSpice Customer Support for qualification criteria.

Device models made with ABM can be used for most cases, are much easier to create, and are compatible with PSpice updates.

The ABM part library file

The ABM part library contains the ABM components. This library contains two sections.

The first section has parts that you can quickly connect to form control system types of circuits. These components have names like SUM, GAIN, LAPLACE, and HIPASS.

The second section contains parts that are useful for more traditional controlled source forms of schematic parts. These PSpice-equivalent parts have names like EVALUE and GFREQ and are based on extensions to traditional PSpice E and G device types.

Implement ABM components by using PSpice primitives; there is no corresponding `ABM.LIB` model library. A few components generate multi-line netlist entries, but most are implemented as single PSpice E or G device declarations. See [ABM part templates](#) on page 328 for a description of `PSPICETEMPLATE` properties and their role in generating netlist declarations. See [Implementation of PSpice-equivalent parts](#) on page 357 for more information about PSpice E and G syntax.

Placing and specifying ABM parts

Place and connect ABM parts the same way you place other parts. After you place an ABM part, you can edit the instance properties to customize the operational behavior of the part. This is equivalent to defining an ABM expression describing how inputs are transformed into outputs. The following sections describe the rules for specifying ABM expressions.

Net names and device names in ABM expressions

In ABM expressions, refer to signals by name. This is also considerably more convenient than having to connect a wire from a pin on an ABM component to a point carrying the voltage of interest.

If you used an expression such as V(2), then the referenced net (2 in this case) is interpreted as the name of a local or global net. A local net is a labeled wire or bus segment in a hierarchical schematic, or a labeled offpage connector. A global net is a labeled wire or bus segment at the top level, or a global connector.

Note: The name of an interface port does not extend to any connected nets. To refer to a signal originating at an interface port, connect the port to an offpage connector of the desired name.

OrCAD Capture recognizes these constructs in ABM expressions:

```
V(<net name>)  
V(<net name>, <net name>)  
I(<vdevice>)
```

When one of these is recognized, Capture searches for <net name> or <vdevice> in the net name space or the device name space, respectively. Names are searched for first at the hierarchical level of the part being netlisted. If not found there, then the set of global names is searched. If the fragment is not found, then a warning is issued but Capture still outputs the resulting netlist. When a match is found, the original fragment is replaced by the fully qualified name of the net or device.

For example, suppose we have a hierarchical part U1. Inside the schematic representing U1 we have an ABM expression including the term V(Reference). If “Reference” is the name of a local net, then the fragment written to the netlist will be translated to

V(U1_Reference). If “Reference” is the name of a global net, the corresponding netlist fragment will be V(Reference).

Names of voltage sources are treated similarly. For example, an expression including the term I(Vsense) will be output as I(V_U1_Vsense) if the voltage source exists locally, and as I(V_Vsense) if the voltage source exists at the top level.

Forcing the use of a global definition

If a net name exists both at the local hierarchical level and at the top level, the search mechanism used by Capture will find the local definition. You can override this, and force Capture to use the global definition, by prefixing the name with a single quote (') character.

For example, suppose there is a net called Reference both inside hierarchical part U1 and at the top level. Then, the ABM fragment V(Reference) will result in V(U1_Reference) in the netlist, while the fragment V('Reference) will produce V(Reference).

ABM part templates

For most ABM parts, a single PSpice “E” or “G” device declaration is output to the netlist per part instance. The PSPICETEMPLATE property in these cases is straightforward. For example the LOG part defines an expression variant of the E device with its output being the natural logarithm of the voltage between the input pin and ground:

```
E^@REFDES %out 0 VALUE { LOG(V(%in)) }
```

The fragment E^@REFDES is standard. The “E” specifies a PSpice A/D controlled voltage source (E device); %in and %out are the input and output pins, respectively; VALUE is the keyword specifying the type of ABM device; and the expression inside the curly braces defines the logarithm of the input voltage.

Several ABM parts produce more than one primitive PSpice A/D device per part instance. In this case, the PSPICETEMPLATE property may be quite complicated. An example is the DIFFER (differentiator) part. This is implemented as a capacitor in series with a current sensor together with an E device which outputs a voltage proportional to the current through the capacitor.

The template has several unusual features: it gives rise to three primitives in the PSpice A/D netlist, and it creates a local node for the connection of the capacitor and its current-sensing V device.

```
C^@REFDES %in $$U^@REFDES 1\n
V^@REFDES $$U^@REFDES 0 0v\n
E^@REFDES %out 0 VALUE {@GAIN * I(V^@REFDES)}
```

Note: For clarity, the template is shown on three lines although the actual template is a single line.

The fragments C^@REFDES, V^@REFDES, and E^@REFDES create a uniquely named capacitor, current sensing V device, and E device, respectively. The fragment \$\$U^@REFDES creates a name suitable for use as a local node. The E device generates an output proportional to the current through the local V device.

Control system parts

Control system parts have single-pin inputs and outputs. The reference for input and output voltages is analog ground (0) from the SOURCE.OLB library. An enhancement to PSpice means these components can be connected together with no need for dummy load or input resistors.

Table 6-1 lists the control system parts, grouped by function. Also listed are characteristic properties that may be set. In the sections that follow, each part and its properties are described in more detail.

Table 6-1 Control system parts

Category	Part	Description	Properties
Basic components	CONST	constant	VALUE
	SUM	adder	
	MULT	multiplier	
	GAIN	gain block	GAIN
	DIFF	subtractor	
Limiters	LIMIT	hard limiter	LO, HI
	GLIMIT	limiter with gain	LO, HI, GAIN
	SOFTLIM	soft (tanh) limiter	LO, HI, GAIN
Chebyshev filters	LOPASS	lowpass filter	FP, FS, RIPPLE, STOP
	HIPASS	highpass filter	FP, FS, RIPPLE, STOP
	BANDPASS	bandpass filter	F0, F1, F2, F3, RIPPLE, STOP
	BANDREJ	band reject (notch) filter	F0, F1, F2, F3, RIPPLE, STOP

PSpice User Guide
Analog behavioral modeling

Table 6-1 Control system parts, *continued*

Category	Part	Description	Properties
Integrator and differentiator	INTEG	integrator	GAIN, IC
	DIFFER	differentiator	GAIN
Table look-ups	TABLE	lookup table	ROW1...ROW5
	FTABLE	frequency lookup table	ROW1...ROW5
Laplace transform	LAPLACE	Laplace expression	NUM, DENOM
Math functions (where 'x' is the input)	ABS	x	
	SQRT	$x^{1/2}$	
	PWR	$ x ^{EXP}$	EXP
	PWRS	x^{EXP}	EXP
	LOG	$\ln(x)$	
	LOG10	$\log(x)$	
	EXP	e^x	
	SIN	$\sin(x)$	
	COS	$\cos(x)$	
	TAN	$\tan(x)$	
	ATAN	$\tan^{-1}(x)$	
	ARCTAN	$\tan^{-1}(x)$	

Table 6-1 Control system parts, *continued*

Category	Part	Description	Properties
Expression functions	ABM	no inputs, V out	EXP1...EXP4
	ABM1	1 input, V out	EXP1...EXP4
	ABM2	2 inputs, V out	EXP1...EXP4
	ABM3	3 inputs, V out	EXP1...EXP4
	ABM/I	no input, I out	EXP1...EXP4
	ABM1/I	1 input, I out	EXP1...EXP4
	ABM2/I	2 inputs, I out	EXP1...EXP4
	ABM3/I	3 inputs, I out	EXP1...EXP4

Basic components

The basic components provide fundamental functions and in many cases, do not require specifying property values. These parts are described below.

CONST

VALUE constant value

The CONST part outputs the voltage specified by the VALUE property. This part provides no inputs and one output.

SUM

The SUM part evaluates the voltages of the two input sources, adds the two inputs together, then outputs the sum. This part provides two inputs and one output.

MULT

The MULT part evaluates the voltages of the two input sources, multiplies the two together, then outputs the product. This part provides two inputs and one output.

GAIN

GAIN constant gain value

The GAIN part multiplies the input by the constant specified by the GAIN property, then outputs the result. This part provides one input and one output.

DIFF

The DIFF part evaluates the voltage difference between two inputs, then outputs the result. This part provides two inputs and one output.

Limiters

The Limiters can be used to restrict an output to values between a set of specified ranges. These parts are described below.

LIMIT

HI upper limit value

LO lower limit value

The LIMIT part constrains the output voltage to a value between an upper limit (set with the HI property) and a lower limit (set with the LO property). This part takes one input and provides one output.

GLIMIT

HI upper limit value

LO lower limit value

GAIN constant gain value

The GLIMIT part functions as a one-line opamp. The gain is applied to the input voltage, then the output is constrained to the limits set by the LO and HI properties. This part takes one input and provides one output.

SOFTLIMIT

HI upper limit value

LO lower limit value

GAIN constant gain value

A, B, V, internal variables used to define the
TANH limiting function

The SOFTLIMIT part provides a limiting function much like the LIMIT device, except that it uses a continuous curve limiting function, rather than a discontinuous limiting function. This part takes one input and provides one output.



Besides the limiters listed above, the ABM.OLB consists of a legacy part, HILO. This part is in the library for backward compatibility and should not be used in your designs.

Chebyshev filters

The Chebyshev filters allow filtering of the signal based on a set of frequency characteristics. The output of a Chebyshev filter depends upon the analysis being performed.

Note: PSpice computes the impulse response of each Chebyshev filter used in a transient analysis during circuit read-in. This may require considerable computing time. A message is displayed on your screen indicating that the computation is in progress.

For DC and bias point, the output is simply the DC response of the filter. For AC analysis, the output for each frequency is the filter response at that frequency. For transient analysis, the output is then the convolution of the past values of the input with the impulse response of the filter. These rules follow the standard method of using Fourier transforms.

Note: To obtain a listing of the filter Laplace coefficients for each stage, choose Setup from the Analysis menu, click on Options, and enable LIST in the Options dialog box.

We recommend looking at one or more of the references cited in [Frequency-domain device models](#) on page 364, as well as some of the following references on analog filter design:

- Ghavsi, M.S. & Laker, K.R., *Modern Filter Design*, Prentice-Hall, 1981.
- Gregorian, R. & Temes, G., *Analog MOS Integrated Circuits*, Wiley-Interscience, 1986.

PSpice User Guide

Analog behavioral modeling

- Johnson, David E., *Introduction to Filter Theory*, Prentice-Hall, 1976.
- Lindquist, Claude S., *Active Network Design with Signal Filtering Applications*, Steward & Sons, 1977.
- Stephenson, F.W. (ed), *RC Active Filter Design Handbook*, Wiley, 1985.
- Van Valkenburg, M.E., *Analog Filter Design*, Holt, Rinehart & Winston, 1982.
- Williams, A.B., *Electronic Filter Design Handbook*, McGraw-Hill, 1981.

Each of the Chebyshev filter parts is described in the following pages.

LOPASS

FS	stop band frequency
FP	pass band frequency
RIPPLE	pass band ripple in dB
STOP	stop band attenuation in dB

The LOPASS part is characterized by two cutoff frequencies that delineate the boundaries of the filter pass band and stop band. The attenuation values, RIPPLE and STOP, define the maximum allowable attenuation in the pass band, and the minimum required attenuation in the stop band, respectively. The LOPASS part provides one input and one output.

Figure [6-1](#) shows an example of a LOPASS filter device. The filter provides a pass band cutoff of 800 Hz and a stop band cutoff of 1.2 kHz. The pass band ripple is 0.1 dB and the minimum stop band attenuation is 50 dB.

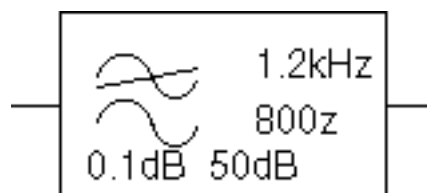


Figure 6-1 LOPASS filter part example

Assuming that the input to the filter is the voltage at net 10 and output is a voltage between nets 5 and 0, this will produce a PSpice netlist declaration like this:

```
ELOWPASS 5 0 CHEBYSHEV {V(10)} LP (800Hz 1.2kHz) .1dB 50dB
```

HIPASS

FS	stop band frequency
FP	pass band frequency
RIPPLE	pass band ripple in dB
STOP	stop band attenuation in dB

The HIPASS part is characterized by two cutoff frequencies that delineate the boundaries of the filter pass band and stop band. The attenuation values, RIPPLE and STOP, define the maximum allowable attenuation in the pass band, and the minimum required attenuation in the stop band, respectively. The HIPASS part provides one input and one output.

Figure 6-2 shows an example of a HIPASS filter device. This is a high pass filter with the pass band above 1.2 kHz and the stop band below 800 Hz.

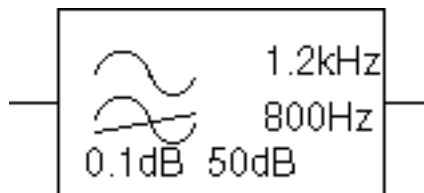


Figure 6-2 HIPASS filter part example

Again, the pass band ripple is 0.1 dB and the minimum stop band attenuation is 50 dB. This will produce a PSpice netlist declaration like this:

```
EHIGHPASS 5 0 CHEBYSHEV {V(10)} HP (1.2kHz 800Hz) .1dB 50dB
```


BANDPASS

RIPPLE pass band ripple in dB
STOP stop band attenuation in dB
F0, F1, cutoff frequencies
F2, F3

The BANDPASS part is characterized by four cutoff frequencies. The attenuation values, RIPPLE and STOP, define the maximum allowable attenuation in the pass band, and the minimum required attenuation in the stop band, respectively. The BANDPASS part provides one input and one output.

Figure 6-3 shows an example of a BANDPASS filter device. This is a band pass filter with the pass band between 1.2 kHz and 2 kHz, and stop bands below 800 Hz and above 3 kHz.

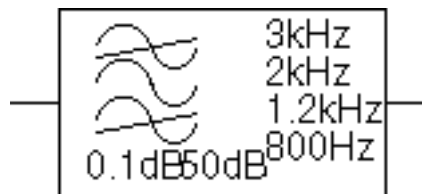


Figure 6-3 BANDPASS filter part example

The pass band ripple is 0.1 dB and the minimum stop band attenuation is 50 dB. This will produce a PSpice A/D netlist declaration like this:

```
EBANDPASS 5 0 CHEBYSHEV  
+ {V(10)} BP (800 1.2kHz 2kHz 3kHz) .1dB 50dB
```

BANDREJ

RIPPLE is the pass band ripple in dB
STOP is the stop band attenuation in dB
F0, F1, are the cutoff frequencies
F2, F3

The BANDREJ part is characterized by four cutoff frequencies. The attenuation values, RIPPLE and STOP, define the maximum allowable attenuation in the pass band, and the minimum required attenuation in the stop band, respectively. The BANDREJ part provides one input and one output.

Figure 6-4 shows an example of a BANDREJ filter device. This is a band reject (or “notch”) filter with the stop band between 1.2 kHz and 2 kHz, and pass bands below 800 Hz and above 3 kHz.



Figure 6-4 BANDREJ filter part example

The pass band ripple is 0.1 dB and the minimum stop band attenuation is 50 dB. This will produce a PSpice netlist declaration like this:

```
EBREJ 5 0 CHEBYSHEV {V(10)} BR (800Hz 1.2kHz 3kHz 2kHz)
.1dB 50dB
```

Integrator and differentiator

The integrator and differentiator parts are described below.

INTEG

IC initial condition of the integrator output
GAIN gain value

The INTEG part implements a simple integrator. A current source/capacitor implementation is used to provide support for setting the initial condition.

DIFFER

GAIN gain value

The DIFFER part implements a simple differentiator. A voltage source/capacitor implementation is used. The DIFFER part provides one input and one output.

Table look-up parts

TABLE and FTABLE parts provide a lookup table that is used to correlate an input and an output based on a set of data points. These parts are described below and on the following pages.

TABLE

ROW n is an (input, output) pair; by default, up to five triplets are allowed where $n=1, 2, 3, 4,$ or 5

If more than five values are required, the part can be customized through the part editor. Insert additional row variables into the template using the same form as the first five, and add ROW n properties as needed to the list of properties.

The TABLE part allows the response to be defined by a table of one to five values. Each row contains an input and a corresponding output value. Linear interpolation is performed between entries.

For values outside the table's range, the device's output is a constant with a value equal to the entry with the smallest (or largest) input. This characteristic can be used to impose an upper and lower limit on the output. The TABLE part provides one input and one output.

FTABLE

ROW n	<p>either an (input frequency, magnitude, phase) triplet, or an (input frequency, real part, imaginary part) triplet describing a complex value; by default, up to five triplets are allowed where $n=1, 2, 3, 4,$ or 5</p> <p>If more than five values are required, the part can be customized through the part editor. Insert additional row variables into the template using the same form as the first five, and add ROWn properties as needed to the list of properties.</p>
DELAY	<p>group delay increment; defaults to 0 if left blank</p>
R_I	<p>table type; if left blank, the frequency table is interpreted in the (input frequency, magnitude, phase) format; if defined with any value (such as YES), the table is interpreted in the (input frequency, real part, imaginary part) format</p>
MAGUNITS	<p>units for magnitude where the value can be DB (decibels) or MAG (raw magnitude); defaults to DB if left blank</p>
PHASEUNITS	<p>units for phase where the value can be DEG (degrees) or RAD (radians); defaults to DEG if left blank</p>

The FTABLE part is described by a table of frequency responses in either the magnitude/phase domain (R_I=) or complex number domain (R_I=YES). The entire table is read in and converted to magnitude in dB and phase in degrees.

Interpolation is performed between entries. Magnitude is interpolated logarithmically; phase is interpolated linearly. For frequencies outside the table's range, 0 (zero) magnitude is used. This characteristic can be used to impose an upper and lower limit on the output.

The DELAY property increases the group delay of the frequency table by the specified amount. The delay term is particularly useful when a frequency table device generates a non-causality warning message during a transient analysis. The warning message issues a delay value that can be assigned to the part's DELAY property for subsequent runs, without otherwise altering the table.

The output of the part depends on the analysis being done. For DC and bias point, the output is the zero frequency magnitude times the input voltage. For AC analysis, the input voltage is linearized around the bias point (similar to EVALUE and GVALUE parts, [Modeling mathematical or instantaneous relationships](#) on page 358). The output for each frequency is then the input times the gain, times the value of the table at that frequency.

For transient analysis, the voltage is evaluated at each time point. The output is then the convolution of the past values with the impulse response of the frequency response. These rules follow the standard method of using Fourier transforms. We recommend looking at one or more of the references cited in [Frequency-domain device models](#) on page 364 for more information.

Note: The table's frequencies must be in order from lowest to highest. The TABLE part provides one input and one output.

Example

A device, ELOFILT, is used as a frequency filter. The input to the frequency response is the voltage at net 10. The output is a voltage across nets 5 and 0. The table describes a low pass filter with a response of 1 (0 dB) for frequencies below 5 kilohertz and a response of 0.001 (-60 dB) for frequencies above 6 kilohertz. The phase lags linearly with frequency. This is the same as a constant time delay. The delay is necessary so that the impulse response is causal. That is, so that the impulse response does not have any significant

PSpice User Guide

Analog behavioral modeling

components before time zero. The FTABLE part in Figure 6-5 could be used.

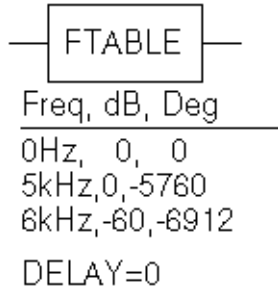


Figure 6-5 FTABLE part

This part is characterized by the following properties:

```
ROW1 = 0Hz 0 0
ROW2 = 5kHz 0 -5760
ROW3 = 6kHz -60 -6912
DELAY =
R_I =
MAGUNITS =
PHASEUNITS =
```

Since R_I, MAGUNITS, and PHASEUNITS are undefined, each table entry is interpreted as containing frequency, magnitude value in dB, and phase values in degrees. Delay defaults to 0.

This produces a PSpice netlist declaration like this:

```
ELOFILT 5 0 FREQ {V(10)}
+0Hz 0 0
+5kHz 0 -5760
+6kHz -60 -6912
```

Since constant group delay is calculated from the values for a given table entry as:

$$\text{group delay} = \text{phase} / 360 / \text{frequency}$$

An equivalent FTABLE instance could be defined using the DELAY property. For this example, the group delay is 3.2 msec ($6912 / 360 / 6k = 5760 / 360 / 6k = 3.2m$). Equivalent property assignments are:

```
ROW1 = 0Hz 0 0
ROW2 = 5kHz 0 0
ROW3 = 6kHz -60 0
DELAY = 3.2ms
R_I =
MAGUNITS =
PHASEUNITS =
```

PSpice User Guide

Analog behavioral modeling

This produces a PSpice netlist declaration like this:

```
ELOFILT 5 0 FREQ {V(10)}  
+0Hz 0 0  
+5kHz 0 0  
+6kHz -60 0  
+DELAY=3.2ms
```

Laplace transform part

The LAPLACE part specifies a Laplace transform which is used to determine an output for each input value.

LAPLACE

NUM	numerator of the Laplace expression
DENOM	denominator of the Laplace expression

The LAPLACE part uses a Laplace transform description. The input to the transform is a voltage. The numerator and denominator of the Laplace transform function are specified as properties for the part.

Note: Voltages, currents, and TIME may not appear in a Laplace transform specification.

The output of the part depends on the type of analysis being done. For DC and bias point, the output is the zero frequency gain times the value of the input. The zero frequency gain is the value of the Laplace transform with $s=0$. For AC analysis, the output is then the input times the gain times the value of the Laplace transform. The value of the Laplace transform at a frequency is calculated by substituting $j\cdot\omega$ for s , where ω is $2\pi\cdot$ frequency. For transient analysis, the output is the convolution of the input waveform with the impulse response of the transform. These rules follow the standard method of using Laplace transforms.

Example one

The input to the Laplace transform is the voltage at net 10. The output is a voltage and is applied between nets 5 and 0. For DC, the output is simply equal to the input, since the gain at $s=0$ is 1. The transform, $1/(1+.001\cdot s)$, describes a simple, lossy integrator with a time constant of 1 millisecond. This can be implemented with an RC pair that has a time constant of 1 millisecond.

For AC analysis, the gain is found by substituting $j\cdot\omega$ for s . This gives a flat response out to a corner frequency of $1000/(2\pi) = 159$ hertz and

a roll-off of 6 dB per octave after 159 Hz. There is also a phase shift centered around 159 Hz. In other words, the gain has both a real and an imaginary component. For transient analysis, the output is the convolution of the input waveform with the impulse response of $1/(1+.001 \cdot s)$. The impulse response is a decaying exponential with a time constant of 1 millisecond. This means that the output is the “lossy integral” of the input, where the loss has a time constant of 1 millisecond. The LAPLACE part shown in Figure 6-6 could be used for this purpose.

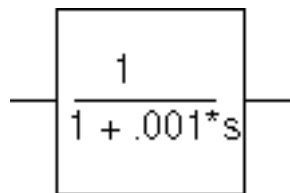
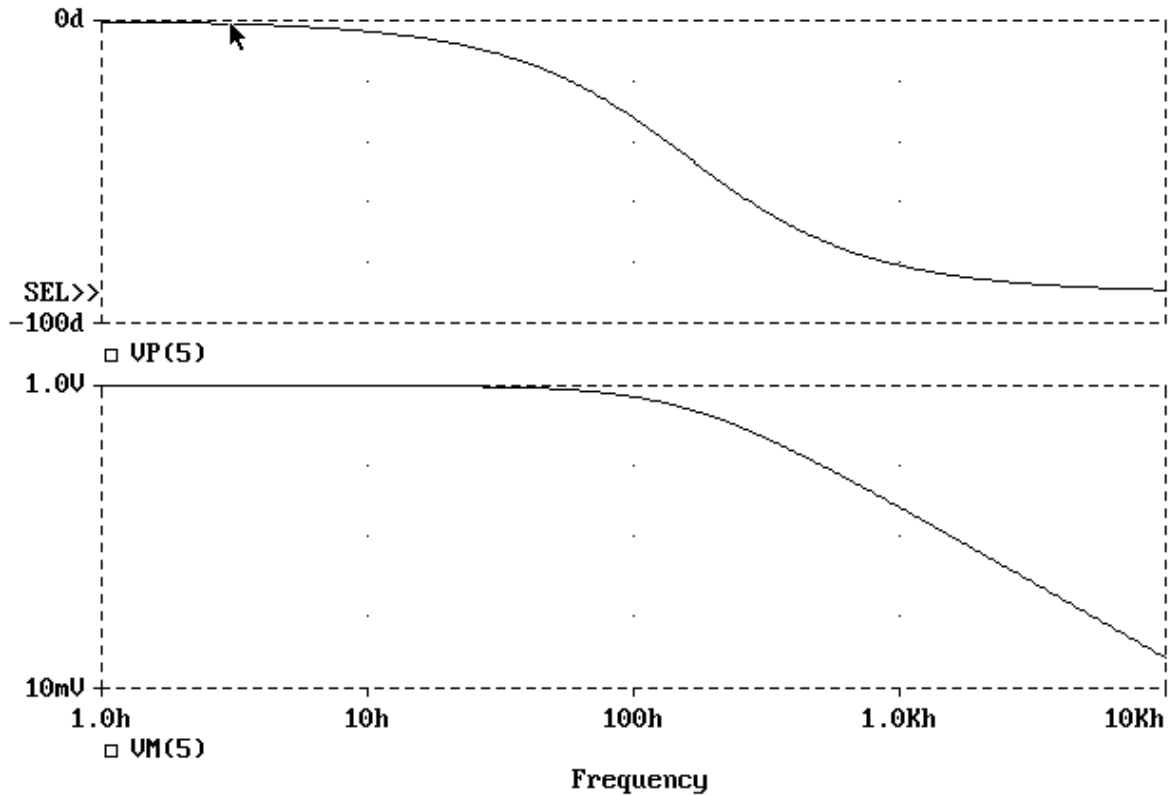


Figure 6-6 LAPLACE part

The transfer function is the Laplace transform ($1/[1+.001 \cdot s]$). This LAPLACE part is characterized by the following properties:

$$\begin{aligned} \text{NUM} &= 1 \\ \text{DENOM} &= 1 + .001 \cdot s \end{aligned}$$

The gain and phase characteristics are shown in Figure 6-7.



Exit **Add_trace** Remove_trace X_axis Y_axis Plot_control Display_control
Macros Hard_copy Cursor Zoom Label config_colors Goal_functions

Figure 6-7 Viewing gain and phase characteristics of a lossy integrator.

This produces a PSpice netlist declaration like this:

```
ERC      5 0 LAPLACE {V(10)} = {1/(1+.001*s)}
```

Example two

The input is V(10). The output is a current applied between nets 5 and 0. The Laplace transform describes a lossy transmission line. R, L, and C are the resistance, inductance, and capacitance of the line per unit length.

If R is small, the characteristic impedance of such a line is $Z = ((R + j \cdot \omega L)/(j \cdot \omega C))^{1/2}$, the delay per unit length is $(L C)^{1/2}$, and the

loss in dB per unit length is $23 \cdot R/Z$. This could be represented by the device in Figure 6-8.

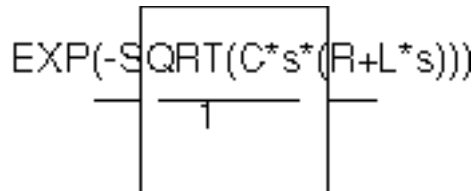


Figure 6-8 LAPLACE part

The parameters R, L, and C can be defined in a .PARAM statement contained in a model file. (Refer to the online *PSpice Reference Guide* for more information about using .PARAM statements.) More useful, however, is for R, L, and C to be arguments passed into a subcircuit. This part has the following characteristics:

```
NUM = EXP(-SQRT(C*s*(R+L*s)))  
DENOM = 1
```

This produces a PSpice netlist declaration like this:

```
GLOSSY 5 0 LAPLACE {V(10)} = {exp(-sqrt(C*s*(R + L*s)))}
```

The Laplace transform parts are, however, an inefficient way, in both computer time and memory, to implement a delay. For ideal delays we recommend using the transmission line part instead.

Math functions

The ABM math function parts are shown in Table 6-2. Math function parts are based on the PSpice “E” device type. Each provides one or more inputs, and a mathematical function which is applied to the input. The result is output on the output net.

Table 6-2 ABM math function parts

For this device...	Output is the...
ABS	absolute value of the input
SQRT	square root of the input
PWR	result of raising the absolute value of the input to the power specified by EXP
PWRS	result of raising the (signed) input value to the power specified by EXP
LOG	LOG of the input
LOG10	LOG ₁₀ of the input
EXP	result of e raised to the power specified by the input value (e^x where x is the input)
SIN	\sin of the input (where the input is in radians)
COS	\cos of the input (where the input is in radians)
TAN	\tan of the input (where the input is in radians)
ATAN, ARCTAN	\tan^{-1} of the input (where the output is in radians)

Note: Since Berkeley SPICE did not handle math functions, different SPICE implementations use different conventions for signed and unsigned power functions.

ABM expression parts

The expression parts are shown in Table 6-3. These parts can be customized to perform a variety of functions depending on your requirements. Each of these parts has a set of four expression *building block* properties of the form:

EXP n

where $n = 1, 2, 3,$ or $4.$

During netlist generation, the complete expression is formed by concatenating the building block expressions in numeric order, thus defining the transfer function. Hence, the first expression fragment should be assigned to the EXP1 property, the second fragment to EXP2, and so on.

Expression properties can be defined using a combination of arithmetic operators and input designators. You may use any of the standard PSpice arithmetic operators (see Table 3-3 on page 164) within an expression statement. You may also use the EXP n properties as variables to represent nets or constants.

Table 6-3 ABM expression parts

Part	Inputs	Output
ABM	none	V
ABM1	1	V
ABM2	2	V
ABM3	3	V
ABM/I	none	I
ABM1/I	1	I
ABM2/I	2	I
ABM3/I	3	I

The following examples illustrate a variety of ABM expression part applications.

Example one

Suppose you want to set an output voltage on net 4 to 5 volts times the square root of the voltage between nets 3 and 2. You could use an ABM2 part (which takes two inputs and provides a voltage output) to define a part like the one shown in Figure 6-9.

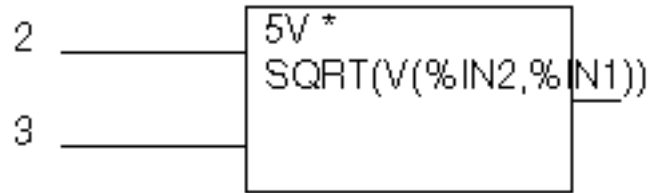


Figure 6-9 ABM expression part example one.

In this example of an ABM device, the output voltage is set to 5 volts times the square root of the voltage between net 3 and net 2. The property settings for this part are as follows:

```
EXP1 = 5V *  
EXP2 = SQRT(V(%IN2,%IN1))
```

This will produce a PSpice netlist declaration like this:

```
ESQROOT 4 0 VALUE = {5V*SQRT(V(3,2))}
```

Example two

GPSK is an oscillator for a PSK (Phase Shift Keyed) modulator. Current is pumped from net 11 through the source to net 6. Its value is a sine wave with an amplitude of 15 mA and a frequency of 10 kHz. The voltage at net 3 can shift the phase of GPSK by 1 radian/volt. Note the use of the TIME parameter in the EXP2 expression. This is the PSpice A/D internal sweep variable used in transient analysis. For any analysis other than transient, TIME = 0. This could be represented with an ABM1/I part (single input, current output) like the one shown in Figure 6-10.

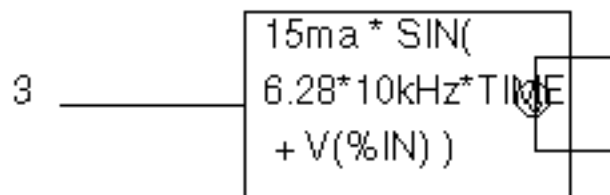


Figure 6-10 ABM expression part example two.

This part is characterized by the following properties:

```
EXP1 = 15ma * SIN(  
EXP2 = 6.28*10kHz*TIME  
EXP3 = + V(%IN) )
```

This produces a PSpice netlist declaration like this:

```
GPSK 11 6 VALUE = {15MA*SIN(6.28*10kHz*TIME+V(3))}
```

Example three

A device, EPWR, computes the instantaneous power by multiplying the voltage across nets 5 and 4 by the current through VSENSE. Sources are controlled by expressions which may contain voltages or currents or both. The ABM2 part (two inputs, voltage output) in [Figure 6-11](#) could represent this.

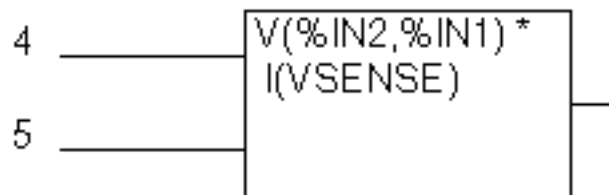


Figure 6-11 ABM expression part example three.

This part is characterized by the following properties:

```
EXP1 = V(%IN2,%IN1) *  
EXP2 = I(VSENSE)
```

This produces a PSpice netlist declaration like this:

```
EPWR 3 0 VALUE = {V(5,4)*I(VSENSE)}
```

Example four

The output of a component, GRATIO, is a current whose value (in amps) is equal to the ratio of the voltages at nets 13 and 2. If $V(2) = 0$, the output depends upon $V(13)$ as follows:

```
if V(13) = 0, output = 0  
if V(13) > 0, output = MAXREAL  
if V(13) < 0, output = -MAXREAL
```

where MAXREAL is a PSpice internal constant representing a very large number (on the order of $1e30$). In general, the result of evaluating an expression is limited to MAXREAL. This is modeled with an ABM2/I (two input, current output) part like this one in [6-12](#).

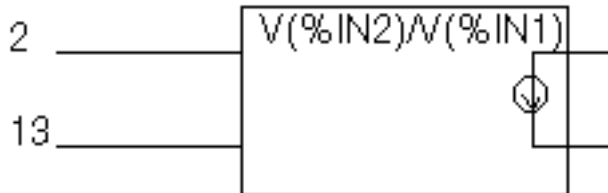


Figure 6-12 ABM expression part example four.

This part is characterized by the following properties:

$$\text{EXP1} = V(\%IN2) / V(\%IN1)$$

Note that output of GRATIO can be used as part of the controlling function. This produces a PSpice netlist declaration like this:

```
GRATIO 2 3 VALUE = {V(13)/V(2)}
```

Note: Letting a current approach $\pm 1e30$ will almost certainly cause convergence problems. To avoid this, use the limit function on the ratio to keep the current within reasonable limits.

An instantaneous device example: modeling a triode

This section provides an example of using various ABM parts to model a triode vacuum tube. The schematic of the triode subcircuit is shown in Figure 6-13.

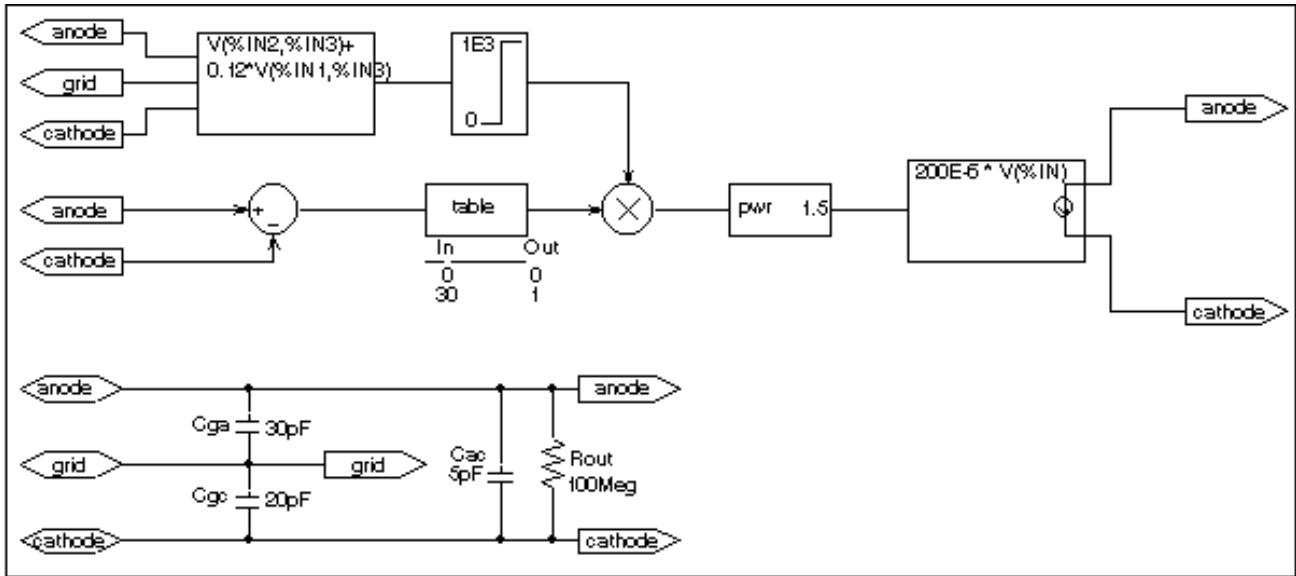


Figure 6-13 Triode circuit.

Assumptions: In its main operating region, the triode's current is proportional to the 3/2 power of a linear combination of the grid and anode voltages:

$$i_{\text{anode}} = k_0 * (v_g + k_1 * v_a)^{1.5}$$

For a typical triode, $k_0 = 200\text{e-}6$ and $k_1 = 0.12$.

Looking at the upper left-hand portion of the schematic, notice the a general-purpose ABM part used to take the input voltages from anode, grid, and cathode. Assume the following associations:

- V(anode) is associated with V(%IN1)
- V(grid) is associated with V(%IN2)
- V(cathode) is associated with V(%IN3)

The expression property EXP1 then represents V(grid, cathode) and the expression property EXP2 represents $0.12[V(\text{anode, cathode})]$.

PSpice User Guide

Analog behavioral modeling

When the template substitution is performed, the resulting VALUE is equivalent to the following:

$$V = V(\text{grid, cathode}) + 0.12 * V(\text{anode, cathode})$$

The part would be defined with the following characteristics:

```
EXP1 = V(%IN2,%IN3) +
EXP2 = 0.12 * V(%IN1,%IN3)
```

This works for the main operating region but does not model the case in which the current stays 0 when combined grid and anode voltages go negative. We can accommodate that situation as follows by adding the LIMIT part with the following characteristics:

```
HI = 1E3
LO = 0
```

This part instance, LIMIT1, converts all negative values of $v_g + 0.12 * v_a$ to 0 and leaves all positive values (up to 1 kV) alone. For a more realistic model, we could have used TABLE to correctly model how the tube turns off at 0 or at small negative grid voltages.

We also need to make sure that the current becomes zero when the anode alone goes negative. To do this, we can use a DIFF device, (immediately below the ABM3 device) to monitor the difference between $V(\text{anode})$ and $V(\text{cathode})$, and output the difference to the TABLE part. The table translates all values at or below zero to zero, and all values greater than or equal to 30 to one. All values between 0 and 30 are linearly interpolated. The properties for the TABLE part are as follows:

```
ROW1 = 0 0
ROW2 = 30 1
```

The TABLE part is a simple one, and ensures that only a zero value is output to the multiplier for negative anode voltages.

The output from the TABLE part and the LIMIT part are combined at the MULT multiplier part. The output of the MULT part is the product of the two input voltages. This value is then raised to the 3/2 or 1.5 power using the PWR part. The exponential property of the PWR part is defined as follows:

```
EXP = 1.5
```

The last major component is an ABM expression component to take an input voltage and convert it into a current. The relevant ABM1/I part property looks like this:

PSpice User Guide

Analog behavioral modeling

EXP1 = 200E-6 * V(%IN)

A final step in the model is to add device parasitics. For example, a resistor can be used to give a finite output impedance. Capacitances between the grid, cathode, and anode are also needed. The lower part of the schematic in Figure 6-13 shows a possible method for incorporating these effects. To complete the example, one could add a circuit which produces the family of I-V curves (shown in Figure 6-14).

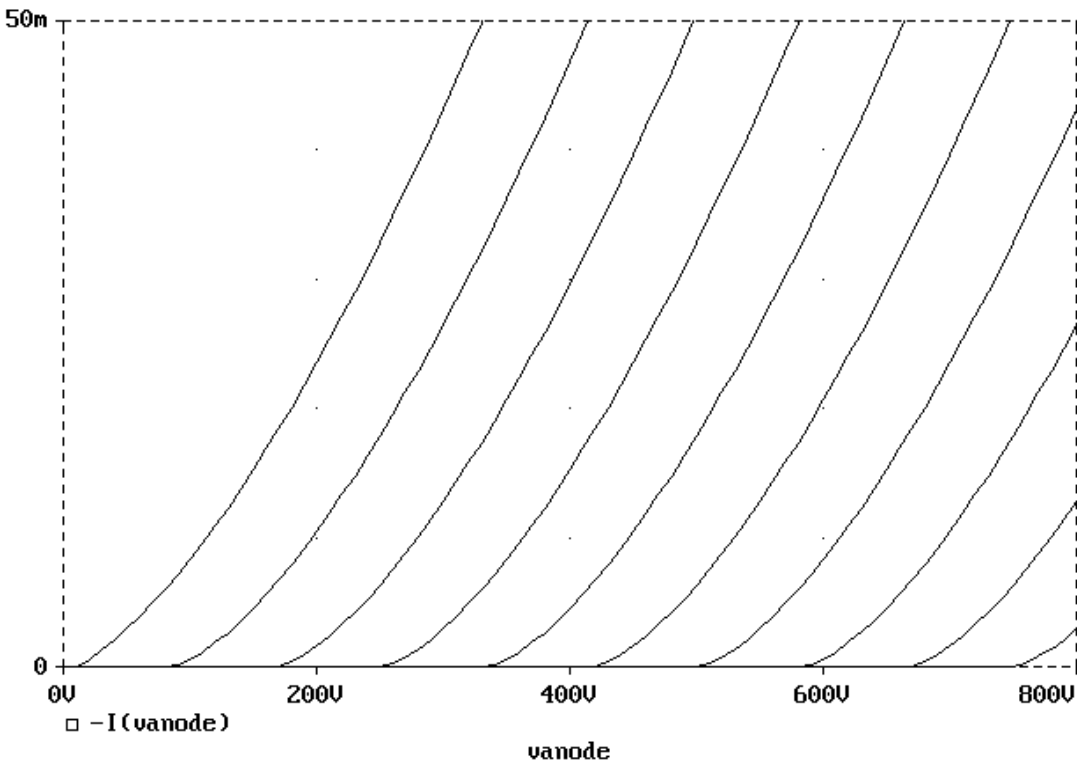


Figure 6-14 Triode subcircuit producing a family of I-V curves.

PSpice-equivalent parts

PSpice-equivalent parts respond to a differential input and have double-ended output. These parts reflect the structure of PSpice E and G devices, thus having two pins for each controlling input and the output in the part. Table 6-4 summarizes the PSpice-equivalent parts available in the part library.

Table 6-4 PSpice-equivalent parts

Category	Part	Description	Properties
Mathematical expression	EVALUE	general purpose	EXPR
	GVALUE		
	ESUM	special purpose	(none)
	GSUM		
	EMULT		
	GMULT		
Table look-up	ETABLE	general purpose	EXPR
	GTABLE		TABLE
Frequency table look-up	EFREQ	general purpose	EXPR
	GFREQ		TABLE
Laplace transform	ELAPLACE	general purpose	EXPR
	GLAPLACE		XFORM

PSpice-equivalent ABM parts can be classified as either E or G device types. The E part type provides a voltage output, and the G device type provides a current output.

The device's transfer function can contain any mixture of voltages and currents as inputs. Hence, there is no longer a division between voltage-controlled and current-controlled parts. Rather the part type is dictated only by the output requirements. If a voltage output is required, use an E part type. If a current output is necessary, use a G part type.

Note: There are no equivalent “F” or “H” part types in the part library because PSpice “F” and “H” devices do not support the ABM extensions.

Each E or G part type in the `ABM.OLB` part file is defined by a template that provides the specifics of the transfer function. Other properties in the model definition can be edited to customize the transfer function. By default, the template cannot be modified directly choosing Properties from the Edit menu in Capture. Rather, the values for other properties (such as the expressions used in the template) are usually edited, then these values are substituted into the template. However, the part editor can be used to modify the template or designate the template as modifiable from within Capture. This way, custom parts can be created for special-purpose application.

Implementation of PSpice-equivalent parts

Although you generally use Capture to place and specify PSpice-equivalent ABM parts, it is useful to know the PSpice command syntax for “E” and “G” devices. This is especially true when creating custom ABM parts since part templates must adhere to PSpice syntax.

The general forms for PSpice “E” and “G” extensions are:

```
E <name> <connecting nodes> <ABM keyword> <ABM function>
G <name> <connecting nodes> <ABM keyword> <ABM function>
```

where

<i><name></i>	is the device name appended to the E or G device type character
<i><connecting nodes></i>	specifies the <i><(+ node name, - node name)></i> pair between which the device is connected

PSpice User Guide

Analog behavioral modeling

<ABM keyword> specifies the form of the transfer function to be used, as one of:

VALUE	arithmetic expression
TABLE	lookup table
LAPLACE	Laplace transform
FREQ	frequency response table
CHEBYSHEV	Chebyshev filter characteristics

<ABM function> specifies the transfer function as a formula or lookup table as required by the specified *<ABM keyword>*

Refer to the online *PSpice Reference Guide* for detailed information.

Modeling mathematical or instantaneous relationships

The instantaneous models (using VALUE and TABLE extensions to PSpice “E” and “G” devices in the part templates) enforce a direct response to the input at each moment in time. For example, the output might be equal to the square root of the input at every point in time. Such a device has no memory, or, a flat frequency response. These techniques can be used to model both linear and nonlinear responses.

Note: For AC analysis, a nonlinear device is first linearized around the bias point, and then the linear equivalent is used.

EVALUE and GVALUE parts

The EVALUE and GVALUE parts allow an instantaneous transfer function to be written as a mathematical expression in standard notation. These parts take the input signal, perform the function specified by the EXPR property on the signal, and output the result on the output pins.

In controlled sources, EXPR may contain constants and parameters as well as voltages, currents, or time. Voltages may be either the voltage at a net, such as V(5), or the voltage across two nets, such as V(4,5). Currents must be the current through a voltage source (V

device), for example, I(VSENSE). Voltage sources with a value of 0 are handy for sensing current for use in these expressions.

Functions may be used in expressions, along with arithmetic operators (+, -, *, and /) and parentheses. Available built-in functions are summarized in [Table 3-4](#) on page 164.

The EVALUE and GVALUE parts are defined, in part, by the following properties (default values are shown):

EVALUE

EXPR V(%IN+, %IN-)

GVALUE

EXPR V(%IN+, %IN-)

Sources are controlled by expressions which may contain voltages, currents, or both. The following examples illustrate customized EVALUE and GVALUE parts.

Example 1

In the example of an EVALUE device shown in Figure 6-15, the output voltage is set to 5 volts times the square root of the voltage between pins %IN+ and %IN-.

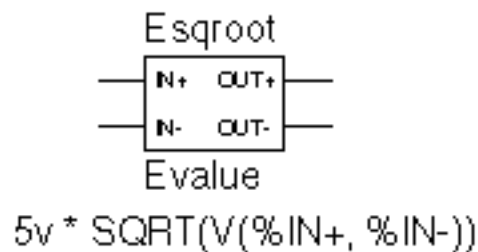


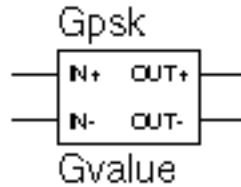
Figure 6-15 EVALUE part example.

The property settings for this device are as follows:

EXPR = 5v * SQRT(V(%IN+, %IN-))

Example 2

Consider the device in Figure 6-16. This device could be used as an oscillator for a PSK (Phase Shift Keyed) modulator.



`15ma*SIN(6.28*10kHz*TIME+V(%IN+, %IN-))`

Figure 6-16 GVALUE part example.

A current through a source is a sine wave with an amplitude of 15 mA and a frequency of 10 kHz. The voltage at the input pin can shift the phase by 1 radian/volt. Note the use of the TIME parameter in this expression. This is the PSpice internal sweep variable used in transient analyses. For any analysis other than transient, TIME = 0. The relevant property settings for this device are shown below:

`EXPR = 15ma*SIN(6.28*10kHz*TIME+V(%IN+, %IN-))`

EMULT, GMULT, ESUM, and GSUM

The EMULT and GMULT parts provide output which is based on the product of two input sources. The ESUM and GSUM parts provide output which is based on the sum of two input sources. The complete transfer function may also include other mathematical expressions.

Example 1

Consider the device in Figure 6-17. This device computes the instantaneous power through resistor VSENSE by multiplying the

current through VSENSE (converted to voltage by H1) by the voltage across VSENSE.

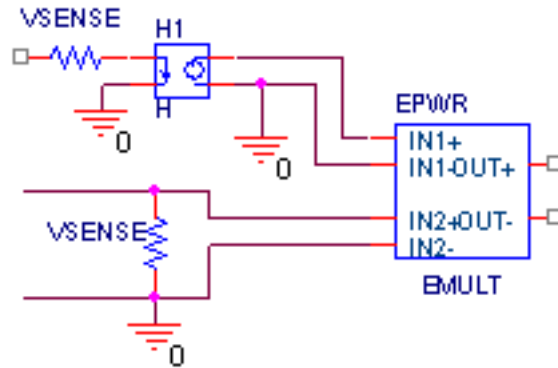


Figure 6-17 EMULT part example.

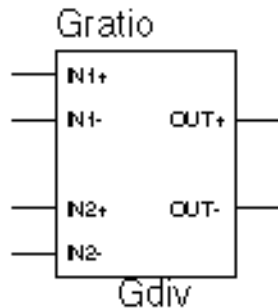
This device's behavior is built-in to the PSPICETEMPLATE property as follows (appears on one line):

```
TEMPLATE=E^@REFDES %OUT+ %OUT- VALUE {V(%IN1+,%IN1-)  
*V(%IN2+,%IN2-)}
```

You can use the part editor to change the characteristics of the template to accommodate additional mathematical functions, or to change the nature of the transfer function itself. For example, you may want to create a voltage divider, rather than a multiplier. This is illustrated in the following example.

Example 2

Consider the device in Figure 6-18.



```
G^@REFDES %OUT+ %OUT- VALUE {V(%IN1+,%IN1-)/V(%IN2+,%IN2-)}
```

Figure 6-18 GMULT part example.

With this device, the output is a current is equal to the ratio of the voltages at input pins 1 and input pins 2. If $V(\%IN2+, \%IN2-) = 0$, the output depends upon $V(\%IN1+, \%IN1-)$ as follows:

if $V(\%IN1+, \%IN1-) = 0$, output = 0
if $V(\%IN1+, \%IN1-) > 0$, output = MAXREAL
if $V(\%IN1+, \%IN1-) < 0$, output = -MAXREAL

where MAXREAL is a PSpice internal constant representing a very large number (on the order of $1e30$). In general, the result of evaluating an expression is limited to MAXREAL. Note that the output of the part can also be used as part of the controlling function.

To create this device, you would first make a new part, GDIV, based on the GMULT part. Edit the GDIV template to divide the two input values rather than multiply them.

Lookup tables (ETABLE and GTABLE)

The ETABLE and GTABLE parts use a transfer function described by a table. These device models are well suited for use with measured data.

The ETABLE and GTABLE parts are defined in part by the following properties (default values are shown):

PSpice User Guide

Analog behavioral modeling

ETABLE

TABLE	(-15, -15), (15,15)
EXPR	V(%IN+, %IN-)

GTABLE

TABLE	(-15, -15), (15,15)
EXPR	V(%IN+, %IN-)

First, EXPR is evaluated, and that value is used to look up an entry in the table. EXPR is a function of the input (current or voltage) and follows the same rules as for VALUE expressions.

The table consists of pairs of values, the first of which is an input, and the second of which is the corresponding output. Linear interpolation is performed between entries. For values of EXPR outside the table's range, the device's output is a constant with a value equal to the entry with the smallest (or largest) input. This characteristic can be used to impose an upper and lower limit on the output.

An example of a table declaration (using the TABLE property) would be the following:

```
TABLE =
+ (0, 0) (.02, 2.690E-03) (.04, 4.102E-03) (.06, 4.621E-03)
+ (.08, 4.460E-03) (.10, 3.860E-03) (.12, 3.079E-03) (.14,
+ 2.327E-03)
+ (.16, 1.726E-03) (.18, 1.308E-03) (.20, 1.042E-03) (.22,
+ 8.734E-04)
+ (.24, 7.544E-04) (.26, 6.566E-04) (.28, 5.718E-04) (.30,
+ 5.013E-04)
+ (.32, 4.464E-04) (.34, 4.053E-04) (.36, 3.781E-04) (.38,
+ 3.744E-04)
+ (.40, 4.127E-04) (.42, 5.053E-04) (.44, 6.380E-04) (.46,
+ 7.935E-04)
+ (.48, 1.139E-03) (.50, 2.605E-03) (.52, 8.259E-03) (.54,
+ 2.609E-02)
+ (.56, 7.418E-02) (.58, 1.895E-01) (.60, 4.426E-01)
```

Frequency-domain device models

Frequency-domain models (ELAPLACE, GLAPLACE, EFREQ, and GFREQ) are characterized by output that depends on the current input as well as the input history. The relationship is therefore non-instantaneous. For example, the output may be equal to the integral of the input over time. In other words, the response depends upon frequency.

During AC analysis, the frequency response determines the complex gain at each frequency. During DC analysis and bias point calculation, the gain is the zero-frequency response. During transient analysis, the output of the device is the convolution of the input and the impulse response of the device.

Moving back and forth between the time and frequency-domains can cause surprising results. Often the results are quite different than what one would intuitively expect. For this reason, we strongly recommend familiarity with a reference on Fourier and Laplace transforms. A good one is:

- R. Bracewell, *The Fourier Transform and Its Applications*, McGraw-Hill, Revised Second Edition (1986)

We also recommend familiarity with the use of transforms in analyzing linear systems. Some references on this subject:

- W. H. Chen, *The Analysis of Linear Systems*, McGraw-Hill (1962)
- J. A. Aseltine, *Transform Method in Linear System Analysis*, McGraw-Hill (1958)

Laplace transforms (LAPLACE)

The ELAPLACE and GLAPLACE parts allow a transfer function to be described by a Laplace transform function. The ELAPLACE and GLAPLACE parts are defined, in part, by the following properties (default values are shown):

ELAPLACE

EXPR	V(%IN+, %IN-)
XFORM	1/s

PSpice User Guide

Analog behavioral modeling

GLAPLACE

EXPR	V(%IN+, %IN-)
XFORM	1/s

The LAPLACE parts use a Laplace transform description. The input to the transform is the value of EXPR, where EXPR follows the same rules as for VALUE expressions (see [EVALUE](#) and [GVALUE](#) parts on page 358). XFORM is an expression in the Laplace variable, s. It follows the rules for standard expressions as described for VALUE expressions with the addition of the s variable.

Note: Voltages, currents, and TIME cannot appear in a Laplace transform.

The output of the device depends on the type of analysis being done. For DC and bias point, the output is simply the zero frequency gain times the value of EXPR. The zero frequency gain is the value of XFORM with $s = 0$. For AC analysis, EXPR is linearized around the bias point (similar to the VALUE parts). The output is then the input times the gain of EXPR times the value of XFORM. The value of XFORM at a frequency is calculated by substituting $j \cdot \omega$ for s, where ω is 2 π -frequency. For transient analysis, the value of EXPR is evaluated at each time point. The output is then the convolution of the past values of EXPR with the impulse response of XFORM. These rules follow the standard method of using Laplace transforms. We recommend looking at one or more of the references cited in [Frequency-domain device models](#) on page 364 for more information.

Example

The input to the Laplace transform is the voltage across the input pins, or V(%IN+, %IN-). The EXPR property may be edited to include constants or functions, as with other parts. The transform, $1/(1+.001 \cdot s)$, describes a simple, lossy integrator with a time constant of 1 millisecond. This can be implemented with an RC pair that has a time constant of 1 millisecond.

Using the part editor, you would define the XFORM and EXPR properties as follows:

```
XFORM = 1 / (1+.001*s)
EXPR = V(%IN+, %IN-)
```

The default template remains (appears on one line):

PSpice User Guide

Analog behavioral modeling

```
TEMPLATE= E^@REFDES %OUT+ %OUT- LAPLACE {@EXPR}= (@XFORM)
```

After netlist substitution of the template, the resulting transfer function would become:

```
V(%OUT+, %OUT-) = LAPLACE {V(%IN+, %IN-)}= (1/(1+.001*s))
```

The output is a voltage and is applied between pins %OUT+ and %OUT-. For DC, the output is simply equal to the input, since the gain at $s = 0$ is 1.

For AC analysis, the gain is found by substituting $j\omega$ for s . This gives a flat response out to a corner frequency of $1000/(2\pi) = 159$ Hz and a roll-off of 6 dB per octave after 159 Hz. There is also a phase shift centered around 159 Hz. In other words, the gain has both a real and an imaginary component. The gain and phase characteristic is the same as that shown for the equivalent control system part example using the LAPLACE part (see [Figure 6-7](#) on page 346).

For transient analysis, the output is the convolution of the input waveform with the impulse response of $1/(1+.001\cdot s)$. The impulse response is a decaying exponential with a time constant of 1 millisecond. This means that the output is the “lossy integral” of the input, where the loss has a time constant of 1 millisecond.

This will produce a PSpice A/D netlist declaration similar to:

```
ERC 5 0 LAPLACE {V(10)} = {1/(1+.001*s)}
```

Frequency response tables (EFREQ and GFREQ)

The EFREQ and GFREQ parts are described by a table of frequency responses in either the magnitude/phase domain or complex number domain. The entire table is read in and converted to magnitude in dB and phase in degrees. Interpolation is performed between entries. Phase is interpolated linearly; magnitude is interpolated logarithmically. For frequencies outside the table’s range, 0 (zero) magnitude is used.

PSpice User Guide

Analog behavioral modeling

EFREQ and GFREQ properties are defined as follows:

EXPR	value used for table lookup; defaults to V(%IN+, %IN-) if left blank.
TABLE	series of either (input frequency, magnitude, phase) triplets, or (input frequency, real part, imaginary part) triplets describing a complex value; defaults to (0,0,0) (1Meg,-10,90) if left blank.
DELAY	group delay increment; defaults to 0 if left blank.
R_I	table type; if left blank, the frequency table is interpreted in the (input frequency, magnitude, phase) format; if defined with any value (such as YES), the table is interpreted in the (input frequency, real part, imaginary part) format.
MAGUNITS	units for magnitude where the value can be DB (decibels) or MAG (raw magnitude); defaults to DB if left blank.
PHASEUNITS	units for phase where the value can be DEG (degrees) or RAD (radians); defaults to DEG if left blank.

The DELAY property increases the group delay of the frequency table by the specified amount. The delay term is particularly useful when an EFREQ or GFREQ device generates a non-causality warning message during a transient analysis. The warning message issues a delay value that can be assigned to the part's DELAY property for subsequent runs, without otherwise altering the table.

The output of the device depends on the analysis being done. For DC and bias point, the output is simply the zero frequency magnitude times the value of EXPR. For AC analysis, EXPR is linearized around the bias point (similar to EVALUE and GVALUE parts). The output for each frequency is then the input times the gain of EXPR times the value of the table at that frequency. For transient analysis, the value of EXPR is evaluated at each time point. The output is then the

convolution of the past values of `EXPR` with the impulse response of the frequency response. These rules follow the standard method of using Fourier transforms. We recommend looking at one or more of the references cited in [Frequency-domain device models](#) on page 364 for more information.

Note: The table's frequencies must be in order from lowest to highest.

Figure 6-19 shows an `EFREQ` device used as a low pass filter.

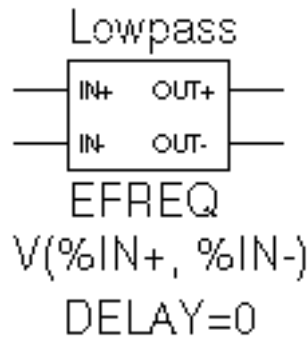


Figure 6-19 EFREQ part example.

The input to the frequency response is the voltage across the input pins. The table describes a low pass filter with a response of 1 (0 dB) for frequencies below 5 kilohertz and a response of .001 (-60 dB) for frequencies above 6 kilohertz. The output is a voltage across the output pins.

This part is defined by the following properties:

```
TABLE = (0, 0, 0) (5kHz, 0, -5760) (6kHz, -60, -6912)
DELAY =
R_I =
MAGUNITS =
PHASEUNITS =
```

Since `R_I`, `MAGUNITS`, and `PHASEUNITS` are undefined, each table entry is interpreted as containing frequency, magnitude value in dB, and phase values in degrees. Delay defaults to 0.

The phase lags linearly with frequency meaning that this table exhibits a constant time (group) delay. The delay is necessary so that the impulse response is causal. That is, so that the impulse response does not have any significant components before time zero.

The constant group delay is calculated from the values for a given table entry as follows:

$$\text{group delay} = \text{phase} / 360 / \text{frequency}$$

For this example, the group delay is 3.2 msec (6912 / 360 / 6k = 5760 / 360 / 6k = 3.2m). An alternative specification for this table could be:

```
TABLE = (0, 0, 0) (5kHz, 0, 0) (6kHz, -60, 0)
DELAY = 3.2ms
R_I =
MAGUNITS =
PHASEUNITS =
```

This produces a PSpice netlist declaration like this:

```
ELOWPASS 5 0 FREQ {V(10)} = (0,0,0) (5kHz,0,0) (6kHz-60,0)
+ DELAY = 3.2ms
```

Cautions and recommendations for simulation and analysis

Instantaneous device modeling

During AC analysis, nonlinear transfer functions are handled the same way as other nonlinear parts: each function is linearized around the bias point and the resulting small-signal equivalent is used.

Consider the voltage multiplier (mixer) shown in Figure 6-20.

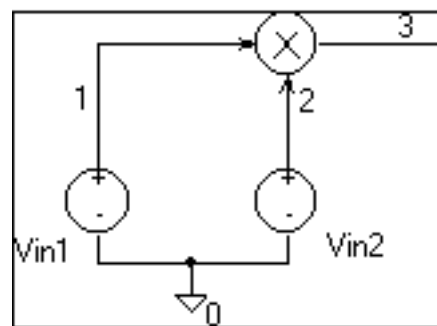


Figure 6-20 Voltage multiplier circuit (mixer).

This circuit has the following characteristics:

PSpice User Guide

Analog behavioral modeling

Vin1: DC=0v AC=1v
Vin2: DC=0v AC=1v

where the output on net 3 is $V(1)*V(2)$.

During AC analysis, $V(3) = 0$ due to the 0 volts bias point voltage on nets 1, 2, and 3. The small-signal equivalent therefore has 0 gain (the derivative of $V(1)*V(2)$ with respect to both $V(1)$ and $V(2)$ is 0 when $V(1)=V(2)=0$). So, the output of the mixer during AC analysis will be 0 regardless of the AC values of $V(1)$ and $V(2)$.

Another way of looking at this is that a mixer is a nonlinear device and AC analysis is a linear analysis. The output of the mixer has 0 amplitude at the fundamental. (Output is nonzero at DC and twice the input frequency, but these are not included in a linear analysis.)

If you need to analyze nonlinear functions, such as a mixer, use transient analysis. Transient analysis solves the full, nonlinear circuit equations. It also allows you to use input waveforms with different frequencies (for example, VIN1 could be 90 MHz and VIN2 could be 89.8 MHz). AC analysis does not have this flexibility, but in return it uses much less computer time.

Frequency-domain parts

Some caution is in order when moving between frequency and time domains. This section discusses several points that are involved in the implementation of frequency-domain parts. These discussions all involve the transient analysis, since both the DC and AC analyses are straightforward.

The first point is that there are limits on the maximum values and on the resolution of both time and frequency. These are related: the frequency resolution is the inverse of the maximum time and vice versa. The maximum time is the length of the transient analysis, TSTOP. Therefore, the frequency resolution is $1/TSTOP$.

Laplace transforms

For Laplace transforms, PSpice starts off with initial bounds on the frequency resolution and the maximum frequency determined by the transient analysis parameters as follows. The frequency resolution is

PSpice User Guide

Analog behavioral modeling

initially set below the theoretical limit to $(.25/TSTOP)$ and is then made as large as possible without inducing sampling errors. The maximum frequency has an initial upper bound of $(1/(RELTOL \cdot TMAX))$, where TMAX is the transient analysis Step Ceiling value, and RELTOL is the relative accuracy of all calculated voltages and currents. If a Step Ceiling value is not specified, PSpice uses the Transient Analysis Print Step, TSTEP, instead.

Note: TSTOP, TMAX, and TSTEP values are configured using Transient on the Setup menu. The RELTOL property is set using Options on the Setup menu.

PSpice then attempts to reduce the maximum frequency by searching for the frequency at which the response has fallen to RELTOL times the maximum response. For instance, for the transform:

$$1/(1+s)$$

the maximum response, 1.0, is at $s = j \cdot \omega = 0$ (DC). The cutoff frequency used when $RELTOL = .001$, is approximately $1000/(2\pi) = 159$ Hz. At 159 Hz, the response is down to .001 (down by 60 db). Since some transforms do not have such a limit, there is also a limit of $10/RELTOL$ times the frequency resolution, or $10/(RELTOL \cdot TSTOP)$. For example, consider the transform:

$$e^{-0.001 \cdot s}$$

This is an ideal delay of 1 millisecond and has no frequency cutoff. If $TSTOP = 10$ milliseconds and $RELTOL = .001$, then PSpice imposes a frequency cutoff of 10 MHz. Since the time resolution is the inverse of the maximum frequency, this is equivalent to saying that the delay cannot resolve changes in the input at a rate faster than .1 microseconds. In general, the time resolution will be limited to $RELTOL \cdot TSTOP/10$.

A final computational consideration for Laplace parts is that the impulse response is determined by means of an FFT on the Laplace expression. The FFT is limited to 8192 points to keep it tractable, and this places an additional limit on the maximum frequency, which may not be greater than 8192 times the frequency resolution.

If your circuit contains many Laplace parts which can be combined into a more complex single device, it is generally preferable to do this. This saves computation and memory since there are fewer impulse

responses. It also reduces the number of opportunities for numerical artifacts that might reduce the accuracy of your transient analyses.

Laplace transforms can contain poles in the left half-plane. Such poles will cause an impulse response that increases with time instead of decaying. Since the transient analysis is always for a finite time span, PSpice does not have a problem calculating the transient (or DC) response. However, such poles will make the actual device oscillate.

Non-causality and Laplace transforms

PSpice applies an inverse FFT to the Laplace expression to obtain an impulse response, and then convolves the impulse response with the dependent source input to obtain the output. Some common impulse responses are inherently non-causal. This means that the convolution must be applied to both past and future samples of the input in order to properly represent the inverse of the Laplace expression.

For example, the expression $\{S\}$ corresponds to differentiation in the time domain. The impulse response for $\{S\}$ is an impulse pair separated by an infinitesimal distance in time. The impulses have opposite signs, and are situated one in the infinitesimal past, the other in the infinitesimal future. In other words, convolution with this corresponds to applying a finite-divided difference in the time domain.

The problem with this for PSpice is that the simulator only has the present and past values of the simulated input, so it can only apply half of the impulse pair during convolution. This will obviously not result in time-domain differentiation. PSpice can detect, but not fix this condition, and issues a non-causality warning message when it occurs. The message tells what percentage of the impulse response is non-causal, and how much delay would need to be added to slide the non-causal part into a causal region. $\{S\}$ is theoretically 50% non-causal. Non-causality on the order of 1% or less is usually not critical to the simulation results.

You can delay $\{S\}$ to keep it causal, but the separation between the impulses is infinitesimal. This means that a very small time step is needed. For this reason, it is usually better to use a macromodel to implement differentiation.

Here are some guidelines:

- In the case of a Laplace device (ELAPLACE), multiply the Laplace expression by e to the $(-s * <the\ suggested\ delay>)$.
- In the case of a frequency table (EFREQ or GFREQ), do either of the following:
 - Specify the table with
`DELAY=<the suggested delay>`.
 - Compute the delay by adding a phase shift.

Chebyshev filters

All of the considerations given above for Laplace parts also apply to Chebyshev filter parts. However, PSpice A/D also attempts to deal directly with inaccuracies due to sampling by applying Nyquist criteria based on the highest filter cutoff frequency. This is done by checking the value of TMAX. If TMAX is not specified it is assigned a value, or if it is specified, it may be reduced.

For low pass and band pass filters, TMAX is set to $(0.5/FS)$, where FS is the stop band cutoff in the case of a low pass filter, or the upper stop band cutoff in the case of a band pass filter.

For high pass and band reject filters, there is no clear way to apply the Nyquist criterion directly, so an additional factor of two is thrown in as a safety margin. Thus, TMAX is set to $(0.25/FP)$, where FP is the pass band cutoff for the high pass case or the upper pass band cutoff for the band reject case. It may be necessary to set TMAX to something smaller if the filter input has significant frequency content above these limits.

Frequency tables

For frequency response tables, the maximum frequency is twice the highest value. It will be reduced to $10/(RELTOL \cdot TSTOP)$ or 8192 times the frequency resolution if either value is smaller.

The frequency resolution for frequency response tables is taken to be either the smallest frequency increment in the table or the fastest rate

of phase change, whichever is least. PSpice then checks to see if it can be loosened without inducing sampling errors.

Trading off computer resources for accuracy

There is a significant trade-off between accuracy and computation time for parts modeled in the frequency domain. The amount of computer time and memory scale approximately inversely to RELTOL. Therefore, if you can use RELTOL=.01 instead of the default .001, you will be ahead. However, this will not adversely affect the impulse response. You may also wish to vary TMAX and TSTOP, since these also come into play.

Since the trade-off issues are fairly complex, it is advisable to first simulate a small test circuit containing only the frequency-domain device, and then after proper validation, proceed to incorporate it in your larger design. The PSpice defaults will be appropriate most of the time if accuracy is your main concern, but it is still worth checking.

Note: Do not set RELTOL to a value above 0.05. This can seriously compromise the accuracy of your simulation.

Basic controlled sources

As with basic SPICE, PSpice has basic controlled sources derived from the standard SPICE E, F, G, and H devices. Table 6-5 summarizes the linear controlled source types provided in the standard part library.

Table 6-5 Basic controlled sources in ANALOG.OLB

Device type	Part name
Controlled Voltage Source (PSpice A/D E device)	E
Current-Controlled Current Source (PSpice A/D F device)	F
Controlled Current Source (PSpice A/D G device)	G
Current-Controlled Voltage Source (PSpice A/D H device)	H

Creating custom ABM parts

Create a custom part when you need a controlled source that is not provided in the special purpose set or that is more elaborate than you can build with the general purpose parts (with multiple controlling inputs, for example). Refer to your *OrCAD Capture User's Guide* for a description of how to create a custom part.

The transfer function can be built into the part two different ways:

- directly in the PSPICETEMPLATE definition.
- by defining the part's EXPR and related properties (if any).

The PSpice syntax for declaring E and G devices can help you form a PSPICETEMPLATE definition. Refer to the online *PSpice Reference Guide* for more information about E and G devices.

PSpice User Guide

Analog behavioral modeling

Digital device modeling

Chapter overview

This chapter provides information about digital modeling, and includes the following sections:

- [Introduction](#) on page 378
- [Functional behavior](#) on page 379
- [Timing characteristics](#) on page 388
- [Input/Output characteristics](#) on page 394
- [Creating a digital model using the PINDLY and LOGICEXP primitives](#) on page 405

Note: This entire chapter describes features that are not included in PSpice.

Introduction

The standard part libraries contain a comprehensive set of digital parts in many different technologies. Each digital part is described electrically by a digital device model in the form of a subcircuit definition stored in a model library. The corresponding subcircuit name is defined by the part's MODEL attribute value. Other attributes—MNTYMXDLY, IO_LEVEL, and the PSPICEDEFAULTNET set—are passed to the subcircuit, thus providing a high-level means for influencing the behavior of the digital device model.

Generally, the digital parts provided in the part libraries are satisfactory for most circuit designs. However, if your design requires digital parts that are not already provided in the PSpice part and model libraries, you need to define digital device models corresponding to the new digital parts.

A complete digital device model has three main characteristics:

- Functional behavior: described by the gate-level and behavioral digital primitives comprising the subcircuit.
- I/O behavior: described by the I/O model, interface subcircuits, and power supplies related to a logic family.
- Timing behavior: described by one or more timing models, pin-to-pin delay primitives, or constraint checker primitives.

These characteristics are described in this chapter with a running example demonstrating the use of gate-level primitives.

Functional behavior

A digital device model's functional behavior is defined by one or more interconnected digital primitives. Typically, a logic diagram in a data book can be implemented directly using the primitives provided by PSpice. The table below provides a summary of the digital primitives.

Table 7-1 Digital primitives summary

Type	Description
Standard gates	

Table 7-1 Digital primitives summary

Type	Description
BUF	buffer
INV	inverter
AND	AND gate
NAND	NAND gate
OR	OR gate
NOR	NOR gate
XOR	exclusive OR gate
NXOR	exclusive NOR gate
BUFA	buffer array
INVA	inverter array
ANDA	AND gate array
NANDA	NAND gate array
ORA	OR gate array
NORA	NOR gate array
XORA	exclusive OR gate array
NXORA	exclusive NOR gate array
AO	AND-OR compound gate
OA	OR-AND compound gate
AOI	AND-NOR compound gate
OAI	OR-NAND compound gate

Table 7-1 Digital primitives summary

Type	Description
Tristate gates	
BUF3	buffer
INV3	inverter
AND3	AND gate
NAND3	NAND gate
OR3	OR gate
NOR3	NOR gate
XOR3	exclusive OR gate
NXOR3	exclusive NOR gate
BUF3A	buffer array
INV3A	inverter array
AND3A	AND gate array
NAND3A	NAND gate array
OR3A	OR gate array
NOR3A	NOR gate array
XOR3A	exclusive OR gate array
NXOR3A	exclusive NOR gate array
Bidirectional transfer gates	
NBTG	N-channel transfer gate
PBTG	P-channel transfer gate
Flip-flops and latches	

Table 7-1 Digital primitives summary

Type	Description
JKFF	J-K, negative-edge triggered
DFF	D-type, positive-edge triggered
SRFF	S-R gated latch
DLTCH	D gated latch
Pullup/pulldown resistors	
PULLUP	pullup resistor array
PULLDN	pulldown resistor array
Delay lines	
DLYLINE	delay line
Programmable logic arrays	
PLAND	AND array
PLOR	OR array
PLXOR	exclusive OR array
PLNAND	NAND array
PLNOR	NOR array
PLNXOR	exclusive NOR array
PLANDC	AND array, true and complement
PLORC	OR array, true and complement
PLXORC	exclusive OR array, true and complement
PLNANDC	NAND array, true and complement
PLNORC	NOR array, true and complement
PLNXORC	exclusive NOR array, true and complement

Table 7-1 Digital primitives summary

Type	Description
Memory	
ROM	read-only memory
RAM	random access read-write memory
Multi-Bit A/D & D/A Converters	
ADC	multi-bit A/D converter
DAC	multi-bit D/A converter
Behavioral	
LOGICEXP	logic expression
PINDLY	pin-to-pin delay
CONSTRAINT	constraint checking

The format for digital primitives is similar to that for analog devices. One difference is that most digital primitives require two models instead of one:

- The *timing model*, which specifies propagation delays and timing constraints such as setup and hold times.
- The *I/O model*, which specifies information specific to the device's input/output characteristics.

The reason for having two models is that, while timing information is specific to a device, the input/output characteristics are specific to a whole logic family. Thus, many devices in the same family reference the same I/O model, but each device has its own timing model.

Figure [7-1](#) presents an overview of a digital device definition in terms of its primitives and underlying model attributes. These models are discussed further on [Timing model](#) on page 388 and [Input/Output model](#) on page 394.

Digital primitive syntax

The general digital primitive format is shown below. For specific information on each primitive type see the online *PSpice Reference Guide*. Note that some digital primitives, such as pullups, do not have Timing models. See [Timing model](#) on page 388 for more information.

```
U<name> <primitive type> [( <parameter value>* )]  
+ <digital power node> <digital ground node>  
+ <node>*  
+ <Timing Model name> <I/O Model name>  
+ [MNTYMXDLY=<delay select value>]  
+ [IO_LEVEL=<interface subckt select value>]
```

where

<primitive type> [(*<parameter value>**)]

is the type of digital device, such as NAND, JKFF, or INV. It is followed by zero or more parameters specific to the primitive type, such as number of inputs. The number and meaning of the parameters depends on the primitive type.

<digital power node> *<digital ground node>*

are the nodes used by the interface subcircuits which connect analog nodes to digital nodes or vice versa.

*<node>**

is one or more input and output nodes. The number of nodes depends on the primitive type and its parameters. Analog devices, digital devices, or both may be connected to a node. If a node has both analog and digital connections, then PSpice A/D automatically inserts an interface subcircuit to translate between digital output states and voltages.

<Timing model name>

is the name of a timing model that describes the device's timing characteristics, such as propagation delay and setup and hold times. Each timing parameter has a minimum, typical, and maximum value which may be selected during analysis setup.

This type of Timing model and its parameters are specific to each primitive type and are discussed in the online *PSpice Reference Guide*.

<I/O model name>

is the name of an I/O model that describes the device's loading and driving characteristics. I/O models also contain the names of up to four DtoA and AtoD interface subcircuits, which are automatically called by PSpice A/D to handle analog/digital interface nodes. See [Input/Output model](#) on page 394 for more information.

MNTYMXDLY

is an optional device parameter that selects either the minimum, typical, or maximum delay values from the device's timing model. If not specified, MNTYMXDLY defaults to 0. Valid values are:

- 0 = the current value of the circuit-wide DIGMNTYMX option (default=2)
- 1 = minimum
- 2 = typical
- 3 = maximum
- 4 = worst-case timing (min-max)

IO_LEVEL

is an optional device parameter that selects one of the four AtoD or DtoA interface subcircuits from the device's I/O model. PSpice calls the selected subcircuit automatically in the event a node connecting to the primitive also connects to an analog device. If not specified, IO_LEVEL defaults to 0. Valid values are:

- 0 = the current value of the circuit-wide DIGIOLVL option (default=1)
- 1 = AtoD1/DtoA1
- 2 = AtoD2/DtoA2
- 3 = AtoD3/DtoA3

PSpice User Guide

Digital device modeling

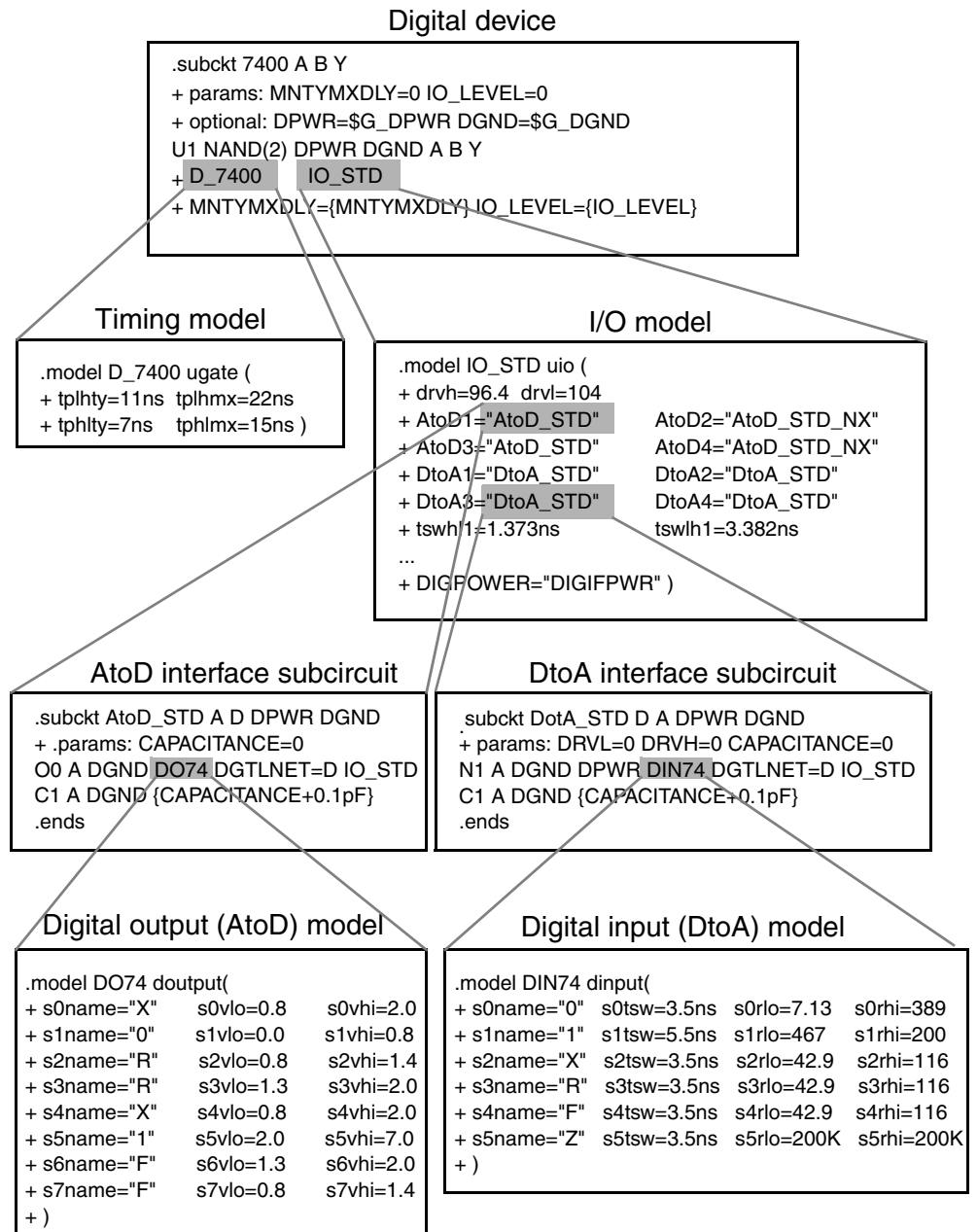


Figure 7-1 Elements of a digital device definition

4 = AtoD4/DtoA4

Following are some simple examples of “U” device declarations:

PSpice User Guide

Digital device modeling

```
U1 NAND(2) $G_DPWR $G_DGND 1 2 10 D0_GATE IO_DFT
U2 JKFF(1) $G_DPWR $G_DGND 3 5 200 3 3 10 2 D_293ASTD
+ IO_STD
U3 INV $G_DPWR $G_DGND IN OUT D_INV IO_INV MNTYMXDLY=3
+ IO_LEVEL=2
```

For example, the 74393 part could be defined as a subcircuit composed of “U” devices as shown below.

```
.subckt 74393 A CLR QA QB QC QD
+ optional: DPWR=$G_DPWR DGND=$G_DGND
+ params: MNTYMXDLY=0 IO_LEVEL=0
UINV inv DPWR DGND
+ CLR CLRBAR D0_GATE IO_STD
+ IO_LEVEL={IO_LEVEL}
U1 jkff(1) DPWR DGND
+ $D_HI CLRBAR A $D_HI $D_HI
+ QA_BUF $D_NC D_393_1 IO_STD
+ MNTYMXDLY={MNTYMXDLY}
+ IO_LEVEL={IO_LEVEL}
U2 jkff(1) DPWR DGND
+ $D_HI CLRBAR QA_BUF $D_HI $D_HI
+ QB_BUF $D_NC D_393_2 IO_STD
+ MNTYMXDLY={MNTYMXDLY}
U3 jkff(1) DPWR DGND
+ $D_HI CLRBAR QB_BUF $D_HI $D_HI
+ QC_BUF $D_NC D_393_2 IO_STD
+ MNTYMXDLY={MNTYMXDLY}
U4 jkff(1) DPWR DGND
+ $D_HI CLRBAR QC_BUF $D_HI $D_HI
+ QD_BUF $D_NC D_393_3 IO_STD
+ MNTYMXDLY={MNTYMXDLY}
UBUFF bufa(4) DPWR DGND
+ QA_BUF QB_BUF QC_BUF QD_BUF
+ QA QB QC QD D_393_4 IO_STD
+ MNTYMXDLY={MNTYMXDLY}
+ IO_LEVEL={IO_LEVEL}
.ends
```

When adding digital parts to the part libraries, you must create corresponding digital device models by connecting U devices in a subcircuit definition similar to the one shown above. You should save these in your own custom model library, which you can then configure for use with a given design.

Timing characteristics

A digital device model's timing behavior can be defined in one of two ways:

- Most primitives have an associated Timing model, in which propagation delays and timing constraints (such as setup/hold times) are specified. This method is used when it is easy to partition delays among individual primitives; typically when the number of primitives is small.
- Use the PINDLY and CONSTRAINT primitives, which can directly model pin-to-pin delays and timing constraints for the whole device model. With this method, all other functional primitives operate in zero delay. Refer to the online *PSpice Reference Guide* for a detailed discussion on these two primitives.

In addition to explicit propagation delays, other factors, such as output loads, can affect the total propagation delay through a device.

Timing model

With the exception of the PULLUP, PULLDN, and PINDLY devices, all digital primitives have a Timing model which provides timing parameters to the simulator. The Timing model for each primitive type is unique. That is, the model name and the parameters that can be defined for that model vary with the primitive type.

Within a Timing model, there may be one or more types of parameters:

- Propagation delays (TP)
- Setup times (TSU)
- Hold times (TH)
- Pulse widths (TW)
- Switching times (TSW)

Each parameter is further divided into three values: minimum (MN), typical (TY), and maximum (MX). For example, the typical low-to-high propagation delay on a gate is specified as the parameter TPLHTY.

PSpice User Guide

Digital device modeling

The minimum data-to-clock setup time on a flip-flop is specified as the parameter TSUDCLKMN.

Several timing models are used by digital device 74393 from the model libraries. One of them, D_393_1, is shown below for an edge-triggered flip-flop.

```
.model D_393_1 ueff (  
+ tppcqhly=18ns tppcqhlmx=33ns  
+ tpclkqly=6ns tpclkqlmx=14ns  
+ tpclkqhlty=7ns tpclkqhlmx=14ns  
+ twclkhmn=20ns twclklmn=20ns  
+ twpclmn=20ns tsudclkmn=25ns  
+ )
```

When creating your own digital device models, you can create Timing models like these for the primitives you are using. PSpice recommends that you save these in your own custom model library, which you can then configure for use with a given design.

One or more parameters may be missing from the Timing model definition. Data books do not always provide all three (minimum, typical, and maximum) timing specifications. The way the simulator handles missing parameters depends on the type of parameter.

For a description of Timing model parameters, see the specific primitive type under U devices in the online *PSpice Reference Guide*.

Treatment of unspecified propagation delays

Often, only the typical and maximum delays are specified in data books. If, in this case, the simulator were to assume that the unspecified minimum delay defaults to zero, the logic in certain circuits could break down.

For this reason, the simulator provides two configurable options, DIGMNTYSCALE and DIGTYMXSCALE, which are used to extrapolate unspecified propagation delays in the Timing models.

Note: This discussion applies only to propagation delay parameters (TP). All other timing parameters, such as setup/hold times and pulse widths are handled differently, and are discussed in the following section.

DIGMNTYSCALE

This option computes the minimum delay when a typical delay is known, using the formula:

$$TP_{xxMN} = DIGMNTYSCALE \cdot TP_{xxTY}$$

DIGMNTYSCALE defaults to the value 0.4, or 40% of the typical delay. Its value must be between 0.0 and 1.0.

DIGTYMXSCALE

This option computes the maximum delay from a typical delay, using the formula

$$TP_{xxMX} = DIGTYMXSCALE \cdot TP_{xxTY}$$

DIGTYMXSCALE defaults to the value 1.6. Its value must be greater than 1.0.

When a typical delay is unspecified, its value is derived from the minimum and/or maximum delays, in one of the following ways. If both the minimum and maximum delays are known, the typical delay is the average of these two values. If only the minimum delay is known, the typical delay is derived using the value of the DIGMNTYSCALE option. Likewise, if only the maximum delay is specified, the typical delay is derived using DIGTYMXSCALE. Obviously, if no values are specified, all three delays will default to zero.

Treatment of unspecified timing constraints

The remaining timing constraint parameters are handled differently than the propagation delays. Often, data books state pulse widths, setup times, and hold times as a minimum value. These parameters do not lend themselves to the extrapolation method used for propagation delays.

Instead, when one or more timing constraints are omitted, the simulator uses the following steps to fill in the missing values:

- If the minimum value is omitted, it defaults to zero.

- If the maximum value is omitted, it takes on the typical value if one was specified, otherwise it takes on the minimum value.
- If the typical value is omitted, it is computed as the average of the minimum and maximum values.

Propagation delay calculation

The timing characteristics of digital primitives are determined by both the timing models and the I/O models. Timing models specify propagation delays and timing constraints such as setup and hold times. I/O models specify input and output loading, driving resistances, and switching times.

When a device's output connects to another digital device, the total propagation delay through a device is determined by adding the loading delay (on the output terminal) to the delay specified in the device's timing model. Loading delay is calculated from the total load on the output and the device's driving resistances. The total load on an output is found by summing the output and input loads (OUTLD and INLD in the I/O model) of all devices connected to that output. This total load, combined with the device's driving resistances (DRVL and DRVH in the I/O model), allows the loading delay to be calculated:

$$\text{Loading delay} = R_{\text{DRIVE}} \cdot C_{\text{TOTAL}} \cdot \ln(2)$$

The loading delay is calculated for each output terminal of every device before the simulation begins. The total propagation delay is easily calculated during the simulation by adding the pre-calculated loading delay to the device's timing delay. However, for any individual timing delay specification (e.g., TPLH) having a value of 0, the loading delay *is not used*.

When outputs connect to analog devices, the propagation delay is reduced by the switching times specified in the I/O model. See [Input/Output characteristics](#) on page 394 for more information.

Inertial and transport delay

The simulator uses two different types of internal delay functions when simulating the digital portion of the circuit: *inertial delay* and *transport delay*. The application of these concepts is embodied

within the implementation of the digital primitives within the simulator. Therefore, they are not user-selectable.

Inertial delay

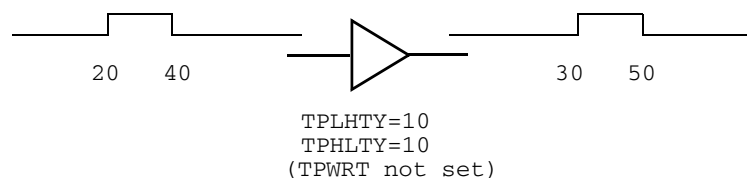
The simulation of a device may be described as the application of some *stimulus* (S) to a *function* (F) and predicting the *response* (R).



If this device is electrical in nature, application of the stimulus implies that energy will be imparted to the device to cause it to change state. The amount of such energy is a function of the signal's amplitude and duration. If the stimulus is applied to the device for a length of time that is too short, the device will not switch. The minimum duration required for an input change to have an effect on a device's output state is called the *inertial delay* of the device. For digital simulation, all delay parameters specified in timing models are considered inertial, with the exception of the delay line primitive, DLYLINE.

To model the noise immunity behavior of digital devices correctly, the TPWRT (pulse width rejection threshold) parameter can be set in the digital device's I/O model. When *pulse width* \geq TPWRT and *pulse width* $<$ *propagation delay*, then the device generates either a 0-R-0, 1-F-1, or an X pulse.

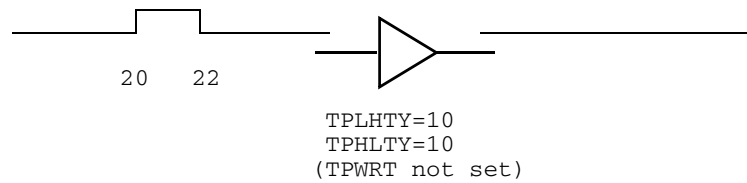
This example shows normal operation in which a pulse of 20 nsec width is applied to a BUF primitive having propagation delays of 10 nsec. TPWRT is not set.



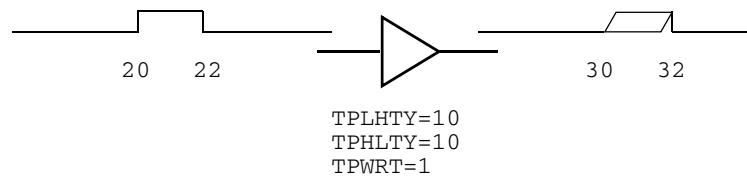
PSpice User Guide

Digital device modeling

The same device with a short pulse applied produces no output change.

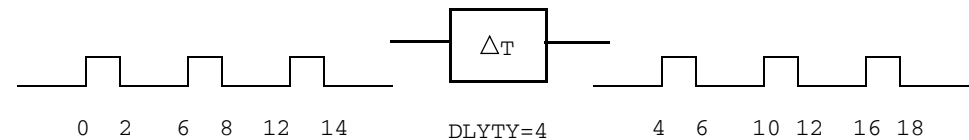


However, if TPWRT is assigned a numerical value (1 or 2 for this example), then the device outputs a glitch.



Transport delay

The delay line primitive is the only simulator model that can propagate any width pulse applied to its input. Its function is to skew the applied stimulus by some constant time value. For example:



See the DLYLINE digital primitive in the online *PSpice Reference Guide*.

Input/Output characteristics

A digital device model's input/output characteristics are defined by the I/O model that it references. Some characteristics, such as output drive resistance and loading capacitances, apply to digital simulation. Others, such as the interface subcircuits and the power supplies, apply only to mixed analog/digital simulation.

This section describes in detail:

- the I/O model
- the relationship between drive resistances and output strengths
- charge storage on digital nets
- the format of the interface subcircuits

Input/Output model

I/O models are common to entire logic families. For example, in the model libraries, there are only four I/O models for the entire 74LS family: IO_LS, for standard inputs and outputs; IO_LS_OC, for standard inputs and open-collector outputs; IO_LS_ST, for Schmitt trigger inputs and standard outputs; and IO_LS_OC_ST, for Schmitt trigger inputs and open-collector outputs. In contrast, timing models are unique to each device.

I/O models are specified as

```
.MODEL <I/O model name> UIO [model parameters]*
```

where valid model parameters are described in Table [7-2](#).

INLD and OUTLD

These are used in the calculation of loading capacitance, which factors into the propagation delay discussed under timing models on [Timing model](#) on page 388. Note that INLD does not apply to stimulus generators because they have no input nodes.

DRVH and DRVL

These are used to determine the strength of the output. Strengths are discussed on [Defining Output Strengths](#) on page 397.

DRVZ, INR, and TSTOREMN

These are used to determine which nets should be simulated as charge storage nets. These are discussed in [Charge storage nets](#) on page 400.

TPWRT

This is used to specify the pulse width above which the noise immunity behavior of a device is to be considered. See [Inertial delay](#) on page 392 on inertial delay for detail.

The following UIO model parameters are needed only when creating models for use in mixed-signal simulations, and therefore only apply to PSpice simulations.

AtoD1 through AtoD4, and DtoA1 through DtoA4

These are used to hold the names of interface subcircuits. Note that AtoD1 through AtoD4 do not apply to stimulus generators because digital stimuli have no input nodes.

DIGPOWER

This is used to specify the name of the digital power supply PSpice should call if one of the AtoD or DtoA interface subcircuits is called.

TSWLH_n and TSWHL_n

These switching times are subtracted from a device's propagation delay on the outputs which connect to interface nodes. This compensates for the time it takes the DtoA device to change its output voltage from its current level to that of the switching threshold. By subtracting the switching time from the propagation delay, the analog signal reaches the switching threshold at the correct time (that

is, at the exact time of the digital transition). The values for these model parameters should be obtained by measuring the time it takes the analog output of the DtoA (with a nominal analog load attached) to change to the switching threshold after its digital input changes. If the switching time is larger than the propagation delay for an output, no warning is issued, and a delay of zero is used.

When creating your own digital device models, you can create I/O models like these for the primitives you are using. We recommend that you save these in your own custom model library, which you can then configure for use with a given design.

See the online *PSpice Reference Guide* for more information on units and defaults for these parameters.

Note: The switching time parameters are not used when the output drives a digital node.

Table 7-2 Digital I/O model parameters

UIO model parameter	Description
INLD	input load capacitance
OUTLD	output load capacitance
DRVH	output high level resistance
DRVL	output low level resistance
DRVZ	output Z-state leakage resistance
INR	input leakage resistance
TSTOREMN	minimum storage time for net to be simulated as a charge
TPWRT	pulse width rejection threshold
AtoD1 (Level 1)	name of AtoD interface subcircuit
DtoA1 (Level 1)	name of DtoA interface subcircuit
AtoD2 (Level 2)	name of AtoD interface subcircuit
DtoA2 (Level 2)	name of DtoA interface subcircuit
AtoD3 (Level 3)	name of AtoD interface subcircuit

Table 7-2 Digital I/O model parameters, *continued*

UIO model parameter	Description
DtoA3 (Level 3)	name of DtoA interface subcircuit
AtoD4 (Level 4)	name of AtoD interface subcircuit
DtoA4 (Level 4)	name of DtoA interface subcircuit
DIGPOWER	name of power supply subcircuit
TSWLH1	switching time low to high for DtoA1
TSWLH2	switching time low to high for DtoA2
TSWLH3	switching time low to high for DtoA3
TSWLH4	switching time low to high for DtoA4
TSWHL1	switching time high to low for DtoA1
TSWHL2	switching time high to low for DtoA2
TSWHL3	switching time high to low for DtoA3
TSWHL4	switching time high to low for DtoA4

The digital primitives comprising the 74393 part reference the IO_STD I/O model in the model libraries as shown:

```
.model IO_STD uio (
+   drvvh=96.4   drvvl=104
+   AtoD1="AtoD_STD"   AtoD2="AtoD_STD_NX"
+   AtoD3="AtoD_STD"   AtoD4="AtoD_STD_NX"
+   DtoA1="DtoA_STD"   DtoA2="DtoA_STD"
+   DtoA3="DtoA_STD"   DtoA4="DtoA_STD"
+   tswlh1=1.373ns           tswlh1=3.382ns
+   tswlh2=1.346ns           tswlh2=3.424ns
+   tswlh3=1.511ns           tswlh3=3.517ns
+   tswlh4=1.487ns           tswlh4=3.564ns
+ )
```

Defining Output Strengths

The goal of running simulations is to calculate values for each node in the circuit. For analog nodes, the values are voltages. For digital nodes, these values are *states*. The state of a digital node is calculated from the output *strengths* of the devices driving the node

and the logic level of the node. Node strength calculations are described in [Chapter 14, “Digital simulation.”](#)

The purpose of strengths is to allow the simulator to find the value of a node when more than one output is driving it. A common example is a bus line which is driven by more than one tristate driver. Under normal circumstances, all drivers except one are driving at the Z (high impedance) strength. Thus, the bus line will take on the value of the one gate that is driving at a higher strength (lower impedance).

Another example is a bus line connected to several open collector output devices and a digital pullup resistor. The pullup resistor outputs a 1 level at a weak (but non-Z) strength. If all of the open-collector devices are outputting at Z strength, then the node will have a 1 level because of the pullup resistor. If any of the open collectors output a 0, at a higher strength than the pullup resistor, then the 0 will overpower the weak 1 from the pullup, and the node will be a 0 level.

Configuring the strength scale

The 64 strengths are determined by two configurable options: DIGDRVZ and DIGDRVF. You can set these options in the Simulation Settings dialog box in PSpice A/D.

DIGDRVZ defines the impedance of the Z strength, and DIGDRVF defines the impedance of the forcing strength. These two values define a logarithmic scale consisting of 64 *ranges* of impedance values. By default, DIGDRVZ is 20 kohms and DIGDRVF is 2 ohms. The larger the range between DIGDRVZ and DIGDRVF, the larger the range of impedance values in each of the 64 strengths.

Determining the strength of a device output

The simulator uses the value of the DRVH (high-level driving resistance) or DRVL (low-level driving resistance) parameters from the device's I/O model. If the level of the output is a 1, the simulator obtains the strength by finding the *bin* which contains the value of the DRVH parameter. Likewise, if the level is a 0, the simulator uses the value of the DRVL parameter to obtain the strength.

See [Input/Output model](#) on page 394 for more information.

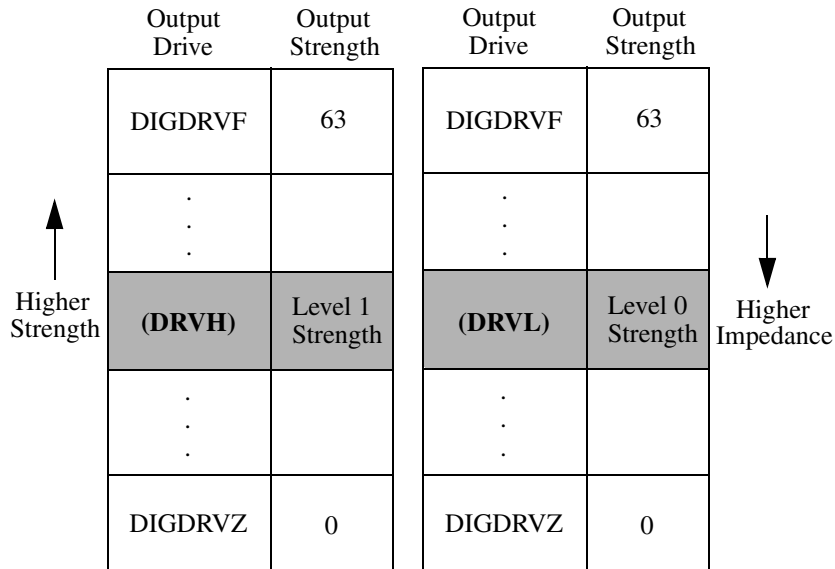


Figure 7-2 Level 1 and 0 strength determination.

Note that if the values of DRVH and DRVL in the I/O model are different, it is possible for the 1 and 0 levels to have different strengths. This is useful for open-collector devices, where the 0 level is at a higher strength than the 1 level (which drives at the Z strength).

Drive impedances which are higher than the value of DIGDRVZ are assigned the Z strength (0). Likewise, drive impedances lower than the value of DIGDRVF are assigned the forcing strength (63).

Controlling overdrive

During a simulation, the simulator uses only the strength range number (0-63) to compare the driving strength of outputs. The simulator allows you to control how much *stronger* an output must be before it overdrives the other outputs driving the same node. This is controlled with the configurable DIGOVRDRV option. By default, DIGOVRDRV is 3, meaning that the strength value assigned to an output must be at least 3 greater than all other drivers before it determines the level of the node.

The accuracy of the DIGOVRDRV strength comparison is limited by the size of the strength range, DIGDRVZ through DIGDRVF. The default drive range of 2 ohms to 20,000 ohms gives strength ranges

of 7.5%. The accuracy of the strength comparison is 15%. In other words, depending on the particular values of DRVH and DRVL, it might take as much as a factor of 3.45 to overdrive a signal, or as little as a factor of 2.55. The accuracy of the comparison increases as the ratio between DIGDRVF and DIGDRVZ decreases.

You can set the DRVH, DRVL, DIGDRVF, DIGDRVZ, and DIGOVRDRV options in the Simulation Settings dialog box in PSpice A/D.

Charge storage nets

The ability to model charge storage on digital nets is useful for engineers who are designing dynamic MOS integrated circuits. In such circuits, it is common for the designer to temporarily store a one or zero on a net by driving the net to the appropriate voltage and then turning off the drive. The charge which is trapped on the net causes the net's voltage to remain unchanged for some time after the net is no longer driven. The technique is not normally used on PCB nets because sub-nanoampere input and output leakage currents would be required, as well as low coupling from adjacent signals.

The simulator models the stored charge nets using a simplified *switch-level* simulation technique. A normalized (with respect to power supply) charge or discharge current is calculated for each output or transfer gate attached to the net. This current, divided by the net's total capacitance, is integrated and recalculated at intervals which are appropriate for the particular net. The net's digital level is determined by the normalized voltage on the net. Only the digital level (1, 0, R, F, X) on the net is used by device inputs attached to the net.

This technique allows accurate simulation of networks of transfer gates and capacitive loads. The sharing of charge among several nets which are connected by transfer gates is handled properly because the simulation method calculates the charge transferred between the nets, and maintains a floating-point value for the charge on the net (not just a one or zero). Because of the increased computation, it takes the simulator longer to simulate charge storage nets than normal digital nets. However, charge storage nets are simulated much faster than analog nets.

The I/O model parameters INR, DRVZ, and TSTOREMN (see [Table 7-2](#) on page 396) are used by the simulator to determine which nets should be simulated as charge storage nets. The simulator will simulate charge storage only for a net which has some devices attached to it which can be high impedance (Z), and which has a storage time greater than or equal to the smallest TSTOREMN of all inputs attached to the net. The storage time is calculated as the total capacitance (sum of all INLD and OUTLD values for attached inputs and outputs) multiplied by the total leakage resistance for the net (the parallel combination of all INR and DRVZ values for attached inputs and outputs).

Note: The default values provided by the UIO model will **not** allow the use of charge-storage simulation techniques—even with circuits using non-PSpice libraries of digital devices. This is appropriate, since these libraries are usually for PCB-based designs.

Creating your own interface subcircuits for additional technologies

If you are creating custom digital parts for a technology which is not in the model libraries, you may also need to create AtoD and DtoA subcircuits. The new subcircuits need to be referenced by the I/O models for that technology. The AtoD and DtoA interfaces have specific formats, such as node order and parameters, which are expected by PSpice for mixed-signal simulations.

If you are creating parts in one of the logic families *already* in the model libraries, you should reference the existing I/O models appropriate to that family. The I/O models, in turn, automatically reference the correct interface subcircuits for that family. These, too, are already contained in the model libraries.

The AtoD interface subcircuit format is shown here:

```
.SUBCKT ATOD <name suffix>
+ <analog input node>
+ <digital output node>
+ <digital power supply node>
+ <digital ground node>
+ PARAMS: CAPACITANCE=<input load value>
+ {O device, loading capacitor, and other
+ declarations}
.ENDS
```

PSpice User Guide

Digital device modeling

It has four nodes as described. The AtoD subcircuit has one parameter, CAPACITANCE, which corresponds to the input load. PSpice passes the value of the I/O model parameter INLD to this parameter when the interface subcircuit is called.

The DtoA interface subcircuit format is shown here:

```
.SUBCKT DTOA <name suffix>
+ <digital input node> <analog output node>
+ <digital power supply node> <digital
+ ground node>
+ PARAMS:  DRVL=<0 level driving resistance>
+ DRVH=<1 level driving resistance>
+ CAPACITANCE=<output load value>
+ {N device, loading capacitor, and other
+ declarations}
.ENDS
```

It also has four nodes. Unlike the AtoD subcircuit, the DtoA subcircuit has three parameters. PSpice will pass the values of the I/O model parameters DRVL, DRVH, and OUTLD to the interface subcircuit's DRVL, DRVH, and CAPACITANCE parameters when it is called.

The library file DIG_IO.LIB contains the I/O models and interface subcircuits for all logic families supported in the model libraries. You should refer to this file for examples of the I/O models, interface subcircuits, and the proper use of N and O devices.

Shown below are the I/O model and AtoD interface subcircuit definition used by the primitives describing the 74393 part.

```
.model IO_STD uio (
+  drvh=96.4      drv1=104
+  AtoD1="AtoD_STD"  AtoD2="AtoD_STD_NX"
+  AtoD3="AtoD_STD"  AtoD4="AtoD_STD_NX"
+  DtoA1="DtoA_STD"  DtoA2="DtoA_STD"
+  DtoA3="DtoA_STD"  DtoA4="DtoA_STD"
+  tswl1=1.373      tswlh1=3.382ns
+  tswl2=1.346ns    tswlh2=3.424ns
+  tswl3=1.511ns    tswlh3=3.517ns
+  tswl4=1.487ns    tswlh4=3.564ns
+ )

.subckt AtoD_STD  A D DPWR DGND
+  params: CAPACITANCE=0
*
O0  A DGND DO74 DGTLNET=D IO_STD
C1  A 0 {CAPACITANCE+0.1pF}
.ends
```

If an instance of the 74393 part is connected to an analog part via node AD_NODE, PSpice generates an interface block using the I/O model specified by the digital primitive actually at the interface. Suppose that U1 is the primitive connected at AD_NODE (see the

PSpice User Guide

Digital device modeling

74393 subcircuit definition on page 387), and that the IO_LEVEL is set to 1. PSpice determines that IO_STD is the I/O model used by U1. Notice how IO_STD identifies the interface subcircuit names AtoD_STD and DtoA_STD to be used for level 1 subcircuit selection. If the connection with U1 is an input (such as a clock line), PSpice creates an instance of the subcircuit AtoD_STD:

```
X$AD_NODE_AtoD1 AD_NODE AD_NODE$AtoD $G_DPWR
+ $G_DGND
+ AtoD_STD
+ PARAMS: CAPACITANCE=0
```

The AtoD_STD interface subcircuit references the DO74 model in its PSpice O device declaration. This model, stated elsewhere in the model libraries, describes how to translate an analog signal on the analog side of an interface node, to a digital state on the digital side of an interface node.

```
.model DO74 doutput
+ s0name="X" s0vlo=0.8 s0vhi=2.0
+ s1name="0" s1vlo=-1.5 s1vhi=0.8
+ s2name="R" s2vlo=0.8 s2vhi=1.4
+ s3name="R" s3vlo=1.3 s3vhi=2.0
+ s4name="X" s4vlo=0.8 s4vhi=2.0
+ s5name="1" s5vlo=2.0 s5vhi=7.0
+ s6name="F" s6vlo=1.3 s6vhi=2.0
+ s7name="F" s7vlo=0.8 s7vhi=1.4
+
```

The DOUTPUT model parameters are described under O devices in the online *PSpice Reference Guide*.

Supposing the output of the 74393 is connected to an analog part via the digital primitive UBUFF. At IO_LEVEL set to 1, PSpice determines that the DtoA_STD interface subcircuit identified in the IO_STD model, should be used.

```
.subckt DtoA_STD D A DPWR DGND
+ params: DRVL=0 DRVH=0 CAPACITANCE=0
*
N1 A DGND DPWR DIN74 DGTLNET=D IO_STD
C1 A DGND {CAPACITANCE+0.1pF}
.ends
```

For this subcircuit, the DRVH and DRVL parameters values specified in the IO_STD model would be passed to it. (The interface subcircuits in the model libraries do not currently use these values.)

The DtoA_STD interface subcircuit references the DIN74 model in its PSpice N device declaration. This model, stated elsewhere in the libraries, describes how to translate a digital state into a voltage and impedance.

PSpice User Guide

Digital device modeling

```
.model DIN74 dinput (  
+ s0name="0" s0tsw=3.5ns s0rlo=7.13  
+ s0rhi=389 ; 7ohm, 0.09v  
+ s1name="1" s1tsw=5.5ns s1rlo=467  
+ s1rhi=200 ; 140ohm, 3.5v  
+ s2name="X" s2tsw=3.5ns s2rlo=42.9  
+ s2rhi=116 ; 31.3ohm, 1.35v  
+ s3name="R" s3tsw=3.5ns s3rlo=42.9  
+ s3rhi=116 ; 31.3ohm, 1.35v  
+ s4name="F" s4tsw=3.5ns s4rlo=42.9  
+ s4rhi=116 ; 31.3ohm, 1.35v  
+ s5name="Z" s5tsw=3.5ns s5rlo=200K  
+ s5rhi=200K  
)
```

The DINPUT model parameters are described under PSpice N devices in the online *PSpice Reference Guide*.

Each state is turned into a pullup and pulldown resistor pair to provide the correct voltage and impedance. The Z state is accounted for as well as the 0, 1, and X logic levels.

You can create your own interface subcircuits, DINPUT models, DOUTPUT models, and I/O models like these for technologies not currently supported in the model libraries. We recommend that you save these in your own custom model library, which you can then configure for use with a given design.

Creating a digital model using the PINDLY and LOGICEXP primitives

Unlike the majority of analog device types, the bulk of digital devices are not primitives that are compiled into the simulator. Instead, most digital models are macro models or subcircuits that are built from a few primitive devices.

These subcircuits reference interface and timing models to handle the D-to-A and A-to-D interfaces and the overall timing parameters of the physical device. For most families of digital components, the interface models are already defined and available in the `DIG_IO.LIB` library, which is supplied with all digital and mixed-signal packages. If you are unsure of the exact name of the interface model you need to use, use a text editor to look in `DIG_IO.LIB`.

For instance, if you are trying to model a 74LS component that is not already in a library, open `DIG_IO.LIB` with your text editor and search for 74LS to get the interface models for the 74LS family. You can also read the information at the beginning of the file which explains many of the terms and uses for the I/O models.

In the past, the timing model has presented the greatest challenge when trying to model a digital component. This was due to the delays of a component being distributed among the various gates. Recently, the ability to model digital components using logic expressions (LOGICEXP) and pin-to-pin delays (PINDLY) has been added to the simulator. Using the LOGICEXP and PINDLY digital primitives, you can describe the logic of the device with zero delay and then enter the timing parameters for the pin-to-pin delays directly from the manufacturer's data sheet. Digital primitives still must reference a standard timing model, but when the PINDLY device is used, the timing models are simply zero-delay models that are supplied in `DIG_IO.LIB`. The default timing models can be found in the same manner as the standard I/O models. The PINDLY primitive also incorporates constraint checking which allows you to enter device data such as pulse width and setup/hold timing from the data sheet. Then the simulator can verify that these conditions are met during the simulation.

Digital primitives

Primitives in the simulator are devices or functions which are compiled directly into the code. The primitives serve as fundamental building blocks for more complex macro models.

There are two types of primitives in the simulator: gate level and behavioral. A gate level primitive normally refers to an actual physical device (such as buffers, AND gates, inverters). A behavioral primitive is not an actual physical device, but rather helps to define parameters of a higher level model. Just like gate level primitives, behavioral primitives are intrinsic functions in the simulator and are treated in much the same manner. They are included in the gate count for circuit size and cannot be described by any lower level model.

In our 74160 example (see *The TTL Data Book* from Texas Instruments for schematic and description), the four J-K flip-flops are the four digital gate level primitives. While flip-flops are physically more complex than gates in terms of modeling, they are defined on the same level as a gate (for example, flip-flops are a basic device in the simulator). Since all four share a common Reset, Clear, and Clock signal, they can be combined into one statement as an array of flip-flops. They could just as easily have been written separately, but the array method is more compact. See the *Digital Devices* chapter in the online *PSpice Reference Guide* for more information.

Logic expression (LOGICEXP primitive)

Looking at the listing in [74160 example](#) on page 413 and at the schematic representation of the 74160 subcircuit, you can see that there are three main parts to the subcircuit. Following the usual header information, .SUBCKT keyword, subcircuit name, interface pin list, and parameter list is the LOGICEXP primitive. It contains everything in the component that can be expressed in terms of simple combinational logic. The logic expression device also serves to buffer other input signals that will go to the PINDLY primitive. In this case, LOGICEXP buffers the ENP_I, ENT_I, CLK_I, CLRBAR_I, LOADBAR_I, and four data signals. See the *Digital Devices* chapter in the online *PSpice Reference Guide* for more information.

For our 74160 example, the logic expression (LOGICEXP) has fourteen inputs and twenty outputs. The inputs are the nine interface input pins in the subcircuit plus five feedback signals that come from

the flip-flops (QA, QB, QC, QD, and QDBAR). The flip-flops are primitive devices themselves and are not part of the logic expression. The outputs are the eight J-K data inputs to the flip-flops, RCO, the four data lines used internal to the logic expression (A, B, C, D), and the seven control lines: CLK, CLKBAR, EN, ENT, ENP, CLRBAR, and LOADBAR.

The schematic representation of the device shows buffers on every input signal of the model, while the logic diagram of the device in the data book shows buffers or inverters on only the CLRBAR_I, CLK_I, and LOADBAR_I signals. We have added buffers to the inputs to minimize the insertion of A-to-D interfaces when the device is driven by analog circuitry. The best example is the CLK signal. With the buffer in place, if the CLK signal is analog, one A-to-D interface device will be inserted into the circuit by the simulator. If the buffer was not present, then an interface device would be inserted at the CLK pin of each of the flip-flops. The buffers have no delay associated with them, but by minimizing the number of A-to-D interfaces, we speed up the mixed-signal simulation by reducing the number of necessary calculations. For situations where the device is only connected to other digital nodes, the buffers have no effect on the simulation.

The D0_GATE, shown in the listing, is a zero-delay primitive gate timing model. For most TTL modeling applications, this only serves as a place holder and is not an active part of the model. Its function has been replaced by the PINDLY primitive. The D0_GATE model can be found in the library file `DIG_IO.LIB`. For a more detailed description of digital primitives, see the *Digital Devices* chapter in the online *PSpice Reference Guide*.

IO_STD, shown in the listing, is the standard I/O model. This determines the A-to-D and D-to-A interface characteristics for the subcircuit. The device contains family-specific information, but the models have been created for nearly all of the stock families. The various I/O models can be found in the library file `DIG_IO.LIB`.

The logic expressions themselves are straightforward. The first nine are buffering the input signals from outside the subcircuit. The rest describe the logic of the actual device up to the flip-flops. By tracing the various paths in the design, you can derive each of the logic equations.

The D0_EFF timing model, shown in the listing, is a zero-delay default model already defined in `DIG_IO.LIB` for use with flip-flops. All of the delays for the device are defined in the PINDLY section. The I/O model is `IO_STD` as identified previously. We have not specified a `MNTYMXDLY` or `IO_LEVEL` parameter, so the default values are used. For a more detailed description of the general digital primitives `MNTYMXDLY` and `IO_LEVEL`, see the *Digital Devices* chapter in the online *PSpice Reference Guide*.

The primitive `MNTYMXDLY` specifies whether to use the minimum, typical, maximum, or digital worst-case timing values from the device's timing model (in this case the PINDLY device). For the 74160, `MNTYMXDLY` is set to 0. This means that it takes on the current value of the `DIGMNTYMX` parameter. `DIGMNTYMX` defaults to 2 (typical timing) unless specifically changed using the `.OPTIONS` command.

The primitive `IO_LEVEL` selects one of four possible A-to-D and D-to-A interface subcircuits from the device's I/O model. In the header of this subcircuit, `IO_LEVEL` is set to 0. This means that it takes on the value of the `DIGIOLVL` parameter. `DIGIOLVL` defaults to 1 unless specifically changed using the `.OPTIONS` command.

Pin-to-pin delay (PINDLY primitive)

The delay and constraint specifications for the model are specified using the PINDLY primitive. The PINDLY primitive is evaluated every time any of its inputs or outputs change. See the *Digital Devices* chapter in the online *PSpice Reference Guide* for more information.

For the 74160, we have five delay paths, the four flip-flop outputs to subcircuit outputs `QA...QD` to `QA_O...QD_O`, and `RCO` to `RCO_O`. The five paths are seen in the Delay & Constraint section of the design. For delay paths, the number of inputs must equal the number of outputs. Since the 74160 does not have TRI-STATE outputs, there are no enable signals for this example, but there are ten reference nodes. The first four (`CLK`, `LOADBAR`, `ENT`, and `CLRBAR`) are used for both the pin-to-pin delay specification and the constraint checking. The last six (`ENP`, `A`, `B`, `C`, `D`, and `EN`) are used only for the constraint checking.

The PINDLY primitive also allows constraint checking of the model. It can verify the setup, hold times, pulse width, and frequency. It also has a general mechanism to allow for user-defined conditions to be reported. The constraint checking only reports timing violations; it does not affect the propagation delay or the logic state of the device. Since the timing parameters are generally specified at the pin level of the actual device, the checking is normally done at the interface pins of the subcircuit after the appropriate buffering has been done.

BOOLEAN

The keyword **BOOLEAN** begins the boolean assignments which define temporary variables that can be used later in the PINDLY primitive. The form is:

boolean variable = {boolean expression}

The curly braces are required.

In the 74160 model, the boolean expressions are actually reference functions. There are three reference functions available: **CHANGED**, **CHANGED_LH**, and **CHANGED_HL**. The format is:

function name (node, delta time)

For our example, we define the variable **CLOCK** as a logical **TRUE** if there has been a LO-to-HI transition of the **CLK** signal at simulation time. We define **CONTENT** as **TRUE** if there has been any transition of the **ENT** signal at the simulation time.

Boolean operators take the following boolean values as operands:

- reference functions
- transition functions
- previously assigned boolean variables
- boolean constants **TRUE** and **FALSE**

Transition functions have the general form of:

TRN_pn

For a complete list of reference functions and transition functions, see the *Digital Devices* chapter in the online *PSpice Reference Guide*.

PINDLY

PINDLY contains the actual delay and constraint expressions for each of the outputs.

The CASE function defines a more complex, rule-based *<delay expression>* and works as a rule section mechanism for establishing path delays. Each boolean expression in the CASE function is evaluated in order until one is encountered that produces a TRUE result. Once a TRUE expression is found, the delay expression portion of the rule is associated with the output node being evaluated, and the remainder of the CASE function is ignored. If none of the expressions evaluate to TRUE, then the DEFAULT delay is used. Since it is possible for none of the expressions to yield a TRUE result, you must include a default delay in every CASE function. Also note that the expressions must be separated by a comma.

In the PINDLY section of the PINDLY primitive in the model listing, the four output nodes (QA_O through QD_O) all use the same delay rules. The CASE function is evaluated independently for each of the outputs in turn. The first delay expression is:

```
CLOCK & LOADBAR== '1' & TRN_LH, DELAY(-1,13NS,20NS)
```

This means that if CLOCK is TRUE, and LOADBAR is equal to 1, and QA_O is transitioning from 0 to 1, then the values of -1, 13ns, and 20ns are used for the MINIMUM, TYPICAL, and MAXIMUM propagation delay for the CLK-to-QA data output of the chip. In this case, the manufacturer did not supply a minimum prop delay, so we used the value -1 to tell the simulator to derive a value from what was given. If this statement is TRUE, then the simulator assigns the values and move on to the CASE function for QB_O and eventually RCO_O.

For instances where one or more propagation delay parameters are not supplied by the data sheet, the simulator derives a value from what is known and the values specified for the .OPTION DIGMNTYSCALE and DIGTYMXSCALE.

When the typical value for a delay parameter is known but the minimum is not, the simulator uses the formula:

$$TP_{xxMN} = DIGMNTYSCALE \times TP_{xxTY}$$

where the value of DIGMNTYSCALE is between 0.1 and 1.0 with the default value being 0.4. If the typical is known and the maximum is not, then the simulator uses the formula:

$$TP_{xxMX} = DIGTYMXSCALE \times TP_{xxTY}$$

where the value of DIGTYMXSCALE is greater than 1.0 with the default being 1.6. If the typical value is not known, and both the minimum and maximum are, then the typical value used by the simulator will be the average of the minimum and maximum propagation delays. If only one of min or max is known, then the typical delay is calculated using the appropriate formula as listed above. If all three are unknown, then they all default to a value of 0.

Constraint checker (CONSTRAINT primitive)

The CONSTRAINT primitive provides a general constraint checking mechanism to the digital device modeler. It performs setup and hold time checks, pulse width checks, frequency checks, and includes a general mechanism to allow user-defined conditions to be reported. See the *Digital Devices* chapter in the online *PSpice Reference Guide* for more information.

Setup_Hold

The expressions in the SETUP_HOLD specification may be listed in any order.

CLOCK defines the node that is to be used as the reference for the setup/hold/release specification. The assertion edge must be LH or HL (for example, a transition from logic state 0 to 1 or from 1 to 0.)

DATA specifies which node(s) is to have its setup/hold time measured.

SETUPTIME defines the minimum time that all DATA nodes must be stable prior to the assertion edge of the clock. The time value must be a nonnegative constant or expression and is measured in

seconds. If the device has different setup/hold times depending on whether the data is HI or LOW at the clock change, you can use either or both of the following forms:

SETUPTIME_LO = <time value>
SETUPTIME_HI = <time value>

If either of the time values is 0, then no check is done for that case.

HOLDTIME is used in the same way as SETUPTIME and also has the alternate _LH and _HL formats and 0 value condition.

RELEASETIME causes the simulator to perform a special-purpose setup check. Release time (also referred to as recovery time in some data sheets) refers to the minimum time that a signal can go inactive before the active clock edge. Again, the _LH and _HL forms are available. The difference between RELEASETIME and SETUPTIME checking is that simultaneous CLOCK/DATA transitions are never allowed (this assumes a nonzero hold time). RELEASETIME is usually not used in conjunction with SETUPTIME or HOLDTIME.

Width

WIDTH does the minimum pulse-width checking. MIN_HI/MIN_LO is the minimum time that the node can remain HI/LOW. The value must be a nonnegative constant, or expression. A value of 0 means that any pulse width is allowed. At least one of MIN_HI or MIN_LO must be used within a WIDTH section.

Freq

FREQ checks the frequency. MINFREQ/MAXFREQ is the minimum/maximum frequency that is allowed on the node in question. The value must be a nonnegative floating point constant or expression measured in hertz. At least one of MINFREQ or MAXFREQ must be used within a FREQ section.

AFFECTS clauses (not used in this example) can be included in constraints to describe how the simulator should associate the failure of a constraint check with the outputs (paths through the device) of the PINDLY. This information does not affect the logic state of the outputs but provides causality detail used by the error tracking mechanism in PSpice A/D waveform analysis.

74160 example

In the 74160 example, we are checking that the maximum clock frequency (CLK) is not more than 25 MHz and the pulse width is 25 ns. We are also checking that the CLRBAR signal has a minimum LO pulse width of 20 ns, and that the 4 data inputs (A, B, C, D) have a setup/hold time of 20 ns in reference to the CLK signal. We are also checking that ENP and ENT have a setup/hold time of 20 ns with respect to the 0 to 1 transition of the CLK signal, but only when the conditions in the WHEN statement are met. All of the delay and constraint checking values were taken directly from the actual data sheet. This makes the delay modeling both easy and accurate.

All of the above primitives and modeling methods, as well as a few special cases that are not covered here, can be found in the *Digital Devices* chapter of the online *PSpice Reference Guide*.

* 74160 Synchronous 4-bit Decade Counters with asynchronous clear

* Modeled using LOGICEXP, PINDLY, & CONSTRAINT devices

```
.SUBCKT 74160 CLK_I ENP_I ENT_I CLRBAR_I LOADBAR_I A_I B_I C_I D_I
+ QA_O QB_O QC_O QD_O RCO_O
+ OPTIONAL: DPWR=$G_DPWR DGND=$G_DGND
+ PARAMS: MNTYMXDLY=0 IO_LEVEL=0
*
U160LOG LOGICEXP(14,20) DPWR DGND
+ CLK_I ENP_I ENT_I CLRBAR_I LOADBAR_I A_I B_I C_I D_I
+ QDBAR QA QB QC QD
+ CLK ENP ENT CLRBAR LOADBAR A B C D
+ CLKBAR RCO JA JB JC JD KA KB KC KD EN
+ D0_GATE IO_STD IO_LEVEL={IO_LEVEL}
+ LOGIC:
+ CLK = { CLK_I } ;Buffering
+ ENP = { ENP_I }
+ ENT = { ENT_I }
+ CLRBAR = { CLRBAR_I }
+ LOADBAR = { LOADBAR_I }
+ A = { A_I }
+ B = { B_I }
+ C = { C_I }
+ D = { D_I }
+ CLKBAR = { ~CLK } ;Logic expressions
+ LOAD = { ~LOADBAR }
+ EN = { ENP & ENT }
+ I1A = { LOAD | EN }
+ I2A = { ~(LOAD & A) }
+ JA = { I1A & ~(LOAD & I2A) }
+ KA = { I1A & I2A }
+ I1B = { (QA & EN & QDBAR) | LOAD }
+ I2B = { ~(LOAD & B) }
+ JB = { I1B & ~(LOAD & I2B) }
+ KB = { I1B & I2B }
+ I1C = { (QA & EN & QB) | LOAD }
```

PSpice User Guide

Digital device modeling

```
+ I2C = { ~(LOAD & C) }
+ JC = { I1C & ~(LOAD & I2C) }
+ KC = { I1C & I2C }
+ I1D = { ((QC & QB & QA & EN) | (EN & QA & QD)) | LOAD }
+ I2D = { ~(LOAD & D) }
+ JD = { I1D & ~(LOAD & I2D) }
+ KD = { I1D & I2D }
+ RCO = { QD & QA & ENT }
*
UJKFF JKFF(4) DPWR DGND $D_HI CLRBAR CLKBAR JA JB JC JD KA KB KC KD
+ QA QB QC QD QABAR QBBAR QCBAR QDBAR D0_EFF IO_STD
U160DLY PINDLY (5,0,10) DPWR DGND
+RCO QA QB QC QD
+CLK LOADBAR ENT CLRBAR ENP A B C D EN
+RCO_O QA_O QB_O QC_O QD_O
+IO_STD MNTYMXDLY={MNTYMXDLY} IO_LEVEL={IO_LEVEL}
+BOOLEAN:
+ CLOCK = { CHANGED_LH(CLK,0) }
+ CNTENT = { CHANGED(ENT,0) }
+PINDLY:
+ QA_O QB_O QC_O QD_O = {
+ CASE(
+ CLOCK & LOADBAR==1 & TRN_LH, DELAY(-1,13NS,20NS),
+ CLOCK & LOADBAR==1 & TRN_HL, DELAY(-1,15NS,23NS),
+ CLOCK & LOADBAR==0 & TRN_LH, DELAY(-1,17NS,25NS),
+ CLOCK & LOADBAR==0 & TRN_HL, DELAY(-1,19NS,29NS),
+ CHANGED_HL(CLRBAR,0), DELAY(-1,26NS,38NS),
+ DELAY(-1,26NS,38NS)
+ )
+ }
+ RCO_O = {
+ CASE(
+ CNTENT, DELAY(-1,11NS,16NS),
+ CLOCK, DELAY(-1,23NS,35NS),
+ DELAY(-1,23NS,35NS)
+ )
+ }
+FREQ:
+ NODE = CLK
+ MAXFREQ = 25MEG
+WIDTH:
+ NODE = CLK
+ MIN_LO = 25NS
+ MIN_HI = 25NS
+WIDTH:
+ NODE = CLRBAR
+ MIN_LO = 20NS
+SETUP_HOLD:
+ DATA(4) = A B C D
+ CLOCK LH = CLK
+ SETUP_TIME = 20NS
+ WHEN = { (LOADBAR!=1 ^ CHANGED(LOADBAR,0)) &
+ CLRBAR!=0 }
+SETUP_HOLD:
+ DATA(2) = ENP ENT
+ CLOCK LH = CLK
+ SETUP_TIME = 20NS
+ WHEN = { CLRBAR!=0 & (LOADBAR!=0 ^
+ CHANGED(LOADBAR,0))
+ & CHANGED(EN,20NS) }
+SETUP_HOLD:
```

PSpice User Guide

Digital device modeling

```
+ DATA(1)=LOADBAR
+ CLOCK LH = CLK
+ SETUPTIME = 25NS
+ WHEN = { CLRBAR!=0 }
+ SETUP_HOLD:
+ DATA(1) = CLRBAR
+ CLOCK LH = CLK
+ RELEASETIME_LH = 20NS
.ENDS
```

PSpice User Guide
Digital device modeling

Part three: Setting up and running analyses

Part Three describes how to set up and run analyses and provides setup information specific to each analysis type.

- [Chapter 8, “Setting up analyses and starting simulation,”](#) explains the procedures general to all analysis types to set up and start the simulation.
- [Chapter 9, “DC analyses,”](#) describes how to set up DC analyses, including DC sweep, bias point detail, small-signal DC transfer, and DC sensitivity.
- [Chapter 10, “AC analyses,”](#) describes how to set up AC sweep and noise analyses.
- [Chapter 12, “Overview of transient analysis,”](#) describes how to set up transient analysis and optionally Fourier components. This chapter also explains how to use the Stimulus Editor to create time-based input.
- [Chapter 11, “Parametric and temperature analysis,”](#) describes how to set up parametric and temperature analyses, and how to run post-simulation performance analysis in Probe on the results of these analyses.
- [Chapter 13, “Monte Carlo and sensitivity \(worst-case\) analyses,”](#) describes how to set up Monte Carlo and sensitivity/worst-case analyses for statistical interpretation of your circuit’s behavior.
- [Chapter 14, “Digital simulation,”](#) describes how to set up a digital simulation analysis on either a digital-only or mixed-signal circuit.
- [Chapter 15, “Mixed analog/digital simulation,”](#) explains how PSpice processes the analog and digital interfaces in mixed-signal circuits.
- [Chapter 16, “Digital worst-case timing analysis,”](#) describes how PSpice performs digital worst-case timing analysis and the kinds of hazards that this analysis can help you detect.

PSpice User Guide
Part three: Setting up and running analyses

Setting up analyses and starting simulation

Chapter overview

This chapter provides an overview of setting up analyses and starting simulation that applies to any analysis type. The other chapters in [Part three: Setting up and running analyses](#) provide specific analysis setup information for each analysis type.

This chapter includes the following sections:

- [Analysis types](#) on page 420
- [Setting up analyses](#) on page 421
- [Performance package](#) on page 435
- [Starting a simulation](#) on page 437
- [Interacting with a simulation](#)
- [Using the Simulation Manager](#)

Analysis types

PSpice¹ supports analyses that can simulate analog-only, mixed-signal, and digital-only circuits.

PSpice fully supports digital analysis by simulating the timing behavior of digital devices within a standard transient analysis, including worst-case (min/max) timing. For mixed analog/digital circuits, all of the above-mentioned analyses can be run. If the circuit is digital-only, only the transient analysis can be run.

Table 8-1 provides a summary of the available PSpice analyses and the corresponding Analysis type options where the analysis parameters are specified. In design entry tool², switch to the PSpice view, then from the PSpice menu, choose New Simulation Profile.

Table 8-1 Classes of PSpice analyses

Analysis	Analysis type or Option	Swept variable
Standard analyses		
DC sweep	DC Sweep	source parameter temperature
Bias point	Bias Point	
Small-signal DC transfer	Bias Point	
DC sensitivity	Bias Point	
Frequency response	AC Sweep/Noise	frequency
Noise (requires a frequency response analysis)	AC Sweep/Noise	frequency
Transient response	Time Domain (Transient)	time

1. Depending on the license available, you will access either PSpice or PSpice Simulator.
2. In this guide, design entry tool is used for both OrCAD Capture and Design Entry HDL. Any differences between the two tools is mentioned, if necessary.

Table 8-1 Classes of PSpice analyses, *continued*

Analysis	Analysis type or Option	Swept variable
Fourier (requires transient response analysis)	Time Domain (Transient)	time
Simple multi-run analyses		
Parametric	Parametric Sweep	
Temperature	Temperature (Sweep)	
Statistical analyses		
Monte Carlo	Monte Carlo/ Worst Case	
Sensitivity/worst-case	Monte Carlo/ Worst Case	

The waveform analyzer calculates and displays the results of PSpice simulations for swept analyses. The waveform analyzer also generates supplementary analysis information in the form of lists and tables, and saves this in the simulation output file.

See [Part four: Viewing results](#), for information about using waveform analysis in PSpice.

Setting up analyses

Specific information for setting up each type of analysis is discussed in the following chapters.

Note: The PSpice Simulator menu items are not enabled by default in Design Entry HDL. To enable the menu items, choose *PSpice Simulator–Enable PSpice Simulation*.

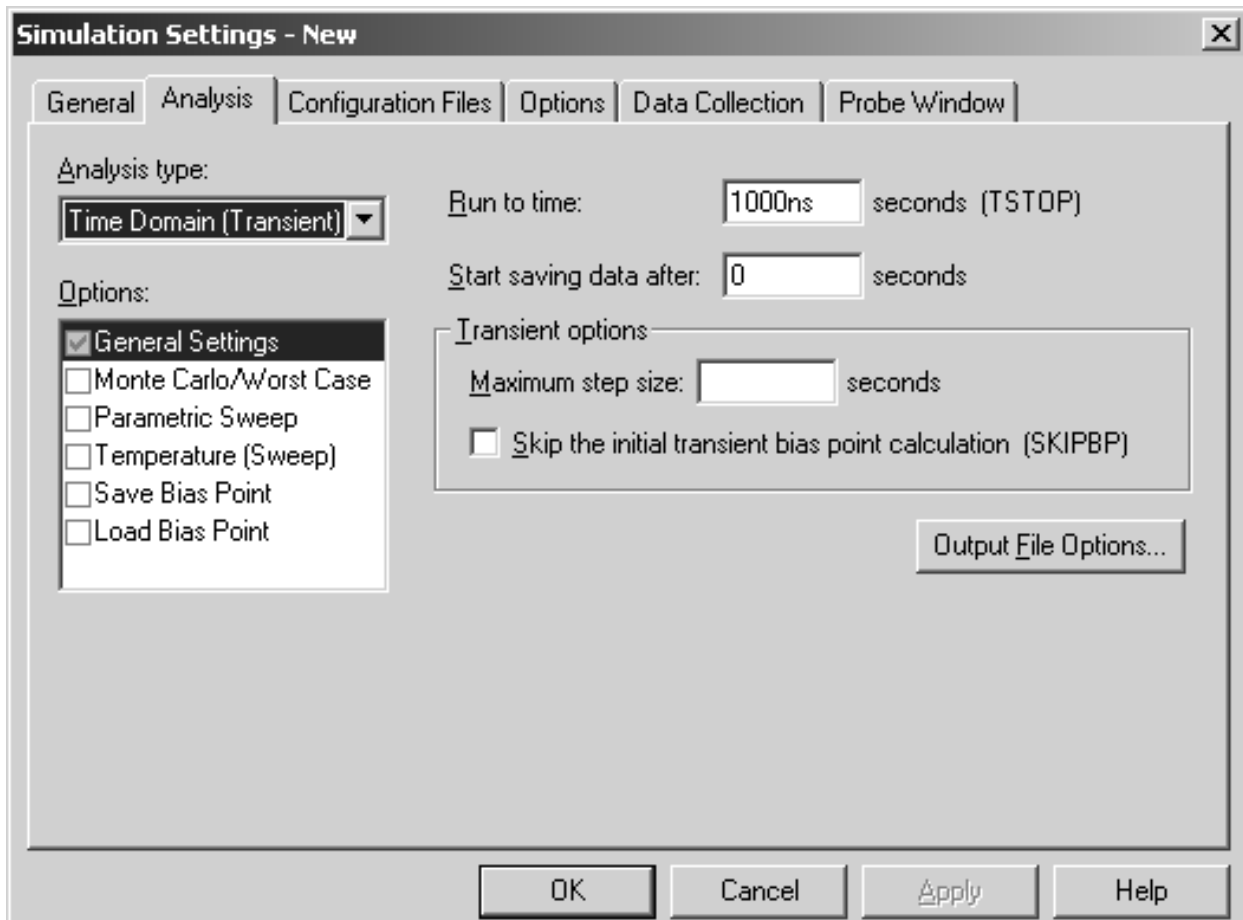
To set up one or more analyses

1. From the PSpice menu, choose New Simulation Profile.

PSpice User Guide

Setting up analyses and starting simulation

2. Enter the name of the profile and click Create.
3. Click the Analysis tab if it is not already the active tab in the dialog box.



4. Enter the necessary parameter values and select the appropriate check boxes to complete the analysis specifications.

See [Output variables](#) on page 424 for a description of the output variables that can be entered in the Simulation Settings dialog box displayed for an analysis type.

5. Set up any other analyses you want to perform for the circuit by selecting any of the remaining analysis types and options, then complete their setup dialog boxes.

Specific information for setting up each type of analysis is discussed in the following chapters.

Order for standard analyses

For normal simulations that are run from a simulation profile, or in batch mode, only the particular analysis type that is specified will be run.

During simulation of a circuit file, the analysis types are performed in the order shown in Table 8-2. Each type of analysis is conducted only once per run.

Several of the analyses (small-signal transfer, DC sensitivity, and frequency response) depend upon the bias point calculation. Because so many analyses use the bias point, PSpice calculates this automatically. PSpice's bias point calculation computes initial states of digital components as well as the analog components.

Table 8-2 Order for standard analysis

1. DC sweep
 2. Bias point
 3. Frequency response
 4. Noise
 5. DC sensitivity
 6. Small-signal DC transfer
 7. Transient response
 8. Fourier components
-

Output variables

Certain analyses (such as noise, Monte Carlo, sensitivity/worst-case, DC sensitivity, Fourier, and small-signal DC transfer function) require you to specify output variables for voltages and currents at specific points on the schematic. Depending upon the analysis type, you may need to specify the following:

- Voltage on a net, a pin, or at a terminal of a semiconductor device
- Current through a part or into a terminal of a semiconductor device
- A device name

If output variables or other information are required, select Output File Options in the Monte Carlo/Worst Case dialog box and enter the required parameters.

Voltage

Specify voltage in the following format:

$v[\textit{modifiers}](\langle out id \rangle[, \langle out id \rangle])$ (1)

where $\langle out id \rangle$ is:

$\langle net id \rangle$ or $\langle pin id \rangle$ (2)

$\langle net id \rangle$ is a fully qualified net name (3)

$\langle pin id \rangle$ is $\langle fully qualified device name \rangle : \langle pin name \rangle$ (4)

A fully qualified net name (as referred to in line 3 above) is formed by prefixing the visible net name (from a label applied to one of the segments of a wire or bus, or an offpage port connected to the net) with the full hierarchical path, separated by periods. At the top level of hierarchy, this is just the visible name.

A fully qualified device name (from line 4 above) is distinguished by specifying the full hierarchical path followed by the device's part reference, separated by period characters. For example, a resistor with part reference R34 inside part Y1 placed on a top-level

schematic page is referred to as Y1.R34 when used in an output variable.

A *<pin id>* (from line 4) is uniquely distinguished by specifying the full part name (as described above) followed by a colon, and the pin name. For example, the pins on a capacitor with reference designator C31 placed on a top-level page and pin names 1 and 2 would be identified as C31:1 and C31:2, respectively.

Current

Specify current in the following format:

i[modifiers](<out device>[:modifiers])

where *<out device>* is a fully qualified device name.

Modifiers

The basic syntax for output variables can be modified to indicate terminals of semiconductors and AC specifications. The modifiers come before *<out id>* or *<out device>*. Or, when specifying terminals (such as source or drain), the modifier is the pin name contained in *<out id>*, or is appended to *<out device>* separated by a colon.

Modifiers can be specified as follows:

- For voltage:

v[AC suffix](<out id>[, out id])
v[terminal](<out device>)*

- For current:

i[AC suffix](<out device>[:terminal])
i[terminal][AC suffix](<out device>)

where

<i>terminal</i>	specifies one or two terminals for devices with more than two terminals, such as D (drain), G (gate), S (source)
-----------------	--

PSpice User Guide

Setting up analyses and starting simulation

<i>AC suffix</i>	specifies the quantity to be reported for an AC analysis, such as M (magnitude), P (phase), G (group delay)
<i>out id</i>	specifies either the <i><net id></i> or <i><pin id></i> (<i><fully qualified device name>:<pin name></i>)
<i>out device</i>	specifies the <i><fully qualified device name></i>

These building blocks can be used for specifying output variables as shown in Table [8-3](#) (which summarizes the accepted output variable formats) and Tables [8-4](#) through [8-7](#) (which list valid elements for

PSpice User Guide

Setting up analyses and starting simulation

two-terminal, three- or four-terminal devices, transmission line devices, and AC specifications).

Table 8-3 PSpice output variable formats

Format	Meaning
V[ac](<i>< + out id ></i>)	voltage at <i>out id</i>
V[ac](<i>< +out id >, < - out id ></i>)	voltage across + and - <i>out id's</i>
V[ac](<i>< 2-terminal device out id ></i>)	voltage at a <i>2-terminal device out id</i>
V[ac](<i>< 3 or 4-terminal device out id ></i>) or V<x>[ac](<i>< 3 or 4-terminal out device ></i>)	voltage at non-grounded terminal <i>x</i> of a <i>3 or 4-terminal device</i>
V<x><y>[ac](<i>< 3 or 4-terminal out device ></i>)	voltage across terminals <i>x</i> and <i>y</i> of a <i>3 or 4-terminal device</i>
V[ac](<i>< transmission line out id ></i>) or V<z>[ac](<i>< transmission line out device ></i>)	voltage at one end <i>z</i> of a <i>transmission line device</i>
I[ac](<i>< 3 or 4-terminal out device >:<x></i>) or I<x>[ac](<i>< 3 or 4-terminal out device ></i>)	current through non-grounded terminal <i>x</i> of a <i>3 or 4-terminal out device</i>
I[ac](<i>< transmission line out device >:<z></i>) or I<z>[ac](<i>< 3 or 4-terminal out device ></i>)	current through one end <i>z</i> of a <i>transmission line out device</i>
<i>< DC sweep variable ></i>	voltage or current source name

Table 8-4 Element definitions for 2-terminal devices

Device type	<out id> or <out device> device indicator	Output variable examples
capacitor	C	V(CAP:1) I(CAP)
diode	D	V(D23:1) I(D23)
voltage-controlled voltage source	E	V(E14:1) I(E14)
current-controlled current source	F	V(F1:1) I(F1)
voltage-controlled current source	G	V(G2:1) I(G2)
current-controlled voltage source	H	V(HSOURCE:1) I(HSOURCE)
independent current source	I	V(IDRIV:+) I(IDRIV)
inductor	L	V(L1:1) I(L1)
resistor	R	V(RC1:1) I(RC1)
voltage-controlled switch	S	V(SWITCH:+) I(SWITCH)
independent voltage source	V	V(VSRC:+) I(VSRC)

Table 8-4 Element definitions for 2-terminal devices

Device type	<out id> or <out device> device indicator	Output variable examples
current-controlled switch	W	V(W22:-) I(W22)

Table 8-5 Element definitions for 3- or 4-terminal devices

Device type	<out id> or <out device> device indicator	<pin id>	Output variable examples
GaAs MESFET	B	D (Drain terminal)	V(B11:D)
		G (Gate terminal)	ID(B11)
		S (Source terminal)	
Junction FET	J	D (Drain terminal)	VG(JFET)
		G (Gate terminal)	I(JFET:G)
		S (Source terminal)	
MOSFET	M	B (Bulk, substrate terminal)	VDG(M1)
		D (Drain terminal)	ID(M1)
		G (Gate terminal)	
		S (Source terminal)	
bipolar transistor	Q	B (Base terminal)	V(Q1:B)
		C (Collector terminal)	I(Q1:C)
		E (Emitter terminal)	
		S (Source terminal)	
IGBT	Z	C (Collector terminal)	V(Z1:C)
		E (Emitter terminal)	I(Z1:C)
		G (Gate terminal)	

Table 8-6 Element definitions for transmission line devices

Device type	<i><out id></i> or <i><out device></i> device indicator	<i><z></i>	Output variable examples
transmission line	T	A (Port A)	V(T32:A+)
		B (Port B)	I(T32:B-)

Table 8-7 Element definitions for AC analysis specific elements

<i><ac suffix></i> device symbol	Meaning	Output variable examples
(none)	magnitude (default)	V(V1) I(V1)
M	magnitude	VM(CAP1:1) IM(CAP1:1)
DB	magnitude in decibels	VDB(R1)
P	phase	IP(R1)
R	real part	VR(R1)
I	imaginary part	VI(R1)

The INOISE, ONOISE, DB(INOISE), and DB(ONOISE) output variables are predefined for use with noise (AC sweep) analysis.

Setting AutoConvergence

You can suggest relaxed limits for various options used for simulation. The PSpice engine can select one or more of the options with relaxed limits and change their values during the simulation to converge it.

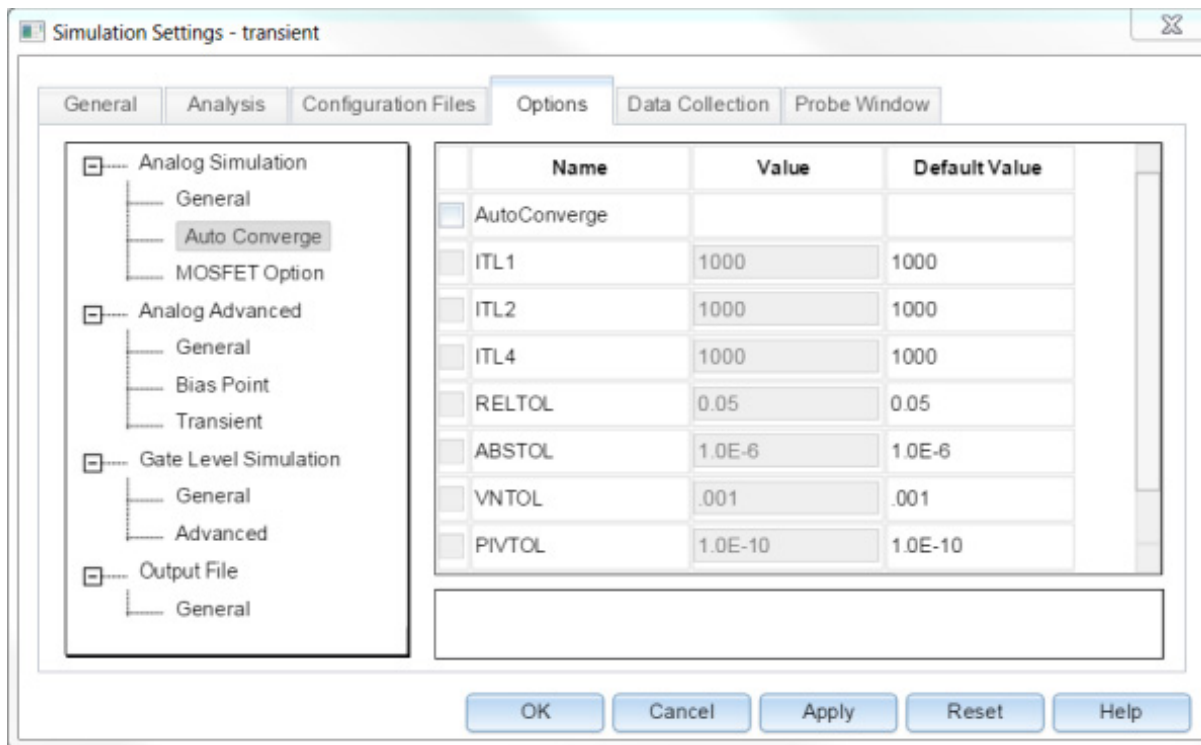
For a quick overview of the AutoConvergence feature, view the multimedia demonstration [Using AutoConvergence](#).

To set the relaxed limits and specify autoconvergence:

PSpice User Guide

Setting up analyses and starting simulation

1. From the Options tab of the Simulation Settings dialog box, click the Analog Simulation tree structure.



2. Select the AutoConverge option.
3. You can check the options for which you want to set relaxed limit and specify the limit value. For example, if the DC bias bind and iteration limit (ITL1) is set to 150, you can relax the value to 1000.

Note: Although you can select any number of options, PSpice Engine decides what options to be changed during simulation.



You cannot specify a value that is less relaxed than the normal limit. For example, if the limit for ITL1 is set to 150, you cannot specify 120 as the relaxed limit.

4. You can select the *Restart* option to pause PSpice if convergence is not achieved at the end of the simulation time.

Note: *Restart* is selected by default.

5. Click OK.

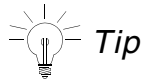
Note: You can click Reset to change limits to the default values.

When you run the simulation with AutoConvergence set, PSpice initially runs using the normal values for the specified simulation time. However, if the simulation does not converge, PSpice changes the values within the relaxed limit for the parameters selected in the *Autoconvergence* Option.

Note: *Autoconverge* can also be set from the PSpice Runtime Settings dialog box. Where, you can also set *Enable Advanced Convergence Algorithms*.

If convergence is not achieved at the end of the complete run, PSpice starts simulation with an initial relaxed value if you the *Restart* option is selected.

Note: PSpice also changes the minimum time step size during a simulation to achieve convergence. Although PSpice starts with the default minimum time step size, it can heuristically decide on a smaller time during the simulation.

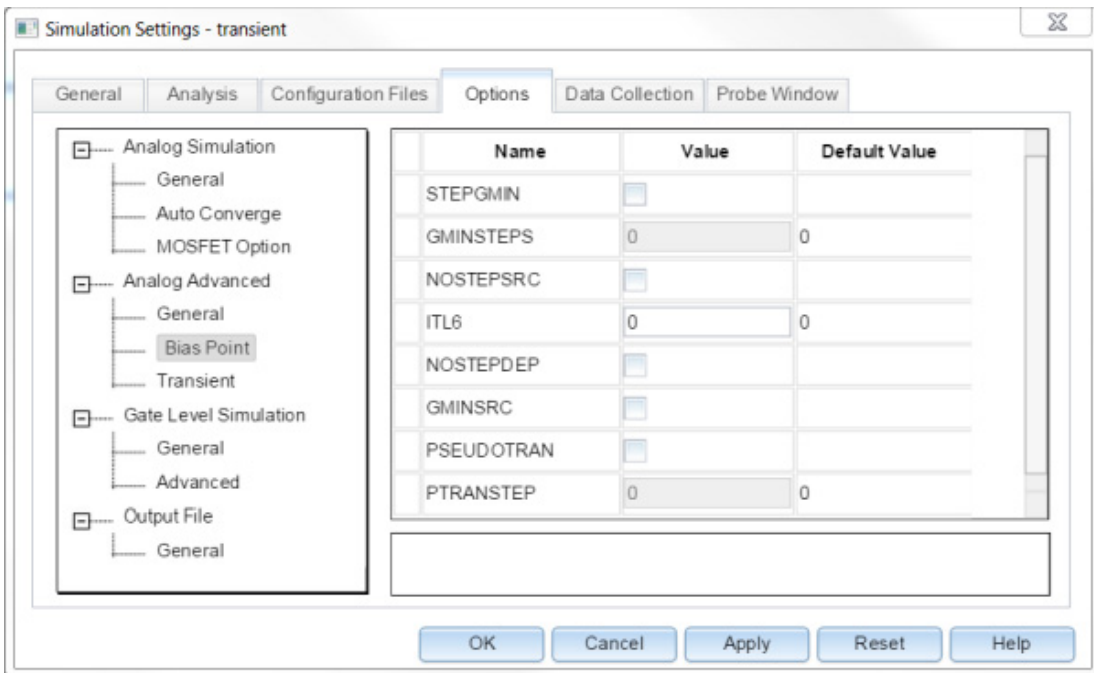
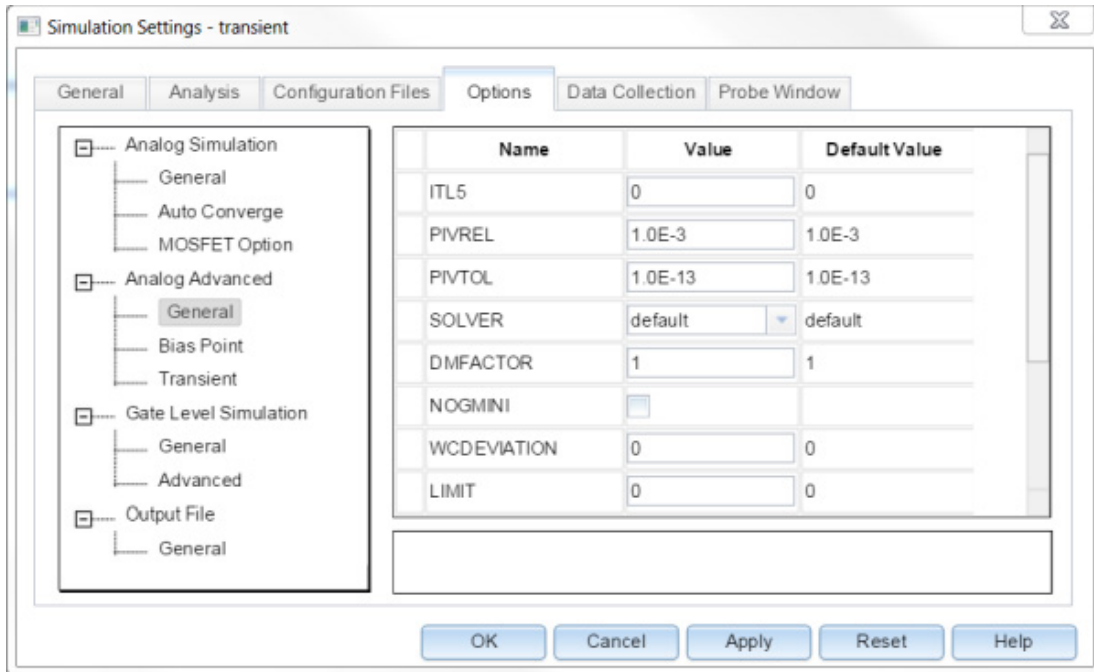


You can specify the relative factor by which the minimum time step size is changed by setting the value of Relative factor for minimum delta (DMFACTOR) in the General node of the Advanced Analog tree structure. You can set any value that is a factor of 10 and is less than or equal to 1, such as .1, .001, or .0001. For example, if the default value of the minimum time step size is 10^{-18} , you can specify DMFACTOR as .1. This will result in a minimum time step of 10^{-19} .

PSpice User Guide

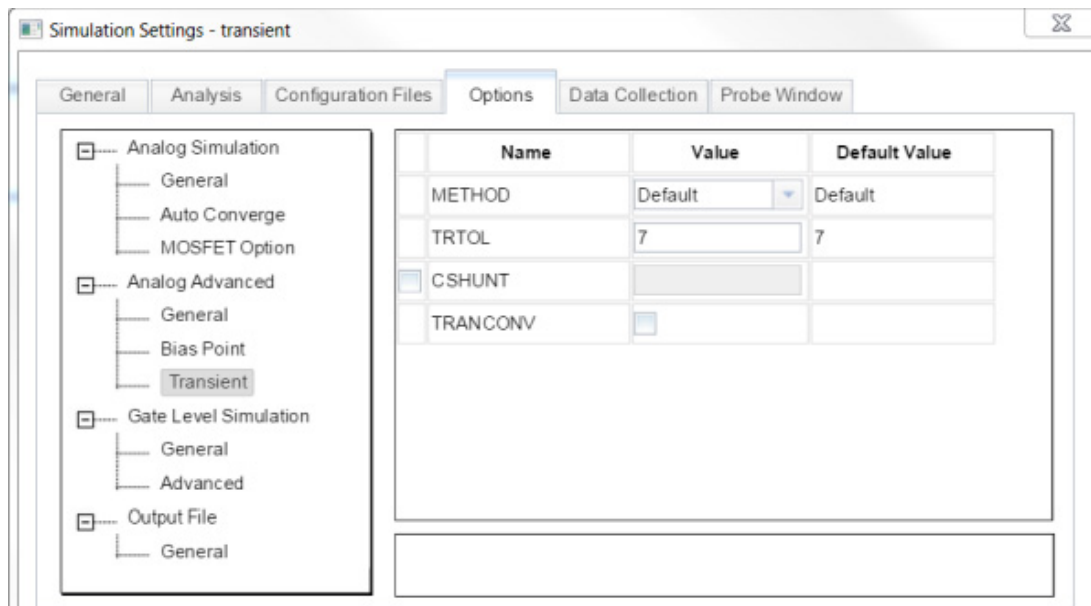
Setting up analyses and starting simulation

Using Advanced Analog Options



PSpice User Guide

Setting up analyses and starting simulation



You can use the Analog Advanced tree structure to set various Analog simulation parameters, which are useful to:

- Improve convergence for both bias point and transient analyses
- Assist debugging of convergence failure by printing simulation data
- Improve performance and remove overflow errors
- Control simulation parameters
- Improve accuracy of simulation results

The Analog Advanced tree structure displays default values for all the options and on checking some flag options - such as DIODERS, CSHUNT, BJTCJ, and DIODECJO, recommended values are also displayed.

Note: You can access Advanced Analog Options from the Options tab of the Simulation Settings dialog box.

Performance package

PSpice includes two solution algorithms: Solver 0 and Solver 1.

PSpice User Guide

Setting up analyses and starting simulation

To choose a solver setting

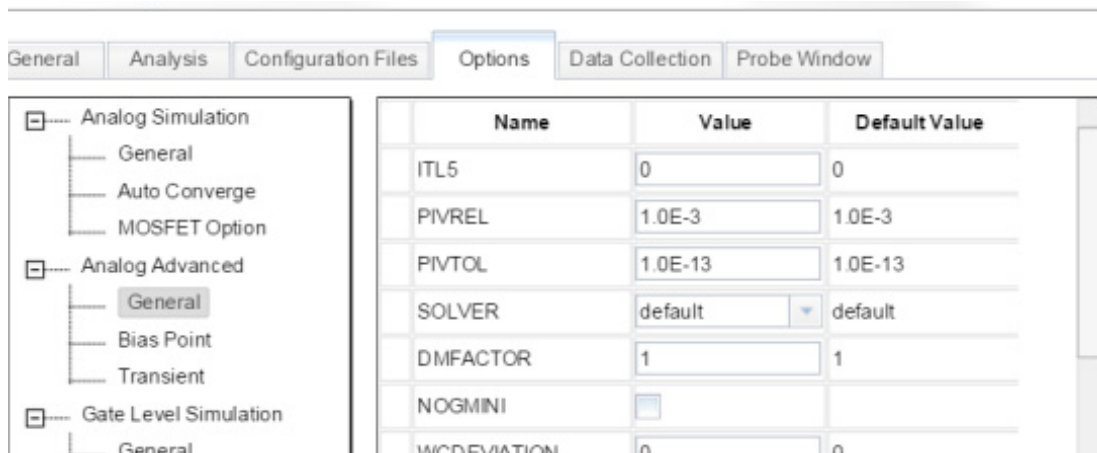
1. From the design entry tool's PSpice menu, choose *Edit Simulation Profile*.

or

From the PSpice Simulation menu, choose *Edit Profile*.

The Simulation Settings dialog box appears.

2. Click the Options tab, then click the *Analog Advanced* tree structure.
3. Select the General option in the Analog Advanced tree.



4. In the Solver drop-down list, select one of the following choices:

- 0 - the PSpice simulation engine uses the original PSpice solution algorithm.
- 1 - the PSpice simulation engine uses an advanced solution algorithm that provides significant speed improvements. This is default selection.

Solver 1 is particularly useful for larger MOS and bipolar circuits with substantial runtimes.

5. Click OK to close the Options dialog box.

See the online *PSpice Reference Guide* for .OPTIONS statements that use SOLVER to specify a solution algorithm.

Starting a simulation

After you have used a design entry tool to enter your circuit design and have set up the analyses to be performed, you can start a simulation by choosing Run from the PSpice menu. When you enter and set up your circuit this way, the design entry tool automatically generates the simulation files and starts PSpice.

There may be situations, however, when you want to run PSpice outside of any design entry tool. You may want to simulate a circuit that was not created in Capture or Design Entry HDL, for example, or you may want to run simulations of multiple circuits in batch mode.

This section includes the following:

- [Creating a simulation netlist](#) on page 437
- [Starting a simulation from a Design Entry Tool](#) on page 450
- [Starting a simulation outside of Design Entry Tool](#) on page 450
- [Setting up batch simulations](#) on page 451
- [The PSpice simulation window](#) on page 452

Creating a simulation netlist

A netlist is the connectivity description of a circuit, showing all of the components, their interconnections, and their values. When you create a simulation netlist from a design entry tool, that netlist describes the current design.

You have a choice between two types of netlist formats:

- a flat netlist
- a hierarchical netlist

Note: You can create only hierarchical netlists for Design Entry HDL.

The flat netlist is generated for all levels of hierarchy, starting from the top, regardless of whether you are pushed into any level of the hierarchy. Flat netlists are most commonly used as input to PCB layout tools. The flat simulation netlist format for PSpice¹ contains device entries for all parts on a subcircuit (child) schematic multiple times, once for each instance of the hierarchical part or block used.

The hierarchical netlist preserves the hierarchical information in any subcircuit (child) schematics. It contains a single .SUBCKT definition for each child schematic. The devices in the subcircuit are therefore netlisted only once. Each instance of the hierarchical part or block is then netlisted as an instance of that subcircuit (as an “X” device). The subcircuit name corresponds to the name of the subcircuit (child) schematic. Hierarchical netlists are especially useful to IC designers who want to perform Layout vs. Schematic (LVS) verification because they are more accurate descriptions of the true circuit. The hierarchical netlist format supports LVS tools such as Dracula.

Using netlisting templates

In OrCAD Capture and Design Entry HDL, the PSPICETEMPLATE property specifies how primitive parts are described in the simulation netlist. It defines the pin order and which other part property values to include in the netlist. Only parts with a PSPICETEMPLATE property are included in the simulation. In the process of creating the netlist, buses, connectors, and so on, are resolved.

An alternate template option is provided which allows you to define which netlisting template property to use. This option applies to both flat and hierarchical netlists. With this option, you may specify a particular netlist template for generating netlists that can be used by other simulation tools, for example, or for creating alternate PSpice netlists that contain different part descriptions.

To learn more about using alternate netlist templates, see [Specifying alternate netlist templates in Capture](#) on page 449.

Running PSpice Netlister in Design Entry HDL

When you run the PSpice netlister in Design Entry HDL, the \$PSPICE_LOCATION attribute is added to the components in addition to the \$LOCATION attribute. To view \$PSPICE_LOCATION, select the *Display PSpice Names* option of the *PSpice Simulator* menu.

-
1. Depending on the license available, you will access either PSpice or PSpice Simulator.

Note: The `$PSPICE_LOCATION` property is not passed to the board and the Packager flow does not write the `$PSPICE_LOCATION` attribute. Therefore, the simulation flow remains intact.

The PSpice netlister makes intelligent decisions to create the attributes, under the following conditions:

New Design

If you run PSpice netlister in a new design, PSpice netlister generates both `$LOCATION` and `$PSPICE_LOCATION`.

Split Part

PSpice netlister combines the different sections of a split part and netlists them as a single instance based on the `SPLIT_INST` and `LOCATION` properties. The value of `SPLIT_INST` needs to be `TRUE` for a section to be recognized as belonging to a split part. The value of `LOCATION` identifies the sections belonging to one split part. Alternatively, the property `SPLIT_INST_NAME` can be used in place of the two properties `SPLIT_INST` and `LOCATION`. All sections of a split part needs to have the same value for `SPLIT_INST_NAME` if this property is used.

A requirement for netlister to be successful in recognizing split parts is that all sections should be in the same hierarchy level. However, the sections can be spread across different pages at the same level. In addition, the `PSPICETEMPLATE` property of each section must have the pins for all the sections of the split part.

The following conditions can result in either warning or an error:

- If `PSPICETEMPLATE` is missing from any of the sections, netlist is not created and an error message is displayed.
- If `PSPICETEMPLATE` has different values for the sections of a split part, netlist is not created and an error message is displayed.
- If one or more sections of the split part are missing, the pins of the missing part are treated as unconnected and a warning message is displayed.

- If one or more sections of a split part are instantiated more than one time, netlist is not created and an error message is displayed. This error is flagged only if the `sec` property from `symbol.css` has the same value for one or more parts of different instances.

Packaged Design

If you open a packaged design and run PSpice netlister, it will copy the `$LOCATION` values if they are unique and the `RefDes` prefix are same. If the prefix for `RefDes` for both `$PSPICE_LOCATION` and `$LOCATION` are different and the values do not exist, PSpice netlister will use the same prefix for both `$LOCATION` and `$PSPICE_LOCATION`. However, if the prefixes are same and the `$LOCATION` attributes are not unique, an error will be generated.

The following tables shows sample values of `$LOCATION` and `$PSPICE_LOCATION` when PSpice netlister is run.

Condition	\$PSPICE_LOCATION Example	\$LOCATION Example
Values do not exist and prefixes are same, C	C1	C1
Values do not exist and prefixes are different, say X and C	X1	C1
LOCATION value exists and prefixes are X and C	X1	C1
LOCATION value exists and prefixes are same, C	C1	C1



Caution
If you set the user-defined prefix for net to off and make changes to the schematic, the PSpice names might change.

Passing parameters to subcircuits

Hierarchical netlists have the advantage of allowing parameters to be passed from the top level schematic to any subcircuit schematics. To take advantage of this feature, you must use the new SUBPARAM part in the SPECIAL.OLB library in Capture and you must use the VHDL_DECS part in the STANDARD library in Design Entry HDL.

Note: Hierarchical netlists do not support cross-probing from a subcircuit, nor do they support probe markers in a subcircuit.

With the SUBPARAM part in Capture or the VHDL_DECS part in Design Entry HDL, you can pass parameters from the top-level schematic to a subcircuit schematic. This allows you to explicitly define the properties and default values to be used during netlisting and simulation.

To set up parameter passing to a subcircuit using SUBPARAM in Capture

1. Make the subcircuit your active schematic page in the Capture editor.
2. From the Place menu, choose the Part command.
3. Select the part SUBPARAM from the PSpice library SPECIAL.OLB and place it on the subcircuit.
4. With the SUBPARAM part still selected, from the Edit menu, choose Properties.

The Property Editor spreadsheet appears.

5. In the spreadsheet, define the names and default values for the properties that can be changed on an instance-by-instance basis.
6. In the top-level schematic, use the Property Editor spreadsheet to edit the properties of the hierarchical part or block that references the subcircuit (child) schematic so they match the properties you defined in Step 5.

To set up parameter passing to a subcircuit using VHDL_DECS

1. Make the subcircuit your active schematic page in Design Entry HDL.
2. From the Component menu, choose Add.
The Component Browser dialog box appears.
3. From the Library drop-down, select the STANDARD library.
4. From the Cells list, select the VHDL_DECS part and place it on the subcircuit.
5. From the Text menu, choose Attributes.
6. Click on the VHDL_DECS part to display the Attributes dialog box.
7. In the Attributes dialog box, define the names and default values for the properties that can be changed on an instance-by-instance basis. For example, to declare a parameter RFEEDBACK with the default value 1, do the following:
 - a. In the Name text box, type `RFEEDBACK`
 - b. In the Value text box, type `1 \PARAM`
8. In the top-level schematic, use the Attributes dialog box to edit the properties of the hierarchical part or block that references the subcircuit (child) schematic so they match the properties you defined in Step 7. Taking the example given in [step 7](#), edit the properties of a block in the top-level schematic that references the subcircuit as below:
 - a. In the Name text box, type `RFEEDBACK`
 - b. To pass a parameter value 10 to the subcircuit, in the Value text box, type `10 \PARAM`

Any part in the subcircuit (child) schematic can reference the properties in its PSPICETEMPLATE. For example, in Design Entry HDL, if you want to pass the value of parameter RFEEDBACK from the block in the top-level schematic to a resistor in the subcircuit, do the following:

1. Make the subcircuit your active schematic page in Design Entry HDL.

PSpice User Guide

Setting up analyses and starting simulation

2. From the Text menu, choose Attributes.
3. Click on the resistor to display the Attributes dialog box.
4. In the Value text box against the VALUE property, type {RFEEDBACK}.

The parameter value 10 specified on the block in the top-level schematic will be passed to the resistor. The VALUE property is referenced in the PSPICETEMPLATE property of the resistor as below:

```
R^@REFDES %1 %2 ?TOLERANCE|R^@REFDES | @VALUE  
?TOLERANCE|\n.model R^@REFDES RES R=1 DEV=@TOLERANCE%
```

The PSpice subcircuit mechanism supports parameterizing:

- constants specified on device statements
- model parameters
- expressions consisting of constants
- parameters
- functions

Creating the netlist

You can generate a simulation netlist in one of two ways:

- In capture, from Capture's Project Manager by using the Create Netlist command under the Tools menu. (If this is the first time you're creating a hierarchical netlist for this project, you can only use this method.)

- or -

- In both Capture and Design Entry HDL, directly from within the design entry tool itself by using the Create Netlist command under the PSpice menu. See [Running PSpice Netlister in Design Entry HDL](#) on page 438 for information about running PSpice netlister from Design Entry HDL.

During the netlist process, the design entry tool creates several files with different extensions: the .NET file contains the netlist; the .CIR file contains simulation commands; and the .ALS file contains alias information.

To create a flat netlist from Capture Project Manager

1. In the Capture Project manager, select the design file (.DSN) you want to netlist.
2. From the Tools menu, choose Create Netlist to display the Create Netlist dialog box.
3. Select the PSpice tab.
4. Under the Options frame, leave all the check boxes blank.
5. In the Netlist File text box, type a name for the output file, or click the Browse button to assign a filename.
6. If desired, click the View Output check box to display the netlist after it has been generated.
7. Click OK.

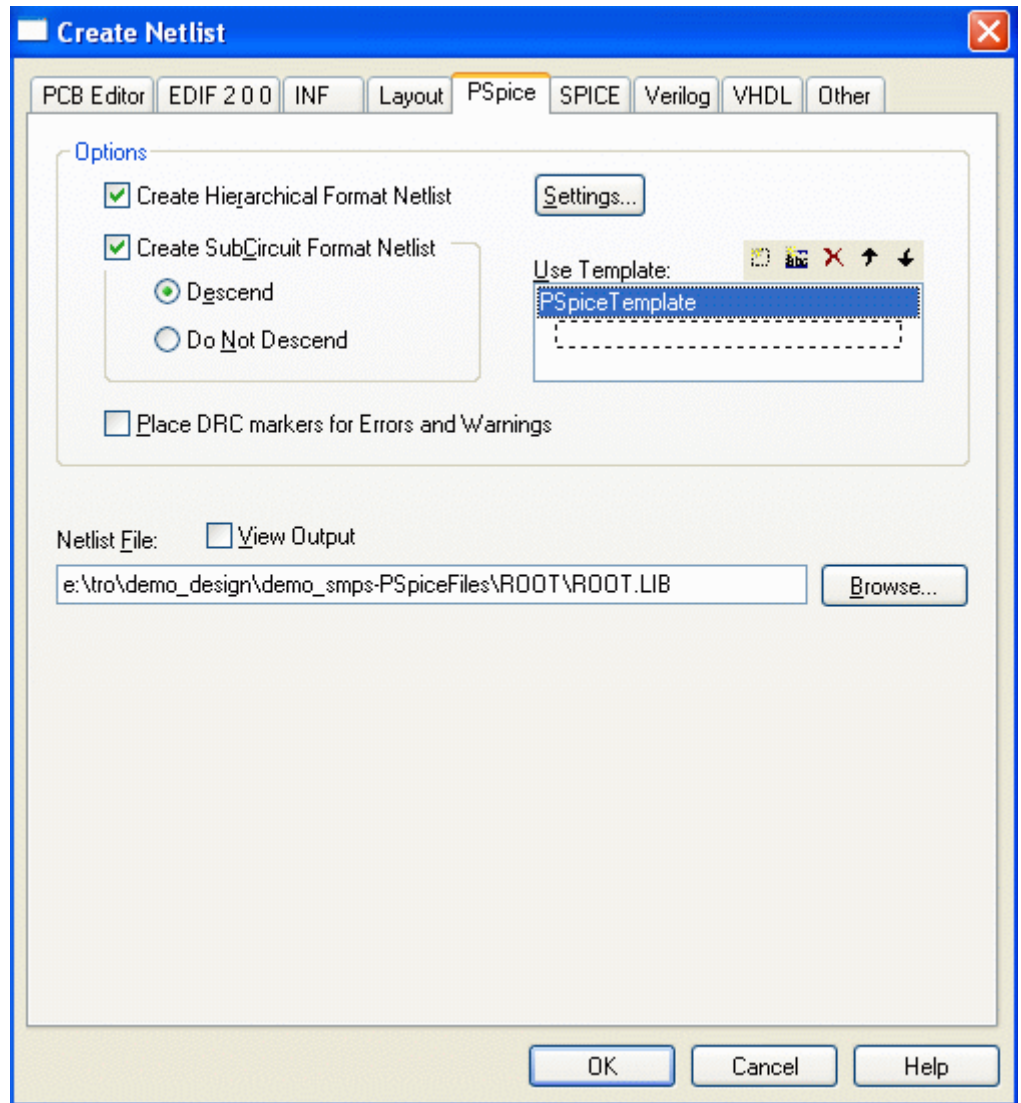
To create a hierarchical netlist from Capture Project Manager

1. In the Capture Project manager, select the design file (.DSN) you want to netlist.

PSpice User Guide

Setting up analyses and starting simulation

- From the Tools menu, choose Create Netlist to display the Create Netlist dialog box.



- Select the PSpice tab.
- Under the Options frame, click Create Hierarchical Format Netlist.
- Click Settings to customize the format of the hierarchical netlist (see [Customizing the hierarchical netlist in Capture](#) on page 446).

PSpice User Guide

Setting up analyses and starting simulation

6. Click Create Subcircuit Format Netlist to specify how subcircuits will be netlisted (see [Creating subcircuit netlists in Capture](#) on page 449).
7. In the Use Template list box, select the netlisting template(s) you wish to apply (see [Specifying alternate netlist templates in Capture](#) on page 449).
8. In the Netlist File text box, type a name for the output file, or click the Browse button to assign a filename.
9. If desired, click the View Output check box to display the netlist after it has been generated.
10. Click OK.

For more information on netlist formats, refer to OrCAD Capture's online help.

Customizing the hierarchical netlist in Capture

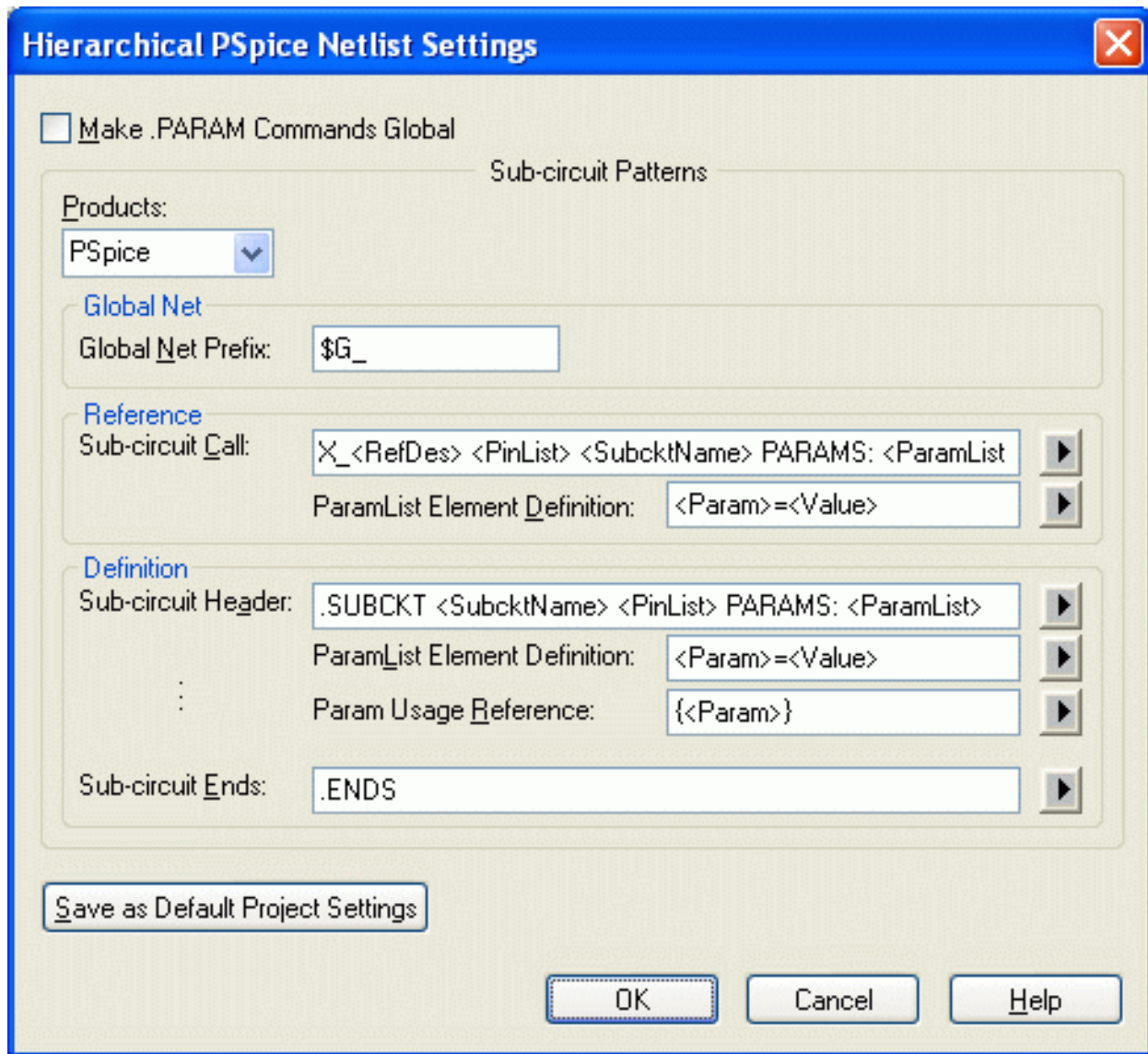
You can customize the hierarchical netlist by specifying various options using the Settings button in the Create Netlist dialog box. You can also customize the format of the subcircuit definition and reference text in the netlist. These settings, once defined, will apply to all subsequent PSpice netlists whether the netlist is invoked from the Tools menu in the Project Manager or directly from the schematic editor.

Two groups of settings are saved: PSpice and LVS. Having two groups makes it easy to switch between netlisting for PSpice and netlisting for an LVS compatible format. You can specify which group of settings is active for the netlister by using the Products list box.

Note: The settings you define are project specific. If you want to save the settings globally, click the Save as Default Project Settings button.

To customize the hierarchical netlist

1. In the PSpice tab of the Create Netlist dialog box, under the Options frame, click Create Hierarchical Format Netlist.



2. Click Settings, then enable or specify the following options, as desired:

- Make .PARAM Commands Global:** If this check box is enabled, any param parts in the design become global in scope. If it is disabled, the param parts are local to the subcircuit in which they occur.

PSpice User Guide

Setting up analyses and starting simulation

- Products: This list box specifies which group of settings is active for the netlister. Selecting a different group changes the Subcircuit Patterns frame to reflect the settings of the specified tool.
- Global Net Prefix: This text box allows you to define the syntax of the global net of a subcircuit.
- Reference frame
 - Subcircuit Call: This list box allows you to select the syntax of the subcircuit call using a modified TEMPLATE syntax.
 - ParamList Element Definition: This list box allows you to select the syntax of how parameters are passed from a reference to a part definition.
- Definition frame
 - Subcircuit Header: This list box allows you to select the syntax of the subcircuit header using a modified TEMPLATE syntax. If modified, you must make sure the definition header is consistent with the call.
 - ParamList Element Definition: This list box allows you to select the syntax of how parameters are passed from a reference to a part definition.
 - Param Usage Reference: This list box allows you to select the syntax used to enclose the parameters in references.
 - Subcircuit Ends: This list box allows you to select the syntax used for the termination of a subcircuit.
- Save as Project Default Settings: This button saves the current settings in the CAPTURE.INI file, and thereby makes the current settings the default settings for any new Capture projects.

3. Click OK.

For more detailed information about the syntax for these commands, and examples of how to use them, see the online *PSpice Reference Guide*.

Creating subcircuit netlists in Capture

You can specify how subcircuits in a hierarchical design are processed and defined in the simulation netlist.

To create a subcircuit format netlist

1. In the Capture Project manager, select the design file (.DSN) you want to netlist.
2. From the Tools menu, choose Create Netlist to display the Create Netlist dialog box.
3. Select the PSpice tab.
4. Under the Options frame, click Create Subcircuit Format Netlist, then click one of the following options, as desired:
 - Descend: This generates a definition of a hierarchical design that includes the top level circuit as well as its subcircuits. (This option is only available if Create Hierarchical Format Netlist is enabled.)
 - Do Not Descend: This generates a definition of a hierarchical design that includes only the top level circuit, without any of its subcircuits. (This option is only available if Create Hierarchical Format Netlist is enabled.)
 - Descend and Fully Expand: This generates a definition of a flat design. (This option is only available if Create Hierarchical Format Netlist is *not* enabled.)

Specifying alternate netlist templates in Capture

To specify an alternate netlist template

1. In the Capture Project manager, select the design file (.DSN) you want to netlist.
2. From the Tools menu, choose Create Netlist to display the Create Netlist dialog box.
3. Select the PSpice tab.

PSpice User Guide

Setting up analyses and starting simulation

4. In the Use Template list box, select the name of the template you want to use.

By default, the netlister will use the PSPICETEMPLATE. Alternate templates in the Use Template list box will be processed in the order in which they appear. The ordering of the templates is therefore important to the netlister and determines what the output will be.


Use the control buttons located directly above the Use Template list box to configure the list of templates. You can:

- Add a new template by clicking the New icon or by double-clicking in the dashed box at the beginning of the list.
- Delete a template by selecting the name and then clicking the Delete icon.
- Edit a template name by selecting the name and then clicking the Edit icon.
- Change the order of the listing (move a template up or down in the listing) by selecting the name and clicking the Up or Down arrows.

Note: Templates are not specific to either a flat or hierarchical netlist. The same template may be used for both types.

Starting a simulation from a Design Entry Tool

After you have set up the analyses for the circuit, you can start a simulation from design entry tool in either of the following ways:

- From the PSpice menu select Run.
- Click the Simulate button  on the PSpice toolbar.

Starting a simulation outside of Design Entry Tool

To start PSpice outside of Capture

1. From the Start menu, point to the installed release, then choose PSpice.
2. From the File menu, choose Open Simulation.

PSpice User Guide

Setting up analyses and starting simulation

3. Do one of the following:
 - Double-click on the simulation profile filename (* .SIM) in the list box.
 - Enter the simulation profile filename (* .SIM) in the File name text box and click Open.
4. From the Simulation menu, choose Edit Settings to modify any of the analysis setup parameters.
5. From the Simulation menu, choose Run (or click the Run toolbar button) to begin the simulation.

Setting up batch simulations

Multiple simulations can be run in batch mode when starting PSpice directly with circuit file input. You can use batch mode, for example, to run a number of simulations overnight. There are two ways to do this, as described below.

Multiple simulation setups within one circuit file

Multiple circuit/simulation descriptions can be concatenated into a single circuit file and simulated all at once with PSpice. Each circuit/simulation description in the file must begin with a title line and end with a .END statement.

The simulator reads all the circuits in the circuit file and then processes each one in sequence. The data file and simulation output file contain the outputs from each circuit in the same order as they appeared in the circuit file. The effect is the same as if you had run each circuit separately and then concatenated all of the outputs.

Running simulations with multiple circuit files

You can direct PSpice to simulate multiple circuit files using either of the following methods.

PSpice User Guide

Setting up analyses and starting simulation

Method 1

1. From the Start menu, point to the installed release, then choose PSpice.
2. Select Open Simulation from the File menu from the PSpice window.
3. Do one of the following:
 - Type each file name enclosed in double quotation marks in the File Name text box separated by a space.
 - Use the combination keystrokes and mouse clicks in the list box as follows: *Ctrl*+click to select file names one at a time, and *Shift*+click to select groups of files.

Method 2

1. From the Start menu, point to the installed release, then choose PSpice.
2. Update the command line in the following way:
 - Include a list of circuit file names separated by spaces.

Circuit file names can be fully qualified or can contain the wild card characters (* and ?).

The PSpice simulation window

The PSpice Simulation Window is an MDI (Multiple Document Interface) application. This implies that you can open and display multiple files at the same time in this window. For instance, you can have a waveform file (.DAT), a circuit file (.CIR), and a simulation output file (.OUT) open and displayed in different child windows within this one window.

The PSpice Simulation Window consists of three sections: the main window section where the open files are displayed, the output window section where output information such as informational, warning, and error messages from the simulator are shown, and the simulation status window section where detailed status information about the simulation are shown. These three sections are shown in [Figure 8-1](#).

The windows in these sections may be resized, moved, and reordered as needed.

The simulation window also includes a menu bar and toolbars for controlling the simulation and the waveform display.

Title bar

The title bar of the simulation window (the area at the top of the window) identifies the name of the currently open simulation (either simulation profile or circuit file) and the name of the currently active document displayed in the main window area. For example, the simulation window shown in Figure [8-1](#) indicates that simulation profile SCHEMATIC1-Transient is currently open and the active document displayed is Transient.DAT.

Menus and Toolbars

The menus accessed from the menu bar include commands to set up and control the simulator, customize the window display characteristics, and configure the way the waveforms are displayed.

PSpice User Guide

Setting up analyses and starting simulation

The toolbar buttons duplicate many of the more frequently used commands.

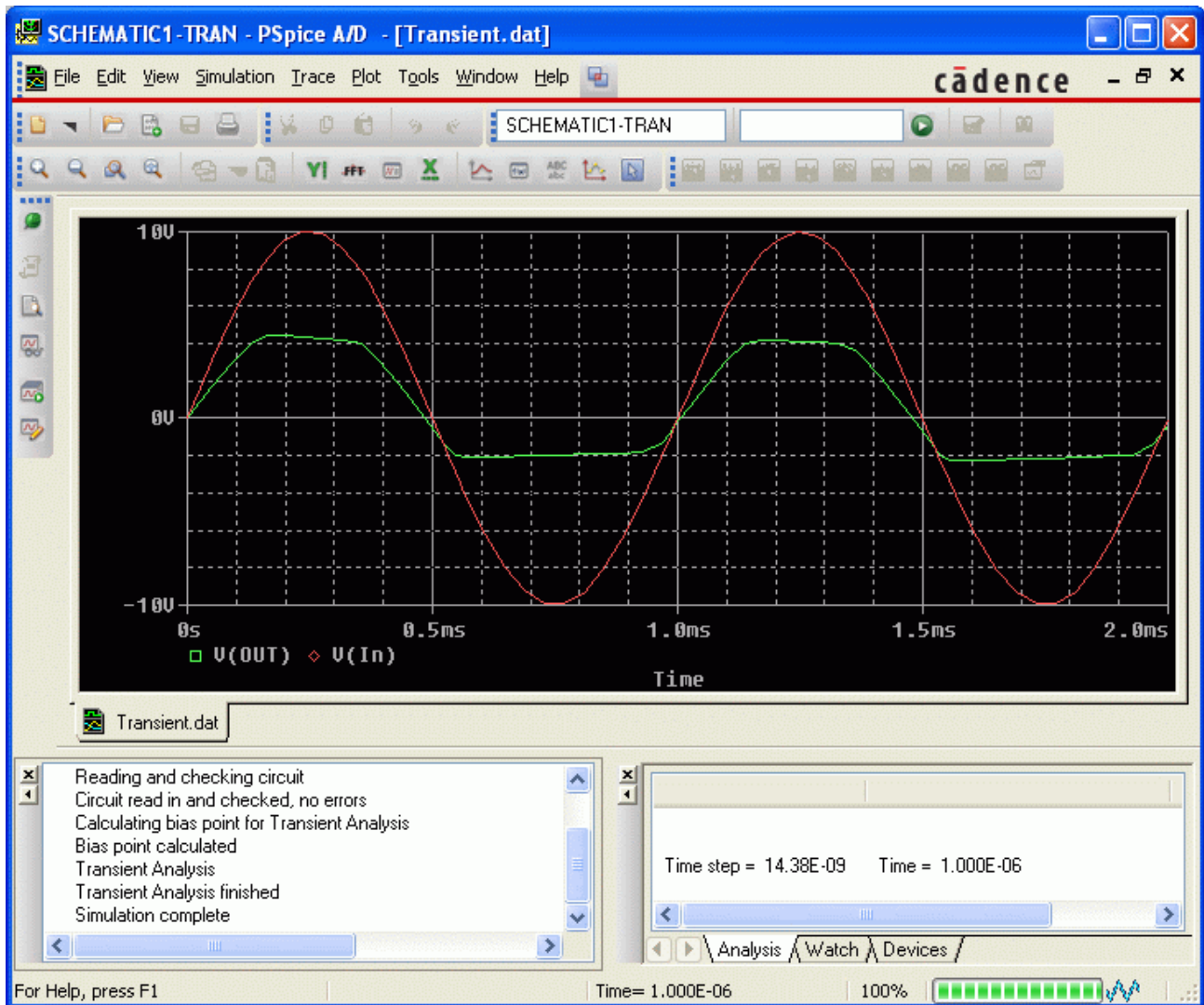


Figure 8-1 PSpice simulation window

Main window section

The top central portion (by default) of the simulation window is the main window section where documents (such as waveforms, circuit description, output information etc.) are displayed within child windows. These windows are tabbed by default. The tabs at the bottom left show the names of the documents that each child window

contains. Clicking on a tab brings that child window to the foreground. Figure [8-1](#) shows the tabbed document windows for Transient.DAT and Transient.OUT.

You can configure the display of these windows to suit your preferences and to make the analysis of the circuit quick and readily understandable. These windows can also be resized, moved, and reordered to suit your needs.

Output window section

The lower left portion of the simulation window provides a listing of the output from the simulation. It shows informational, warning, and error messages from the simulation. You can resize and relocate this window to make it easier to read.

Simulation status window section

The lower right portion of the simulation window presents a set of tabbed windows that show detailed status about the simulation. There are three tabbed windows in this section: the Analysis window, the Watch Variable window, and the Devices window. The Analysis window provides a running log of values of simulation variables (parameters such as Temperature, Time Step, and Time). The Watch Variable window displays watch variables and their values. These are the variables setup to be monitored during simulation. The Devices window displays the devices that are being simulated.

Interacting with a simulation

PSpice includes options for interacting with a simulation by changing certain runtime parameters in the course of the analysis. With the interactive simulation feature, you can do the following:

- Extend a transient analysis after TSTOP has been reached in order to achieve the desired results.
- Interrupt a bias or transient analysis, change certain runtime parameters, and then resume the simulation with the new settings.
- Schedule changes to certain runtime parameters so that they are made automatically during a simulation.

Note: The ability to interact with a simulation only applies to bias point and transient analyses. You cannot interact with other analysis types.

What the various versions of PSpice support

The following table identifies what interactive functionality is available with each version of PSpice.

PSpice version	Interactive simulation functionality
PSpice Lite	Extend transient analysis
PSpice	Extend transient analysis
PSpice	Interrupt a simulation, change parameters, and resume the simulation
	Schedule automatic changes to parameters during simulation

Extending a transient analysis

Often, a long transient analysis will run to the completion time (TSTOP) without achieving the desired simulation results (achieving a steady state, for instance). To achieve better results, the value for TSTOP would have to be increased and the entire simulation would have to be rerun from the beginning. This was time-consuming and inefficient for large simulations.

A transient analysis will automatically pause rather than stop when it reaches the TSTOP value. Once paused, you can review the results and determine if the simulation should run longer. If desired, you can increase the value of TSTOP and resume the transient analysis from the point at which it paused, thus saving a good deal of processing time.

Note: For more details about using TSTOP, see the online *PSpice Reference Guide*.

To help clarify under what conditions simulations will either be terminated or paused, the following table explains the different behaviors of PSpice for particular simulation scenarios:

Simulation scenario	Behavior of PSpice
Running a single transient simulation using a profile or a circuit file containing one circuit.	PSpice will pause after a successful simulation, or if a convergence error occurs, allowing you to change certain runtime parameters and resume the analysis.
Running a single AC/DC simulation using a profile or a circuit file containing one circuit.	PSpice will stop (terminate) after a successful simulation. -or- PSpice will pause if a convergence error occurs, allowing you to change certain runtime parameters and resume the analysis.

PSpice User Guide

Setting up analyses and starting simulation

Simulation scenario	Behavior of PSpice
Running a single simulation with a profile or a circuit file containing outer loops.	PSpice will stop (terminate) after a successful simulation, or if a convergence error occurs.
Running a queued simulation.	PSpice will stop (terminate) after a successful simulation, or if a convergence error occurs.
Launching a new simulation when another one is already active in PSpice.	If the old simulation has completed, PSpice will load the new simulation and run it. -or- If the old simulation is running or paused, PSpice will prompt you to choose whether to run the new simulation instead, place it in the queue or cancel it.

To extend a transient analysis

1. After you pause a transient analysis, click in the RunFor text box on the PSpice toolbar.



2. Enter a new value for TSTOP.
3. Click on the Run toolbar button to resume the simulation.

The simulation will resume from the point at which it last paused, and then run for the amount of time specified in the RunFor text box, at which point it will pause again.

Note: Each time you resume the simulation after changing TSTOP, the transient analysis will always pause when completed. In this way, you can continue extending the analysis indefinitely. If the simulation

is paused before TSTOP is reached, and you enter a value in the RunFor text box and click the Run toolbar button, PSpice will run for the time specified and then pause. If you click the Run button and if the total time has not yet reached TSTOP, PSpice will run until TSTOP. If you pause the simulation while it is in the middle of a RunFor operation and then resume the simulation, PSpice will complete the RunFor operation. If you click the Run button while the simulation is paused in the middle of a RunFor operation, PSpice will run until TSTOP is reached.

Interrupting a simulation

In PSpice, you have the ability to interrupt (pause) a simulation, change certain runtime parameters, and then resume the simulation from the point at which it was paused using the new parameters.

Note: The new parameters are temporary values and are not saved in the simulation profile. However, they are logged in the output file so that you can refer to them later.

When a simulation has been paused, you can change the following runtime parameters in the Edit Runtime Settings dialog box:

- RELTOL
- ABSTOL
- VNTOL
- GMIN
- TSTOP
- TMAX
- ITL1
- ITL2
- ITL4

Note: For more details about using these runtime parameters, see the online *PSpice Reference Guide*.

The PSpice Runtime Settings dialog box will appear automatically whenever a simulation fails to converge. (In such cases, the simulation will be paused automatically.) It will also appear if you attach PSpice to a simulation that was paused in the background. (For more information about managing background simulations, see [Using the Simulation Manager](#) on page 465.)

To interrupt a simulation and change parameters

1. In PSpice, from the Simulation menu, choose Edit Runtime Settings.

The PSpice Runtime Settings dialog box appears.

PSpice User Guide

Setting up analyses and starting simulation

2. If you want to use the original value for a particular parameter, click the Use Original Value check box for that parameter.

The original parameter values are derived from the simulation profile. By default, the Use Original Value check boxes are checked (enabled).

3. If you want to change one or more parameters, enter new values for each of the runtime parameters you want to change in the text boxes under the column Change To.

If a Change To text box is grayed out, uncheck the Use Original Value check box.

4. Click OK & Resume Simulation to resume the simulation with the new parameters.

Note: Simulation is an iterative process in which previous states are used to calculate the current state. When you change a value and resume simulation, the previous state calculated with the original value affects the current state. If you want the changed values to become default values, use the .options command in the profile.

Scheduling changes to runtime parameters

You may want to predefine a set of values for a parameter and schedule these values to take effect at various time intervals during a long simulation. For instance, you may want to use a smaller time step value during periods where the input stimulus changes rapidly, but otherwise use a larger value.

You can set up automatic changes to certain runtime parameters that will occur at scheduled times during a simulation. By scheduling the changes, you don't have to interrupt the simulation manually, and can even run it in a batch mode in the background.

The following runtime parameters can be changed at scheduled times during a simulation. Note that these only apply to transient analysis; you cannot interact with other analysis types.

- RELTOL
- ABSTOL
- VNTOL

- GMIN
- ITL4

Note: For more details about using these runtime parameters, see the online *PSpice Reference Guide*.

PSpice command syntax for scheduling parameter changes

You can schedule parameter changes by entering them either in the Maximum Step Size text box in the Simulation Profile or in a text file using the new expression SCHEDULE, and then including that file in the simulation profile settings.

The expression SCHEDULE is a piecewise constant function (from time x forward use y) and takes the form:

SCHEDULE($x_1, y_1, x_2, y_2 \dots x_n, y_n$)

where x is the time value, which must be $x \geq 0$, and y is the value of the associated parameter. You must include an entry for time = 0.

When used with the .OPTIONS command, the syntax is as follows:

```
.OPTIONS <Parameter Name>=  
{SCHEDULE(<time-value>, <parameter value>,  
<time-value>, <parameter value>, ...)}
```

For example,

```
.OPTIONS RELTOL={SCHEDULE( 0s,.001,2s,.005)}
```

indicates that RELTOL should have a value of 0.001 from time 0 up to time 2s, and a value of 0.005 from time 2s and beyond (that is: RELTOL=.001 for t , where $0 \leq t < 2s$, and RELTOL=.005 for t , where $t \geq 2s$).

To schedule changes to runtime parameters

1. Open a standard text editor (such as Notepad) and create a text file with the command syntax shown above, using the appropriate values for the different parameters.

PSpice User Guide

Setting up analyses and starting simulation

2. In Capture, open the design you want to simulate.
3. From the PSpice menu, choose Edit Simulation Profile.
The Simulation Settings dialog box appears.
4. Click on the Configuration Files tab
5. Click Include in the Category field to display the Include files list.
6. Under the Filename text box, enter the name of the text file you created in Step 1, or click the Browse button to locate the file and enter the full path and filename.
7. Click the Add to Design button to include the file as part of the circuit.
8. Click OK.

When you run the simulation, the scheduled parameter changes will be included as part of the circuit file and the simulation will run to completion automatically.

Setting Autoconvergence from the Runtime Settings Dialog Box

The RunTime Settings dialog box allows you to set autoconvergence options during a simulation run. From this dialog box, you can select:

- *Autoconvergence*
- *Enable Advanced Convergence Algorithms*

To enable autoconvergence:

1. Select *Autoconvergence*.
2. You can either use the default relaxed limits for parameters or click *Settings* and change the limits.

Note: Refer to [Setting AutoConvergence](#) on page 431 for information on the limits in autoconvergence.

To enable advanced convergence algorithms:

1. Select *Transient and Bias Point* options in the *Analog Advanced* tree structure of the *Options* tab.

PSpice User Guide

Setting up analyses and starting simulation

2. Set the options.

The screenshot shows the 'Options' tab of the PSpice simulation settings dialog. The left-hand tree view is expanded to 'Analog Advanced' > 'Bias Point'. The right-hand table lists the following options:

Name	Value	Default Value
STEPGMIN	<input type="checkbox"/>	
GMINSTEPS	0	0
NOSTEPSRC	<input type="checkbox"/>	
ITL6	0	0
NOSTEPDEP	<input type="checkbox"/>	
GMINSRC	<input type="checkbox"/>	
PSEUDOTRAN	<input type="checkbox"/>	
PTRANSTEP	0	0

The screenshot shows the 'Options' tab of the PSpice simulation settings dialog. The left-hand tree view is expanded to 'Analog Advanced' > 'Transient'. The right-hand table lists the following options:

Name	Value	Default Value
METHOD	Default	Default
TRTOL	7	7
CSHUNT	<input type="checkbox"/>	
TRANCONV	<input type="checkbox"/>	

The options are enabled according to the running simulation. For example, in the Bias Point mode, the GMIN, Source-stepping and Pseudo-Tran options are available, while in the Transient mode, the TRTOL and METHOD options are available.

Note: See [analog options](#) in *PSpice Reference Guide* for more information on the individual options.

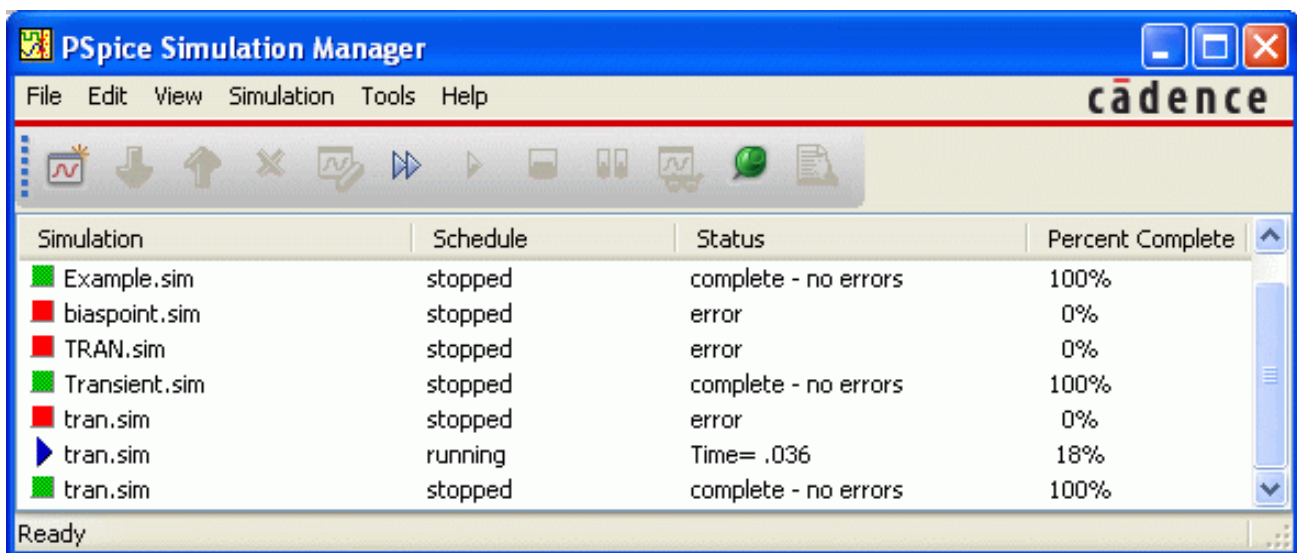
Using the Simulation Manager

Overview of the Simulation Manager

PSpice includes a new Simulation Manager that provides enhanced control over how multiple simulations are processed. You can preempt the current simulation to run another one first. Or, you can use the Simulation Manager to monitor the progress of a set of batch simulations that were set up and launched earlier.

Note: None of the earlier functionality of batch processing has been lost. For more information, see [Setting up batch simulations](#) on page 451.

The PSpice Simulation Manager provides a familiar, easy-to-use interface for controlling how multiple simulations are processed.



The Simulation Manager allows you to do the following:

- add or delete simulations
- start, stop or pause simulations
- rearrange the order of the simulations in the queue
- attach PSpice to a simulation to make it the active display

PSpice User Guide

Setting up analyses and starting simulation

- view the status and progress of simulations running in the background

You can accomplish most of these functions by selecting the desired simulation in the list, then clicking on the appropriate toolbar button to execute the command.

Note: For simulations that are queued in the Simulation Manager, the setting in the Simulation Profile to start Probe automatically is ignored. When a queued simulation runs to completion and finishes, it will not be loaded into Probe. You must do this manually if you want to see the results of that simulation.

Accessing the Simulation Manager

The Simulation Manager is invoked whenever you start a new simulation, either from PSpice or from a front-end design entry tool. Since it is active as long as a simulation is running in the background, you can also call up the Simulation Manager from the Windows system tray.

You can also launch the Simulation Manager by itself from the Windows Start menu. You do not need to have PSpice running in order to work with the Simulation Manager.

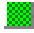



Understanding the information in the Simulation Manager

Every job listed in the Simulation Manager will have a specific entry for Schedule, Status and Percent Complete. In addition, certain color-coded icons are shown to the left of each simulation file name to indicate their current state. A quick glance over the list of jobs will tell you immediately where any particular job is and how it will be

PSpice User Guide

Setting up analyses and starting simulation

processed. The following tables explain the meanings of the various categories and states.

Icon	Explanation
	The simulation is either in the queue and has not been run yet, or has been run to completion.
	The simulation is currently running.
	The simulation has been paused and is on hold, waiting to either be continued or stopped.
	The simulation has been stopped and is not completed.

Schedule	Explanation
queued	The simulation is in the queue. It will be run in the order in which it is listed in the queue. (This is the default setting.)
running	The simulation is currently running and ongoing status information is displayed.
on hold	The simulation has been paused.
stopped	The simulation has been run completely, or was stopped because of an error.

Note: You must manually restart a stopped simulation if you want it to run again at a later time.

Status	Explanation
not run	The simulation has not been started yet. (This is the default setting.)

PSpice User Guide

Setting up analyses and starting simulation

<status>	Basic status information about the progress of the analysis will be displayed for a simulation that is currently running.
paused	The simulation has been paused either manually or automatically by the Simulation Manager. Note: If you change the default option that automatically resumes paused simulations in the queue, then you must remember to manually resume a paused simulation if you want it to continue at a later time.
complete – no errors	The simulation has run to completion and no errors were encountered.
errors	The simulation ran partially but stopped automatically because errors were encountered.

Percent	Explanation
---------	-------------

<%>	The percentage of completion for a simulation. This number increases as a simulation progresses.
-----	--

What the various versions of PSpice support

The following table identifies what functionality in the Simulation Manager is available with each version of PSpice.

PSpice version	Functionality of Simulation Manager
PSpice Lite	Only one simulation may be running or paused at a time. The queue is run sequentially.

PSpice User Guide

Setting up analyses and starting simulation

PSpice	One simulation may be running and multiple simulations may be paused.
PSpice	The queue is run sequentially.

How the Simulation Manager handles errors during simulation

Since each simulation that runs in the background runs independently, an error that occurs during one simulation will not prevent the remaining jobs in the queue from running subsequently, in order. The following common error conditions may arise, but these will not prevent the Simulation Manager from running the remaining simulations pending in the queue.

Simulation crash: If a simulation crashes for whatever reason, the Simulation Manager will stop receiving progress updates. After a certain period, the Simulation Manager will stop that simulation and will automatically start the next job in the queue.

Simulation pause: If a simulation pauses automatically and requires manual intervention to continue, the Simulation Manager will automatically start the next job in the queue.

Simulation stop: If a simulation stops automatically, the Simulation Manager will automatically start the next job in the queue.

Note: You must manually restart a stopped or paused simulation if you want it to run again at a later time. You will not be able to shut down the Simulation Manager until all stopped and paused simulations have been deleted.

Setting up multiple simulations

With the Simulation Manager, you can set up any number of batch simulations to be run sequentially in the background while you do other work in PSpice. Each new simulation that you set up will be added to the bottom of the simulation queue and will be assigned the schedule category “queued”. It will be run after all other queued jobs ahead of it have been run.

Once a job has been added, you can change its position in the queue, start, stop or pause it, or make other modifications to its status.

To add a simulation to the queue

1. From the File menu, choose Add Simulation or click the Add Simulation button on the toolbar.
2. Locate the file (.SIM, .CIR) you wish to add to the queue.

Alternately, you can add a simulation to the queue by starting the PSpice simulation directly from within the front-end tool you are using, such as OrCAD Capture.

Note: If one simulation is already running in the Simulation Manager and you start another one, you will be prompted to direct the Simulation Manager in how to proceed with the new simulation. For more information about the different ways to handle this situation, see [Setting options in the Simulation Manager](#) on page 471.

Starting, stopping, and pausing simulations

In the Simulation Manager, you can easily manage the various batch simulations in the queue. The most fundamental controls that are provided are the ability to start a simulation, stop it, or pause it temporarily.

To start a simulation from the Simulation Manager

1. Select a simulation in the list.
2. From the Simulation menu, choose Run or click the Run Selected button on the toolbar.

To stop a simulation from the Simulation Manager

1. Select the simulation that is currently running.
2. From the Simulation menu, choose Stop or click the Stop Selected button on the toolbar.

To pause a simulation from the Simulation Manager

1. Select the simulation that is currently running.
2. From the Simulation menu, choose Pause or click the Pause Selected button on the toolbar.

Attaching PSpice to a simulation

A simulation that is running in the Simulation Manager will not be loaded into PSpice or displayed in Probe while it is running. This allows you to work on a different design in the PSpice application while a simulation is running in the Simulation Manager.

Note: If you start a new simulation from within PSpice while another is running in the queue in the Simulation Manager, the Simulation Manager must decide how to treat the new job. You will be prompted to choose whether you want the new job to preempt the current simulation and start running immediately. For more details, click [Setting options in the Simulation Manager](#) on page 471.

If you want to display a different simulation in PSpice by choosing from the list of jobs in the Simulation Manager, you can attach PSpice to a particular job in the queue.

To attach PSpice to a simulation

1. Select the simulation you want to attach PSpice to.
2. From the View menu, choose Simulation Results.

The PSpice program will activate and the results of the simulation you selected will become the current display in Probe. If the simulation is currently running, you will be able to view the marching waveforms.

Setting options in the Simulation Manager

Each time you add a new simulation while another is running, the Simulation Manager must decide how to treat the new job. The default setting is to add the new simulation to the bottom of the queue and continue running whatever job is currently being simulated.

You can change this default so that the Simulation Manager will start each new simulation immediately and either stop or pause whatever job is currently running. The options you can choose from are explained in the procedure below.

You can also choose to have the Options dialog box display each time you add a new simulation, or not show this anymore. If you disable

PSpice User Guide

Setting up analyses and starting simulation

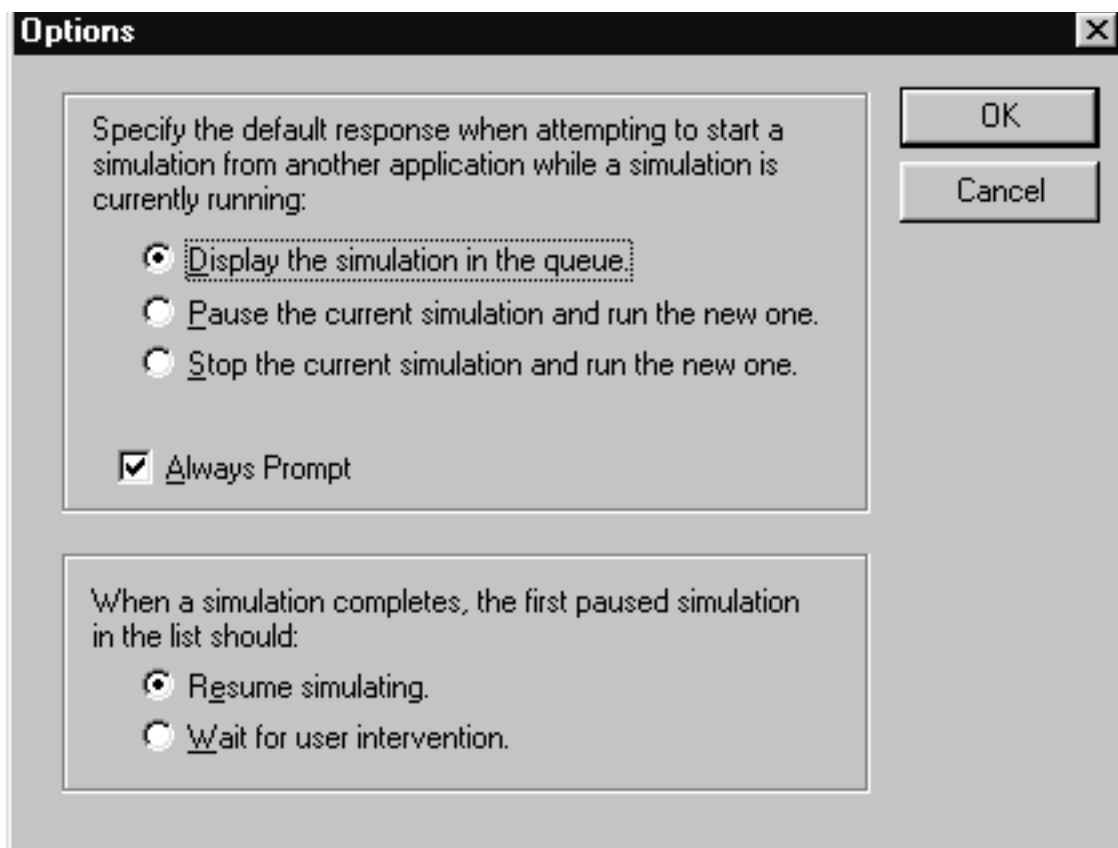
the prompting, you can always enable it again using the following procedure.

In addition, you can define how paused simulations should be handled by the Simulation Manager. You can configure them to be resumed automatically after the previous simulation stops, or you can choose to leave them in a paused state until you manually resume them.

To set the default options for the Simulation Manager

1. From the Tools menu, choose Options.

The Options dialog box appears.



2. In the top frame dealing with simulations that are already running, click the appropriate radio button for the option you wish to set.

Radio button	Function
--------------	----------

DC analyses

Chapter overview

This chapter describes how to set up DC analyses and includes the following sections:

- [DC Sweep](#) on page 474
- [Bias point](#) on page 485
- [Small-signal DC transfer](#) on page 487
- [DC sensitivity](#) on page 490

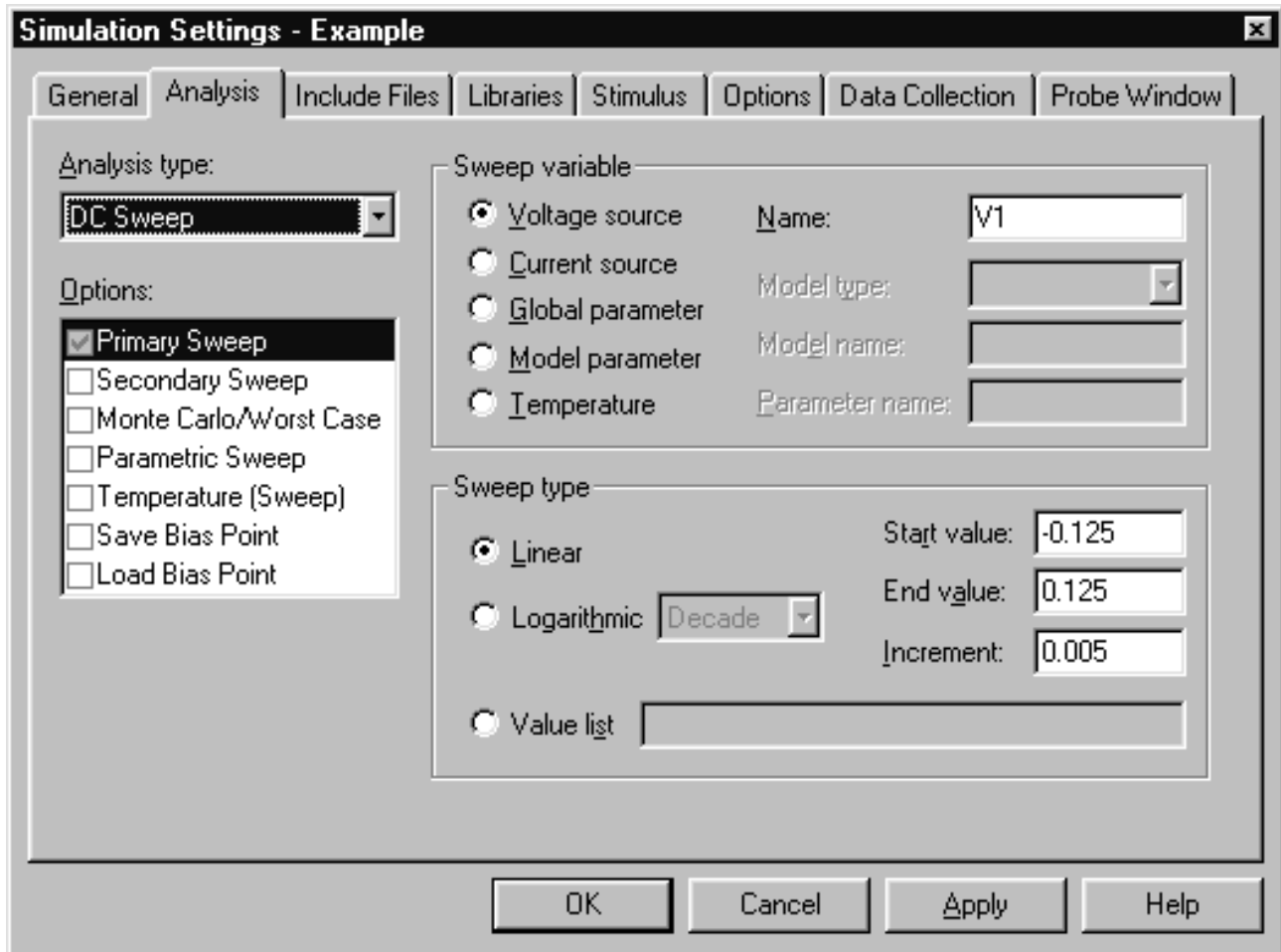
DC Sweep

Minimum requirements to run a DC sweep analysis

Minimum circuit design requirements

Swept variable type	Requirement
voltage source	voltage source with a DC specification (VDC, for example)
temperature	none
current source	current source with a DC specification (IDC, for example)
model parameter	PSpice A/D model (.MODEL)
global parameter	global parameter defined with a parameter block (.PARAM)

Minimum program setup requirements



1. In the design entry tool¹, select New Simulation Profile or Edit Simulation Profile from the PSpice menu. (If this is a new simulation, enter the name of the profile and click OK.)

The Simulation Settings dialog box appears.

2. Under Analysis type, select DC Sweep.
3. For the Primary Sweep option, enter the necessary parameter values and select the appropriate check boxes to complete the analysis specifications.

1. In this guide, design entry tool is used for both OrCAD Capture and Design Entry HDL. Any differences between the two tools is mentioned if necessary. Depending on the license available, you will access either PSpice or PSpice Simulator.

4. Click OK to save the simulation profile.
5. Select Run under the PSpice menu to start the simulation.

Note: Do not specify a DC sweep and a parametric analysis for the same variable.

Overview of DC sweep

The DC sweep analysis causes a DC sweep to be performed on the circuit. DC sweep allows you to sweep a source (voltage or current), a global parameter, a model parameter, or the temperature through a range of values. The bias point of the circuit is calculated for each value of the sweep. This is useful for finding the transfer function of an amplifier, the high and low thresholds of a logic gate, and so on.

For the DC sweep analysis specified in Figure 9-1, the voltage source V1 is swept from -0.125 volts to 0.125 volts by steps of 0.005. This means that the output has $(0.125 - (-0.125))/0.005 + 1 = 51$ steps or simulation points.

A source with a DC specification (such as VDC or IDC) must be used if the swept variable is to be a voltage type or current source. To set the DC value, select Properties from the Edit menu, then click on the cell under the DC column and type in its value.

The default DC value of V1 is overridden during the DC sweep analysis and is made to be the swept value. All of the other sources retain their values.

PSpice User Guide

DC analyses

After running the analysis, the simulation output file (EXAMPLE.OUT for the EXAMPLE.OPJ circuit in Figure 9-1) contains a table of voltages relating V1, node OUT1, and node OUT2.

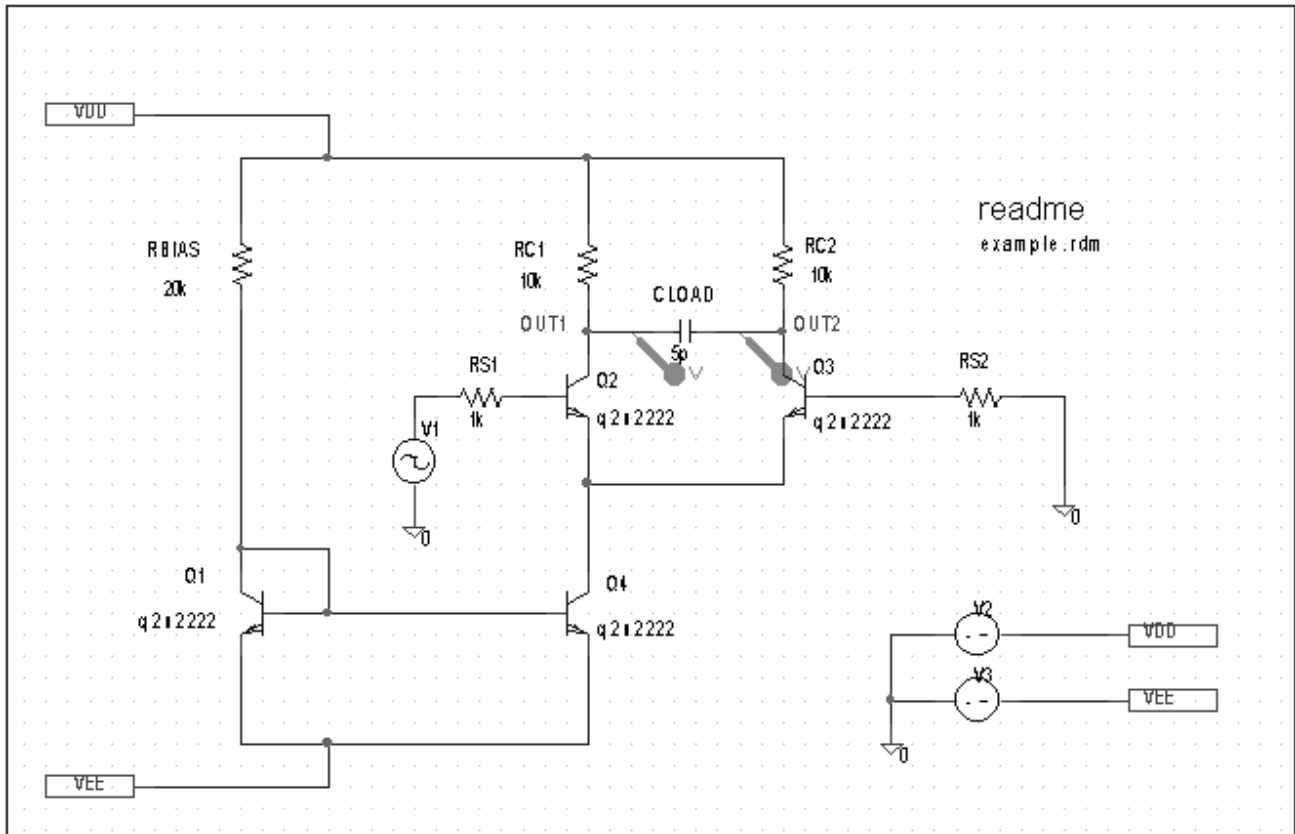


Figure 9-1 Example schematic EXAMPLE.OPJ.

Note: The example circuit EXAMPLE.OPJ is provided with the program installation.

To calculate the DC response of an analog circuit, PSpice removes time from the circuit. This is done by treating all capacitors as open circuits, all inductors as shorts, and using only the DC values of voltage and current sources. A similar approach is used for digital devices: all propagation delays are set to zero, and all stimulus generators are set to their time-zero values.

In order to solve the circuit equations, PSpice uses an iterative algorithm. For analog devices, the equations are continuous, and for digital devices, the equations are Boolean. If PSpice cannot get a self-consistent result after a certain number of iterations, the analog/

PSpice User Guide

DC analyses

digital devices are forced to the X value, and more iterations are done. Since X as input to a digital component gives X as output, the Boolean equations can always be solved this way.

If a digital node cannot be driven by known values during the DC iterations (for instance, the output of a flip-flop with the clock line held low), then its DC state will be X. Depending on the circuit, some, none, or all of the digital nodes may have the state X when the bias point is calculated.

Setting up a DC stimulus

To run a DC sweep or small-signal DC transfer analysis, you need to place and connect one or more independent sources and then set the DC voltage or current level for each source.

To set up a DC stimulus

1. Place and connect one of these symbols in your schematic:

Table 9-1

For voltage input	
Use this...	When you are running...
VDC	A DC Sweep and/or Bias Point (transfer function) analysis only.
VSRC	Multiple analysis types including DC Sweep and/or Bias Point (transfer function).

Table 9-2

For current input	
Use this...	When you are running...
IDC	A DC Sweep and/or Bias Point (transfer function) analysis only.
ISRC	Multiple analysis types including DC Sweep and/or Bias Point (transfer function).

2. Double-click the symbol instance to display the Parts spreadsheet appears.
3. Click in the cell under the DC column to edit its value.

PSpice User Guide

DC analyses

4. Define the DC specification as follows:

Table 9-3

Set this attribute...	To this value...
DC	<i>DC_level</i> where <i>DC_level</i> is in volts or amps (units are optional).

5. Click OK twice to exit the dialog boxes.

Note: If you are planning to run an AC or transient analysis in addition to a DC analysis, see the following:

- [Using time-based stimulus parts with AC and DC properties](#) on page 175 for other source symbols that you can use.
- [Using VSRC or ISRC parts](#) on page 176 to find out how to specify the TRAN attribute for a time-based input signal when using VSRC or ISRC symbols.

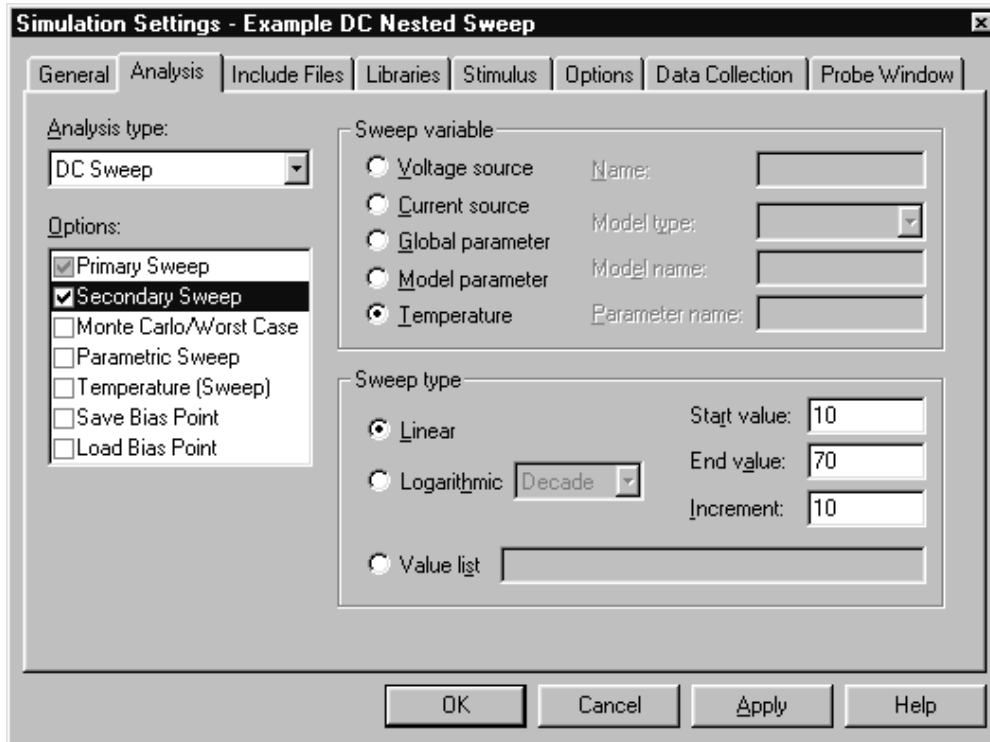
Nested DC sweeps

A second sweep variable can be selected after a primary sweep value has been specified in the DC Sweep dialog box. When you specify a secondary sweep variable, it forms the outer loop for the

PSpice User Guide

DC analyses

analysis. That is, for every increment of the second sweep variable, the first sweep variable is stepped through its entire range of values.



To set up a nested sweep

1. Under Options, select the Secondary Sweep box for the DC Sweep Analysis type.
2. Enter the necessary parameter values and select the appropriate check boxes to complete the analysis specifications.

Curve families for DC sweeps

When a nested DC sweep is performed, the entire curve family is displayed. That is, the nested DC sweep is treated as a single data section (or you can think of it as a single PSpice run).

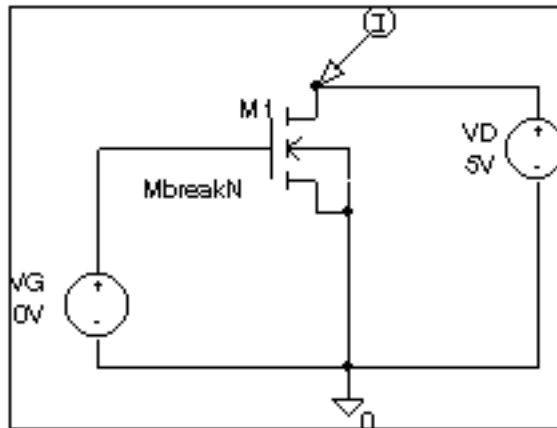


Figure 9-2

Curve family example schematic.

For the circuit shown in Figure 9-2, you can set up a DC sweep analysis with an outer sweep of the voltage source VG and an inner sweep of the voltage source VD as listed in Table 9-4.

Table 9-4 Curve family example setup

	Primary sweep	Secondary sweep
Swept Var Type	voltage source	voltage source
Sweep Type	linear	linear
Name	VD	VG
Start Value	0	0
End Value	5	2
Increment	0.1	0.5

PSpice User Guide

DC analyses

When the DC sweep analysis is run, add a current marker at the drain pin of M1 and display the simulation results in PSpice. The result will look like Figure 9-3.

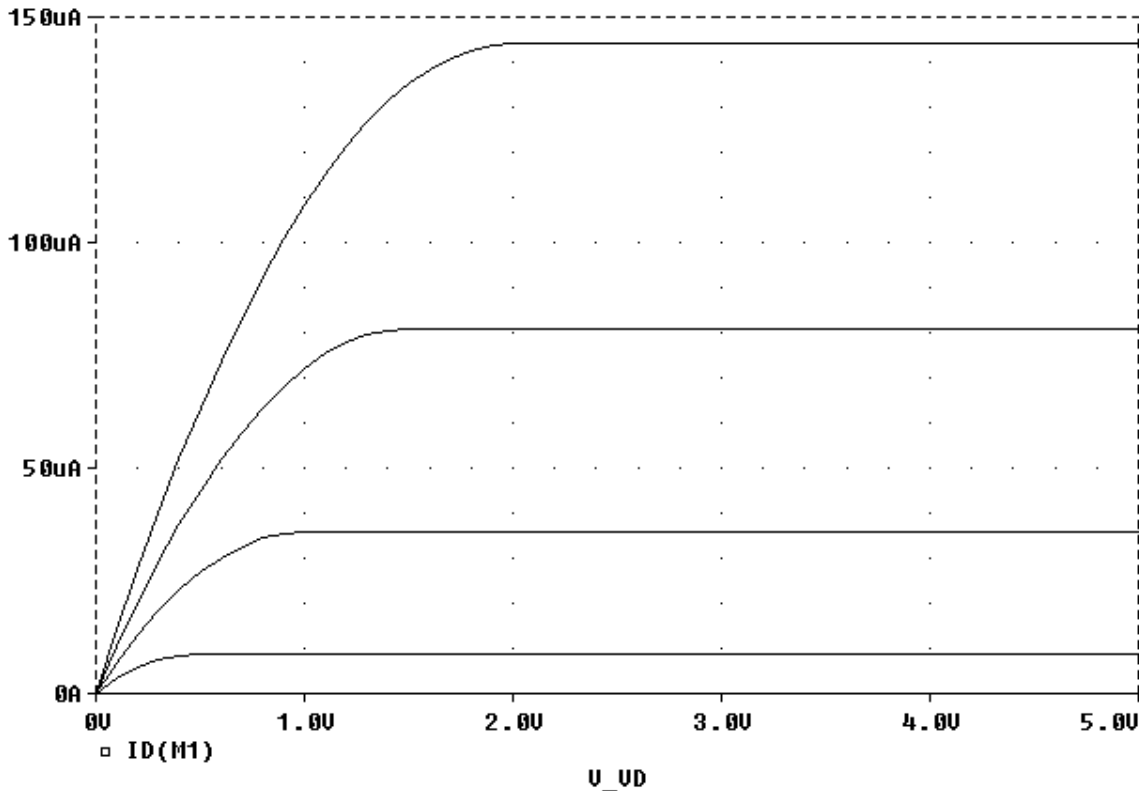


Figure 9-3 Device curve family.

Note: In Capture, from the PSpice menu, point to Markers, then choose Mark Current Into Pin to add a current marker.

To add a load line for a resistor, add a trace that computes the load line from the sweep voltage. Assume that the X axis variable is the sweep voltage V_VD, which runs from 0 to 5 volts. The expression which will add a trace that is the load line for a 50 kohm resistor is:

$$(5V-V_VD) / 50K$$

Note: V_VD is the hierarchical name for VD created by netlisting the schematic.

This can be useful for determining the bias point for each member of a curve family as shown in Figure 9-4.

PSpice User Guide

DC analyses

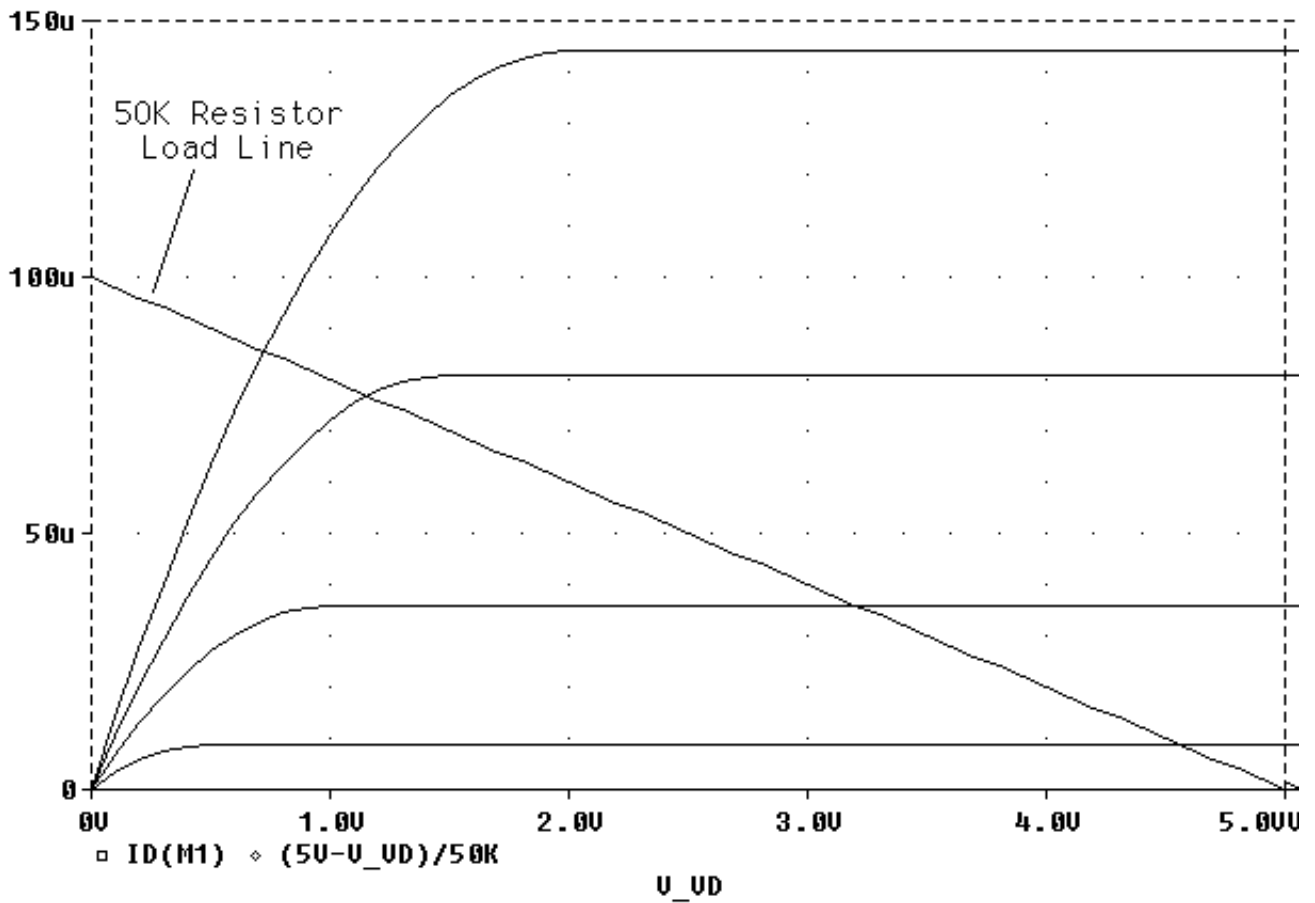


Figure 9-4 Operating point determination for each member of the curve family.

Bias point

Minimum requirements to run a bias point analysis

Minimum circuit design requirements

None.

Minimum program setup requirements

1. Under Analysis type in the Simulation Settings dialog box, select Bias Point.
2. For the General Settings option, enter the necessary parameter values and select the appropriate check boxes to complete the analysis specifications.
3. Click OK to save the simulation profile.
4. In Capture, from the PSpice menu, select Run to start the simulation.

Overview of bias point

The bias point is calculated for any analysis whether or not the Bias Point analysis is enabled in the Simulation Settings dialog box. However, additional information is reported when the Bias Point analysis is enabled. Also see [Save and load bias point](#) on page 844.

When Bias Point analysis is not enabled, only analog node voltages and digital node states are reported to the output file.

When the Bias Point analysis is enabled, the following information is reported to the output file:

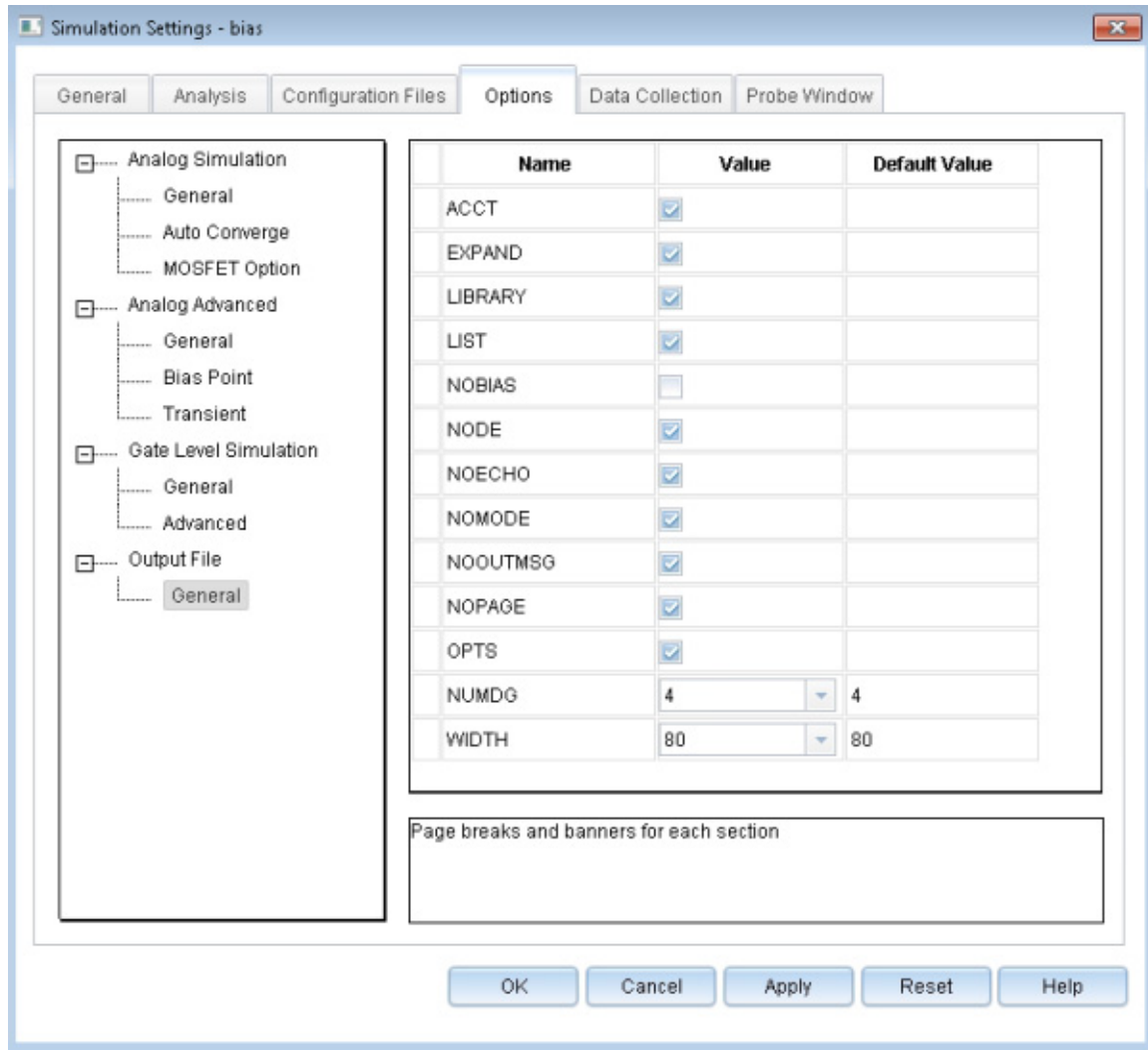
- a list of all analog node voltages
- a list of all digital node states
- the currents of all voltage sources and their total power
- a list of the small-signal parameters for all devices

PSpice User Guide

DC analyses

If Bias Point is enabled, you can suppress the reporting of the bias point analog and digital node values, as follows:

1. Under the Options tab in the Simulation Settings dialog box, select Output file in the Category box.
2. Uncheck the box for Bias point node voltages (NOBIAS).



Small-signal DC transfer

Minimum requirements to run a small-signal DC transfer analysis

Minimum circuit design requirements

- The circuit should contain an input source, such as VSRC.

Minimum program setup requirements

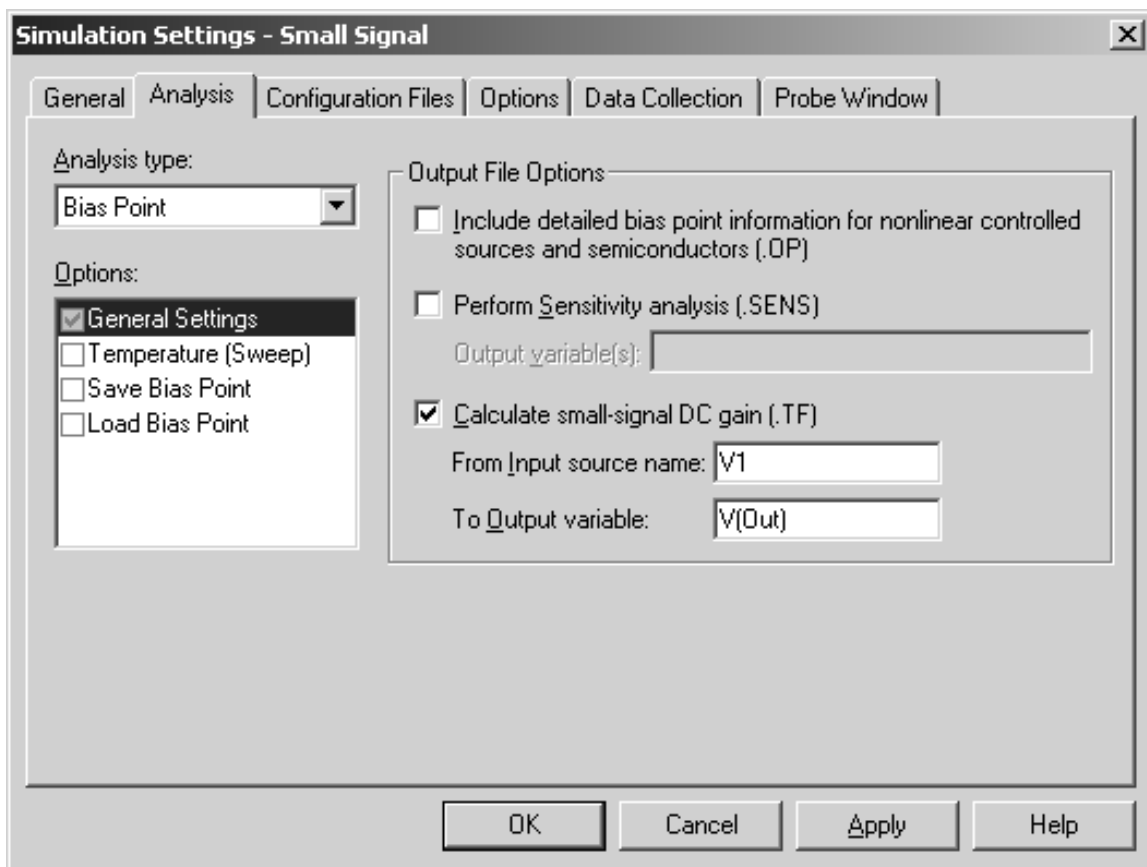
1. Under Analysis type in the Simulation Settings dialog box, select Bias Point.
2. Specify the name of the input source desired. See [Output variables](#) on page 426 for a description of output variable formats.
3. Click OK to save the simulation profile.
4. In Capture, from the PSpice menu, select Run to start the simulation.

Overview of small-signal DC transfer

The small-signal DC transfer analysis calculates the small-signal transfer function by transforming the circuit around the bias point and treating it as a linear circuit. The small-signal gain, input resistance, and output resistance are calculated and reported.

The digital devices themselves are not included in the small-signal analysis. A gate, for example, does not have a frequency response. Instead, all the digital devices hold the states that were calculated when solving for the bias point. However, for N and O devices in the analog/digital interface subcircuits, the analog side has a well-defined linear equivalent.

To calculate the small-signal gain, input resistance, and output resistance



PSpice User Guide

DC analyses

2. Specify the value for either an output voltage or the current through a voltage source in the To Output variable box.

For example, entering V(a,b) as the output variable specifies that the output variable is the output voltage between two nets, a and b. Entering I(VDRIV) as the output variable specifies that the output variable is the current through a voltage source VDRIV.

3. Specify the input source name in the Calculate small-signal DC gain (.TF) portion of the Bias Point dialog box.

The gain from the input source to the output variable is calculated along with the input and output resistances.

For example, if you enter V(OUT2) as the output variable and V1 as the input source, the input resistance for V1 is calculated, the output resistance for V(OUT2) is calculated, and the gain from V1 to V(OUT2) is calculated. All calculations are reported to the simulation output file.

DC sensitivity

Minimum requirements to run a DC sensitivity analysis

Minimum circuit design requirements

None.

Minimum program setup requirements

1. In the Bias Point dialog box, select Perform Sensitivity analysis (.SENS).
2. Enter the required value(s) in the Output variable(s) box.
3. Click OK to save the simulation profile. (Be sure you give the new profile an appropriate name under the General tab prior to saving.)
4. In Capture, from the PSpice menu, select Run to start the simulation.

Overview of DC sensitivity

DC sensitivity analysis calculates and reports the sensitivity of one node voltage to each device parameter for the following device types:

- resistors
- independent voltage and current sources
- voltage and current-controlled switches
- diodes
- bipolar transistors

The sensitivity is calculated by linearizing all devices around the bias point. Purely digital devices hold the states calculated when solving for the bias point as discussed in [Small-signal DC transfer](#) on page 487.

PSpice User Guide

DC analyses

AC analyses

Chapter overview

This chapter describes how to set up AC sweep and noise analyses.

- [AC sweep analysis](#) on page 494 describes how to set up an analysis to calculate the frequency response of your circuit. This section also discusses how to define an AC stimulus and how PSpice treats nonlinear devices in an AC sweep.
- [Noise analysis](#) on page 505 describes how to set up an analysis to calculate device noise contributions and total input and output noise.

AC sweep analysis

Setting up and running an AC sweep

The following procedure describes the minimum setup requirements for running an AC sweep analysis. For more detail on any step, go to the pages referenced in the sidebars.

To set up and run an AC sweep

1. Place and connect a voltage or current source with an AC input signal.

To find out how, see [Setting up an AC stimulus](#) on page 495.

2. From the PSpice menu, select New Simulation Profile or Edit Simulation Profile. (If this is a new simulation, enter the name of the profile and click OK.)

The Simulation Settings dialog box appears.

3. Choose AC Sweep/Noise in the Analysis type list box.
4. Specify the required parameters for the AC sweep or noise analysis you want to run.

To find out how, see [Setting up an AC analysis](#) on page 498.

5. Click OK to save the simulation profile.
6. From the PSpice menu, select Run to start the simulation.

What is AC sweep?

AC sweep is a frequency response analysis. PSpice calculates the small-signal response of the circuit to a combination of inputs by transforming it around the bias point and treating it as a linear circuit. Here are a few things to note:

- Nonlinear devices, such as voltage- or current-controlled switches, are transformed to linear circuits about their bias point value before PSpice runs the linear (small-signal) analysis. To find out more, see [How PSpice treats nonlinear devices](#) on page 502.

PSpice User Guide

AC analyses

- Digital devices hold the states that PSpice calculated when solving for the bias point.
- Because AC sweep analysis is a linear analysis, it only considers the gain and phase response of the circuit; it does not limit voltages or currents.

The best way to use AC sweep analysis is to set the source magnitude to one. This way, the measured output equals the gain, relative to the input source, at that output.

Setting up an AC stimulus

To run an AC sweep analysis, you need to place and connect one or more independent sources and then set the AC magnitude and phase for each source.

Note: Unlike DC sweep, the AC Sweep/Noise dialog box does not include an input source option. Instead, each independent source in your circuit contains its own AC specification for magnitude and phase.

To set up an AC stimulus

1. Place and connect one of these symbols in your schematic:

Table 10-1

For voltage input	
Use this...	When you are running...
VAC	An AC sweep analysis only.
VSRC	Multiple analysis types including AC sweep.

Table 10-2

For current input	
-------------------	--

PSpice User Guide

AC analyses

Table 10-2

Use this...	When you are running...
IAC	An AC sweep analysis only.
ISRC	Multiple analysis types including AC sweep.

If you are planning to run a DC or transient analysis in addition to an AC analysis, see [If you want to specify multiple stimulus types](#) on page 175 for additional information and source symbols that you can use.

2. Double-click the symbol instance to display the Parts spreadsheet.

PSpice User Guide

AC analyses

3. Click in the cell under the appropriate property column to edit its value. Depending on the source symbol that you placed, define the AC specification as follows:

Table 10-3

For VAC or IAC	
Set this property...	To this value...
ACMAG	AC magnitude in volts (for VAC) or amps (for IAC); units are optional.
ACPHASE	Optional AC phase in degrees.

Table 10-4

For VSRC or ISRC	
Set this property...	To this value...
AC	<i>Magnitude_value</i> [<i>phase_value</i>] where <i>magnitude_value</i> is in volts or amps (units are optional) and the optional <i>phase_value</i> is in degrees.

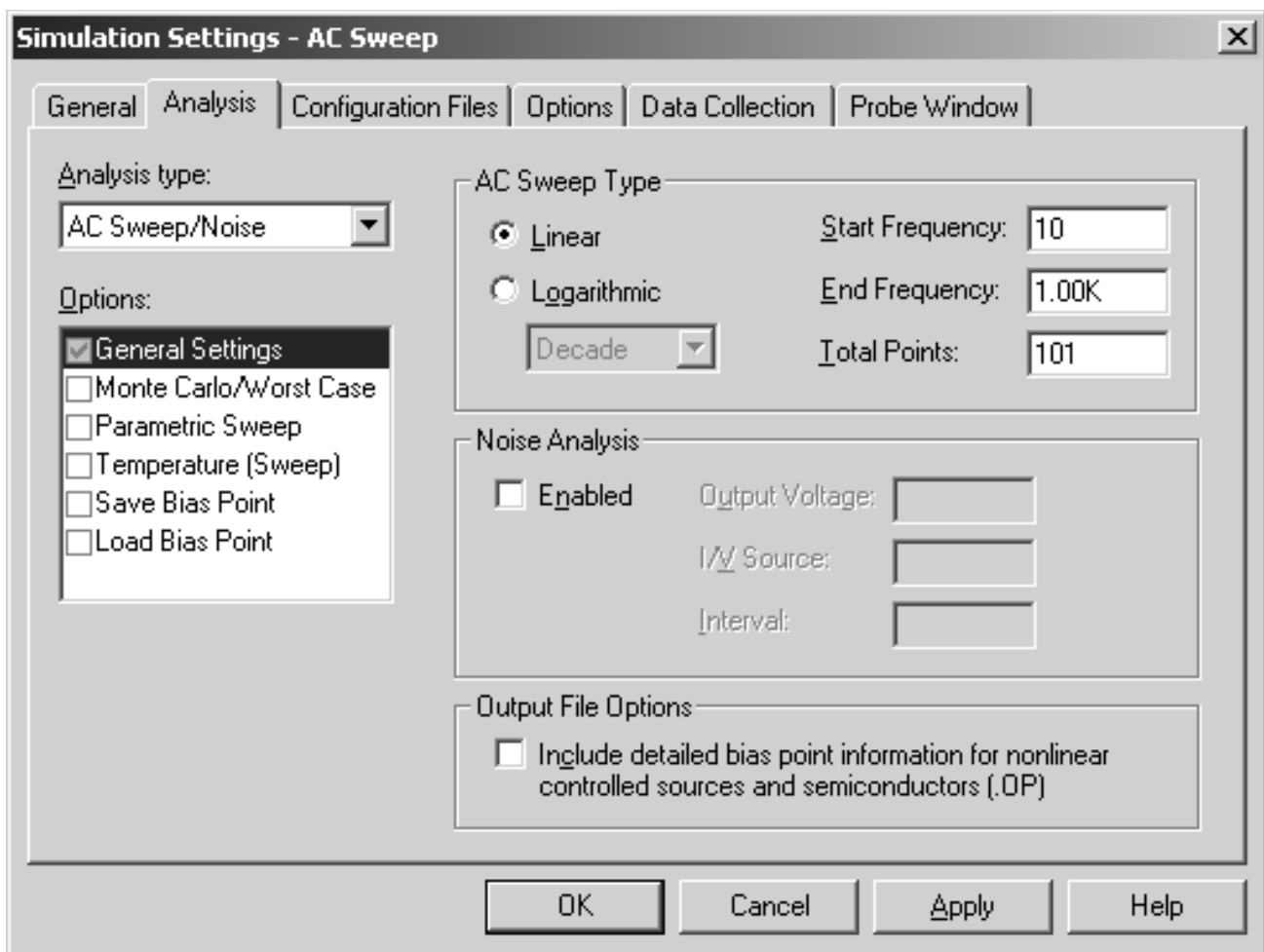
If you are also planning to run a transient analysis, see [Using VSRC or ISRC parts](#) on page 176 to find out how to specify the TRAN property.

Setting up an AC analysis

To set up the AC analysis

1. From the PSpice menu, choose New Simulation Profile or Edit Simulation Settings. (If this is a new simulation, enter the name of the profile and click OK.)

The Simulation Settings dialog box appears.



2. Choose AC Sweep/Noise in the Analysis type list box.
3. Under Options, select General Settings if it is not already enabled.

PSpice User Guide

AC analyses

4. Set the number of sweep points as follows:

Table 10-5

To sweep frequency...	Do this...
linearly	Under AC Sweep Type, click Linear, and enter the total number of points in the sweep in the Total Points box.
logarithmically by decades	Under AC Sweep Type, click Logarithmic, select Decade (default), and enter the total number of points per decade in the Total Points box.
logarithmically by octaves	Under AC Sweep Type, click Logarithmic, select Octave, and enter the total number of points per octave in the Total Points box.

5. In the Start Frequency and End Frequency text boxes, enter the starting and ending frequencies, respectively, for the sweep.
6. Click OK to save the simulation profile.

Note: If you also want to run a noise analysis, then before clicking OK, complete the Noise Analysis frame in this dialog box as described in [Setting up a noise analysis](#) on page 507.

AC sweep setup in example.opj

If you look at the example circuit, EXAMPLE.OPJ, provided with your installed programs, you'll find that its AC analysis is set up as shown in Figure 10-2.

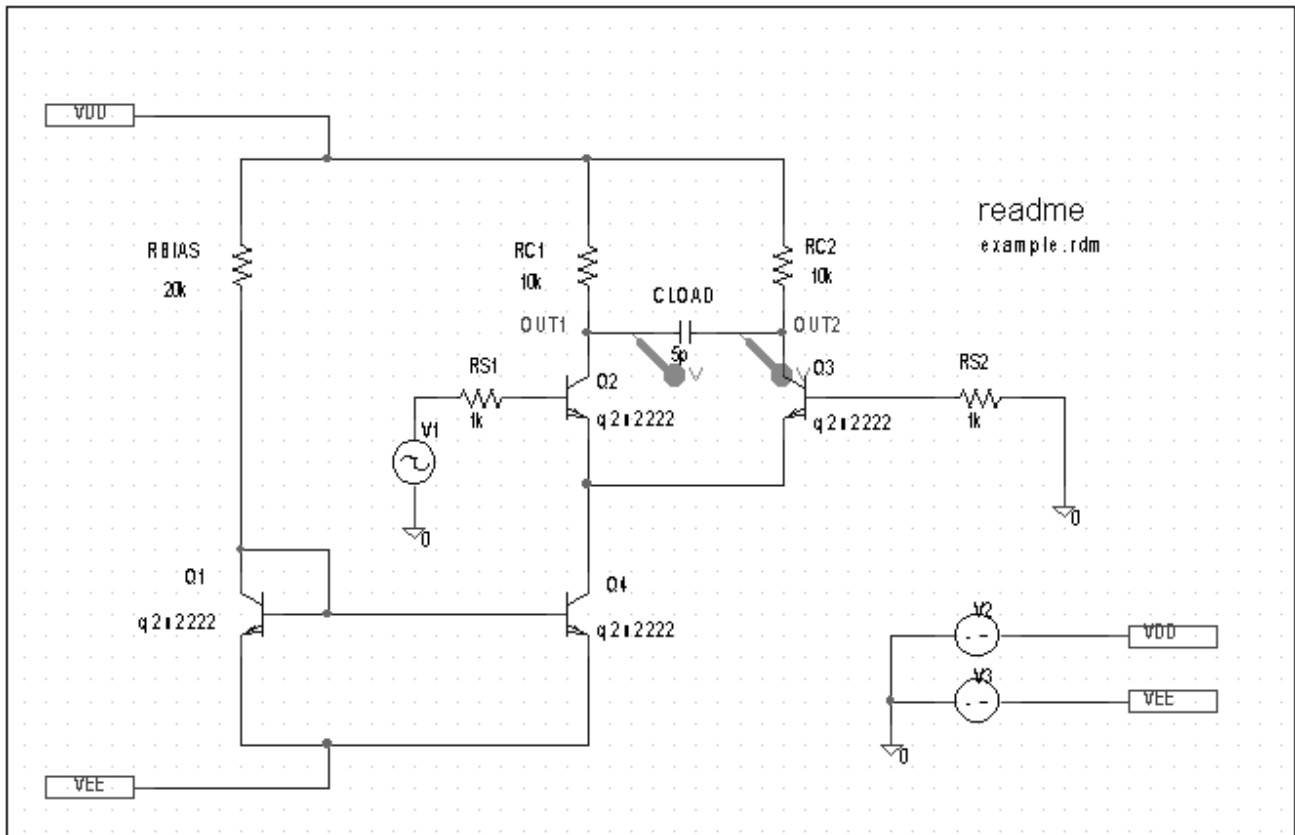


Figure 10-1 Circuit diagram for EXAMPLE.OPJ.

Note: The source, V1, is a VSIN source that is normally used for setting up sine wave signals for a transient analysis. It also has an AC property so that you can use it for an AC analysis.

To find out more about VSIN and other source symbols that you can

PSpice User Guide

AC analyses

use for AC analysis, see [Using time-based stimulus parts with AC and DC properties](#) on page 175.

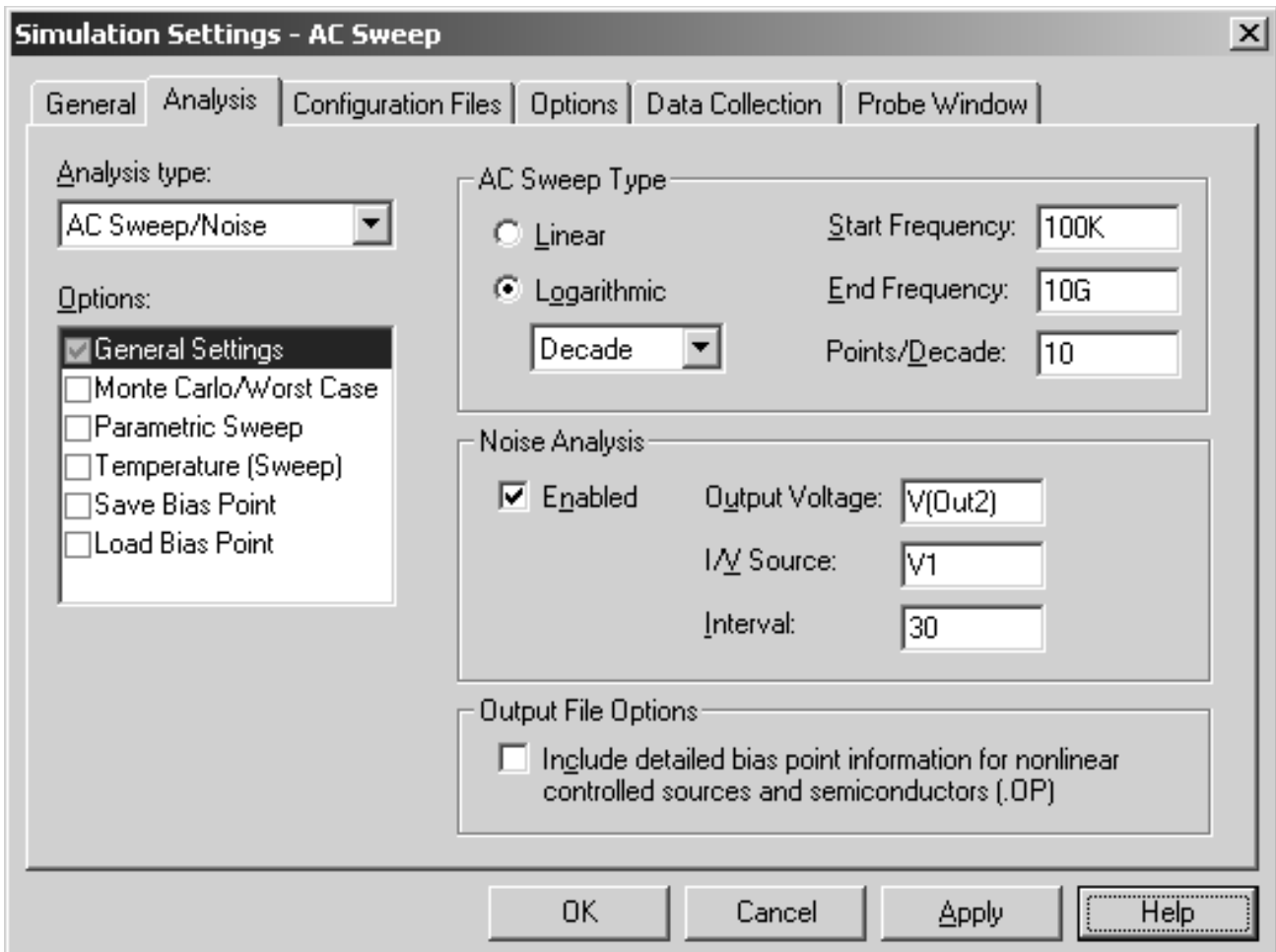


Figure 10-2 AC analysis setup for EXAMPLE.OPJ.

Frequency is swept from 100 kHz to 10 GHz by decades, with 10 points per decade. The V1 independent voltage source is the only input to an amplifier, so it is the only AC stimulus to this circuit. Magnitude equals 1 V and relative phase is left at zero degrees (the default). All other voltage sources have zero AC value.

How PSpice treats nonlinear devices

An AC Sweep analysis is a linear or small-signal analysis. This means that nonlinear devices must be linearized to run the analysis.

What's required to transform a device into a linear circuit

In order to transform a device (such as a transistor amplifier) into a linear circuit, you must do the following:

1. Compute the DC bias point for the circuit.
2. Compute the complex impedance and/or transconductance values for each device at this bias point.
3. Perform the linear circuit analysis at the frequencies of interest by using simplifying approximations.

Example: Replace a bipolar transistor in common-emitter mode with a constant transconductance (collector current proportional to base-emitter voltage) and a number of constant impedances.

What PSpice does

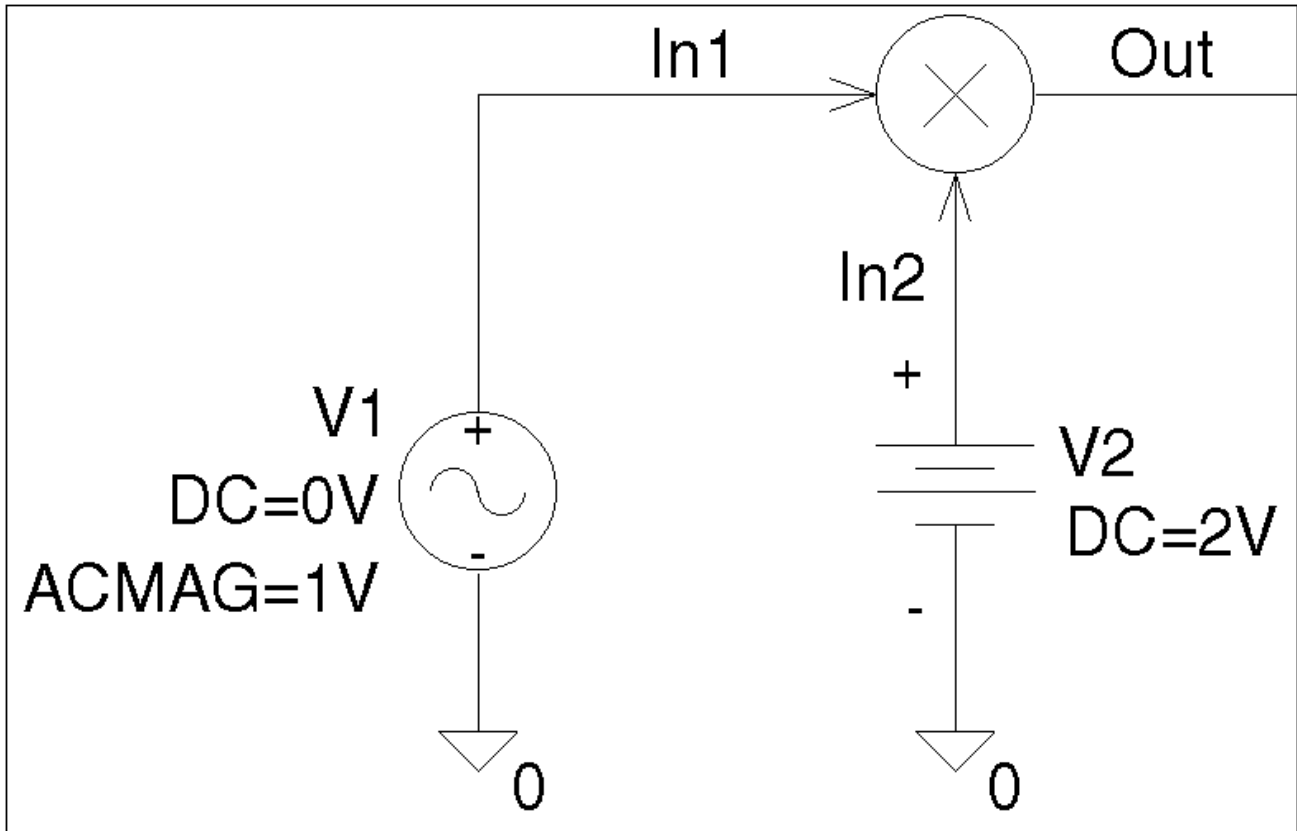
PSpice automates this process for you. PSpice computes the partial derivatives for nonlinear devices at the bias point and uses these to perform small-signal analysis.

Example: nonlinear behavioral modeling block

Suppose you have an analog behavioral modeling block that multiplies $V(1)$ by $V(2)$. Multiplication is a nonlinear operation. To run an AC sweep analysis on this block, the block needs to be replaced with its linear equivalent. To determine the linear equivalent block, PSpice needs a known bias point.

Using a DC source

Consider the circuit shown below.



At the DC bias point, PSpice calculates the partial derivatives which determine the linear response of the multiplier as follows:

$$V(\text{Out}) = \frac{\partial V(\text{Out})}{\partial V(\text{In1})} + \frac{\partial V(\text{Out})}{\partial V(\text{In2})}$$
$$= 2 \cdot V(\text{In1}) + 2.0$$

For this circuit, this equation reduces to:

$$V(\text{Out}) = 2V(\text{In1})$$

This means that the multiplier acts as an amplifier of the AC input with a gain that is set by the DC input.

Caution: multiplying AC sources

Suppose that you replace the 2 volt DC source in this example with an AC source with amplitude 1 and no DC value ($DC=0$). When PSpice computes the bias point, there are no DC sources in the circuit, so all nodes are at 0 volts at the bias point. The linear equivalent of the multiplier block is a block with gain 0, which means that there is no output voltage at the fundamental frequency. This is exactly how a double-balanced mixer behaves. In practice, this is a simple multiplier.

Note: A double-balanced mixer with inputs at the same frequency would produce outputs at DC at twice the input frequency, but these terms cannot be seen with a linear, small-signal analysis.

Noise analysis

Setting up and running a noise analysis

The following procedure describes the minimum setup requirements for running a noise analysis. For more detail on any step, go to the pages referenced in the sidebars.

To set up and run an AC sweep

1. Place and connect a voltage or current source with an AC input signal.

To find out how, see [Setting up an AC stimulus](#) on page 495.

2. Set up the AC sweep simulation specifications.

To find out how, see [Setting up an AC analysis](#) on page 498.

3. Set up the noise simulation specifications and enable the analysis in the AC Sweep/Noise portion of the Simulation Settings dialog box.

To find out how, see [Setting up a noise analysis](#) on page 507.

4. Click OK to save the simulation profile.
5. From the PSpice menu, choose Run to start the simulation.

What is noise analysis?

When running a noise analysis, PSpice calculates and reports the following for each frequency specified for the AC Sweep/Noise analysis:

- Device noise, which is the noise contribution propagated to the specified output net from every resistor and semiconductor device in the circuit; for semiconductor devices, the device noise is also broken down into constituent noise contributions where applicable

Example: Diodes have separate noise contributions from thermal, shot, and flicker noise.

- Total output and equivalent input noise

Table 10-6

This value...	Means this...
Output noise	RMS sum of all the device contributions propagated to a specified output net
Input noise	equivalent noise that would be needed at the input source to generate the calculated output noise in an ideal (noiseless) circuit

How PSpice calculates total output and input noise

To calculate total noise at an output net, PSpice computes the RMS sum of the noise propagated to the net by all noise-generating devices in the circuit.

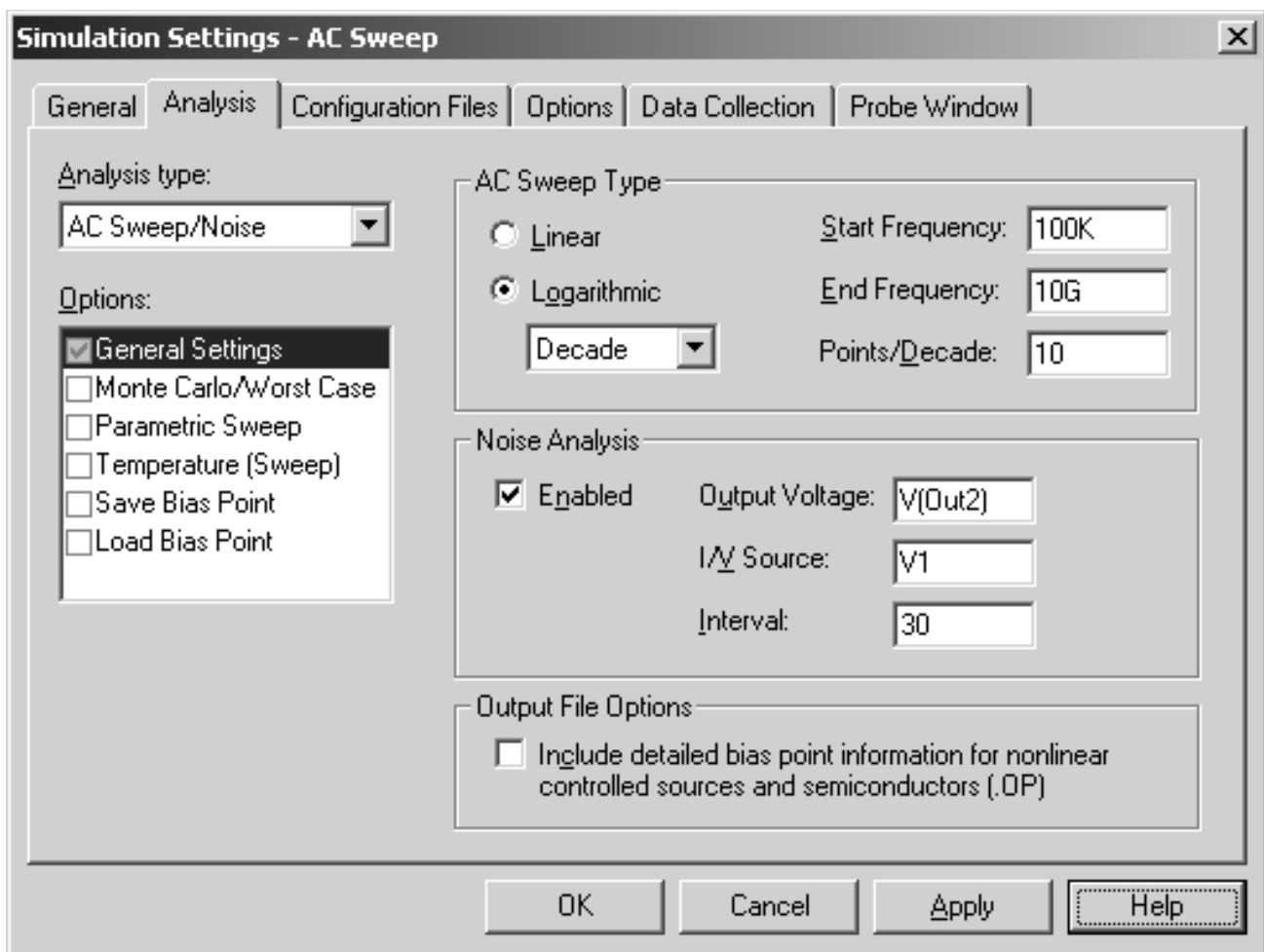
To calculate the equivalent input noise, PSpice then divides total output noise by the gain from the input source to the output net. This results in the amount of noise which, if injected at the input source into a noiseless circuit, would produce the total noise originally calculated for the output net.

Setting up a noise analysis

To set up the noise analysis

1. From the PSpice menu, choose New Simulation Profile or Edit Simulation Profile. (If this is a new simulation, enter the name of the profile and click OK.)

The Simulation Settings dialog box appears.



2. Choose AC Sweep/Noise in the Analysis type list box.
3. Under Options, select General Settings if it is not already enabled.
4. Specify the AC sweep analysis parameters as described in [Setting up an AC analysis](#) on page 498.

PSpice User Guide

AC analyses

5. Enable the Noise Analysis check box.
6. Enter the noise analysis parameters as follows:

Table 10-7

In this text box...	Type this...
Output Voltage	<p>A voltage output variable of the form $v(\text{node}, [\text{node}])$ where you want the total output noise calculated.</p> <p>To find out more about valid syntax, see Output variables on page 426.</p>
I/V Source	<p>The name of an independent current or voltage source where you want the equivalent input noise calculated.</p> <p>Note: If the source is in a lower level of a hierarchical schematic, separate the names of the hierarchical devices with periods (.). Example: U1.V2</p>
Interval	<p>An integer n designating that at every n^{th} frequency, you want to see a table printed in the PSpice output file (.OUT) showing the individual contributions of all of the circuit's noise generators to the total noise.</p> <p>Note: In the Probe window, you can view the device noise contributions at every frequency specified in the AC sweep. The Interval parameter has no effect on what PSpice writes to the Probe data file.</p>

7. Click OK to save the simulation profile.

PSpice User Guide

AC analyses

Analyzing Noise in the Probe window

You can use these output variable formats to view traces for device noise contributions and total input or output noise at every frequency in the analysis.

For a break down of noise output variables by supported device type, see [Table 17-17](#) on page 779.

To view this...	Use this output variable...	Which is represented by this equation ¹ ...
Flicker noise for a device	NFID(<i>device_name</i>) NFIB(<i>device_name</i>)	$\text{noise} \propto k_f \cdot \frac{I_r^{a_f}}{f^b}$
Shot noise for a device	NSID(<i>device_name</i>) NSIB(<i>device_name</i>) NSIC(<i>device_name</i>)	For diodes and BJTs: $\text{noise} \propto 2qI$ For GaAsFETs, JFETs, and MOSFETs: $\text{noise} \propto 4kT \cdot \frac{dI}{dV} \cdot \frac{2}{3}$
Thermal noise for the RB, RC, RD, RE, RG, or RS constituent of a device, respectively	NRB(<i>device_name</i>) NRC(<i>device_name</i>) NRD(<i>device_name</i>) NRE(<i>device_name</i>) NRG(<i>device_name</i>) NRS(<i>device_name</i>)	$\text{noise} \propto \frac{4kT}{R}$
Thermal noise generated by equivalent resistances in the output of a digital device	NRLO(<i>device_name</i>) NRHI(<i>device_name</i>)	$\text{noise} \propto \frac{4kT}{R}$
Total noise for a device	NTOT(<i>device_name</i>)	Sum of all contributors in <i>device_name</i>
Total output noise for the circuit	NTOT(ONoise)	$\sum_{\text{device}} \text{NTOT}(\text{device})$
RMS-summed output noise for the circuit	V(ONoise)	RMS sum of all contributors $(\sqrt{\text{NTOT}(\text{ONoise})})$

PSpice User Guide

AC analyses

To view this...	Use this output variable...	Which is represented by this equation ¹ ...
Equivalent input noise for the circuit	V(INOISE)	$\frac{V(ONOISE)}{\text{gain}}$

1. To find out more about the equations that describe noise behavior, refer to the appropriate device type in the *Analog Devices* chapter in the online *PSpice Reference Guide*.

About noise units

Table 10-8

This type of noise output variable...	Is reported in these units...
Device contribution of the form Nxxx	(volts) ² / (Hz)
Total input or output noise of the form V(ONOISE) or V(INOISE)	(volts)/ ($\sqrt{\text{Hz}}$)

Example

You can run a noise analysis on the circuit shown in [Figure 10-1](#) on page 500.

To run a noise analysis on the example:

In Capture, open the EXAMPLE.OPJ circuit provided in the \tools\pspice\capture_samples\anasim\example subdirectory.

1. From the PSpice menu, choose New Simulation Profile or Edit Simulation Profile. (If this is a new simulation, enter the name of the profile and click OK.)

The Simulation Settings dialog box appears.

2. Choose AC Sweep/Noise in the Analysis type list box.
3. Under Options, select General Settings if it is not already enabled.
4. Enable the Noise Analysis check box.

PSpice User Guide

AC analyses

5. Enter the following parameters for the noise analysis:

Output Voltage	V(OUT2)
I/V Source	V1
Interval	30

For a description of the Interval parameter, see [Interval](#) on page 508.

These settings mean that PSpice will calculate noise contributions and total output noise at net OUT2 and equivalent input noise from V1.

Figure [10-3](#) shows Probe traces for Q1's constituent noise sources as well as total noise for the circuit after simulating. Notice that the trace for RMSSUM (at the top of the plot), which is a macro for the trace expression

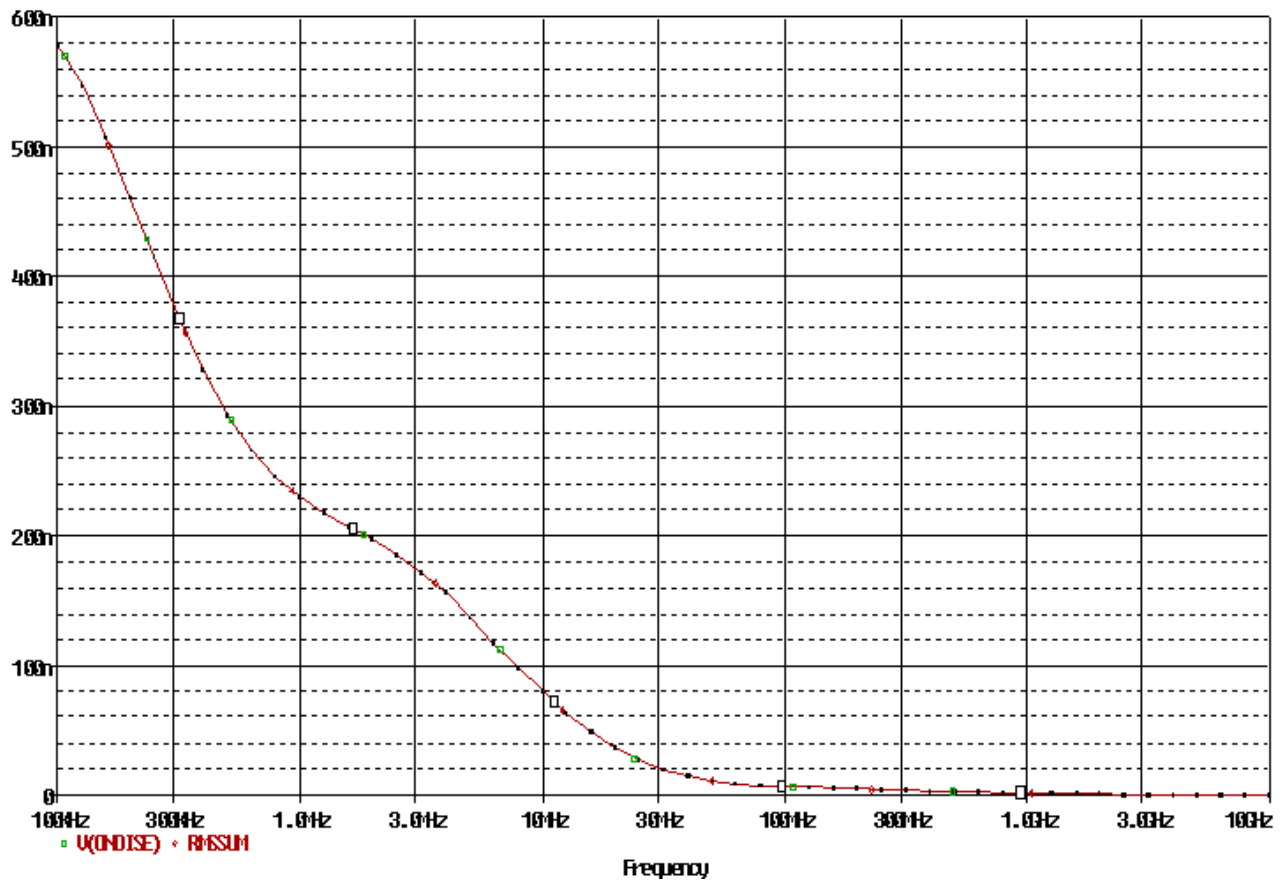
$$\text{SQRT}(\text{NTOT}(\text{Q1}) + \text{NTOT}(\text{Q2}) + \text{NTOT}(\text{Q3}) + \dots),$$

exactly matches the total output noise, V(ONoise), calculated by PSpice.

PSpice User Guide

AC analyses

To find out more about PSpice macros, refer to the online *PSpice Help*.



PSpice User Guide

AC analyses

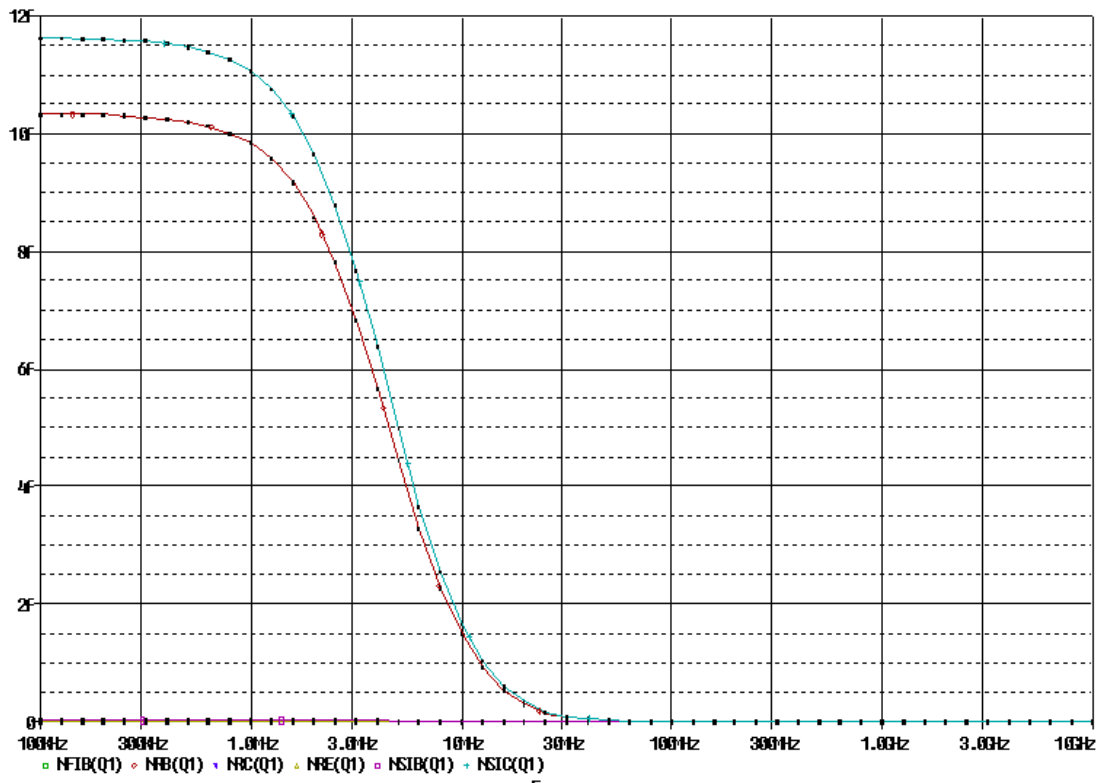


Figure 10-3 Device and total noise traces for EXAMPLE.OPJ.

Note: The source, V1, is a VSIN source that is normally used for setting up sine wave signals for a transient analysis. It also has an AC property so that you can use it for an AC analysis.

To find out more about VSIN and other source symbols that you can use for AC analysis, see [Using time-based stimulus parts with AC and DC properties](#) on page 175.

Frequency is swept from 100 kHz to 10 GHz by decades, with 10 points per decade. The V1 independent voltage source is the only input to an amplifier, so it is the only AC stimulus to this circuit. Magnitude equals 1 V and relative phase is left at zero degrees (the default). All other voltage sources have zero AC value.

PSpice User Guide

AC analyses

Parametric and temperature analysis

Chapter overview

This chapter describes how to set up parametric and temperature analyses. Parametric and temperature are both simple multi-run analysis types.

This chapter includes the following sections:

- [Parametric analysis](#) on page 516
- [Temperature analysis](#) on page 526

Parametric analysis

Minimum requirements to run a parametric analysis

Minimum circuit design requirements

- Set up the circuit according to the swept variable type as listed in Table 11-1.
- Set up a DC sweep, AC sweep, or transient analysis.

Table 11-1 Parametric analysis circuit design requirements

Swept variable type	Requirement
voltage source	voltage source with a DC specification (VDC, for example)
temperature	none
current source	current source with a DC specification (IDC, for example)
model parameter	PSpice A/D model
global parameter	global parameter defined with a parameter block (PARAM)

Minimum program setup requirements

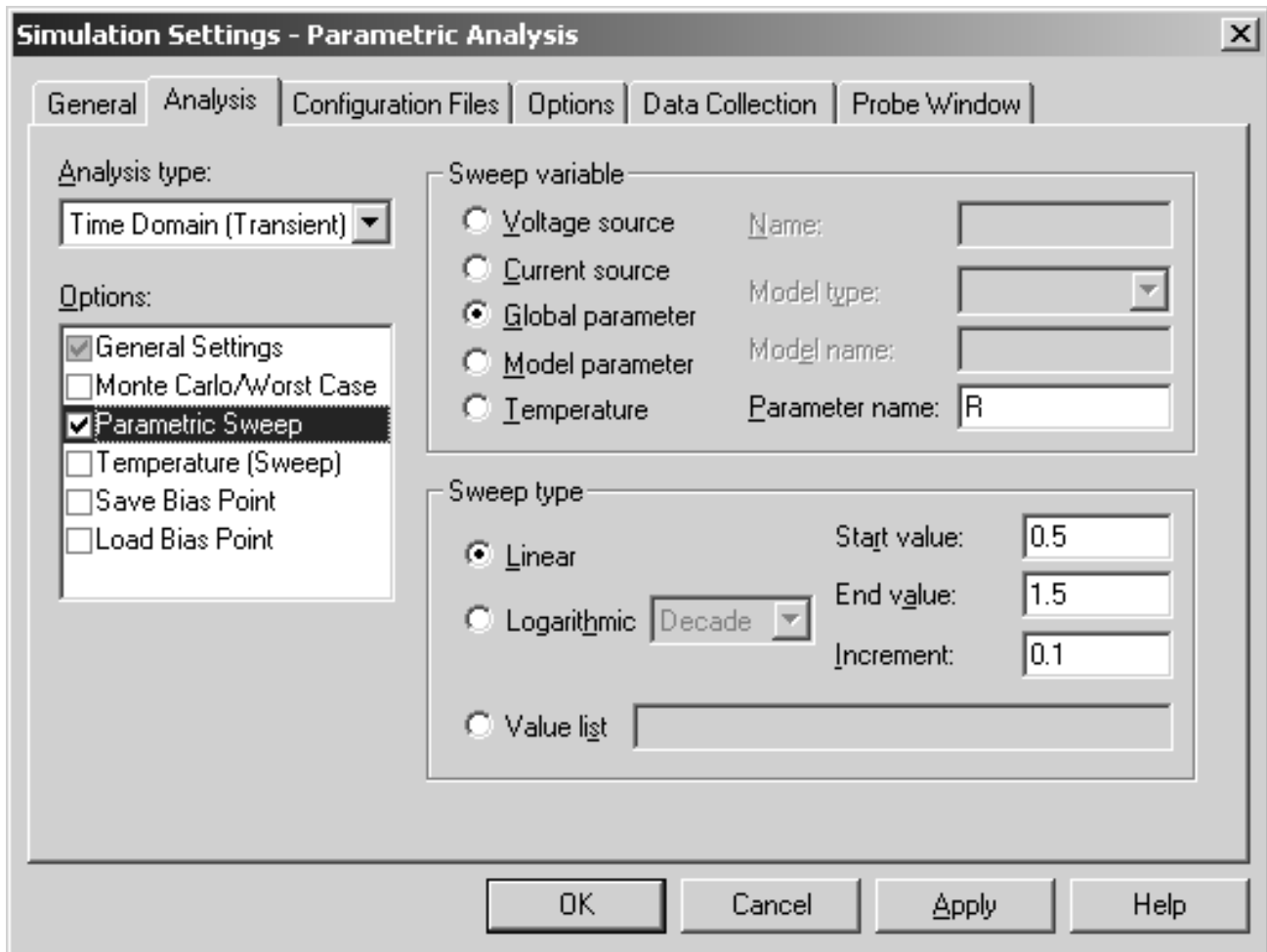
1. In the Simulation Settings dialog box, from the Analysis type list box, select Time Domain (Transient).

See [Setting up analyses](#) on page 423 for a description of the Simulation Settings dialog box.
2. Under Options, select Parametric Sweep if it is not already enabled.

PSpice User Guide

Parametric and temperature analysis

3. Specify the required parameters for the sweep.



4. Click OK to save the simulation profile.

5. From the PSpice menu, choose Run to start the simulation.

Note: Do not specify a DC sweep and a parametric analysis for the same variable.

Overview of parametric analysis

Parametric analysis performs multiple iterations of a specified standard analysis while varying a global parameter, model parameter, component value, or operational temperature. The effect is the same as running the circuit several times, once for each value of the swept variable.

See [Parametric analysis](#) on page 123 for a description of how to set up a parametric analysis.

RLC filter example

This example shows how to perform a parametric sweep and analyze the results with performance analysis.

Use performance analysis to derive values from a series of simulator runs and plot these values versus a parameter that varies between the simulator runs.

For this example, the derived values are the overshoot and the rise time versus the damping resistance of the filter.

Entering the design

The schematic representation for the RLC filter (RLCFILT.OPJ) is shown in Figure 11-1.

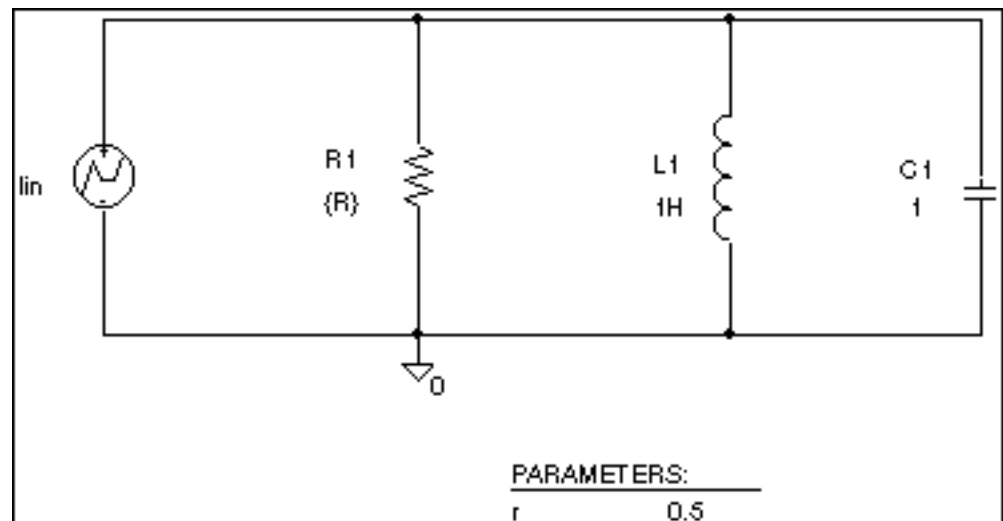


Figure 11-1 Passive filter schematic.

This series of PSpice runs varies the value of resistor R1 from 0.5 to 1.5 ohms in 0.1 ohm steps. Since the time-constant of the circuit is about one second, perform a transient analysis of approximately 20 seconds.

PSpice User Guide

Parametric and temperature analysis

Create the circuit in Capture by placing a piecewise linear independent current source (IPWL from SOURCE.OLB). Set the current source properties as follows:

```
AC = 1a
T1 = 0s
I1 = 0a
T2 = 10ms
I2 = 0a
T3 = 10.1ms
I3 = 1a
```

Place an instance of a resistor and set its VALUE property to the expression, {R}. To define R as a global parameter, place a PARAM pseudo-component and use the Property Editor to create a new property R and set its value to 0.5. Place an inductor and set its value to 1H, place a capacitor and set its value to 1, and place an analog ground symbol (0 from the SOURCE.OLB library). Wire the schematic symbols together as shown in Figure [11-1](#).

Running the simulation

Run PSpice A/D with the following analyses enabled:

transient	print step:	100ms
	final time:	20s
parametric	swept var. type:	global parameter
	sweep type:	linear
	name:	R
	start value:	0.5
	end value:	1.5
	increment:	0.1

After setting up the analyses, start the simulation by choosing Run from the PSpice menu.

Using performance analysis to plot overshoot and rise time


After performing the simulation that creates the data file RLCFILT.DAT, you can calculate the specified performance analysis measurements.

PSpice User Guide

Parametric and temperature analysis

When the simulation is finished, a list appears containing all of the sections (runs) in the data file produced by PSpice. To use the data from every run, select All and click OK in the Available Selections dialog box. In the case of Figure 11-2, the trace I(L1) from the ninth section was added by specifying the following in the Add Traces dialog box:

```
-I(L1)@9
```

Note: To display the Add Traces dialog box, from the Trace menu, choose Add Trace or click the Add Trace toolbar button .

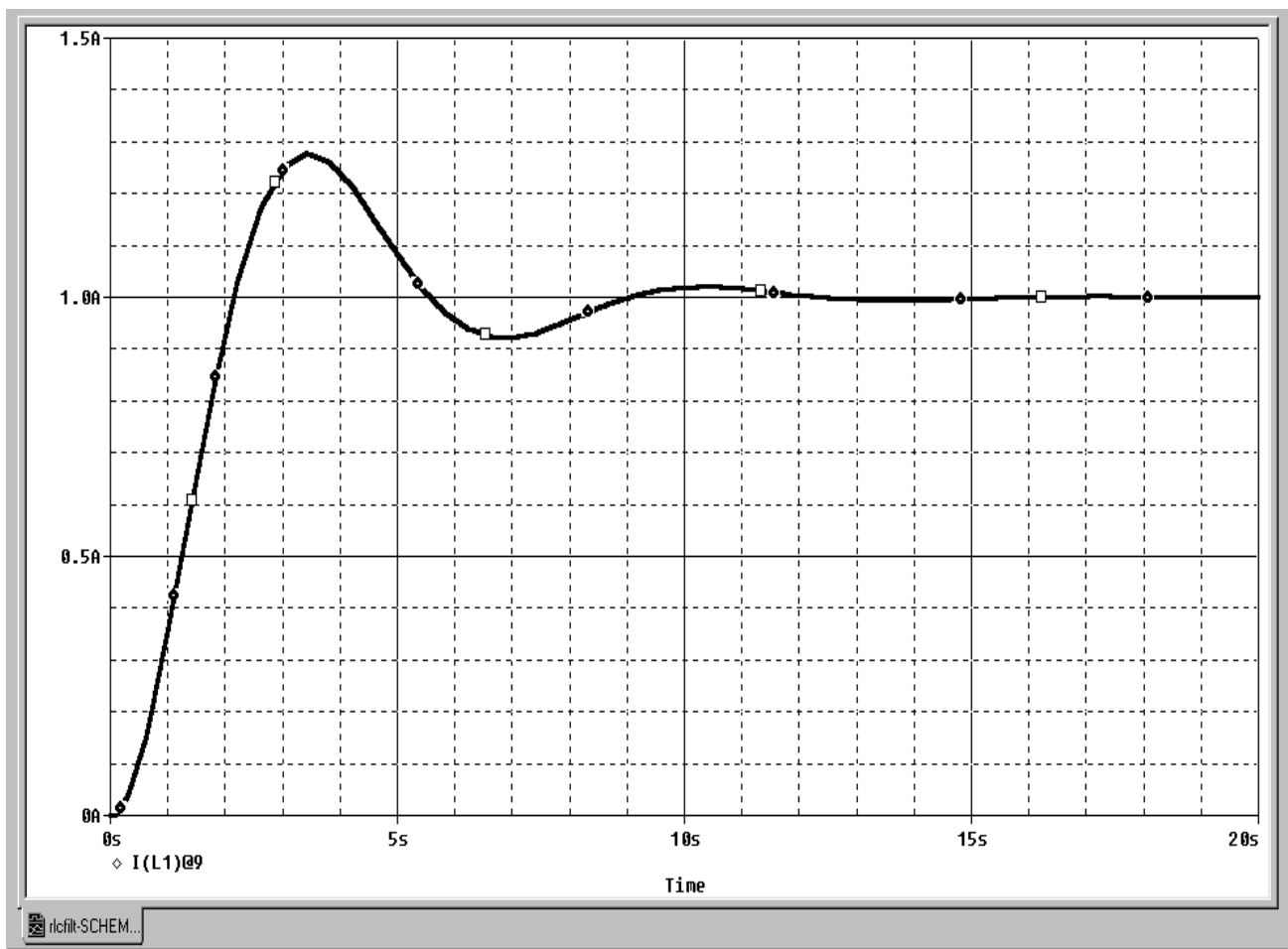


Figure 11-2 Current of L1 when R1 is 1.5 ohms.

To run performance analysis


1. From the Trace menu, choose Performance Analysis.

PSpice User Guide

Parametric and temperature analysis

2. Click OK.

PSpice resets the X-axis variable for the graph to be the parameter that changed between PSpice runs. In the example, this is the R parameter.

To see the rise time for the current through the inductor L1, click the Add Trace toolbar button  and then enter:

```
genrise(-I(L1) )
```

Note: The genrise and overshoot measurements are contained in the PSPICE.PRJ file in the <target installation directory>\PSpice\Common directory. For legacy users, there are now two files in the PSpice\Common directory that uses measurement names:

- PSPICE_OLB.PRJ
- PSPICE.PRJ

Figure [11-3](#), shows how the rise time decreases as the damping resistance increases for the filter.

Another Y axis can be added to the plot for the overshoot of the current through L1 by selecting Add Y Axis from the Plot menu. The Y axis is immediately added. Now click the Add Trace toolbar button and enter:

```
overshoot(-I(L1) )
```

PSpice User Guide

Parametric and temperature analysis

Figure 11-3 shows how the overshoot increases with increasing resistance.

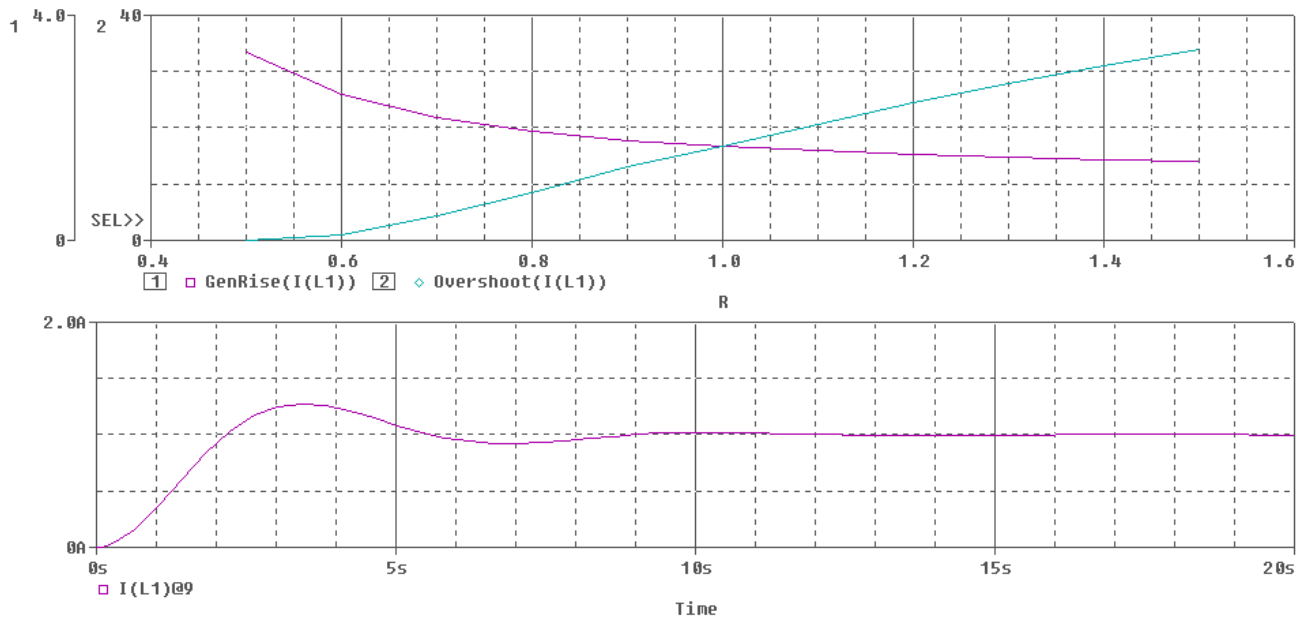


Figure 11-3 Rise time and overshoot vs. damping resistance.

Troubleshooting tip

More than one PSpice run or data section is required for performance analysis. Because one data value is derived for each waveform in a related set of waveforms, at least two data points are required to produce a trace.

Use *Evaluate Measurement* (from the Trace menu) to evaluate a measurements on a single waveform and produce a single data point result.

Example: frequency response vs. arbitrary parameter

You can view a plot of the linear response of a circuit at a specific frequency as one of the circuit parameters varies (such as the output of a band pass filter at its center frequency vs. an inductor value).

In this example, the value of a nonlinear capacitance is measured using a 10 kHz AC signal and plotted versus its bias voltage. The capacitance is in parallel with a resistor, so a trace expression is used to calculate the capacitance from the complex admittance of the R-C pair.

Note: This technique for measuring branch capacitances works well in both simple and complex circuits.

Setting up the circuit

Enter the circuit in Capture as shown in Figure 11-4.

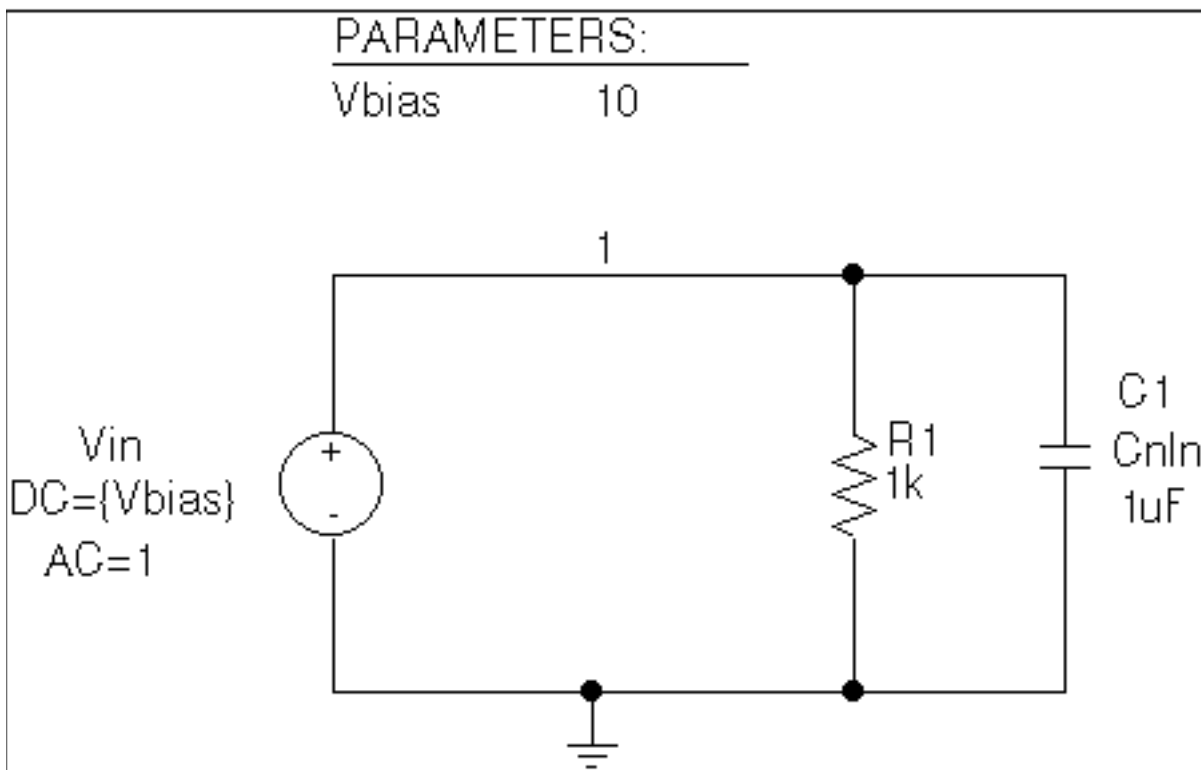


Figure 11-4 RLC filter example circuit.

PSpice User Guide

Parametric and temperature analysis

To create the capacitor model in the schematic editor:


1. Place a CBREAK part.
2. Select it so that it is highlighted.
3. From the Edit menu, choose PSpice Model.
4. In the Model Text frame, enter the following:

```
.model Cnln CAP(C=1 VC1=-0.01 VC2=0.05)
```
5. From the File menu, choose Save.

Set up the circuit for a parametric AC analysis (sweep Vbias), and run PSpice. Include only the frequency of interest in the AC sweep.

To display the results

Use PSpice to display the capacitance calculated at the frequency of interest versus the stepped parameter.

1. Simulate the circuit.
2. Load all AC analysis sections.
3. From the Trace menu, choose Add Trace or click the Add Trace toolbar button .
4. Add the following trace expression:

```
IMG(-I(Vin)/V(1,0))/(2*3.1416*Frequency)
```

Or add the expression:

```
CvF(-I(Vin)/V(1,0))
```

Where CvF is a macro which measures the effective capacitance in a complex conductance. Macros are defined using the Macros command on the Trace menu. The CvF macro should be defined as:

```
CvF(G) = IMG(G) / (2*3.1416*Frequency)
```

Note: $-I(Vin)/V(1)$ is the complex admittance of the R-C branch; the minus sign is required for correct polarity.

To use performance analysis to plot capacitance vs. bias voltage

1. From the Trace menu, choose Performance Analysis.

PSpice User Guide

Parametric and temperature analysis

2. Click Wizard.
3. Click Next>.
4. Click YatX in the *Choose a Measurement* list, and then click Next>.
5. In the Name of Trace text box, type the following:
 $CvF(-I(Vin)/V(1))$
6. In the X value to get Y value at text box, type 10K.
7. Click Next>.

The wizard displays the gain trace for the first run to text the measurement (YatX).

8. Click Finish.

The resultant plot is shown in Figure 11-5.

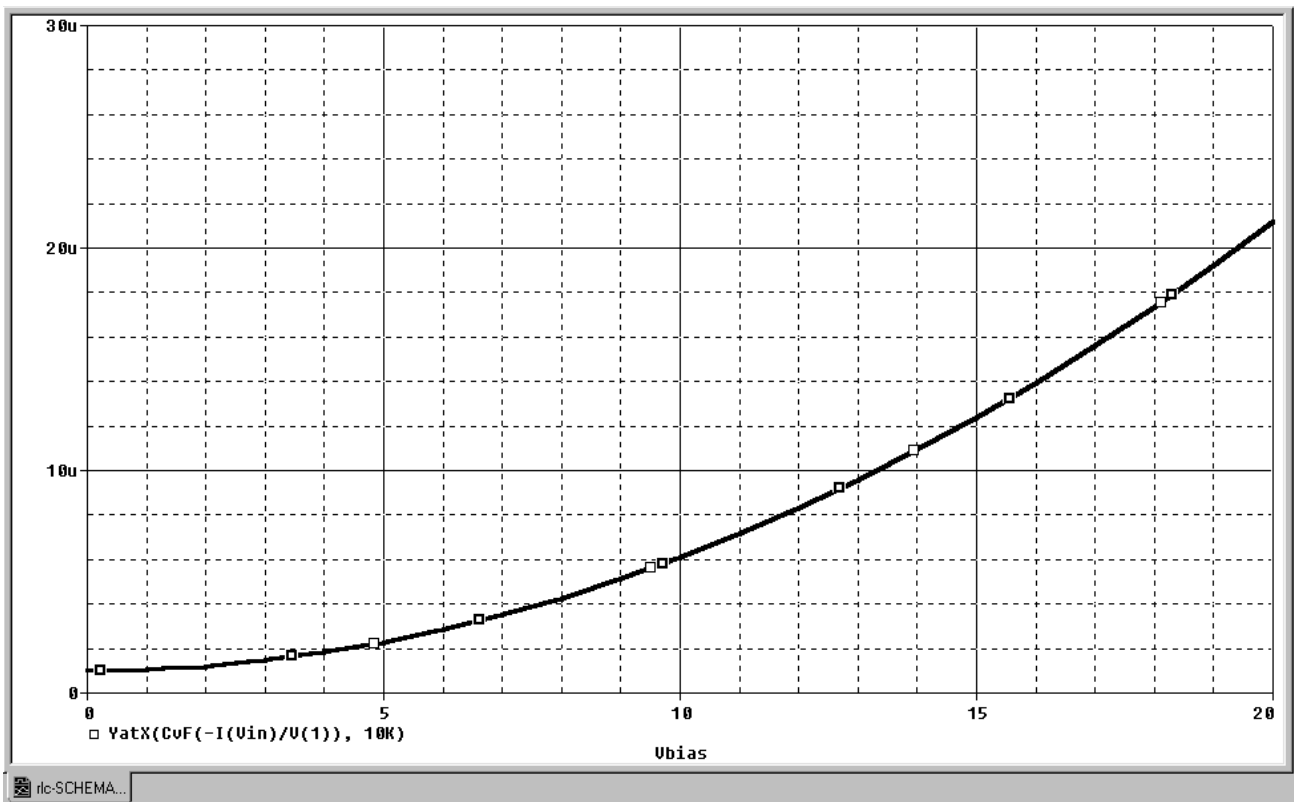


Figure 11-5 Plot of capacitance versus bias voltage.

Temperature analysis

Minimum requirements to run a temperature analysis

Minimum circuit design requirements

None.

Minimum program setup requirements

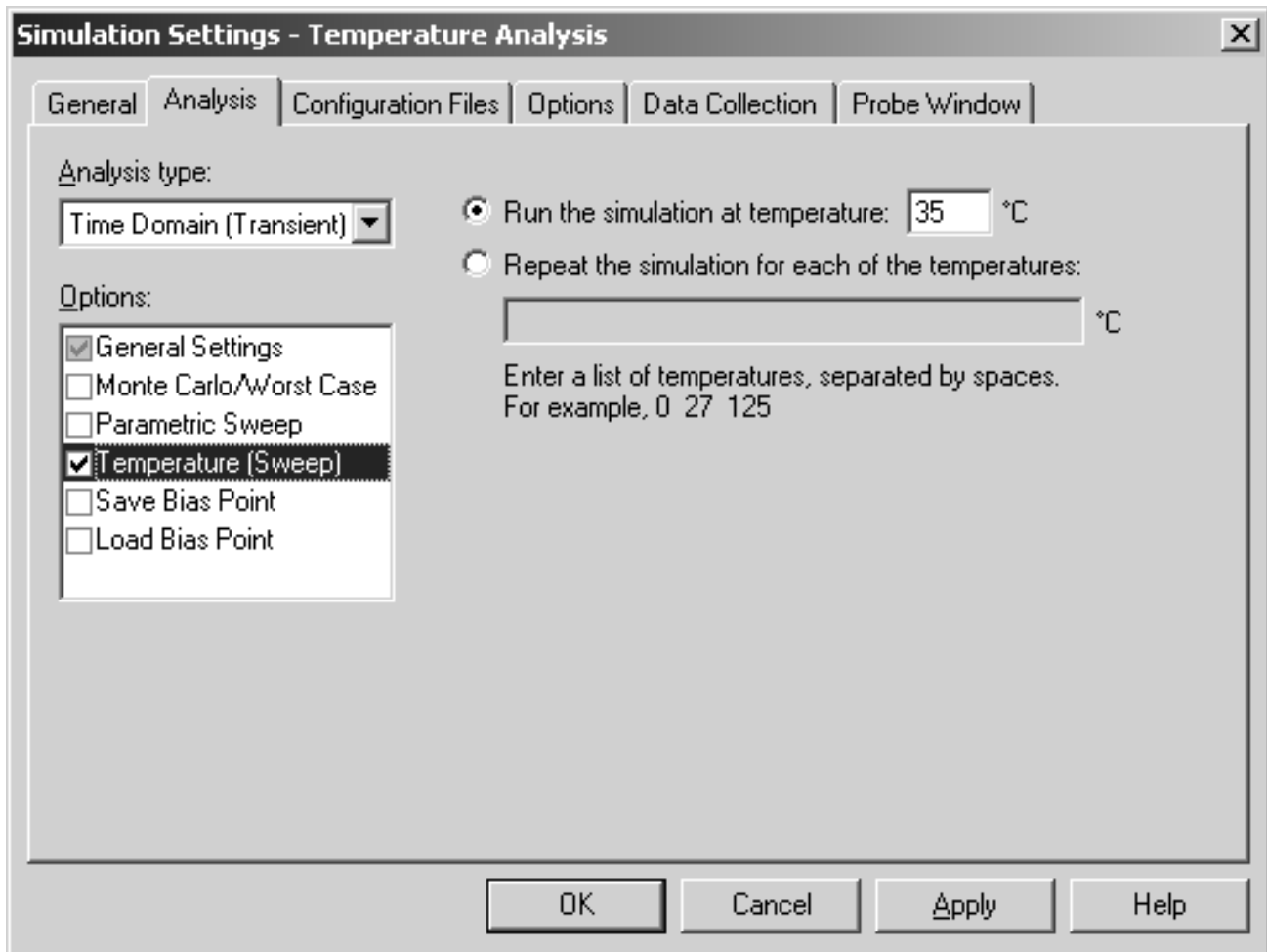
1. In the Simulation Settings dialog box, from the Analysis type list box, select Time Domain (Transient).

See [Setting up analyses](#) on page 423 for a description of the Simulation Settings dialog box.

2. Under Options, select Temperature Sweep if it is not already enabled.

Note: Temperature Sweep is not supported in the Advanced Analysis flow.

3. Specify the required parameters for the sweep.



4. Click OK to save the simulation profile.
5. From the PSpice menu, choose Run to start the simulation.

Overview of temperature analysis

For a temperature analysis, PSpice reruns standard analyses set in the Simulation Settings dialog box at different temperatures.

Note: Running multiple analyses for different temperatures can also be achieved using parametric analysis (see [Parametric analysis](#) on page 516). With parametric analysis, the temperatures can be specified either by list, or by range and increments within the range.

PSpice User Guide

Parametric and temperature analysis

You can specify zero or more temperatures. If no temperature is specified, the circuit is run at 27°C. If more than one temperature is listed, the simulation runs once for each temperature in the list.

Setting the temperature to a value other than the default results in recalculating the values of temperature-dependent devices. In `EXAMPLE.OPJ` (see Figure 11-6), the temperature for all of the analyses is set to 35°C. The values for resistors RC1 and RC2 are recomputed based upon the CRES model which has parameters TC1 and TC2 reflecting linear and quadratic temperature dependencies.

Likewise, the Q3 and Q4 device values are recomputed using the Q2N2222 model which also has temperature-dependent parameters. In the simulation output file, these recomputed device values are reported in the section labeled TEMPERATURE ADJUSTED VALUES.

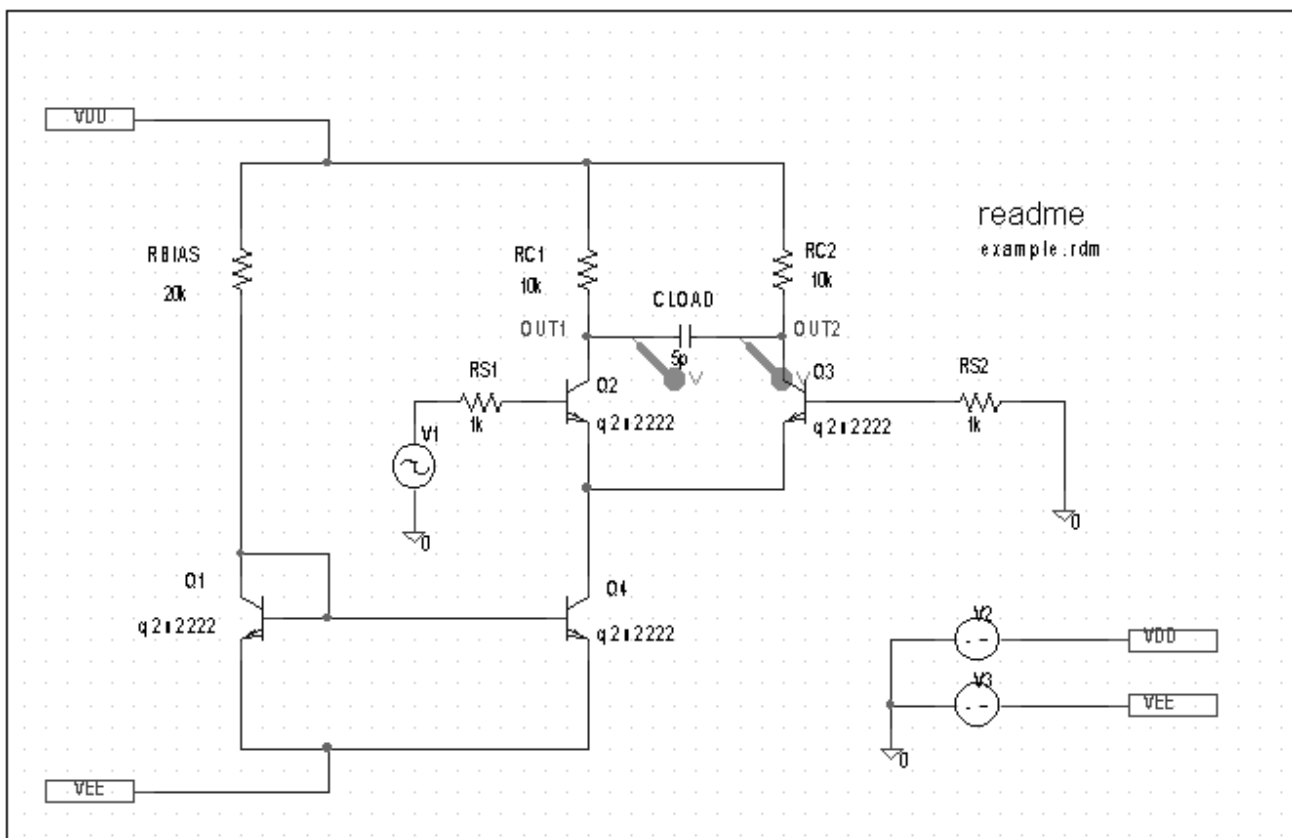


Figure 11-6 Example schematic EXAMPLE.OPJ.

PSpice User Guide

Parametric and temperature analysis

Note: The example circuit EXAMPLE.OPJ is provided with the installed programs.

PSpice User Guide

Parametric and temperature analysis

Transient analysis

Chapter overview

This chapter describes how to set up a transient analysis and includes the following sections:

- [Overview of transient analysis](#) on page 532
- [Defining a time-based stimulus](#) on page 534
- [The Stimulus Editor utility](#) on page 542
- [Transient \(time\) response](#) on page 554
- [Internal time steps in transient analyses](#) on page 558
- [Switching circuits in transient analyses](#) on page 559
- [Plotting hysteresis curves](#) on page 560
- [Fourier components](#) on page 562

Overview of transient analysis

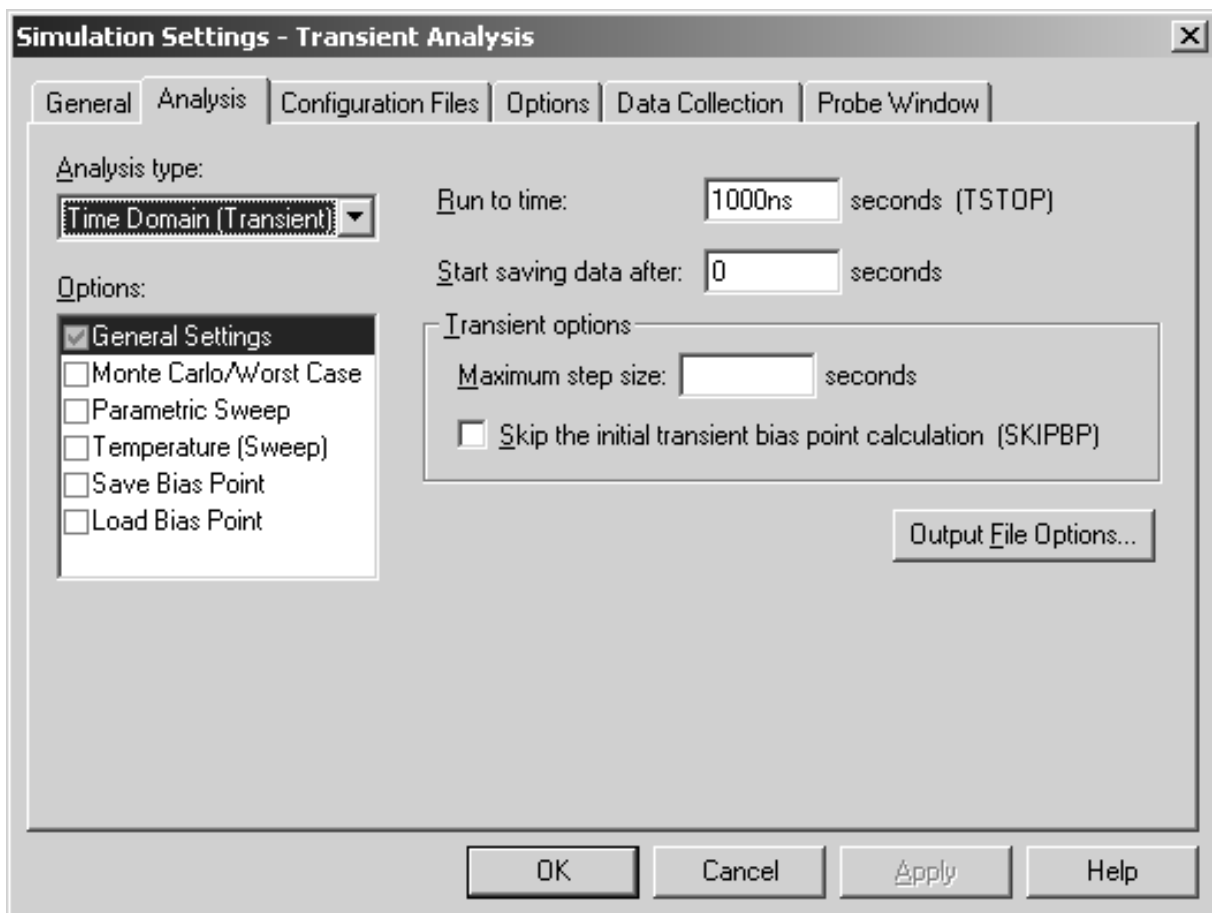
Minimum requirements to run a transient analysis

Minimum circuit design requirements

Circuit should contain one of the following:

- An independent source with a transient specification (see Table 12-1)
- An initial condition on a reactive element
- A controlled source that is a function of time

Minimum program setup requirements



PSpice User Guide

Transient analysis

1. From Capture's PSpice menu, choose New Simulation Profile or Edit Simulation Profile. (If this is a new simulation, enter the name of the profile and click OK.)

The Simulation Settings dialog box appears.

2. Click the Analysis tab.

See [Setting up analyses](#) on page 423 for a description of the Analysis Setup dialog box.

3. From the Analysis type list box, select Time Domain (Transient).
4. Specify the required parameters for the transient analysis you want to run.
5. Click OK to save the simulation profile.
6. From the PSpice menu, choose Run to start the simulation.

Defining a time-based stimulus

Overview of stimulus generation

Symbols that generate input signals for your circuit can be divided into two categories:

- those whose transient behavior is characterized graphically using the Stimulus Editor
- those whose transient behavior is characterized by manually defining their properties within Capture

These symbols are summarized in Table 12-1.

Table 12-1 Stimulus symbols for time-based input signals

Specified by...	Symbol name	Description
Using the Stimulus Editor	VSTIM	voltage source
	ISTIM	current source
	DIGSTIM1	Note: Digital stimuli are not supported in PSpice.
	DIGSTIM2	
	DIGSTIM4	
	DIGSTIM8	
	DIGSTIM16	
	DIGSTIM32	
Defining symbol attribute	VSRC	
	VEXP	
	VPULSE	
	VPWL	
	VPWL_RE_FOREVER	
	VPWL_F_RE_FOREVER	
	VPWL_N_TIMES	
	VPWL_F_N_TIMES	
	VSFFM	
	VSIN	

PSpice User Guide

Transient analysis

Table 12-1 Stimulus symbols for time-based input signals,

Specified by...	Symbol name	Description
	ISRC	current sources
	IEXP	
	IPULSE	
	IPWL	
	IPWL_RE_FOREVER	
	IPWL_F_RE_FOREVER	
	IPWL_N_TIMES	
	IPWL_F_N_TIMES	
	ISFFM	
	ISIN	
	DIGCLOCK	digital clock signal
	STIM1	digital stimuli
	STIM4	
	STIM8	
	STIM16	
	FILESTIM1	digital file stimuli
	FILESTIM2	Note: Digital stimuli are not supported in PSpice.
	FILESTIM4	
	FILESTIM8	
	FILESTIM16	
	FILESTIM32	

To use any of these source types, you must place the symbol in your schematic and then define its transient behavior.

Each property-characterized stimulus has a distinct set of attributes depending upon the kind of transient behavior it represents. For VPWL_F_xxx, IPWL_F_xxx, and FSTIM, a separate file contains the stimulus specification. For information on digital stimuli characterized by property, see [Chapter 14, “Digital simulation.”](#)

As an alternative, the Stimulus Editor automates the process of defining the transient behavior of stimulus devices. The Stimulus Editor allows you to create analog stimuli which generate sine wave,

repeating pulse, exponential pulse, single-frequency FM, and piecewise linear waveforms. It also facilitates creating digital stimuli with complex timing relations. This applies to both stimulus symbols placed in your schematic as well as new ones that you might create.

The stimulus specification created using the Stimulus Editor is saved to a file, automatically configured into the schematic, and associated with the corresponding VSTIM, ISTIM, or DIGSTIM part instance or symbol definition.

Using CheckPoints

You can save the state of a transient simulation at different moments as CheckPoints. You can specify any of the CheckPoints as a restart point and rerun the simulation from that point. As a result, you can avoid running a long simulation from the start and run only the portion that is expected to have the outputs of interest. For example, you simulate an SMPS design and determine a convergence error towards the end of the simulation. You can change design settings and rerun the portion of simulation that throws the error instead of running the simulation from the beginning.

For a quick overview of the CheckPoint Restart feature, view the multimedia demonstration [Using CheckPoint Restart](#).

To use CheckPoints:

1. Specify the CheckPoints
2. Run the initial analysis
3. Specify the restart point
4. Restart the analysis

Specifying CheckPoints

You need to define the following for CheckPoints:

- Simulation time interval: The interval in simulation time between two CheckPoints. The default unit is seconds (s) but you can also specify the time in all standard scale modifiers, such as microseconds (ms) and nanoseconds (ns).

PSpice User Guide

Transient analysis

- Real time interval: The interval between two CheckPoints in real time. The default is minutes (min) but you can also specify intervals in hours (hrs).
- Time points: Specific times when CheckPoints are created.
Note: In case of digital circuits, CheckPoint will not be generated at a timepoint if there are no events. For example, if a digital circuit changes state from 0 to 1 at a specified timepoint, a checkpoint will be generated. But if there is no transition, checkpoint will not be generated at that timepoint.
- Directory location: The location where CheckPoint data is stored. The default location is the transient simulation profile directory.

You can define CheckPoints either from the Simulation Settings dialog box or by editing the circuit file (.cir).

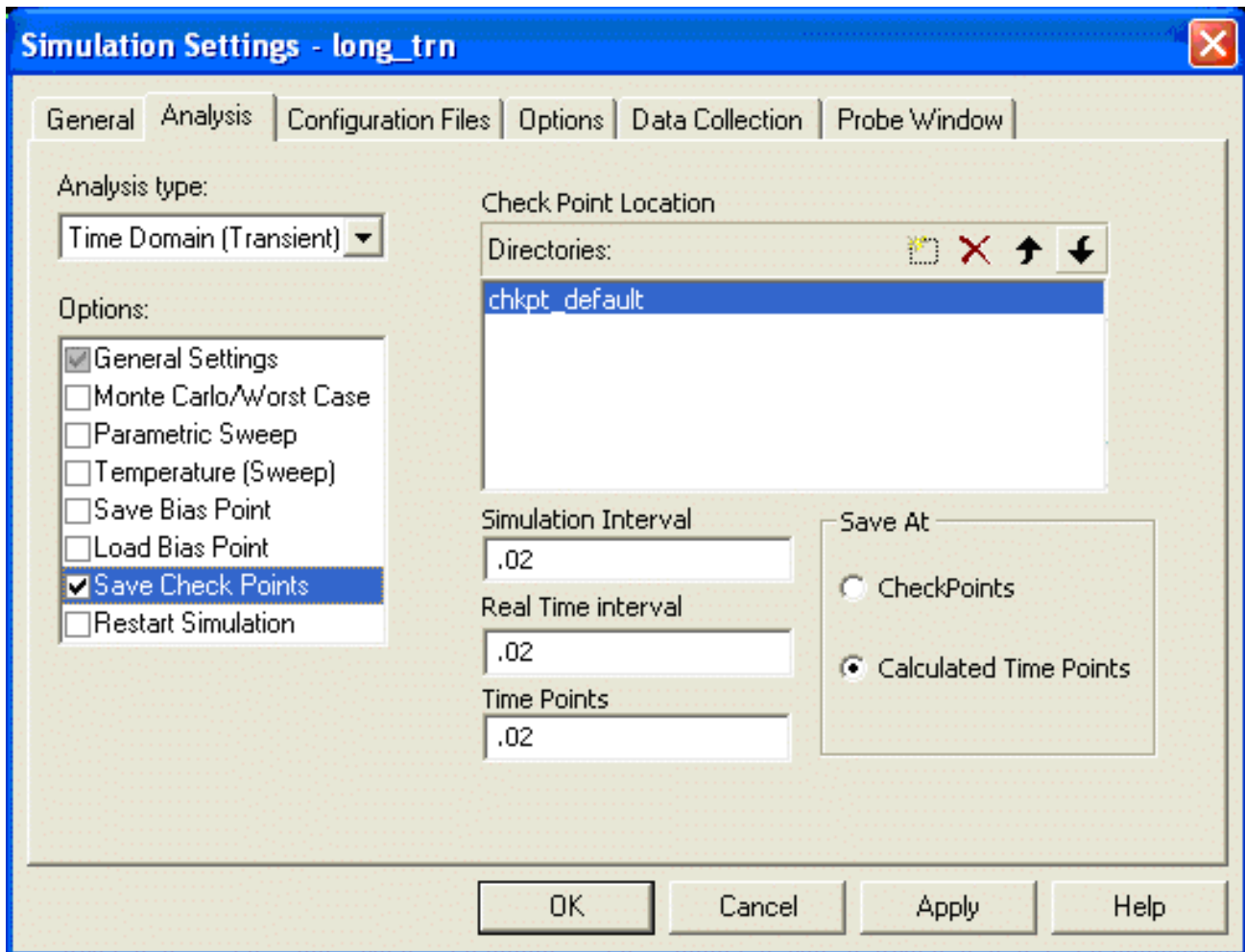
Using the Simulation Settings dialog box

To define CheckPoints using the simulation settings dialog box:

1. Open the Simulation Settings dialog box
2. In the *Analysis* tab, check the option *Save CheckPoints*.

PSpice User Guide

Transient analysis



3. In the *Check Point Location* box, specify the location where the CheckPoint data will be stored. You can specify more than one directory and change the order of directories in the Directories field using the buttons.
4. In the *Simulation Interval* box, specify the interval in seconds.
5. In the *Real Time Interval* box, specify the real time in minutes or hours.
6. In the *Time Points* box, specify the time points where CheckPoints are to be created.

 **Important**

The time points must be separated by either space or comma.

Editing the Circuit File

You can edit the circuit file to specify CheckPoints. The syntax for CheckPoint is:

```
.chkpt CheckPoint_name time_interval_type  
time_interval_value [time_interval_type  
time_interval_value ][TSTEP 0/1]
```

The TSTEP values can be:

- | | |
|---|--|
| 0 | generate CheckPoints closest to the specified time points using default time step of PSpice engine |
| 1 | generate CheckPoints at the specified time points |

The value for the parameter `time_interval_type` can be:

- | | |
|------|------------------------------------|
| SINT | Specifies simulation time interval |
| RINT | Specifies real time interval |
| TP | Specifies time points |

For example, the following specifies a CheckPoint to be saved as `D:\simdata\checkset1` with simulation time interval of 1ms, real time interval 10 minutes, and time points 2.5ms and 7.5ms:

```
.chkpt "D:/simdata/checkset1" SINT 1ms RINT 10min  
TP 2.5ms,7.5ms
```

Ensure that you have a transient analysis defined before running the simulation.

Restarting Simulation from a Saved CheckPoint

You might want to restart a simulation from a saved CheckPoint after changing the design. You can view the CheckPoint locations on the traces displayed in the Probe window. This will enable you to choose the CheckPoint to restart the simulation.

You can change the following in the schematic before restarting a simulation:

- Component values
- Parameter values
- Simulation options
- CheckPoint restart options
- Data save options



Before restarting simulations, note that you cannot:

- Add or remove components before restarting simulation
- Change device name or order in the circuit file
- Change initial condition of device such as capacitor
- Change multi-analysis options, such as temperature, parameter, or MC sweep
- Topology changes for digital and mixed signal circuits:
 - Changes in IO Model
 - Changes in IO_LEVEL
 - Changes in Timing models
 - Changes in minimum time and maximum delay properties
 - Change in the stimulus source

PSpice User Guide

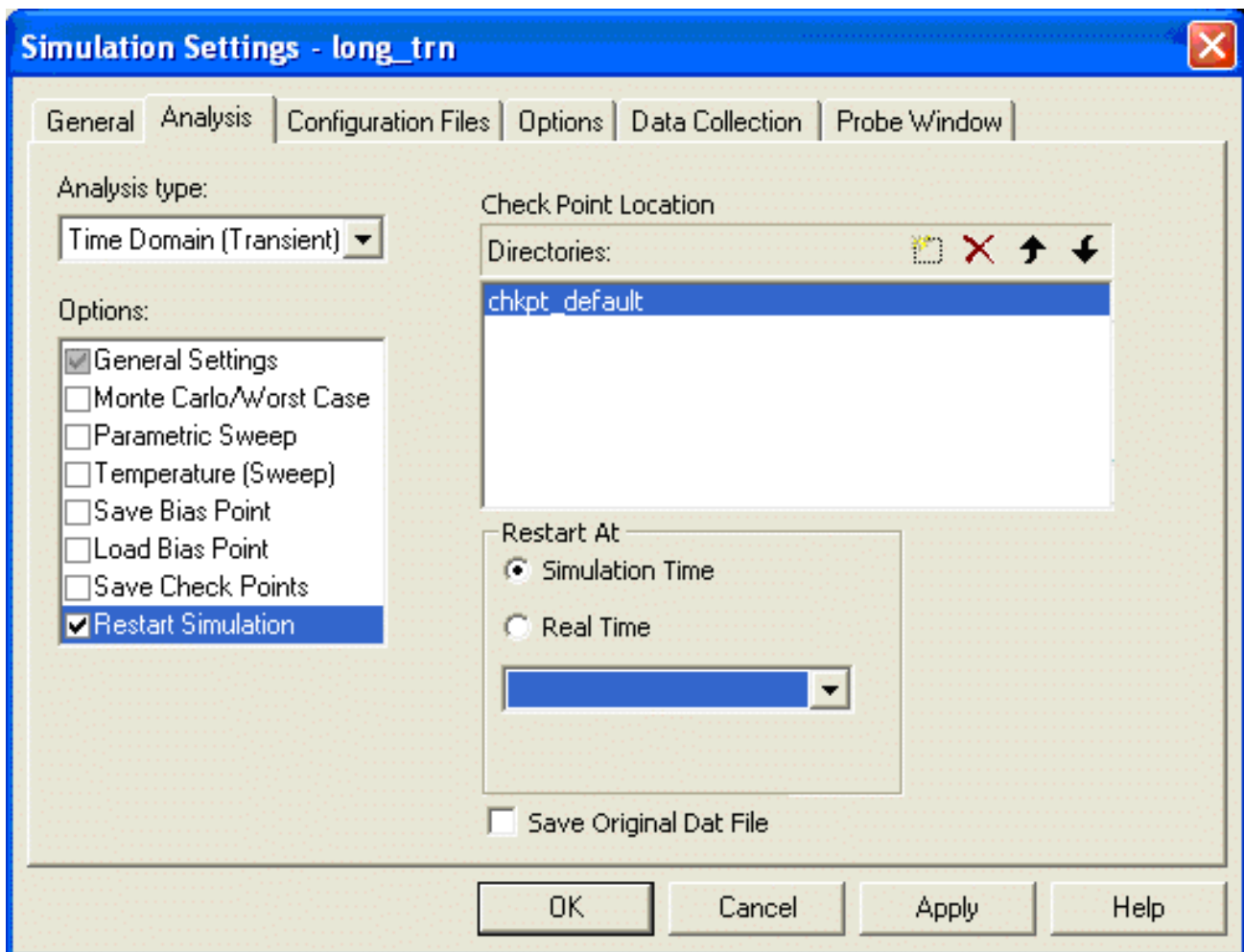
Transient analysis

Important

Multi analysis options are not supported currently. If you select multi analysis and enable Save Checkpoint option, the simulation will run but Checkpoint states will not be saved.

To restart simulation from a CheckPoint:

1. Choose *PSpice - Edit Simulation Profile*
2. In the *Analysis* tab, check the *Restart Simulation* option.



3. Ensure that the correct CheckPoint location is selected in the *Check Point Location* box.

PSpice User Guide

Transient analysis

4. From the *Restart At* box, select any one of the *Simulation Time* or *Real Time* options
5. Select the time from the list and click *OK*.
6. Run the simulation

You can also edit the circuit file to specify the restart point. The syntax for the restart option is:

```
.restart CheckPoint_name state_number [0/1]
```

Where,

0	Original DAT file is overwritten
1	Original DAT file is saved as checkpoint_<DAT_file_name>.dat

You can check the Save Original Dat File option to ensure that the original file is not overwritten.

For example, to restart a simulation from the 20th saved state of the CheckPoint D:/simdata/checkset1:

```
.restart "D:/simdata/checkset1" state20
```

The Stimulus Editor utility

The Stimulus Editor is a utility that allows you to quickly set up and verify the input waveforms for a transient analysis. You can create and edit voltage sources, current sources, and digital stimuli for your circuit. Menu prompts guide you to provide the necessary parameters, such as the rise time, fall time, and period of an analog repeating pulse, or the complex timing relations with repeating segments of a digital stimulus. Graphical feedback allows you to quickly verify the waveform. See the Stimulus Editor online help for more information about this utility.

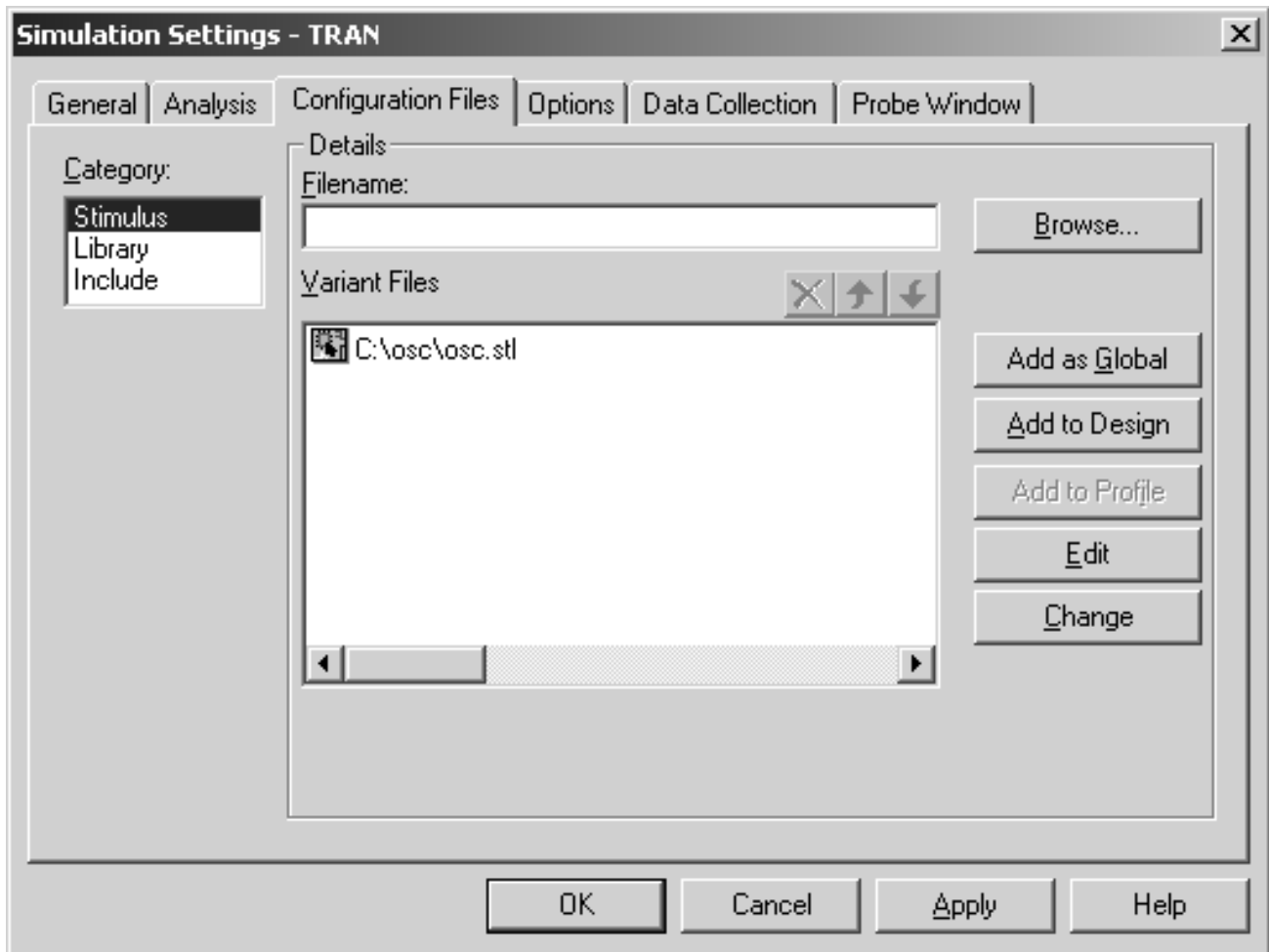
Note: If you are using a PSpice product that does not include the Stimulus Editor, you must use the characterized-by-property sources listed in [Table 12-1](#) on page 534.

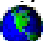
Stimulus files

The Stimulus Editor produces a file containing the stimuli with their transient specification. These stimuli are defined as simulator device declarations using the V (voltage source), I (current source), and U STIM (digital stimulus generator) forms. Since the Stimulus Editor produces these statements automatically, you will never have to be concerned with their syntax. However, if you are interested in a detailed description of their syntax, see the descriptions of V and I devices in the *Analog Devices* chapter and stimulus generator in the *Digital Devices* chapter of the online *PSpice Reference Guide*.

Configuring stimulus files

The Stimulus files list in the Configuration Files tab of the Simulation Settings dialog box allows you to view the list of stimulus files pertaining to your current schematic.



You can also manually add, delete, or change the stimulus file configuration in this tab dialog box. The list box displays all of the currently configured stimulus files. One file is specified per line. Files can be configured as either global to the Capture environment, local to the current design, or only for the current profile. Global files are marked with the  icon before the file name.

When starting the Stimulus Editor from Capture, stimulus files are automatically configured (added to the list) as local to the current design. Otherwise, new stimulus files can be added to the list by

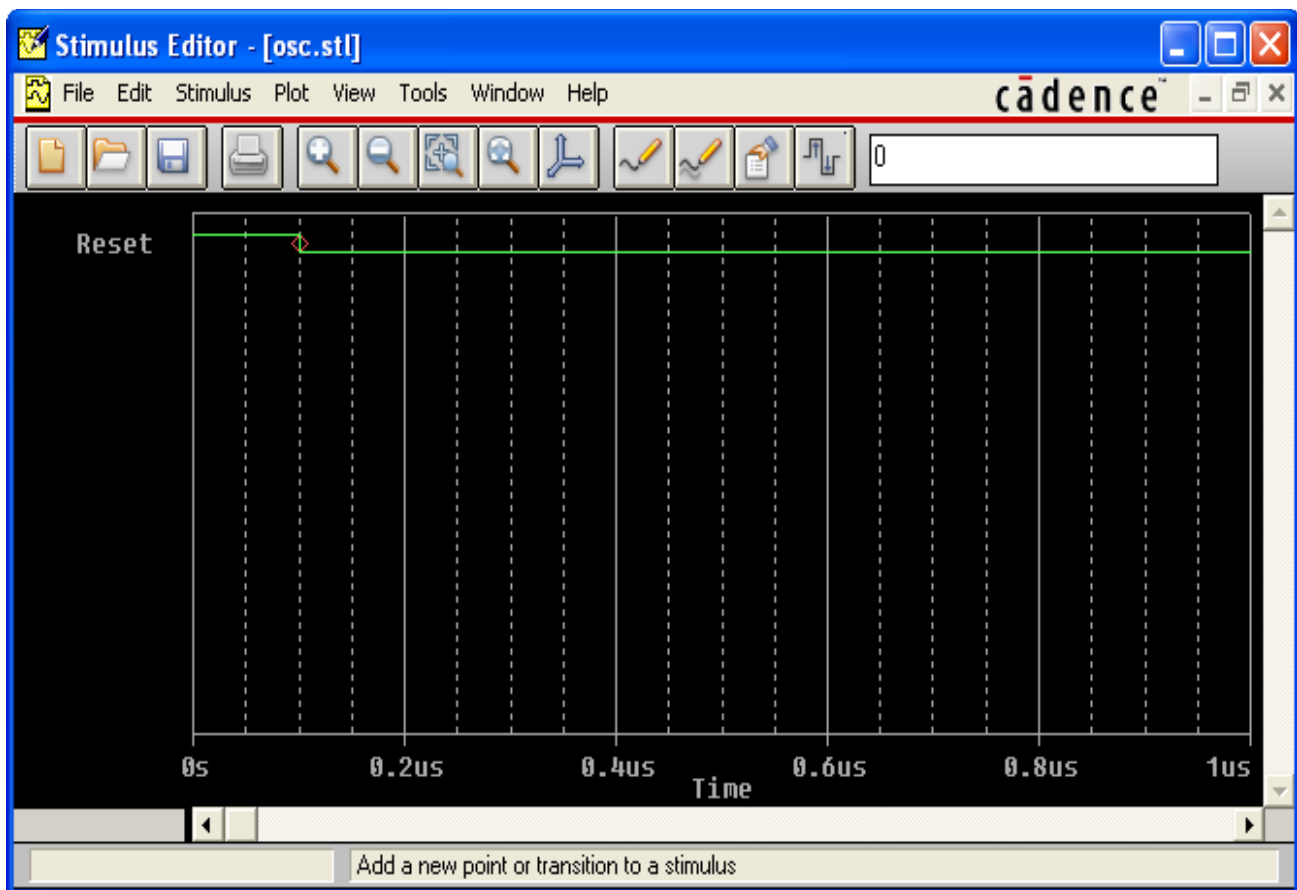
PSpice User Guide

Transient analysis

entering the file name in the Filename text box and then clicking the Add to Profile (profile specific configuration), Add to Design (local configuration) or Add as Global (global configuration) button.

Starting the Stimulus Editor

The Stimulus Editor is fully integrated with Capture and can be run from either the schematic editor or symbol editor.



You can start the Stimulus Editor by doing the following:

1. Select one or more stimulus instances in the schematic.
2. From the Edit menu, choose PSpice Stimulus.

When you first start the Stimulus Editor, you may need to adjust the scale settings to fit the trace you are going to add. You can use Axis Settings on the Plot menu or the corresponding toolbar button to change the displayed data, the extent of the scrolling region, and the

minimum resolution for each of the axes. Displayed Data Range parameters determine what portion of the stimulus data set will be presented on the screen. Extent of Scrolling Region parameters set the absolute limits on the viewable range. Minimum Resolution parameters determine the smallest usable increment (example: if it is set to 1 msec, then you cannot add a data point at 1.5 msec).

Defining stimuli

1. Place stimulus part instances from the symbol set: VSTIM, ISTIM and DIGSTIMn (found in the SOURCSTM.OLB part library).
2. Click the source instance to select it.
3. From the Edit menu, choose PSpice Stimulus to start the Stimulus Editor.
4. Fill in the transient specification according to the dialogs and prompts.

Piecewise linear and digital stimuli can be specified by direct manipulation of the input waveform display.

5. From the File menu, choose Save to save the edits.
6. Click Yes to update the schematic.

See [Chapter 14, “Digital simulation.”](#) for detailed information about creating digital stimuli.

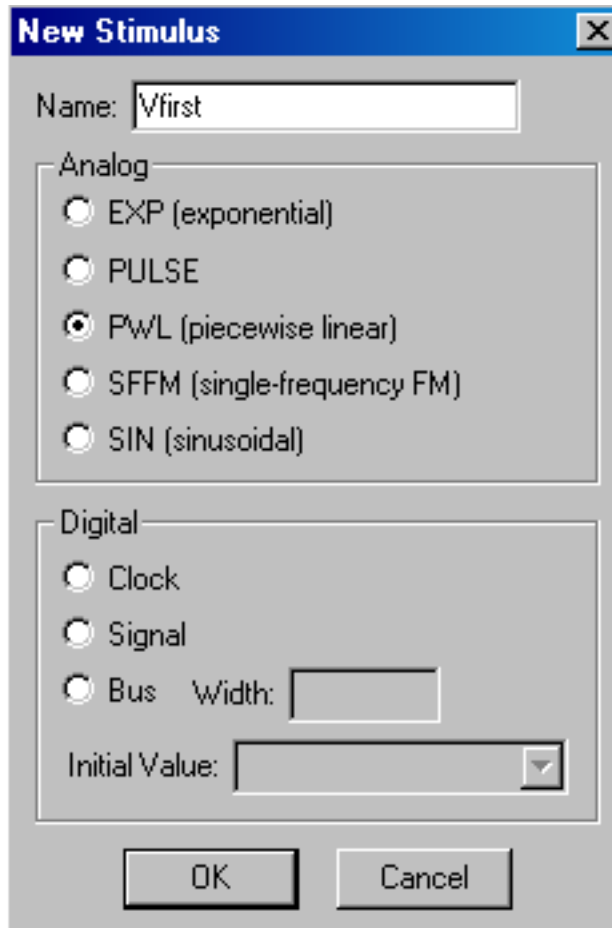
Example: piecewise linear stimulus

1. Open an existing schematic or start a new one.
2. From the Place menu, choose Part and browse the SOURCSTM.OLB part library file for VSTIM (and select it).
3. Place the part. It looks like a regular voltage source with an implementation property displayed.
4. Click the implementation label and type `Vfirst`. This names the stimulus that you are going to create.

PSpice User Guide

Transient analysis

5. If you are working in a new schematic, choose Save from the File menu. This schematic save step is necessary since the schematic name is used to create the default stimulus file name.
6. Click the VSTIM part to select it.
7. From the Edit menu, choose PSpice Stimulus. This starts the Stimulus Editor and displays the New Stimulus dialog box. You can see that the stimulus already has the name of Vfirst.



8. Select PWL in the dialog box and click OK. The cursor looks like a pencil. The message in the status bar at the bottom of the screen lets you know that you are in the process of adding new data points to the stimulus. The left end of the bottom status bar displays the current coordinates of the cursor.
9. Move the cursor to (200ns, 1) and click the left mouse button. This adds the point. Notice that there is automatically a point at

PSpice User Guide

Transient analysis


(0,0). Ignore it for now and continue to add a couple more points to the right of the current one.

10. Click-right to stop adding points.

11. From the File menu, choose Save.

If you make a mistake or want to make any changes, reshape the trace by dragging any of the handles to a new location. The dragged handle cannot pass any other defined data point.


To delete a point, click its handle and press *Delete*.

To add additional points, either choose Add Point from the Edit menu, press *Alt+A*, or click the Add Point toolbar button .

At this point you can return to Capture, edit the current stimulus, or go on to create another.

Example: sine wave sweep

This example creates a 10k sine wave with the amplitude parameterized so that it can be swept during a simulation.

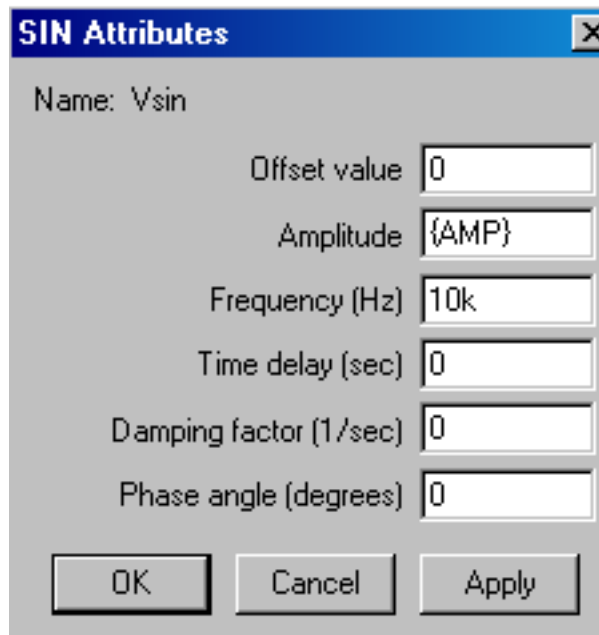
1. Open an existing schematic or start a new one.
2. Place a VSTIM part on your schematic.
3. To name the stimulus, double-click the implementation property and type V_{sin} .
4. Click the VSTIM part to select it.
5. From the PSpice menu, choose Edit Stimulus to start the Stimulus Editor.
6. Define the stimulus parameter for amplitude:
 - a. From the New Stimulus dialog box, choose Cancel.
 - b. From the Tools menu, choose Parameters.
 - c. Enter $AMP=1$ in the Definition text box, and click OK.
 - d. From the Stimulus menu, choose New or click the New Stimulus button  in the toolbar.
 - e. Give the stimulus the name of V_{sin} .

PSpice User Guide

Transient analysis

- f. Select SIN as the type of stimulus to be created, and click OK.

7. Define the other stimulus properties:



The image shows a dialog box titled "SIN Attributes" with a close button (X) in the top right corner. The "Name" field is set to "Vsin". Below this are several input fields with their respective values: "Offset value" is 0, "Amplitude" is {AMP}, "Frequency (Hz)" is 10k, "Time delay (sec)" is 0, "Damping factor (1/sec)" is 0, and "Phase angle (degrees)" is 0. At the bottom of the dialog are three buttons: "OK", "Cancel", and "Apply".

- a. Enter 0 for Offset Value.
 - b. Enter {AMP} for Amplitude. The curly braces are required. They indicate that the expression needs to be evaluated at simulation time.
 - c. Enter 10k for Frequency and click OK.
 - d. From the File menu, choose Save.
 - e. Click Yes to update the schematic.
8. Within Capture, place and define the PARAM symbol:
- a. From the Place menu, choose Part.
 - b. Either browse SPECIAL.OLB for the PARAM part or type in the name.
 - c. Place the part on your schematic and double-click it.
 - d. Click New to add a new user property.
 - e. Set the value property name to AMP (no curly braces).

PSpice User Guide

Transient analysis

- f. Set the value of the AMP property to 1.
9. Set up the parametric sweep and other analyses:
 - a. From the PSpice menu, choose Edit Simulation Profile, and select the Parametric Sweep option.
 - b. Select Global Parameter in the Swept Var. Type frame.
 - c. Select Linear in the Sweep type frame.
10. Enter AMP in the Parameter name text box.
11. Specify values for the Start Value, End Value, and Increment text boxes.

You can now set up your usual Transient, AC, or DC analysis and run the simulation.

Creating new stimulus symbols

1. Use the Capture part editor to edit or create a part with the following properties:

Property	Value
Implementation Type	PSpice Stimulus
Implementation	Name of the stimulus model
STIMTYPE	Type of stimulus; valid values are ANALOG or DIGITAL; if this property is nonexistent, the stimulus is assumed to be ANALOG

Editing a stimulus

To edit an existing stimulus


1. Start the Stimulus Editor and select File, Open to open the required Stimulus library.
2. Double-click the trace name (at the bottom of the X axis for analog and to the left of the Y axis for digital traces.) This opens the Stimulus Attributes dialog box where you can modify the attributes of the stimulus directly and immediately see the effect of the changes.

To edit a PWL stimulus

Note: PWL stimuli are a little different since they are a series of time/value pairs.

1. Double-click the trace name. This displays the handles for each defined data point.
2. Click any handle to select it. To reshape the trace, drag it to a new location. To delete the data point, press *Delete*.
3. To add additional data points, either select Add from the Edit menu or click the Add Point button.
4. Right-click to end adding new points.

To select a time and value scale factor for PWL stimuli

1. Select the PWL trace by clicking on its name.
2. Select Attributes from the Edit menu or click the corresponding toolbar button  .

Note: The above procedure provides a fast way to scale a PWL stimulus.

Deleting and removing traces

To delete a trace from the displayed screen, select the trace name by clicking on its name, then press *Delete*. This will only erase the display of the trace, not delete it from your file. The trace is still available by selecting Get from the Stimulus menu.

To remove a trace from a file, select Remove from the Stimulus menu.

Note: Once a trace is removed, it is no longer retrievable. Remove traces with caution.

Manual stimulus configuration

Stimuli can be characterized by manually starting the Stimulus Editor and saving their specifications to a file. These stimulus specifications can then be associated to stimulus instances in your schematic or to stimulus symbols in the symbol library.

To manually configure a stimulus

1. Start the Stimulus Editor by choosing the Stimulus Editor icon from the Windows Start menu, installed OrCAD program group, PSpice Accessories option.
2. Open a stimulus file by choosing Open from the File menu. If the file is not found in your current library search path, you are prompted for a new file name.
3. Create one or more stimuli to be used in your schematic. For each stimulus:
 - a. Name it whatever you want. This name will be used to associate the stimulus specification to the stimulus instance in your schematic, or to the symbol in the symbol library.
 - b. Provide the transient specification.
 - c. From the File menu, choose Save.
4. In the schematic page editor, configure the Stimulus Editor's output file into your schematic:

PSpice User Guide

Transient analysis

- a. From the PSpice menu, choose Edit Simulation Profile to display the Simulation Settings dialog box.
 - b. In the Simulation Settings dialog box, select the Configuration Files tab.
 - c. Click Include in the Category field to display the Include files list.
 - d. Enter the file name specified in step 2.
 - e. If the stimulus specifications are for only for the current profile, click the Add to Profile button. For local use in the current design, click the Add to Design button. For global use by any design, use Add as Global instead.
 - f. Click OK.
5. Modify either the stimulus instances in the schematic or symbols in the symbol library to reference the new stimulus specification.
6. Associate the transient stimulus specification to a stimulus instance:
 - a. Place a stimulus part in your schematic from the part set: VSTIM, ISTIM, and DIGSTIMn.
 - b. Click the VSTIM, ISTIM, or DIGSTIMn instance.
 - c. From the Edit menu, choose Properties.
 - d. Click the Implementation cell, type in the name of the stimulus, and click Apply.
 - e. Complete specification of any VSTIM or ISTIM instances by selecting Properties from the Edit menu and editing their DC and AC attributes.

Click the DC cell and type its value.

Click the AC cell, type its value, and then click Apply.
 - f. Close the property editor spreadsheet.
7. To change stimulus references globally for a part:
 - a. Select the part you want to edit.
 - b. From the Edit menu, choose Part to start the part editor.

PSpice User Guide

Transient analysis

See [Chapter 5, “Creating parts for models.”](#) for a description of how to create and edit parts.

- c. Create or change the part definition, making sure to define the following property:

Implementation	stimulus name as defined in the Stimulus Editor
----------------	---

Finding out more about the Stimulus Editor

To find out more about this...	See this...
Stimulus Editor	Stimulus Editor online help

Transient (time) response

The Transient response analysis causes the response of the circuit to be calculated from $TIME = 0$ to a specified time. A transient analysis specification is shown for the circuit `EXAMPLE.OPJ` in [Figure 12-1](#). (`EXAMPLE.OPJ` is shown in [Figure 12-2](#).)

PSpice User Guide

Transient analysis

The analysis is to span the time interval from 0 to 1000 nanoseconds and values should be reported to the simulation output file every 20 nanoseconds.

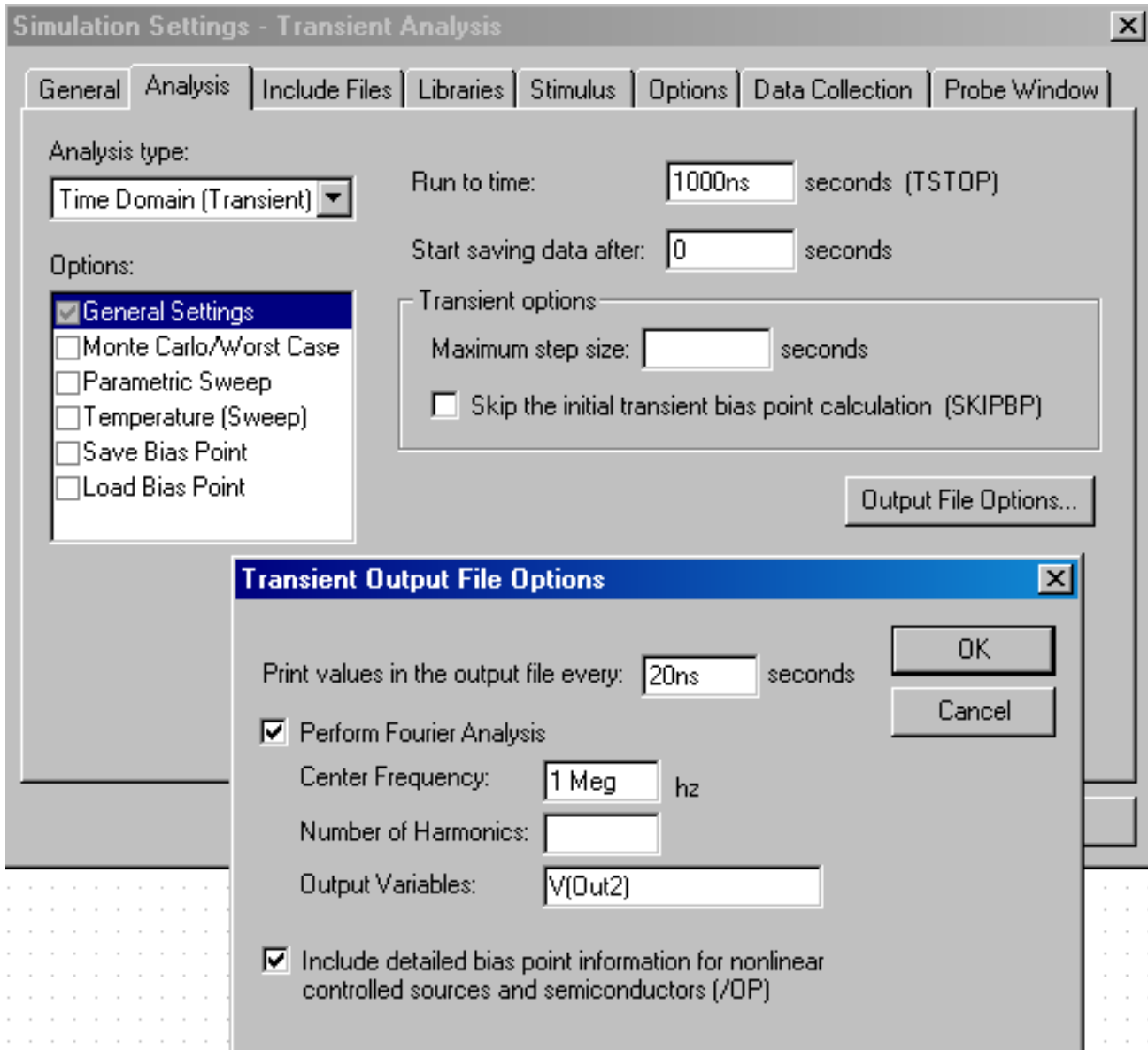


Figure 12-1 Transient analysis setup for EXAMPLE.OPJ.

During a transient analysis, any or all of the independent sources may have time-varying values. In EXAMPLE.OPJ, the only source which has a time-varying value is V1 (VSIN part) with attributes:

PSpice User Guide

Transient analysis

V_{OFF} = 0v
V_{AMPL} = 0.1v
FREQ = 5Meg

V₁'s value varies as a 5 MHz sine wave with an offset voltage of 0 volts and a peak amplitude of 0.1 volts.

In general, more than one source has time-varying values; for instance, two or more clocks in a digital circuit.

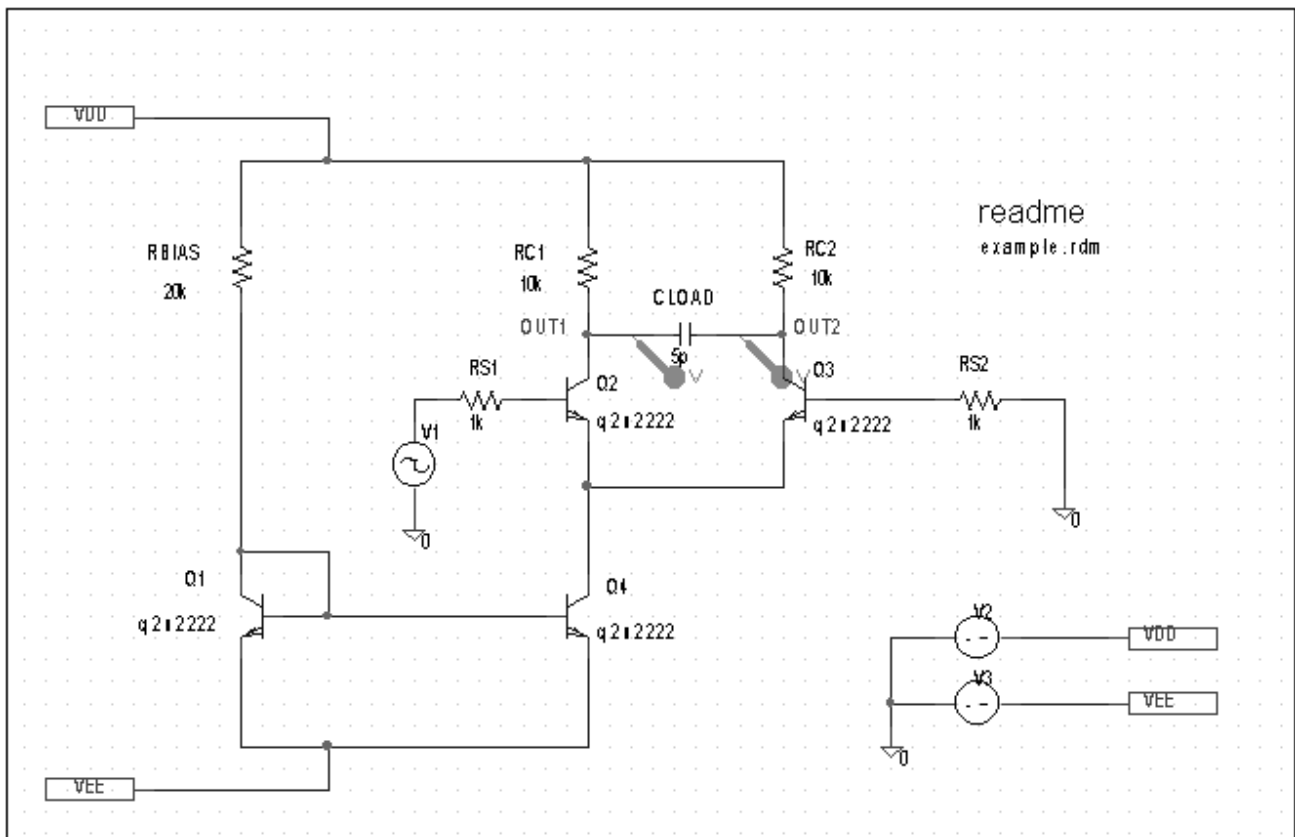


Figure 12-2 Example schematic EXAMPLE.OPJ.

Note: The example circuit EXAMPLE.OPJ is provided with the PSpice program.

The transient analysis does its own calculation of a bias point to start with, using the same technique as described for DC sweep. This is necessary because the initial values of the sources can be different from their DC values. In the simulation output file EXAMPLE.OUT, the bias point report for the transient bias point is labeled INITIAL TRANSIENT SOLUTION. To report the bias point information for

PSpice User Guide

Transient analysis

nonlinear controlled sources and semiconductors, choose the OP option from the Output File Options dialog box. This bias point information is reported in the output file under the OPERATING POINT INFORMATION section.

Internal time steps in transient analyses

During analog analysis, PSpice maintains an internal time step which is continuously adjusted to maintain accuracy while not performing unnecessary steps. During periods of inactivity, the internal time step is increased. During active regions, it is decreased. The maximum internal step size can be controlled by specifying it in the Maximum Time Step text box in the Transient dialog box. PSpice will never exceed either the step ceiling value or two percent of the total transient run time, whichever is less.

The internal time steps used may not correspond to the time steps at which information is reported. The values at the print time steps are obtained by second-order polynomial interpolation from values at the internal steps.

When simulating mixed analog/digital circuits, there are actually two time steps: one analog and one digital. This is necessary for efficiency. Since the analog and digital circuitry usually have very different time constants, any attempt to lock them together would greatly slow down the simulation. The time step shown on the PSpice display during a transient analysis is that of the analog section.

See [Chapter 14, “Digital simulation,”](#) for more information on the digital timing analysis of PSpice A/D.

Switching circuits in transient analyses

Running transient analysis on switching circuits can lead to long run times. PSpice must keep the internal time step short compared to the switching period, but the circuit's response extends over many switching cycles.

One method of avoiding this problem is to transform the switching circuit into an equivalent circuit without switching. The equivalent circuit represents a sort of quasi steady-state of the actual circuit and can correctly model the actual circuit's response as long as the inputs do not change too fast.

This technique is described in: V. Bello, "Computer Program Adds SPICE to Switching-Regulator Analysis," *Electronic Design*, March 5, 1981.

Plotting hysteresis curves

Transient analysis can be used to look at a circuit's hysteresis. Consider, for instance, the circuit shown in Figure 12-3 (netlist in Figure 12-4).

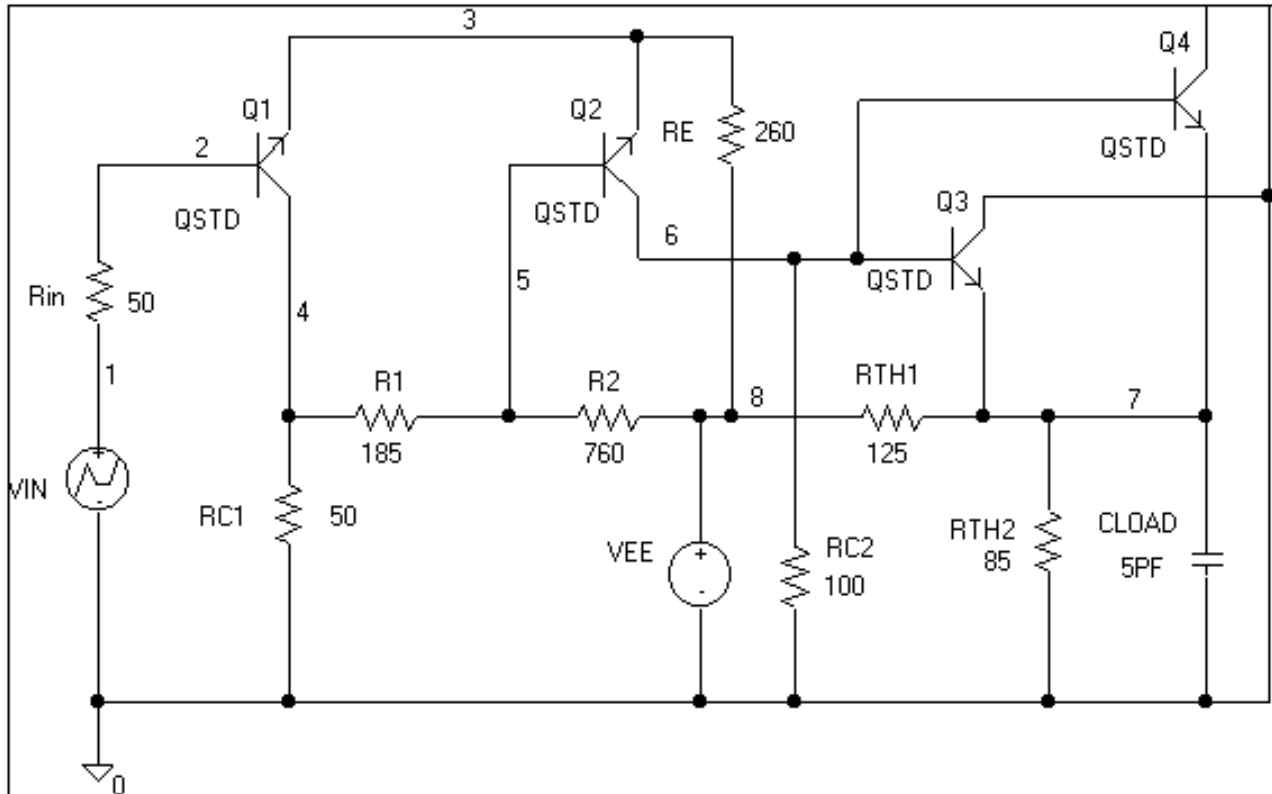


Figure 12-3 ECL-compatible Schmitt trigger.

PSpice User Guide

Transient analysis

```
* Capture Netlist

R_RIN      1 2 50
R_RC1      0 3 50
R_R1       3 5 185
R_R2       5 8 760
R_RC2      0 6 100
R_RE       4 8 260
R_RTH2     7 0 85
C_CLOAD    0 7 5PF
V_VEE      8 0 dc -5
V_VIN      1 0
+PWL 0 -8 1MS -1.0V 2MS -1.8V
R_RTH1     8 7 125
Q_Q1       3 2 4 QSTD
Q_Q2       6 5 4 QSTD
Q_Q3       0 6 7 QSTD
Q_Q4       0 6 7 QSTD
```

Figure 12-4 Netlist for Schmitt trigger circuit.

The QSTD model is defined as:

```
.MODEL QSTD NPN( is=1e-16 bf=50 br=0.1 rb=50 rc=10 tf=.12ns
tr=5ns
+ cje=.4pF pe=.8 me=.4 cjc=.5pF pc=.8 mc=.333 ccs=1pF va=50)
```

Instead of using the DC sweep to look at the hysteresis, use the transient analysis, (Print Step = .01ms and Final Time = 2ms) sweeping VIN from -1.8 volts to -1.0 volts and back down to -1.8 volts, very slowly. This has two advantages:

- it avoids convergence problems
- it covers both the upward and downward transitions in one analysis

After the simulation, in the Probe window in PSpice, the X axis variable is initially set to Time. By selecting X Axis Settings from the Plot menu and clicking on the Axis Variable button, you can set the X axis variable to V(1). Then use Add on the Trace menu to display V(7), and change the X axis to a user-defined data range from -1.8V to -1.0V (Axis Settings on the Plot menu). This plots the output of the

Schmitt trigger against its input, which is the desired outcome. The result looks similar to Figure 12-5.

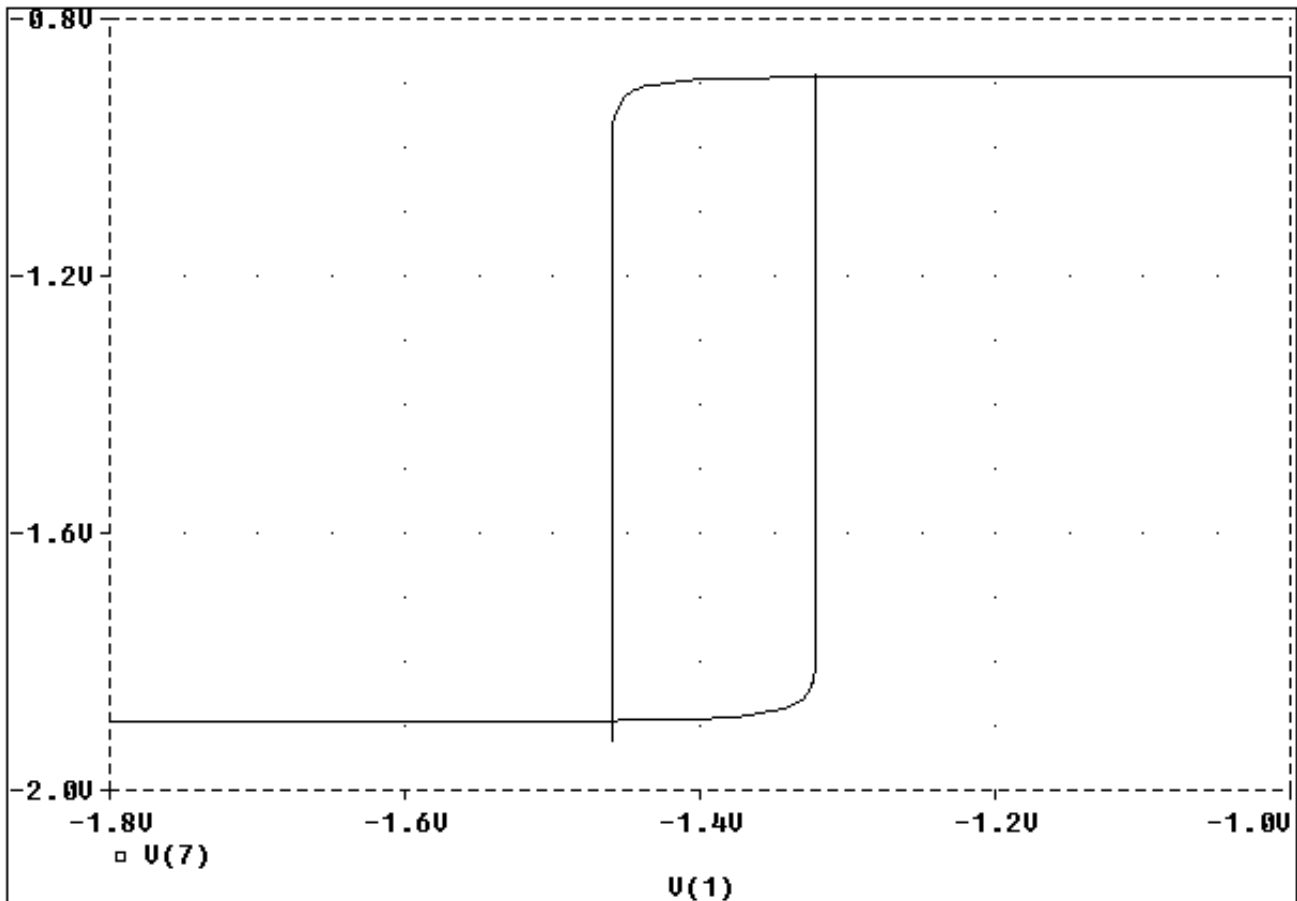


Figure 12-5 Hysteresis curve example: Schmitt trigger.

Fourier components

Fourier analysis is enabled through the Output File Options dialog box under the Time Domain (Transient) Analysis type. Fourier analysis calculates the DC and Fourier components of the result of a transient analysis. By default, the first through ninth components are computed; however, more can be specified.

Note: You must do a transient analysis in order to do a Fourier analysis. The sampling interval used during the Fourier transform is equal to the print step specified for the transient analysis.

PSpice User Guide

Transient analysis

When selecting Fourier to run a harmonic decomposition analysis on a transient waveform, only a portion of the waveform is used. Using the Probe window in PSpice, a Fast Fourier Transform (FFT) of the complete waveform can be calculated and its spectrum displayed.

In the example shown in [Figure 12-1](#) on page 555, the voltage waveform at node OUT2 from the transient analysis is used and the fundamental frequency is one megahertz for the harmonic decomposition. The period of fundamental frequency is one microsecond (inverse of the fundamental frequency). Only the last one microsecond of the transient analysis is used, and that portion is assumed to repeat indefinitely. Since V1's sine wave does indeed repeat every one microsecond, this is sufficient. In general, however, you must make sure that the fundamental Fourier period fits the waveform in the transient analysis.

PSpice User Guide

Transient analysis

Monte Carlo and sensitivity (worst-case) analyses

Chapter overview

This chapter describes how to set up Monte Carlo and sensitivity (worst-case) analyses and includes the following sections:

- [Statistical analyses](#) on page 566
- [Monte Carlo analysis](#) on page 578
- [Worst-case analysis](#) on page 602

Statistical analyses

Monte Carlo and sensitivity (worst-case) are statistical analyses. This section describes information common to both types of analyses.

See [Monte Carlo analysis](#) on page 578 for information specific to Monte Carlo analyses, and see [Worst-case analysis](#) on page 602 for information specific to sensitivity (worst-case) analyses.

Overview of statistical analyses

The Monte Carlo and worst-case analyses vary the lot or device tolerances of devices between multiple runs of an analysis (DC, AC, or transient). Before running the analysis, you must set up the model and/or lot tolerances of the model parameter to be investigated.

A Monte Carlo analysis performs a Monte Carlo (statistical) analysis of the circuit. A worst-case analysis performs a sensitivity and worst-case analysis of the circuit.

Sensitivity (worst-case) analyses are different from Monte Carlo analyses in that they compute the parameters using the sensitivity data rather than using random numbers.

You can run either a Monte Carlo or a worst-case analysis, but you *cannot* run both at the same time. Multiple runs of the selected analysis are done while parameters are varied. You can select only one analysis type (AC, DC, or transient) per run. The selected analysis is repeated in subsequent passes of the analysis.

Generating statistical results

As the number of Monte Carlo or worst-case runs increases, simulation takes longer and the data file gets larger. Large data files may be slow to open and slow to draw traces.

One way to work around this is to set up an overnight batch job to run the simulation and execute commands. You can even set up the batch job to produce a series of plots on paper to be ready for you in the morning.

Output control for statistical analyses

Monte Carlo and sensitivity (worst-case) analyses generate the following types of reports:

- Model parameter values used for each run (that is, the values with tolerances applied)
- Waveforms from each run, as a function of specifying data collection, or by specifying output variables in the analysis set up
- Summary of all the runs using a collating function

Output is saved to the data file for use by the waveform analyzer. For Monte Carlo analyses, you can use the performance analysis feature to produce histograms of derived data. For information about performance analysis, see [RLC filter example](#) on page 520. For information about histograms, see [Creating histograms](#) on page 596.

Model parameter values reports

To produce a list of the model parameters actually used for each run,

1. In the Simulation Settings dialog box, click the Analysis tab.
2. From the Analysis type list, select an analysis type.
3. Under Options, select Monte Carlo/Worst Case.
4. Click the More Settings button.
5. Select List model parameter values.
6. Click OK to close the Simulation Settings dialog box.

This list is written to the simulation output file at the beginning of the run and contains the parameters for each device, as opposed to the parameters for each .MODEL statement. This is because devices can have different parameter values when using a model statement containing a DEV tolerance.

Note that for midsize and large circuits, the List option can produce a large output file.

Monte Carlo history support

Using the history support feature of Monte Carlo, you can store the model parameter values used for each Monte Carlo run, in a separate file, and later reuse these values.

For every Monte Carlo run, the model parameter values are generated randomly within the tolerance range specified by you. With the history support feature, you can save these randomly generated values and reuse exactly the same values in the next analysis.

The Monte Carlo history support feature allows you to compare the results of two Monte Carlo analyses by manually changing only one or more parameter values. For comparison between simulations, the random numbers have to remain the same for the tolerated model parameters and this can be achieved using the Monte Carlo history support feature.

Saving parameter values in a file

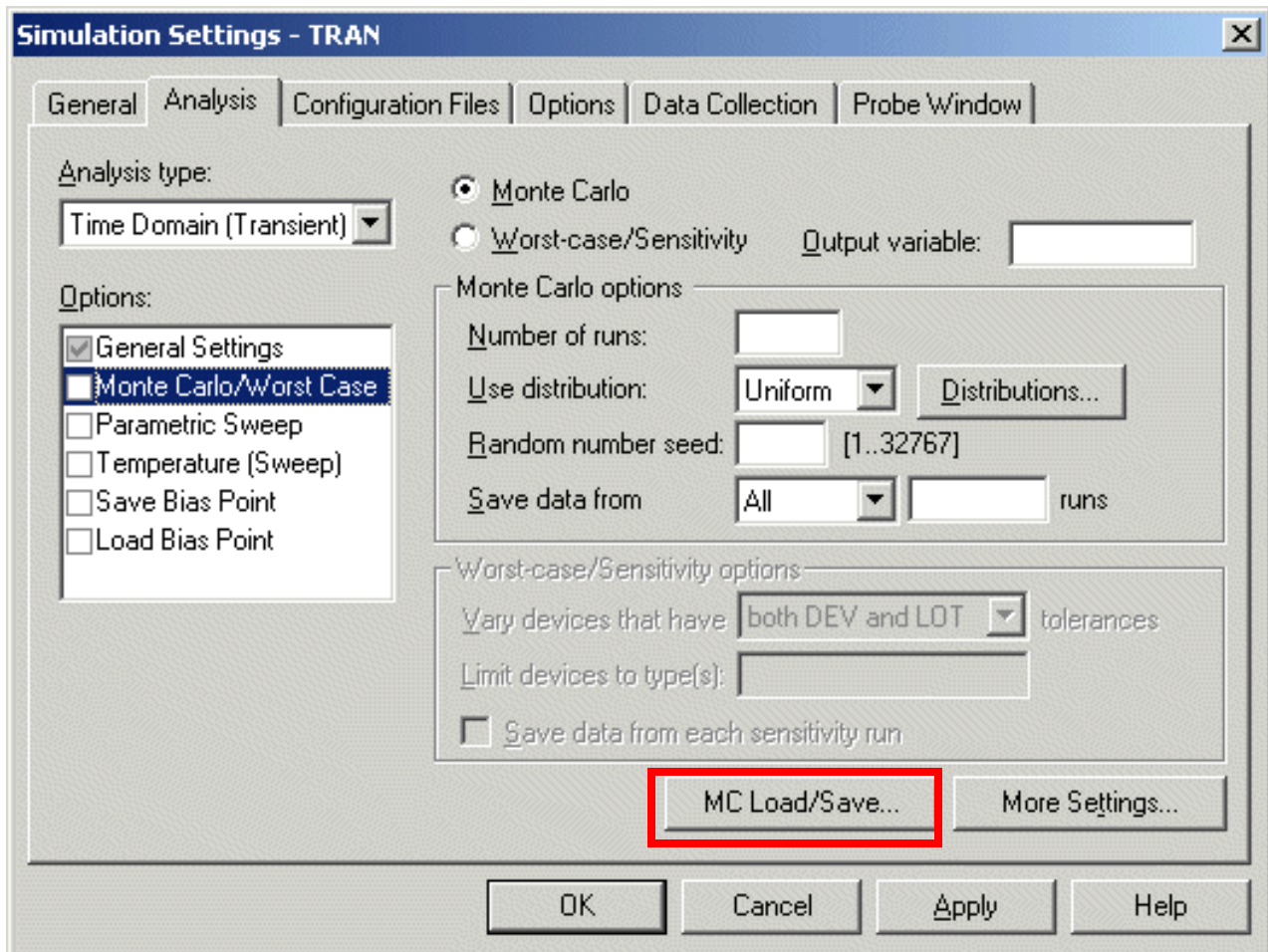
To enable saving of the randomly generated model parameter values:

1. Select *PSpice > Edit Simulation Profile*.
2. In the Simulation Settings dialog box, select the Analysis tab.
3. Select the Analysis type as transient, DC or AC/Noise.
4. In the Options list select Monte Carlo/Worst Case.

PSPICE User Guide

Monte Carlo and sensitivity (worst-case) analyses

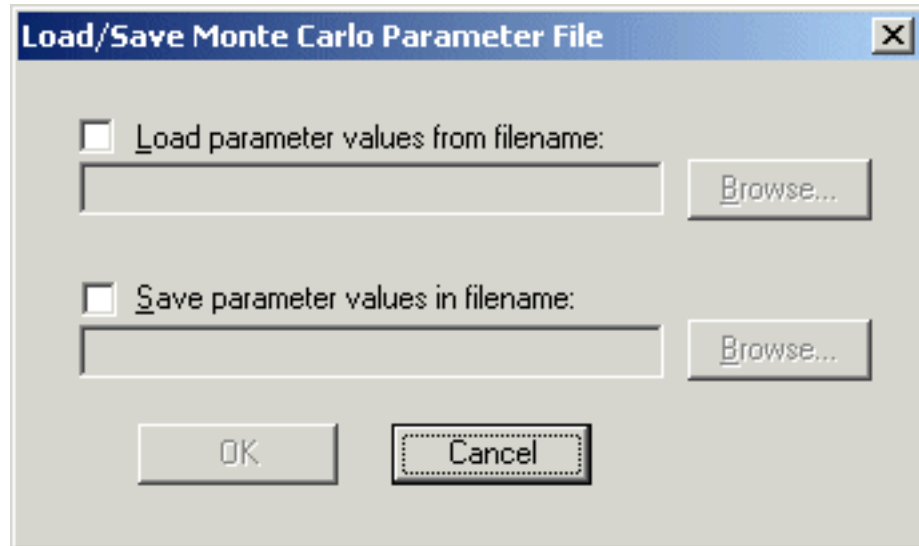
5. Select the MC Load/Save button.



PSpice User Guide

Monte Carlo and sensitivity (worst-case) analyses

6. In the Load/Save Monte Carlo Parameter File dialog box, select the *Save parameter values in filename:* check box.



7. In the text box that is enabled, specify the name and the location of the file in which the parameter data is to be saved.
8. Click OK to save your settings.

If you now run the Monte Carlo analysis, the model parameter values used for various simulation runs will be stored in the `.mcp` file specified by you.

Reusing parameter values

To reuse model parameter values from a previous Monte Carlo analysis:

1. Select *PSpice > Edit Simulation Profile*.
2. In the Simulation Settings dialog box, select the Analysis tab.
3. Select the Analysis type as transient, DC or AC/Noise.
4. In the Options list select Monte Carlo/Worst Case.
5. Select the MC Load/Save button.
6. In the Load/Save Monte Carlo Parameter File dialog box, select the *Load parameter values in filename:* check box.

PSpice User Guide

Monte Carlo and sensitivity (worst-case) analyses

7. In the text box that is enabled, specify the name and the location of the `.mcp` file from which the parameter data is to be read.
8. Click OK to save your settings.

Now when you run the Monte Carlo analysis, the simulator will reuse all the model parameter values stored in the `.mcp` files. Any new or additional parameter values will be varied separately with in the tolerance range.

While reusing values from a `.mcp` file, you must take care of the points listed below.

1. When you use the Monte Carlo history support feature, the values stored in a `.mcp` file for model parameters are different from the values stored for components, such as resistor, capacitor, and inductor. In case of model parameters, actual parameter values used for simulation are stored. Whereas in case of the components, instead of the actual value, the multiplication factor used for generating the random values are stored.

[Table 13-1](#) on page 571 lists down the actual entries recorded in a `.mcp` file for a model parameter and a resistor.

Table 13-1 Entries in a `.mcp` file

For a model parameter: base value 100 tolerance 10%	For a resistor: base value 100 tolerance 10%
1.00000e+002	1
1.02747e+002	1.002
1.07986e+002	.986
1.04803e+002	1.003
9.17754e+001	.9912

The difference in the method used for storing values from previous Monte Carlo runs, is highlighted when you change the original value of a parameter and also choose to reuse the values from a previous Monte Carlo run.

PSpice User Guide

Monte Carlo and sensitivity (worst-case) analyses

For example, if you change the original base value of a model parameter from 100 to 50 and reuse the values from an `.mcp` file, the simulation results will be based on the original parameter value, which is 100. Whereas, in case you change the value of a resistor from 100Ω to 10Ω , and reuse the values from a `.mcp` file, simulation results will be based on the changed value of 10Ω .

2. If the number of Monte Carlo runs is greater than the number of values in the `.mcp` file, PSpice simulator will first reuse all the values from the `.mcp` file and then for rest of the runs, the random values will be generated using the base value and the tolerance defined for the parameter in the schematic.

For example, consider that for a particular model parameter, the `.mcp` file from which the parameter data is to be read has 10 entries, but for the current simulation, 20 Monte Carlo runs are required. In such cases, for the first 10 Monte Carlo runs the values will be read from the `.mcp` file. For the last 10 runs, the simulator will calculate the values using the base value of the model parameter and the tolerance specified on it.

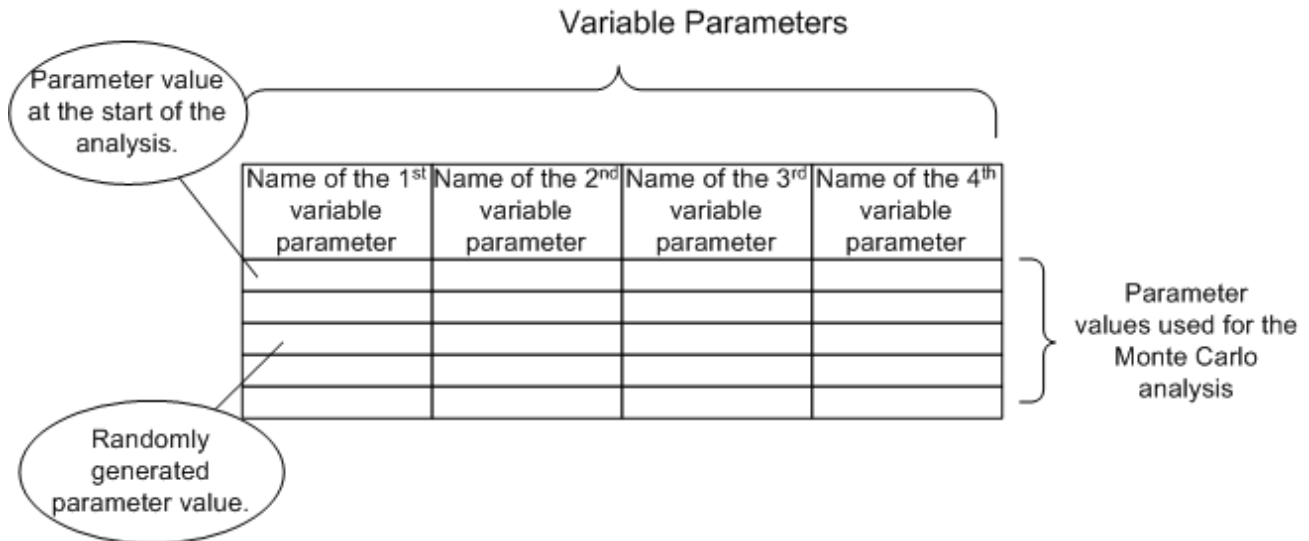
The Monte Carlo Parameter (`.mcp`) file

When you use the Monte Carlo history support feature, you either generate a Monte Carlo Parameter (`.mcp`) file or use parameters from a `.mcp` file. A `.mcp` file is a text file that stores the parameter information generated during Monte Carlo analysis. The data is stored in a tabular format with the data values separated by *white spaces*, *blanks*, or *tabs*. Each column in a `.mcp` file indicates a parameter whose values were varied during the Monte Carlo analysis.

PSpice User Guide

Monte Carlo and sensitivity (worst-case) analyses

The format for a .mcp file is shown below:



In a .mcp file, the name of the variable parameter is defined using the following format:

```
<instance_name>::ParameterName.
```

<p>where...</p> <p>instance_name</p> <p>ParameterName</p>	<p>indicates...</p> <p>reference designator or the name that appears in the PSpice netlist</p> <p>indicates whether the component is a resistor, capacitor, transistor, and so on.</p>
---	--

For example, if the name of the variable parameter is R_U2_R2 : :R, R_U2_R2 is the reference designator and R indicates the parameter name, which in this case is a resistor.

PSpice User Guide

Monte Carlo and sensitivity (worst-case) analyses

A sample .mcp file that has three parameters values varied is shown below.

```
C_U2_C2::C      R_U1_R1::R      R_U1_R2::R
1.00000e+000    1.00000e+000    1.00000e+000
1.03859e+000    9.94929e-001    9.94938e-001
1.01677e+000    9.96618e-001    1.00573e+000
9.94697e-001    1.00455e+000    9.99755e-001
9.93533e-001    9.98663e-001    1.00048e+000
```

Waveform reports

For Monte Carlo analyses, there are five variations of the output that you can specify in the Save data from text box on the Monte Carlo dialog box. Options:

<none>	No output is generated
All	Forces all output to be generated (including nominal run)
First*	Generates output only during the first <i>n</i> runs
Every*	Generates output for every <i>n</i> th run
Runs(list)*	Does specified analysis and generates outputs only for the listed runs (up to 25 values can be specified in the list)

The * indicates that you can set the number of runs in the runs text box.

Values for the output variables specified in the selected analyses are saved to the simulation output file and data file.

Note: In excess of about 10 runs, the waveform display can look more like a band than a set of individual waveforms. This can be useful for seeing the typical spread for a particular output variable. As the number of runs increases, the spread more closely approximates the actual worst-case limits for the circuit.

Note: Even a modest number of runs can produce large output files.

Collating functions

You can further compress the results of Monte Carlo and worst-case analyses. If you use the collating function, a single number represents each run. (Click the More Settings Options button and select a function from the Find list.) A table of deviations per run is reported in the simulation output file.

Collating functions are listed in Table [13-2](#).

Table 13-2 Collating functions used in statistical analyses

Function	Description
YMAX	Find the greatest difference in each waveform from the nominal
MAX	Find the maximum value of each waveform
MIN	Find the minimum value of each waveform
RISE_EDGE	Find the first occurrence of the waveform crossing above a specified threshold value
FALL_EDGE	Find the first occurrence of the waveform crossing below a specified threshold value

Temperature considerations in statistical analyses

The statistical analyses perform multiple runs, as does the temperature analysis. Conceptually, the Monte Carlo and worst-case loops are inside the temperature loop.

However, since both temperature and tolerances affect the model parameters, OrCAD recommends not using temperature analysis when using Monte Carlo or worst-case analysis.

Also, you cannot sweep the temperature in a DC sweep analysis or put tolerances on temperature coefficients while performing one of these statistical analyses. In `EXAMPLE.OPJ`, the temperature value is fixed at 35° C.

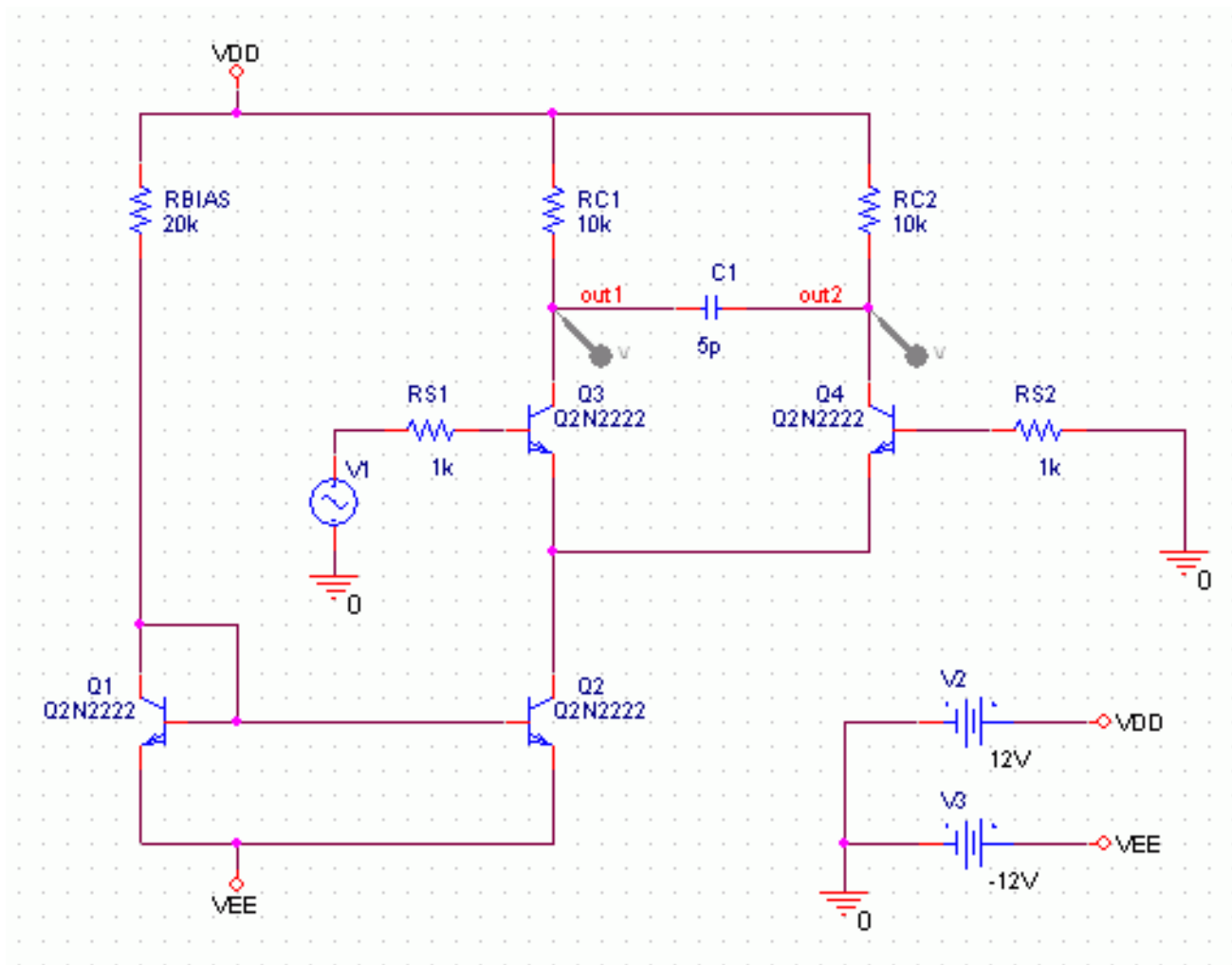


Figure 13-1 Example schematic EXAMPLE.OPJ.

Note: The example schematic EXAMPLE.OPJ is provided with the installed programs.

Monte Carlo analysis

The Monte Carlo analysis calculates the circuit response to changes in part values by randomly varying all of the model parameters for which a tolerance is specified. This provides statistical data on the impact of a device parameter's variance.

Monte Carlo analysis is frequently used to predict yields on production runs of a circuit. With Monte Carlo analysis, model parameters are given tolerances, and multiple analyses (DC, AC, or transient) are run using these tolerances.

For `EXAMPLE.OPJ` in [Figure 13-1](#) on page 577, you can analyze the effects of variances in the values of resistors RC1 and RC2 by assigning a model description to these resistors that includes a 5% device tolerance on the multiplier parameter R. The steps for adding the 5% device tolerance are given below.

Then you can perform a Monte Carlo analysis. First, the simulator performs a DC analysis with the nominal R multiplier value for RC1 and RC2. Then it performs a set number of additional runs with the R multiplier varied independently for RC1 and RC2 within a 5% tolerance.

To modify example.opj and set up simulation

1. Replace RC1 and RC2 with RBREAK parts from the `BREAKOUT.OLB` part library, setting property values to match the resistors that are being replaced (`VALUE=10k`) and reference designators to match previous names.
2. Select an RBREAK part and choose PSpice Model from the Edit menu.

The Model Editor window appears.

3. Create the model CRES by replacing the model text:

```
.model Rbreak RES R=1
```

with the text:

```
.MODEL CRES RES ( R=1 DEV=5% TC1=0.02  
+ TC2=0.0045 )
```

Where TC1 is the linear temperature coefficient. TC2 is the quadratic temperature coefficient.

PSpice User Guide

Monte Carlo and sensitivity (worst-case) analyses

4. From the File menu in Model Editor, choose Save.

The schematic editor automatically attaches the CRES model to the selected RBREAK part by updating the IMPLEMENTATION property on the part.

5. Double-click the second RBREAK part to display the Parts spreadsheet.
6. In the IMPLEMENTATION text box, change the value to CRES, then click Apply.
7. Close the Parts spreadsheet.
8. From the File menu, choose Save. By default, Capture saves the definition to the model library `EXAMPLE.LIB` and automatically configures the file for local use with the current schematic.
9. In Capture, set up a new Monte Carlo analysis as shown in [Figure 13-1](#) on page 577. The analysis specification tells PSpice

PSpice User Guide

Monte Carlo and sensitivity (worst-case) analyses

to do one nominal run and four Monte Carlo runs, saving the DC analysis output from those five runs.

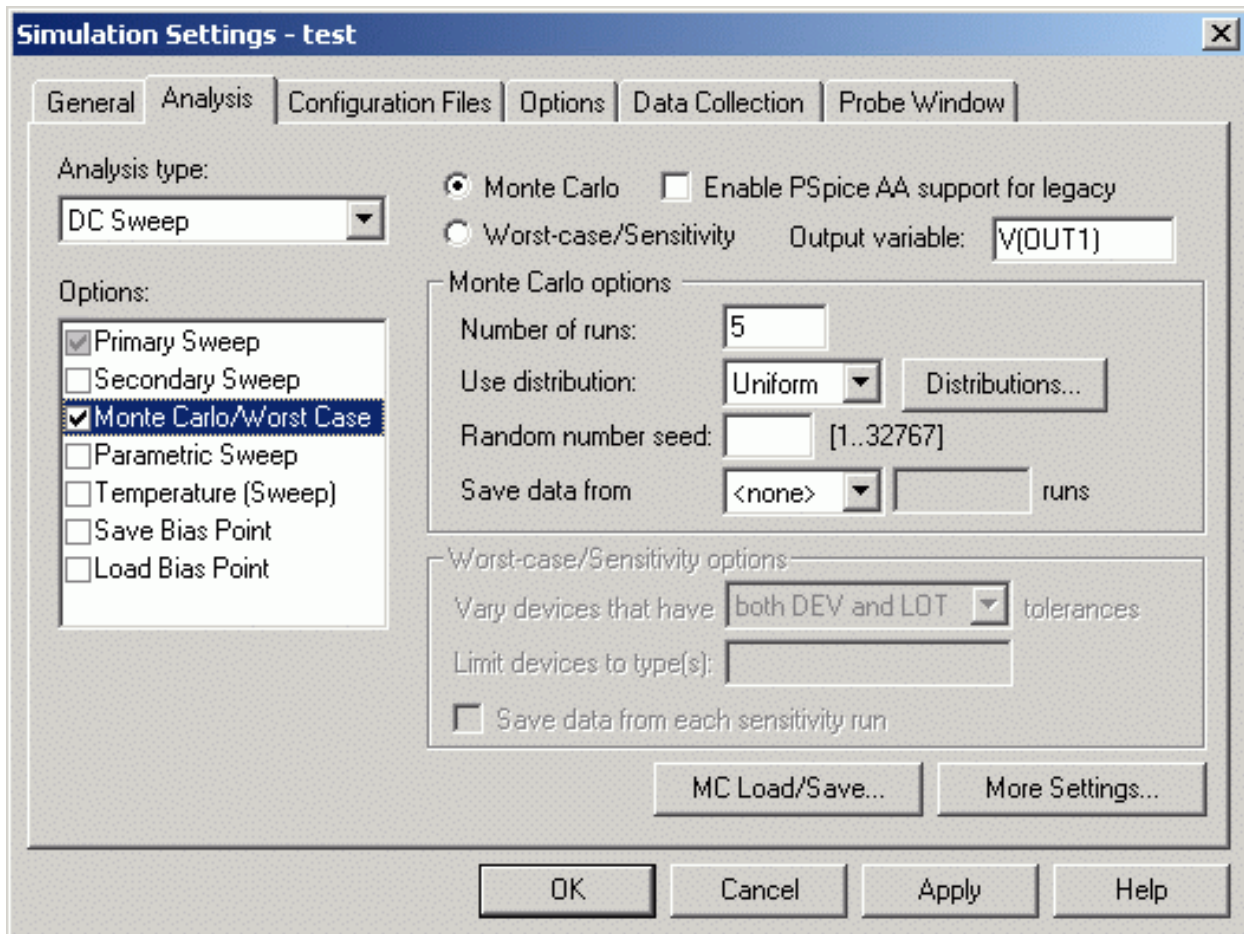


Figure 13-2 Monte Carlo analysis setup for EXAMPLE.OPJ.

Enter DC sweep settings in the Simulation Settings dialog box Analysis tab.

1. Select Voltage source in the Sweep variable frame.
2. Enter V2 in the Name text box.
3. Select Linear in the Sweep type frame.
4. Enter a 0 in the Start value text box.
5. Enter a 12 in the End value text box.
6. Enter a 1 in the Increment text box.

PSpice User Guide

Monte Carlo and sensitivity (worst-case) analyses

PSpice starts by running *all* of the analyses enabled in the Simulation Settings dialog box with all parameters set to their nominal values.

However, with Monte Carlo enabled, PSpice saves the DC sweep analysis results for later reference and comparison. After the nominal analyses are finished, PSpice A/D performs the additional specified analysis runs (in this example, DC sweep).

Subsequent runs use the same analysis specification as the nominal run with one major exception: instead of using the nominal parameter values, the tolerances are applied to set new parameter values and thus, new part values.

There is a trade-off in choosing the number of Monte Carlo runs. More runs provide better statistics, but they require more time. The amount of time scales directly with the number of runs: 20 transient analyses take 20 times as long as one transient analysis. During Monte Carlo runs, the PSpice status display includes the current run number and the total number of runs left.

Note: PSpice offers a facility to generate histograms of data derived from Monte Carlo waveform families through the performance analysis feature. For information about performance analysis, see [RLC filter example](#) on page 520. For information about histograms, see [Creating histograms](#) on page 596.

History support

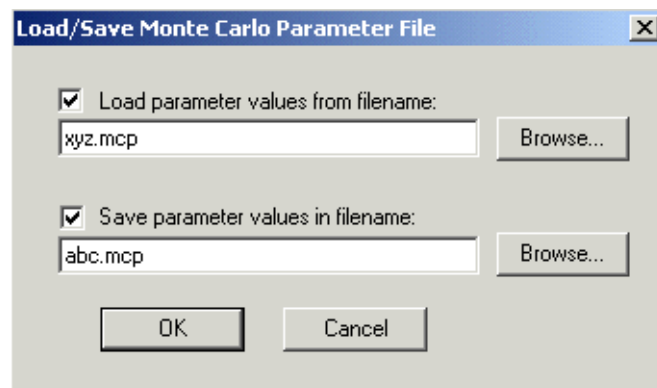
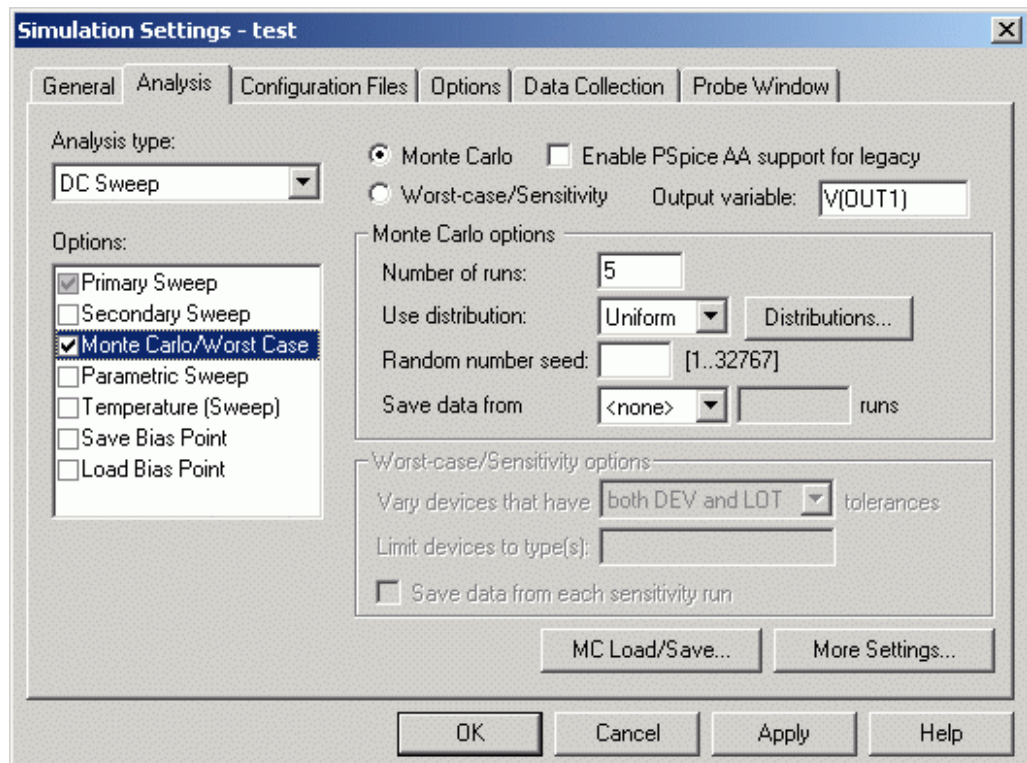
The Monte Carlo analysis calculates the circuit response to changes in part values by randomly varying all of the model parameters for which a tolerance is specified. However, at times users might want to keep some or all of the parameters similar for multiple analysis so that they can compare the results of multiple simulations.

Consider an example of IC designs, which usually require numerous runs. In such cases, rather than doing large number of runs (with too many model parameters), users would prefer doing less number of runs (with less number of parameters), manually change some components/parameters values or add a small amount of circuitry, and then continue the analysis. Here user expects that simulator should use similar values for all model parameters, so that a comparison can be done between multiple simulations.

PSpice User Guide

Monte Carlo and sensitivity (worst-case) analyses

PSpice allows you to save randomly generated values for a run in a .mcp file. You can then load this file to reuse the values for subsequent runs.



Reading the summary report

The summary report generated in this example (see [Figure 13-3](#) on page 583) specifies that the waveform generated from V(OUT1) should be the subject of the collating function YMAX. In each of the last four runs, the new V(OUT1) waveform is compared to the

PSpice User Guide
Monte Carlo and sensitivity (worst-case) analyses

nominal V(OUT1) waveform for the first run, calculating the maximum deviation in the Y direction (YMAX collating function). The deviations are printed in order of size along with their run number.

```
****      SORTED DEVIATIONS OF V(OUT1,OUT2) TEMPERATURE =  35.000 DEG C
          MONTE CARLO SUMMARY
```

```
*****
```

```
Mean Deviation =  -.2477
Sigma           =  .3035
```

RUN		MAX DEVIATION FROM NOMINAL		
Pass	3	.5729 (1.89 sigma) lower	at V_U1 =	-.02
		(94.885% of Nominal)		
Pass	4	.3549 (1.17 sigma) lower	at V_U1 =	-.02
		(96.832% of Nominal)		
Pass	2	.3122 (1.03 sigma) lower	at V_U1 =	-.02
		(97.212% of Nominal)		
Pass	5	.2493 (.82 sigma) higher	at V_U1 =	-.02
		(102.23% of Nominal)		

Figure 13-3 Summary of Monte Carlo runs for EXAMPLE.OPJ.

PSpice User Guide

Monte Carlo and sensitivity (worst-case) analyses

With the List option enabled, a report is also generated showing the parameter value used for each device in each run. In this case (see [Figure 13-4](#) on page 584), run three shows the highest deviation.

```
* C:\ORCAD\EX\EXAMPLE.SCH
```

```
****      UPDATED MODEL PARAMETERS      TEMPERATURE = 35.000 DEG C
              MONTE CARLO PASS      3
```

```
*****
```

```
**** CURRENT MODEL PARAMETERS FOR DEVICES REFERENCING cres
              R      R_RC1      R_RC2
              1.0304E+00      9.5053E-01
```

Figure 13-4 Parameter values for Monte Carlo pass three.

Example: Monte Carlo analysis of a pressure sensor

This example shows how the performance of a pressure sensor circuit with a pressure-dependent resistor bridge is affected by manufacturing tolerances, using Monte Carlo analysis to explore these effects.

Drawing the schematic

To begin, construct the bridge as shown in [Figure 13-5](#) on page 585.

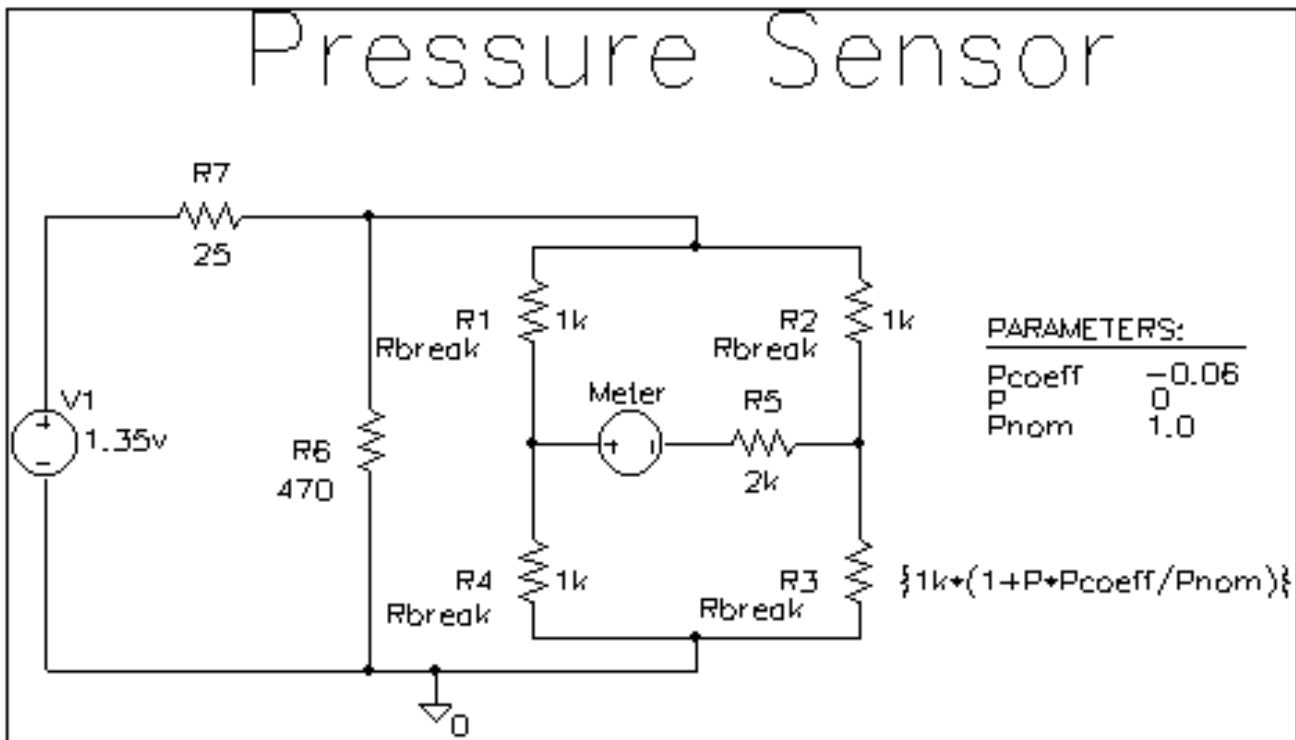


Figure 13-5 Pressure sensor circuit.

Here are a few things to know when placing and connecting the part:

- To get the part you want to place, from the Place menu, choose Part.
- To rotate a part before placing it, press *R*.
- For V1 and Meter, place a generic voltage source using the VSRC part. When you place the source for the meter, change its

name by double-clicking the part and typing `Meter` in the Reference cell in the Parts Spreadsheet.

- For R1-R7, place a resistor using the R part.
- Place the analog ground using the 0 ground symbol from the SOURCE.OLB part library.
- To connect the parts, from the Place menu, choose Wire.
- To move values or reference designators, click the value or reference designator to select it, then drag it to the new location.

Defining part values

Define the part values as shown in [Figure 13-5](#) on page 585. For the pressure sensor, you need to do the following:

- Change the resistor values for R3, R5, R6, and R7 from their default value of 1 k.
- Set the DC value for the V1 voltage source.

Note: Because the Meter source is used to measure current, it has no DC value and can be left unchanged.

To change resistor values

1. Double-click the value for a resistor.

PSpice User Guide

Monte Carlo and sensitivity (worst-case) analyses

2. Type the new value. Depending on the resistor you are changing, set its value to one of the following (refer to [Figure 13-5](#) on page 585).

If you are changing this resistor...	Type this...
R3	$\{1k * (1 + P * Pcoeff / Pnom) \}$ Note: The value for R3— $\{1k * (1 + P * Pcoeff / Pnom)\}$ —is an expression that represents linear dependence of resistance on pressure. To complete the definition for R3, you will create and define global parameters for Pcoeff, P, and Pnom later on in this example.
R5	2k
R6	470
R7	25

3. Repeat steps 1-2 for each resistor on your schematic page.

To set the DC value for the V1 source and make it visible

1. Double-click the V1 source part.
2. In the Parts Spreadsheet, click in the cell under the DC column.
3. Type 1.35v.
4. Click the Display button.
5. In the Display Format frame, choose the Value Only option to make the DC value (1.35v) visible on the schematic.
6. Click OK, then click Apply to apply the changes you have made to the part.
7. Close the Parts Spreadsheet.

Setting up the parameters

To complete the value specification for R3, define the global parameters Pcoeff, P, and Pnom.

To define and initialize Pcoeff, P, and Pnom

1. Place a PARAM part on the schematic page.
2. Double-click the PARAM part to display the Parts Spreadsheet.
3. For each parameter, create a new property by clicking New and typing its name. Enter its corresponding value by clicking in the cell under the new property name and typing its value. Specify the parameter name and corresponding value as follows.

Table 13-3

Property	Value
Pcoeff	-0.06
P	0
Pnom	1.0

4. Click Apply to save the changes you have made then close the Parts Spreadsheet.

Using resistors with models

To explore the effects of manufacturing tolerances on the behavior of this circuit, you set device (DEV) and (LOT) tolerances on the model parameters for resistors R1, R2, R3, and R4 in a later step (see [Defining tolerances for the resistor models](#) on page 589). This means you need to use resistor parts that have model associations.

Because R parts do not have associated models (and therefore no model parameters), change the resistor parts to Rbreak parts that do have models.

Note: When PSpice runs a Monte Carlo analysis, it uses tolerance values to determine how to vary model parameters during the simulation.

To replace R1, R2, R3, and R4 with the RBREAK part

1. Click R1 to select it.
2. Hold down the *Ctrl* key and click R2, R3 and R4 to add them to the selection set.
3. Press *Delete* to delete the selection set.
4. From the Place menu, choose Part.
5. Type `RBREAK` in the Part text box. (If `RBREAK` is not available, click the Add Library button and select `BREAKOUT.OLB` to configure it for use in Capture.)
6. Click OK.
7. Manually place the `RBREAK` part in the circuit diagram where R1, R2, R3 and R4 were located.
8. Double-click on each `RBREAK` part and change the reference designators as desired.

Saving the design

Before editing the models for the Rbreak resistors, save the schematic.

To save the design

1. From Capture's File menu, choose Save.

Defining tolerances for the resistor models

This section shows how to assign device (DEV) and lot (LOT) tolerances to the model parameters for resistors R1, R2, R3, and R4 using the model editor.

You can use the model editor to change the `.MODEL` or `.SUBCKT` syntax for a model definition. To find out more about the model editor, see [Editing model text](#) on page 236, or refer to the online *PSpice Reference Guide*.

To assign 2% device and 10% lot tolerances to the resistance multiplier for R1

1. Select R1.
2. From the Edit menu, choose PSpice Model.

Capture searches the libraries for the Rbreak model definition and makes a copy to create an instance model.
3. To change the instance model name from Rbreak to Rmonte1, do the following:
 - a. In the Model Text frame, double-click Rbreak.
 - b. Type RMonte1.
4. To add a 2% device tolerance and a 10% lot tolerance to the resistance multiplier, do the following:
 - a. Add the following to the .MODEL statement (after R=1):

```
DEV=2% LOT=10%
```

The model editing window should look something like [Figure 13-5](#) on page 591.

1. From the File menu, choose Save.

By default, Capture saves the RMonte1 .MODEL definition to the DESIGN_NAME.LIB library, which is PSENSOR.LIB. Capture also automatically configures the library for local use. To find out more about adding model libraries to the configuration, see [Configuring model libraries](#) on page 245.

To have resistors R2 and R4 use the same tolerances as R1

1. In Capture's schematic page editor, select R2 and R4.
2. From the Edit menu, select Properties.
3. In the R2 row, click in the cell under the Implementation column and type RMonte1.
4. In the R4 row, click in the cell under the Implementation column and type RMonte1.

To assign 5% device tolerance to the resistance multiplier for R3

PSpice User Guide

Monte Carlo and sensitivity (worst-case) analyses

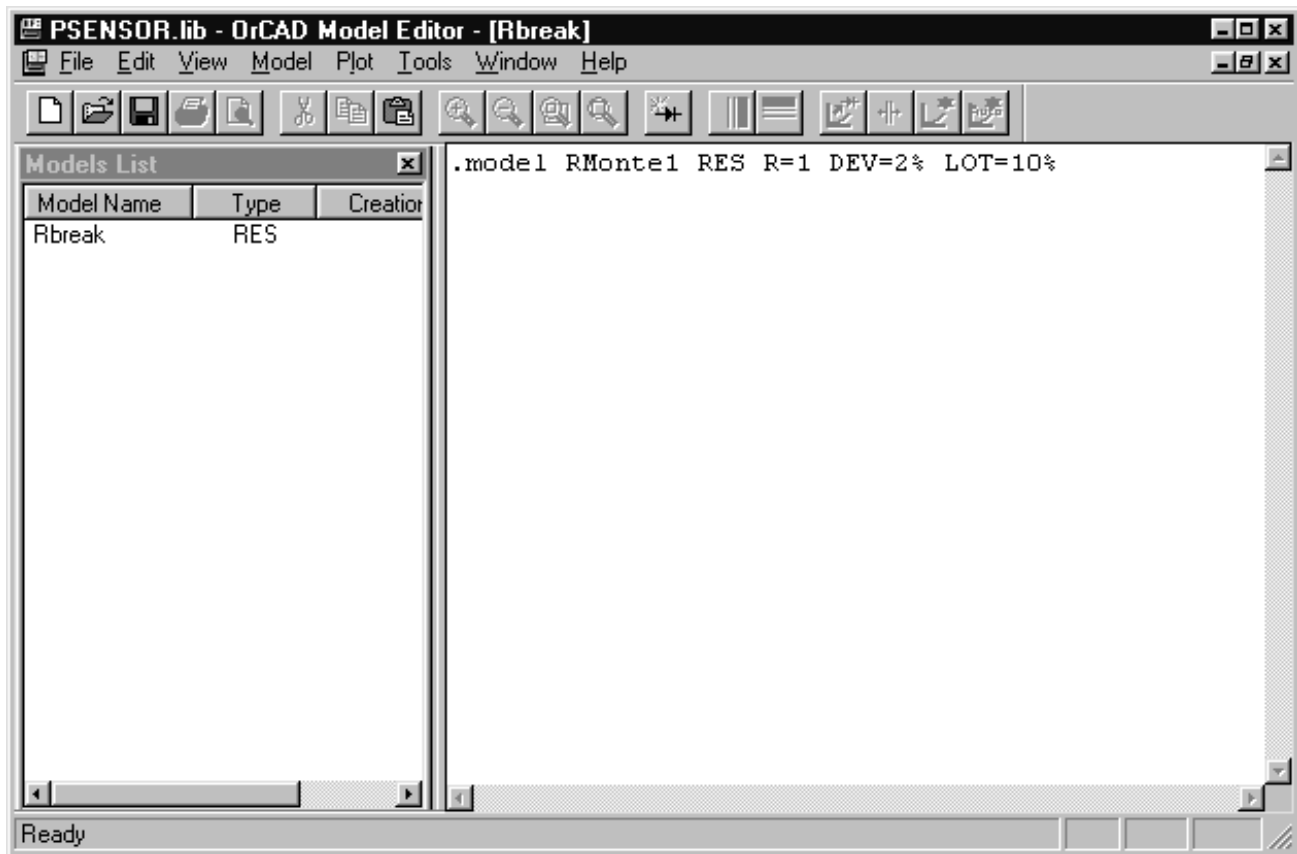


Figure 13-6 Model definition for RMonte1.

1. Select R3.
2. From the Edit menu, select PSpice Model.
3. In the Model Text frame, change the .MODEL statement to:

```
.model RTherm RES R=1 DEV=5%
```

4. From the File menu, choose Save.

Your schematic page should look like [Figure 13-6](#) on page 592.

Setting up the analyses

This section shows how to define and enable a DC analysis that sweeps the pressure value and a Monte Carlo analysis that runs the DC sweep with each change to the resistance multipliers.

To set up the DC sweep

1. In the PSpice menu, choose New Simulation Profile or Edit Simulation Profile. (If this is a new simulation, enter the name of the profile and click OK.)

The Simulation Settings dialog box appears.

See [Setting up analyses](#) on page 423 for a description of the Simulation Settings dialog box.

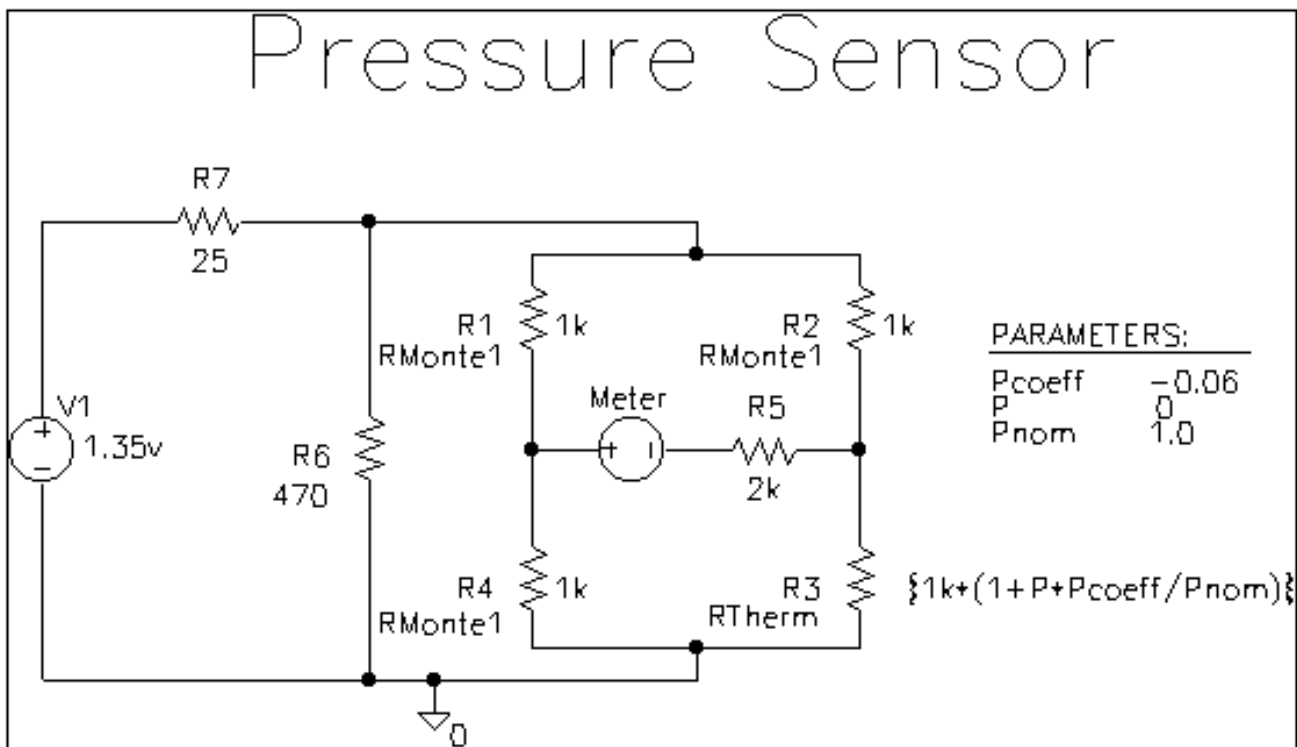


Figure 13-7 Pressure sensor circuit with RMonte1 and RTherm model definitions.

1. Select DC Sweep in the Analysis type list box.
2. In the Sweep Variable frame, select Global Parameter.

3. Enter the following values:

Table 13-4

In this text box...	Type this...
Parameter name	P
Start value	0
End value	5.0
Increment	0.1

To set up the Monte Carlo analysis

1. Select the Monte Carlo/Worst Case option.
2. Check Monte Carlo if it is not already selected.
3. In the Number of runs text box, type 10.
4. In the Save data from list box, select All.
5. Type $I(Meter)$ in the Output variable text box.
6. Click OK to save the simulation profile.

Running the analysis and viewing the results

To complete setup, simulate, and view results

1. From Capture's PSpice menu, choose Run to start the simulation

When the simulation is complete, PSpice automatically displays the selected waveform. Because PSpice ran a Monte Carlo analysis, it saved multiple runs or sections of data. These are listed in the Available Sections dialog box.

2. From PSpice's Trace menu, choose Performance Analysis.
3. Click the Select sections button.

4. In the Available Sections dialog box, click the All button.
5. Click OK.
6. To display current through the Meter voltage source, do the following:
 - a. From Capture's PSpice menu, point to markers and choose Current into Pin.
 - b. Place a current probe on the left-hand pin of the Meter source.
7. Switch to the Probe window to see the family of curves for I(Meter) as a function of P.

Another way to view the family of curves without using schematic markers is as follows:

- a. From PSpice's Trace menu, choose Add Trace.
- b. In the Simulation Output Variables list, double-click I(Meter).

Note: For more on analyzing Monte Carlo results in PSpice, see the next section on Monte Carlo histograms.

Monte Carlo Histograms

You can display data derived from Monte Carlo waveform families as histograms. This is part of the performance analysis feature.

In this example, you simulate a fourth-order Chebyshev active filter, running a series of 100 AC analyses while randomly varying resistor and capacitor values for each run. Then, having defined performance analysis measurements for bandwidth and center frequency, you observe the statistical distribution of these quantities for the 100 runs. For more information about performance analysis, see [RLC filter example](#) on page 520.

Chebyshev filter example

The Chebyshev filter is designed to have a 10 kHz center frequency and a 1.5 kHz bandwidth. The schematic page for the filter is shown in [Figure 13-7](#) on page 595. The stimulus specifications for V1, V2, and V3 are:

PSpice User Guide

Monte Carlo and sensitivity (worst-case) analyses

V1: DC=-15
V2: DC=+15
V3: AC=1

The parts are rounded to the nearest available 1% resistor and 5% capacitor value. In this example, note how the bandwidth and the center frequency vary when 1% resistors and 5% capacitors are used in the circuit.

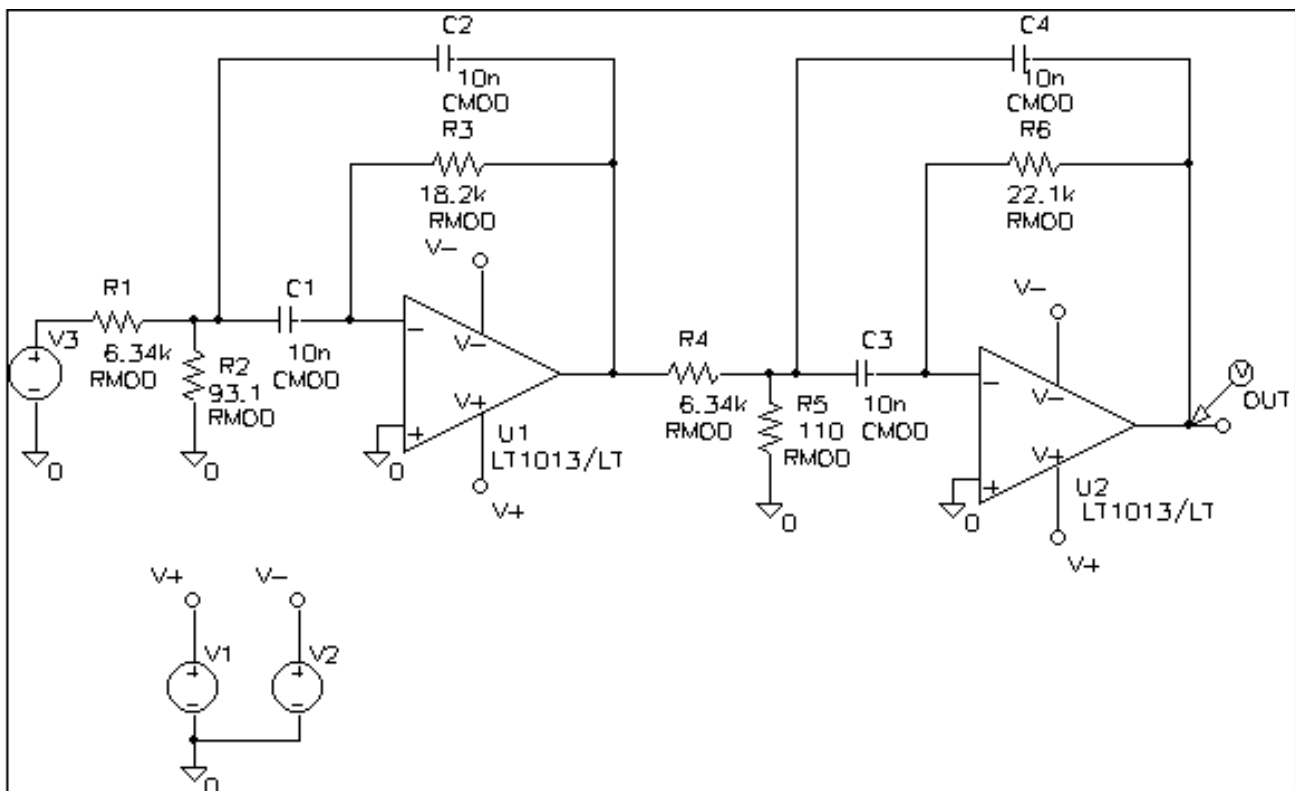


Figure 13-8 Chebyshev filter.

Creating models for Monte Carlo analysis

To vary the resistors and capacitors in the filter circuit, create models for these parts on which you can set device tolerances for Monte Carlo analysis. The `BREAKOUT.OLB` library contains generic devices for this purpose. The resistors and capacitors in this schematic are the `Rbreak` and `Cbreak` parts from `BREAKOUT.OLB`.

Using the Model Editor, modify the models for these parts as follows:

PSpice User Guide

Monte Carlo and sensitivity (worst-case) analyses

```
.model RMOD RES (R=1 DEV=1%)  
.model CMOD CAP (C=1 DEV=5%)
```

Setting up the analysis

To analyze the filter, set up both an AC analysis and a Monte Carlo analysis. The AC analysis sweeps 50 points per decade from 100 Hz to 1 MHz. The Monte Carlo analysis is set to take 100 runs. Save data from all runs and set the output variable to V(OUT).

Creating histograms

Because the data file can become quite large when running a Monte Carlo analysis, to view just the output of the filter, you place a voltage probe at the output of the filter.

To collect data for the marked node only

1. From the PSpice menu, choose New Simulation Profile or Edit Simulation Profile. (If this is a new simulation, enter the name of the profile and click OK.)

The Simulation Settings dialog box appears.

2. On the Data Collection tab, choose the At Markers Only option for each type of marker (Voltages, Currents, Power, Digital, Noise).
3. Click OK.

To run the simulation and load Probe with data

1. From Capture's PSpice menu, choose Run to start the simulation.

When the simulation is complete, PSpice automatically displays the selected waveform. Because PSpice ran a Monte Carlo analysis, it saved multiple runs or sections of data. These are listed in the Available Sections dialog box.

2. In the Available Sections dialog box, click All.
3. Click OK.

To display a histogram for the 1 dB bandwidth

1. From PSpice's Plot menu, choose Axis Settings.
2. Select the X Axis tab.
3. In the Processing Options frame, select the Performance Analysis check box.

For information about performance analysis, see [RLC filter example](#) on page 520.

4. Click OK.

The histogram display appears. The Y axis is the percent of samples.

5. From the Trace menu, choose Add Trace.
6. Choose Bandwidth.
7. In the Trace Expression box, specify `Bandwidth(VDB(OUT),1)`.

Note: You can also display this histogram by using the performance analysis wizard to display Bandwidth (VDB(OUT),1).

To change the number of histogram divisions

1. From the Tools menu, choose Options.
2. In the Number of Histogram Divisions text box, replace 10 with 20.
3. Click OK.

PSpice User Guide
 Monte Carlo and sensitivity (worst-case) analyses

The histogram for 1 dB bandwidth is shown in [Figure 13-8](#) on page 598.

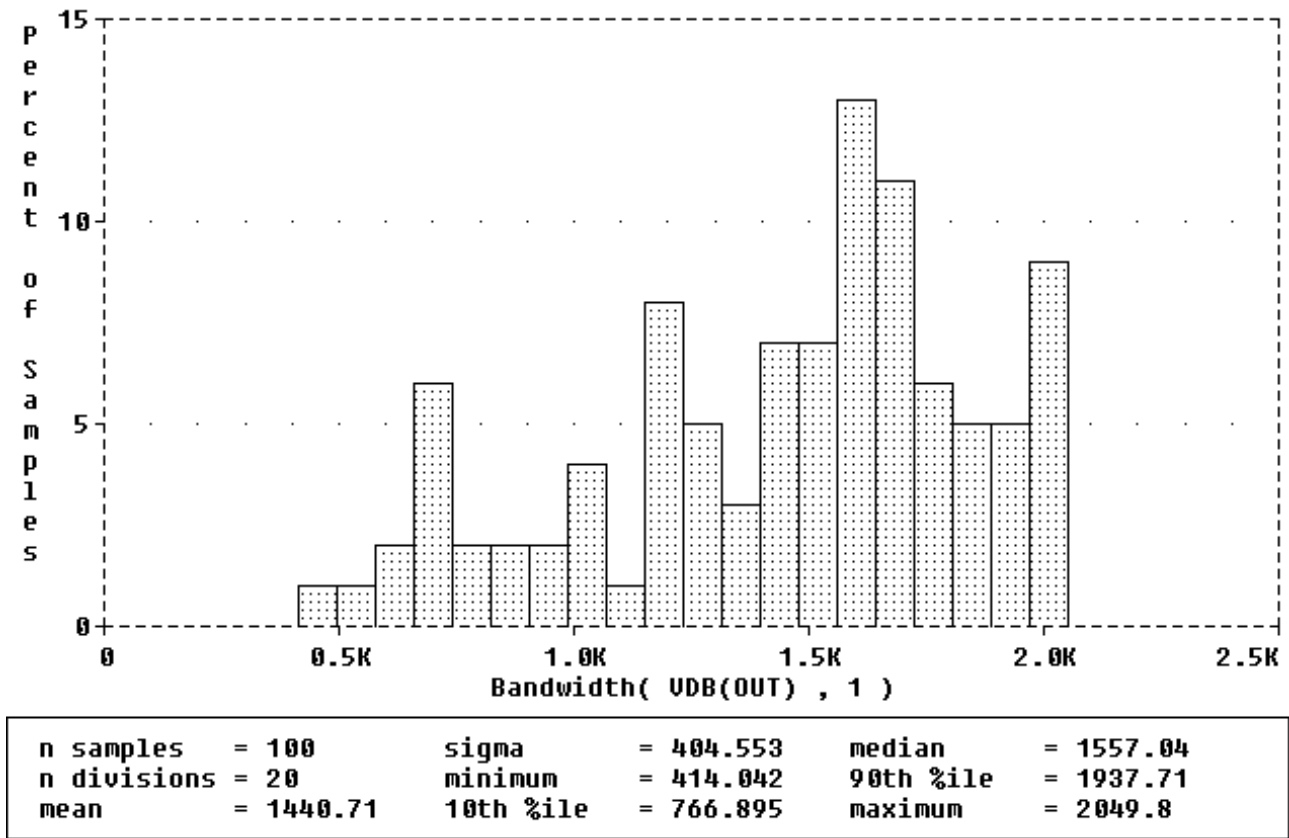


Figure 13-9 1 dB bandwidth histogram.

The statistics for the histogram are shown along the bottom of the display. The statistics show the number of Monte Carlo runs, the number of divisions or vertical bars that make up the histogram, mean, sigma, minimum, maximum, 10th percentile, median, and 90th percentile.

- Ten percent of the measurement values is less than or equal to the 10th percentile number, and 90% of the measured values is greater than or equal to that number.
- If there is more than one measurement expression value that satisfies this criteria, then the 10th percentile is the midpoint of the interval between the measured values that satisfy the criteria. Similarly, the median and 90th percentile numbers represent measured values such that 50% and 90%

(respectively) of the measured values are less than or equal to those numbers.

- Sigma is the standard deviation of the measurement expression values.

If needed, you can turn off the statistical data display as follows:

1. From the Tools menu, choose Options.
2. Clear the Display Statistics check box.
3. Click Save, and then OK.

You can also show the distribution of the center frequency of the filter.

To display the center frequency

1. From the Trace menu, choose Add Trace.
2. Choose CenterFreq.
3. In the Trace Expression box, specify CenterFreq(VDB(OUT),1).

The new histogram replaces the previous histogram. To display both histograms at once, choose Add Plot to Window on the Plot menu

before choosing Add from the Trace menu. The histogram of the center frequency is as shown in [Figure 13-9](#) on page 600.

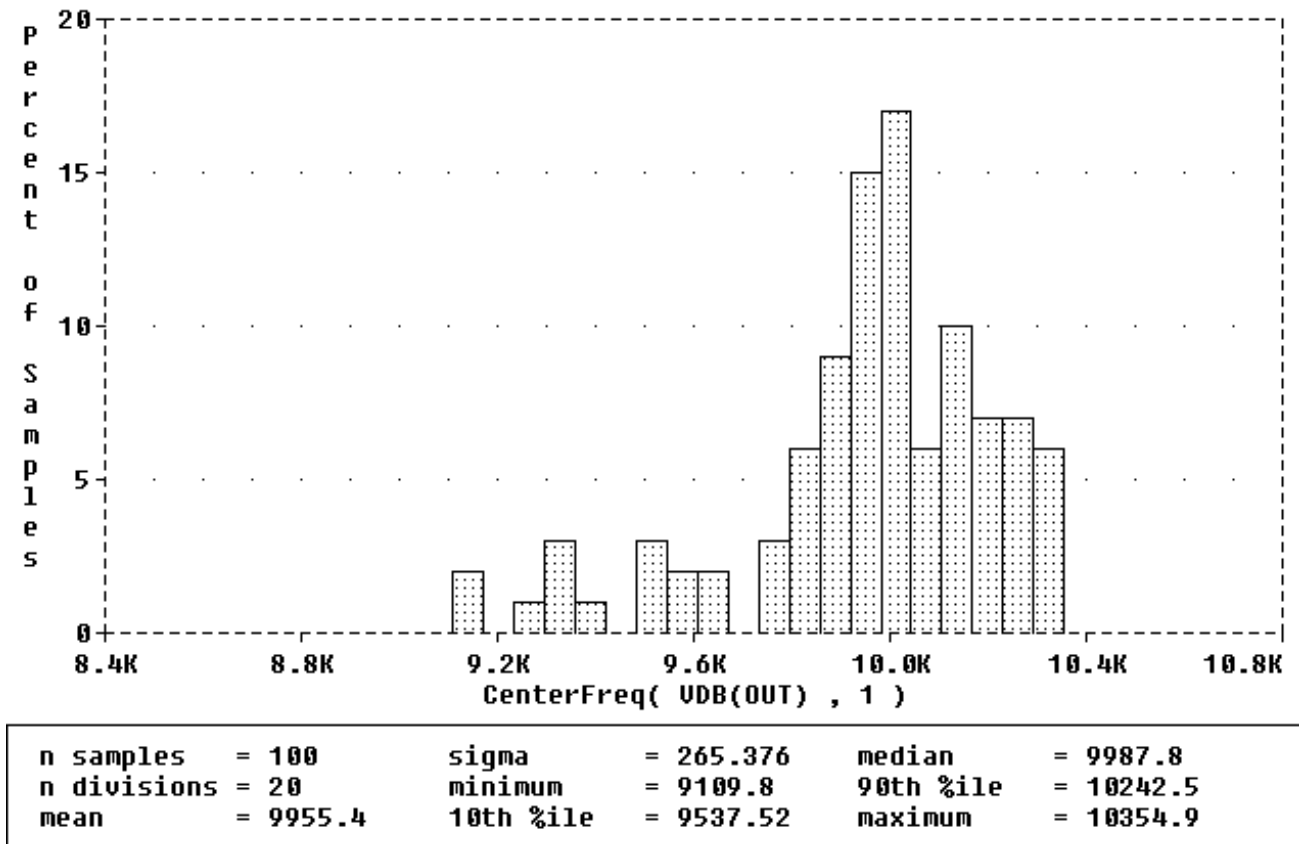


Figure 13-10 Center frequency histogram.

Copying histogram data

You can use the copy function to transfer the raw histogram data points for a particular trace to the Windows clipboard. This allows you to save the data as a standard ASCII text file, or paste it directly into a report or other document for later reference.

To copy histogram data to the clipboard

1. Select the trace symbol, or the trace name, in the histogram.
2. From the Edit menu, choose Copy (or press *Ctrl+C*).

PSpice User Guide

Monte Carlo and sensitivity (worst-case) analyses

The histogram data points for the trace will be transferred to the Windows clipboard.

To copy the histogram display to the clipboard

1. From the Window menu, choose Copy to Clipboard.

The histogram graph will be transferred to the Windows clipboard.

Worst-case analysis

This section discusses the analog worst-case analysis feature of PSpice. The information provided in this section explains how to use worst-case analysis properly and with realistic expectations.

Overview of worst-case analysis

Worst-case analysis is used to find the worst probable output of a circuit or system given the restricted variance of its parameters. For instance, if the values of R1, R2, and R3 can vary by $\pm 10\%$, then the worst-case analysis attempts to find the combination of possible resistor values which result in the worst simulated output. As with any other analysis, there are three important parts: inputs, procedure, and outputs.

Inputs

In addition to the circuit description, you need to provide two pieces of information:

- the parameter tolerances
- a definition of what *worst* means

You can set tolerances on any number of the parameters that characterize a model.

Note: You can define models for nearly all primitive analog circuit parts, such as resistors, capacitors, inductors, and semiconductor devices. PSpice reads the standard model parameter tolerance syntax specified in the .MODEL statement. For each model parameter, PSpice uses the nominal, minimum, and maximum probable values, and the DEV and/or LOT specifiers; the probability distribution type (such as UNIFORM or GAUSS) is ignored.

The criterion for determining the *worst* values for the relevant model parameters is defined in the .WC statement as a function of any standard output variable in a specified range of the sweep.

PSpice User Guide

Monte Carlo and sensitivity (worst-case) analyses

In a given range, reduce the measurement to a single value by one of these five collating functions:

MAX	Maximum output variable value
MIN	Minimum output variable value
YMAX	Output variable value at the point where it differs the most with the nominal run
RISE_EDGE (value)	Sweep value where the output variable value crosses <i>above</i> a given threshold value
FALL_EDGE (value)	Sweep value where the output variable value crosses <i>below</i> a given threshold value

You can define *worst* as the highest (HI) or lowest (LO) possible collating function relative to the nominal run.

You can use analog behavioral models to measure waveform characteristics other than those detected by the available collating functions, such as rise time or slope. You can also use analog behavioral models to incorporate several voltages and currents into one output variable to which a collating function may be applied. See [Chapter 6, “Analog behavioral modeling.”](#) for more information.

Procedure

To establish the initial value of the collating function, worst-case analysis begins with a nominal run using all model parameters at their nominal values.

Next, multiple sensitivity analyses determine the individual effect of each model parameter on the collating function. This is accomplished by varying model parameters, one at a time, in consecutive simulations. The direction (*better* or *worse*) in which the collating function changes with a small increase in each model parameter is recorded.

Finally, for the worst-case run, each parameter value is taken as far from its nominal as allowed by its tolerance, in the direction which

should cause the collating function to be its worst (given by the HI or LO specification).

Note: This procedure saves time by performing the minimum number of simulations required to make an educated guess at the parameter values that produce the worst results. It also has some limitations, which are described in the following sections.

Outputs

A summary of the sensitivity analysis is printed in the PSpice output file (.OUT). This summary shows the percent change in the collating function corresponding to a small change in each model parameter. If a .PROBE statement is included in the circuit file, then the results of the nominal and worst-case runs are saved for viewing in the Probe window.

Caution: An important condition for correct worst-case analysis

Worst-case analysis is not an optimization process; it does not *search* for the set of parameter values that result in the worst result.

It assumes that the worst case occurs when each parameter has been either pushed to one of its limits or left at its nominal value as indicated by the sensitivity analysis. It shows the true worst-case results when the collating function is ***monotonic*** within all tolerance combinations.

Otherwise, there is no guarantee. Usually you cannot be certain whether this condition is true, but insight into the operation of the circuit may alert you to possible anomalies.

Worst-case analysis example

The schematic shown in Figure 13-11 is for an amplifier circuit that is a biased BJT. This circuit is used to demonstrate how a simple worst-case analysis works. It also shows how *non-monotonic* dependence of the output on a single parameter can adversely affect the worst-case analysis.

Because an AC (small-signal) analysis is being performed, setting the input to unity means that the output, $V_m([OUT])$, is the magnitude of the gain of the amplifier. The only variable declared in this circuit is the resistance of $Rb2$. Because the value of $Rb2$ determines the bias on the BJT, it also affects the amplifier's gain.

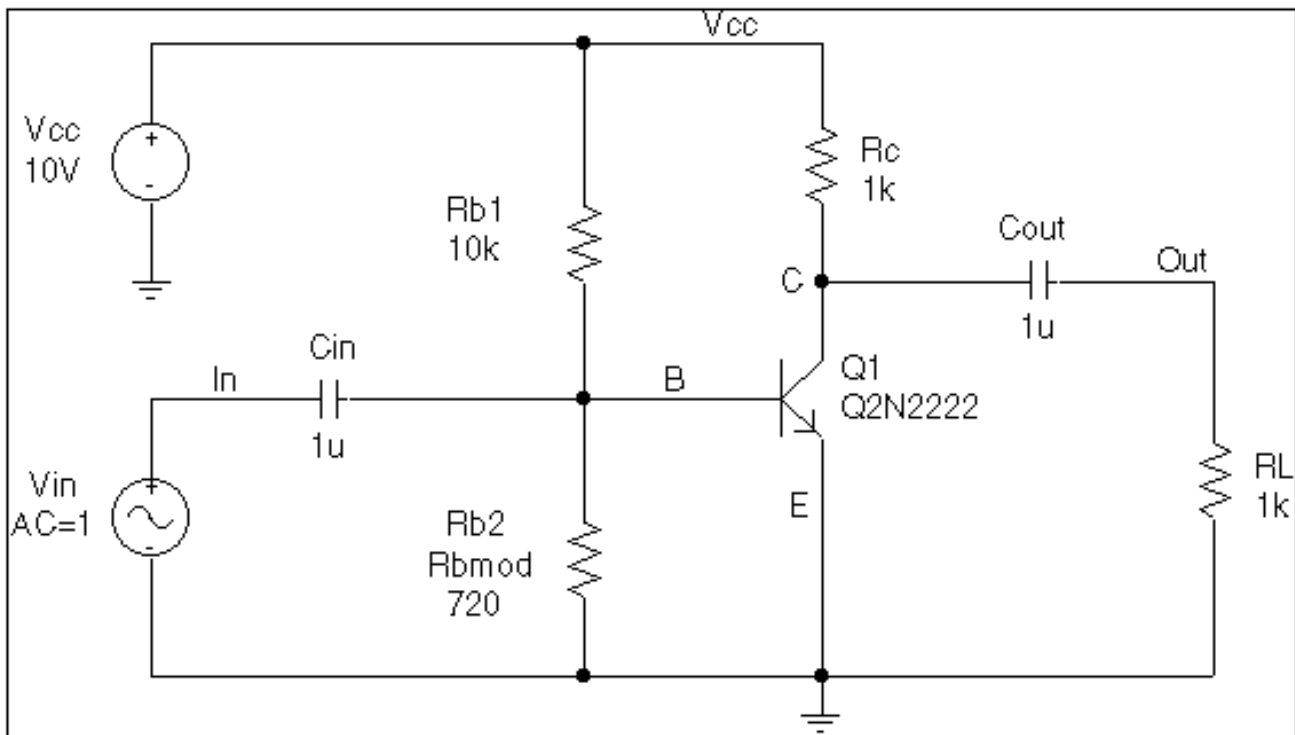


Figure 13-11 Simple biased BJT amplifier.

Figure 13-11 is the circuit file used to run one of the following:

- a parametric analysis (.STEP, shown enabled in the circuit file) that sets the value of resistor $Rb2$ by stepping model parameter R through values spanning the specified DEV tolerance range, or

- a worst-case analysis (shown disabled in the circuit file) that allows PSpice to determine the worst-case value for parameter R based upon a sensitivity analysis.

Only one of these analyses can run in any given simulation.

Note: The AC and worst-case analysis specifications (.AC and .WC statements) are written so that the worst-case analysis tries to minimize Vm([OUT]) at 100 kHz.

The netlist and circuit file in Figure [13-11](#) are set up to run either a parametric (.STEP) or worst-case (.WC) analysis of the specified AC analysis. These simulations demonstrate the conditions under which worst-case analysis works well and those that can produce misleading results when output is not monotonic with a variable parameter (see Figure [13-15](#) and Figure [13-16](#)).

For demonstration, the parametric analysis is run first, generating the curve shown in Figure [13-15](#) and Figure [13-16](#). This curve, derived using the YatX measurement shown in Figure [13-12](#) illustrates the non-monotonic dependence of gain on *Rb2*.

```
YatX(1, X_value)=y1{1|sfxv(X_value)!1;}
```

Figure 13-13 YatX Measurement Expression

To do this yourself, place the measurement definition in a PROBE.GF file in the circuit directory. Then start PSpice, load all of the AC sweeps, set up the X axis for performance analysis, and add the following trace:

```
YatX(Vm([OUT]),100k)
```

Note: The YatX measurement is used on the simulation results for the parametric sweep (.STEP) defined in Figure [13-11](#). The resulting curves are shown in Figure [13-15](#) and Figure [13-16](#).

Next, the parametric analysis is commented out and the worst-case analysis is enabled. Two runs are made using the two versions of the *Rbmod*.MODEL statement shown in the circuit file. The model parameter, R, is a multiplier which is used to scale the nominal value of any resistor referencing the *Rbmod* model (*Rb2* in this case).

PSpice User Guide

Monte Carlo and sensitivity (worst-case) analyses

```
* Worst-case analysis comparing monotonic and non-monotonic
* output with a variable parameter

.lib

***** Input signal and blocking capacitor *****
Vin  In      0      ac      1
Cin  In      B      1u

***** "Amplifier" *****
* gain increases with small increase in Rb2, but
* device saturates if Rb2 is maximized.
Vcc  Vcc     0      10
Rc   Vcc     C      1k
Q1   C       B      0      Q2N2222
Rb1  Vcc     B      10k
Rb2  B       0      Rbmod  720
.model Rbmod res(R=1 dev 5%) ; WC analysis results
; are correct

* .model Rbmod res(R=1.1 dev 5%) ; WC analysis misled
; by sensitivity

***** Load and blocking capacitor *****
Cout C       Out    1u
Rl   Out     0      1k

* Run with either the .STEP or the .WC, but not both.
* This circuit file is currently set up to run the .STEP
* (.WC is commented out)

**** Parametric Sweep—providing plot of Vm([OUT]) vs. Rb2 ****
.STEP Res Rbmod(R) 0.8 1.2 10m

***** Worst-case analysis *****
* run once for each of the .model definitions stated above)
* WC AC Vm([Out]) min range 99k 101k list output all

.AC Lin 3 90k 110k
.probe
.end
```

Figure 13-14 Amplifier netlist and circuit file.

The first .MODEL statement leaves the nominal value of *Rb2* at 720 ohms. The sensitivity analysis increments R by a small amount and checks its effect on Vm([OUT]). This slight increase in R causes an increase in the base bias voltage of the BJT, and increases the amplifier's gain, Vm([OUT]). The worst-case analysis correctly sets R to its minimum value for the lowest possible Vm([OUT]) (see Figure 13-15).

The second .MODEL statement scales the nominal value of *Rb2* by 1.1 to approximately 800 ohms. The gain still increases with a small increase in R, but a larger increase in R increases the base voltage so much that it drives the BJT into saturation and nearly eliminates

PSpice User Guide

Monte Carlo and sensitivity (worst-case) analyses

the gain. The worst-case analysis is fooled by the sensitivity analysis into assuming that $Rb2$ must be minimized to degrade the gain, but maximizing $Rb2$ is much worse (see Figure 13-16). Note that even an optimizer, which checks the local gradients to determine how the parameters should be varied, is fooled by this circuit.

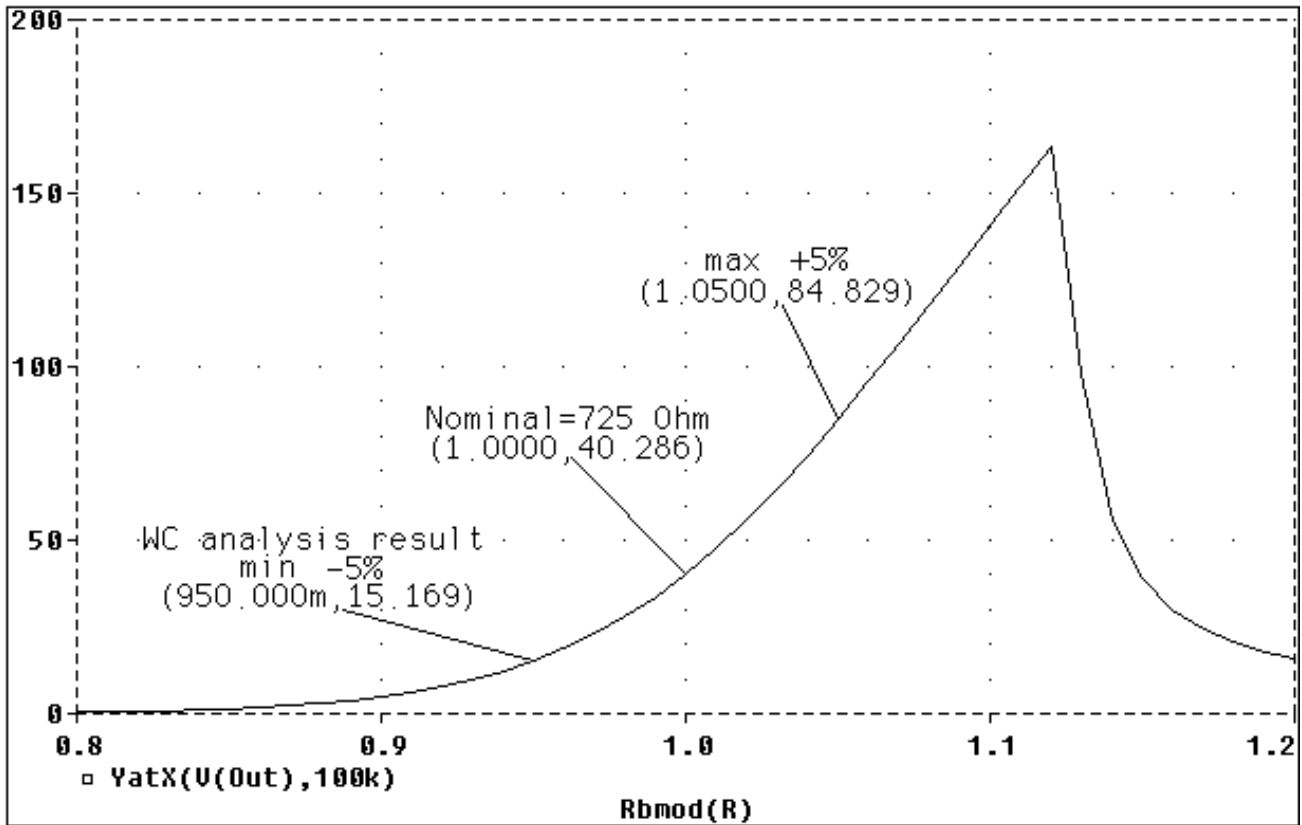


Figure 13-15 Correct worst-case results.

PSpice User Guide

Monte Carlo and sensitivity (worst-case) analyses

In the above figure, output is monotonic within the tolerance range. Sensitivity analysis correctly points to the minimum value.

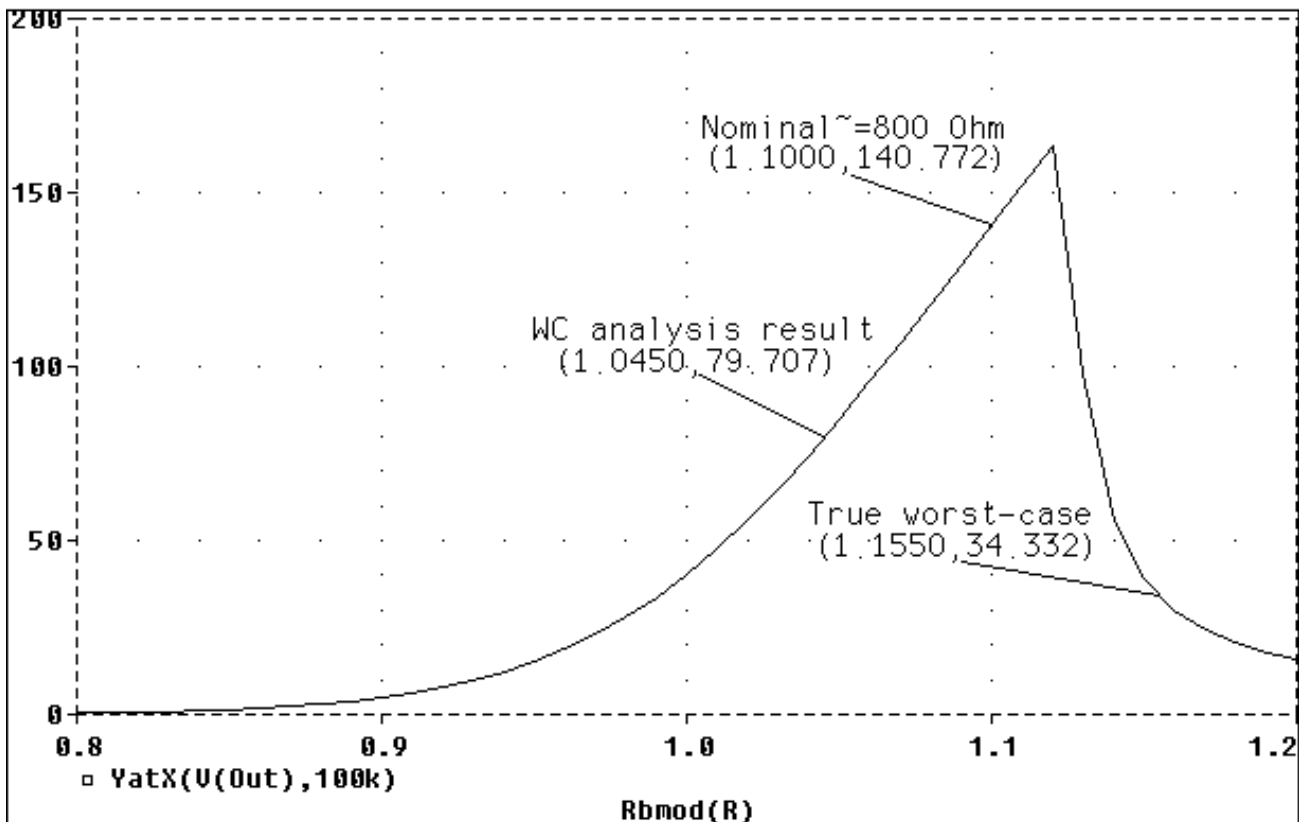


Figure 13-16 Incorrect worst-case results.

In the above figure, output is non-monotonic within the tolerance range, thus producing incorrect worst-case results.

Consider a slightly different scenario: R_{b2} is set to 720 ohms so that maximizing it is not enough to saturate the BJT, but R_{b1} is variable also. The true worst case occurs when R_{b2} is maximized and R_{b1} is minimized. Checking their individual effects is not sufficient, even if the circuit were simulated four times with each resistor in turn set to its extreme values.

Tips and other useful information

VARY BOTH, VARY DEV, and VARY LOT

When VARY BOTH is specified in the .WC statement and a model parameter is specified with both DEV and LOT tolerances defined, the worst-case analysis may produce unexpected results. The sensitivity of the collating function is only tested with respect to LOT variations of such a parameter.

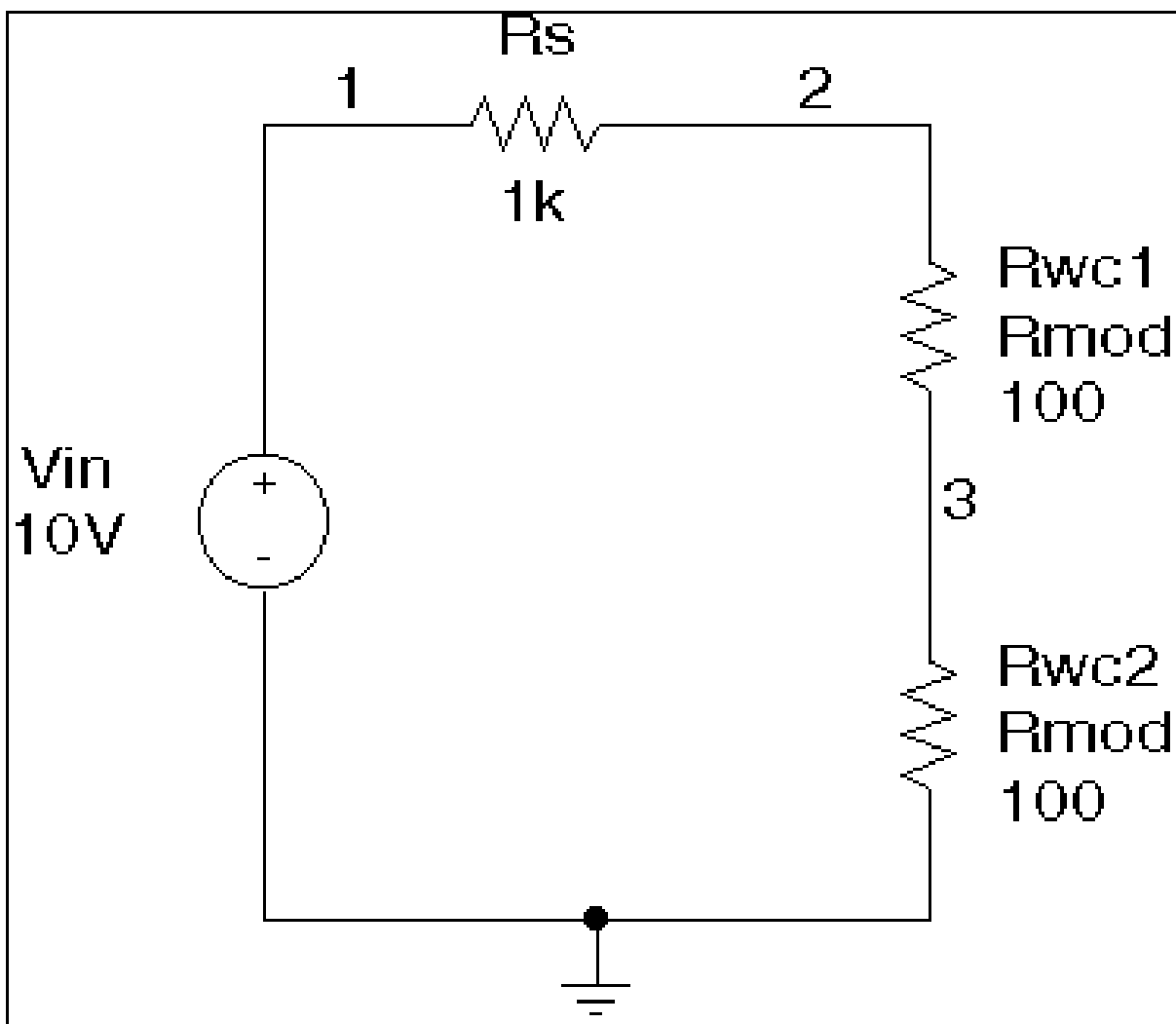


Figure 13-17 Schematic using VARY BOTH.

PSpice User Guide

Monte Carlo and sensitivity (worst-case) analyses

For example, during the sensitivity analysis, the parameter is varied once affecting all devices referring to it and its effect on the collating function is recorded. For the worst-case analysis, the parameter is changed for all devices by LOT + DEV in the determined direction. See the example schematic in Figure 13-17 and circuit file in Figure 13-18.

```
WCASE VARY BOTH Test
Vin      1      0      10V
Rs       1      2      1K
Rwc1    2      3      Rmod  100
Rwc2    3      0      Rmod  100
.MODEL Rmod RES(R=1 LOT 10% DEV 5%)
.DC Vin LIST 10
.WC DC V(3) MAX VARY BOTH LIST OUTPUT ALL
.ENDS
```

Figure 13-18 Circuit file using VARY BOTH.

In this case, V(3) is maximized if:

- *Rwc1* and *Rwc2* are both increased by 10% per the LOT tolerance specification, and
- *Rwc1* is decreased by 5% and *Rwc2* is increased by 5% per the DEV tolerance specification.

The final values for *Rwc1* and *Rwc2* should be 105 and 115, respectively. However, because *Rwc1* and *Rwc2* are varied together during the sensitivity analysis, it is assumed that both must be increased to their maximum for a maximum V(3). Therefore, both are increased by 15%.

The purpose of the technique is to reduce the number of simulations. For a more accurate worst-case analysis, you should first perform a worst-case analysis with VARY LOT, manually adjust the nominal model parameter values according to the results, then perform another analysis with VARY DEV specified.

Gaussian distributions

Parameters using Gaussian distributions are changed by 1σ (one sigma) for the worst-case analysis.

Note: The default Gaussian distribution shall have the sigma value of 3.

A new Gaussian distribution *GaussUser* will have a default sigma value of 1. When this is selected, user can see the value of sigma displayed alongside. The sigma value can be changed from 1 to 9.

YMAX collating function

The purpose of the YMAX collating function is often misunderstood. This function does not try to maximize the deviation of the output variable value from nominal. Depending on whether HI or LO is specified, it tries to maximize or minimize the output variable value itself at the point where maximum deviation occurred during sensitivity analysis.

Note: This may result in maximizing or minimizing the output variable value over the entire range of the sweep. This collating function is useful when you know the direction in which the maximum deviation occurs.

RELTOL

During the sensitivity analysis, each parameter is varied (multiplied) by $1 + \text{RELTOL}$ where RELTOL is specified in a .OPTIONS statement, or defaults to 0.001.

Sensitivity analysis

The sensitivity analysis results are printed in the output file (.OUT). For each varied parameter, the percent change in the collating function and the sweep variable value at which the collating function was measured are given. The parameters are listed in *worst output* order; for example, the collating function was its worst when the first parameter printed in the list was varied.

When you use the YMAX collating function, the output file also lists mean deviation and sigma values. These are based on the changes in the output variable from nominal at every sweep point in every sensitivity run.

Manual optimization

You can use worst-case analysis to perform *manual optimization* with PSpice. The monotonicity condition is usually met if the parameters have a very limited range.

Performing worst-case analysis with tight tolerances on the parameters produces sensitivity and worst-case results (in the output file). You can use these to decide how the parameters should be varied to achieve the desired response. You can then make adjustments to the nominal values in the circuit file, and perform the worst-case analysis again for a new set of gradients.

Note: Parametric sweeps (.STEP), like the one performed in the circuit file shown in Figure [13-12](#), can be used to augment this procedure.

Monte Carlo analysis

Monte Carlo (.MC) analysis may be helpful when worst-case analysis cannot be used. Monte Carlo analysis can often be used to verify or improve on worst-case analysis results. Monte Carlo analysis randomly selects possible parameter values, which can be thought of as randomly selecting points in the *parameter space*. The worst-case analysis assumes that the worst results occur somewhere on the surface of this space, where parameters (to which the output is sensitive) are at one of their extreme values.

If this is not true, the Monte Carlo analysis may find a point at which the results are worse. To try this, replace .WC in the circuit file with .MC <#runs>, where <#runs> is the number of simulations you want to perform. More runs provide higher confidence results. The Monte Carlo summary in the output file lists the runs in decreasing order of collating function value.



Tip

To save disk space, do not specify any OUTPUT options.

Next, add the following option to the .MC statement, and simulate again.

```
OUTPUT LIST RUNS <worst_run#>
```

PSpice User Guide

Monte Carlo and sensitivity (worst-case) analyses

This performs only two simulations: the nominal and the worst Monte Carlo run. The parameter values used during the worst run are written to the output file, and the results of both simulations are saved.

Using Monte Carlo analysis with YMAX is a good way to obtain a conservative guess at the maximum possible deviation from nominal, since worst-case analysis usually cannot provide this information.

Digital simulation

Chapter overview

This chapter describes how to set up a digital simulation analysis and includes the following sections:

- [What is digital simulation?](#) on page 616
- [Steps for simulating digital circuits](#) on page 616
- [Concepts you need to understand](#) on page 617
- [Defining a digital stimulus](#) on page 619
- [Defining simulation time](#) on page 633
- [Adjusting simulation parameters](#) on page 634
- [Starting the simulation](#) on page 636
- [Analyzing results](#) on page 637

Note: This entire chapter describes features that are not included in PSpice.

What is digital simulation?

Digital simulation is the analysis of logic and timing behavior of digital devices over time. PSpice A/D simulates this behavior during transient analysis. When computing the bias point, PSpice considers the digital devices in addition to any analog devices in the circuit.

PSpice A/D performs detailed timing analysis subject to the constraints specified for the devices. For example, flip-flops perform setup checks on the incoming clock and data signals. PSpice A/D reports any timing violations or hazards as messages written to the simulation output file and the waveform data file. See [Tracking timing violations and hazards](#) on page 644 for information about persistent hazards, and for descriptions of the warning messages.

Steps for simulating digital circuits

There are six steps in the development and simulation of digital circuits:

1. Drawing the design.

For more information on drawing designs see your *OrCAD Capture User's Guide*. Steps 2 through 6 of this process are covered in this chapter.

2. Defining the stimuli.
3. Setting the simulation time.
4. Adjusting the simulation parameters.
5. Starting the simulation.
6. Analyzing the results.

Concepts you need to understand

States

When the circuit is in operation, digital nodes take on values or output states shown in Table 14-1. Each digital state has a *strength* component as well. Strengths are described in the next section.

Table 14-1 Digital states

This state...	Means this...
0	Low, false, no, off
1	High, true, yes, on
R	Rising (changes from 0 to 1 sometime during the R interval)
F	Falling (changes from 1 to 0 sometime during the F interval)
X	Unknown: may be high, low, intermediate, or unstable
Z	High impedance: may be high, low, intermediate, or unstable

Note: States do not necessarily correspond to a specific, or even stable, voltage. A logical 1 level means only that the voltage is somewhere within the *high* range for the particular device family. The rising and falling levels only indicate that the voltage crosses the 0–1 threshold at some time during the R or F interval, not that the voltage change follows a particular slope.

Strengths

When a digital node is driven by more than one device, PSpice A/D determines the correct level of the node. Each output has a *strength* value, and PSpice A/D compares the strengths of the outputs driving the node. The *strongest* driver determines the resulting level of the node. If outputs of the same strength but different levels drive a node, the node's level becomes X.

PSpice A/D supports 64 strengths. The lowest (weakest) strength is called Z. The highest (strongest) strength is called the *forcing* strength. The Z strength (called high impedance) is typically output by disabled tristate gates or open-collector output devices. PSpice A/D reports any nodes of Z strength (at any level) as Z, and reports all other nodes by the designations shown in [Digital states](#) on page 617.

For additional information on this topic see [Defining Output Strengths](#) on page 399 of [Chapter 7, "Digital device modeling."](#)

Defining a digital stimulus

A digital stimulus defines input to the digital portions of your circuit, playing a role similar to that played by the independent voltage and current sources for the analog portion of your circuit.

The following table summarizes the digital stimuli provided in the part libraries.

Table 14-2

If you want to specify the input signal by...	Then use this part...	For this type of digital input...
Using the Stimulus Editor	DIGSTIMn	signal or bus stimulus
Defining part properties	DIGCLOCK	clock signal
	STIM1	one-bit stimulus
	STIM4	four-bit stimulus
	STIM8	eight-bit stimulus
	STIM16	sixteen-bit stimulus
	FILESTIM1	one-bit file-based stimulus
	FILESTIM2	two-bit file-based stimulus
	FILESTIM4	four-bit file-based stimulus
	FILESTIM8	eight-bit file-based stimulus
	FILESTIM16	sixteen-bit file-based stimulus
FILESTIM32	thirty-two-bit file-based stimulus	

Using the DIGSTIMn part

Use the DIGSTIMn stimulus parts to define a stimulus for a net or bus using the Stimulus Editor.

To use the DIGSTIMn part

1. From Capture's Place menu, choose Part.
2. Place and connect the DIGSTIM1 stimulus part from SOURCSTM.OLB to a wire or bus in your design.
3. Click the stimulus instance to select it.
4. From the Edit menu, choose PSpice Stimulus.

This starts the Stimulus Editor. The New Stimulus dialog box appears prompting you to define a new stimulus.
5. Enter DIGSTIM1 in the Name text box.
6. In the Digital frame, select Signal.
7. Click OK.
8. Define stimulus transitions; see [Defining input signals using the Stimulus Editor](#) below.

Defining input signals using the Stimulus Editor

Defining signal transitions

You can do any of the following when defining digital signal transitions:

- Add a transition
- Move a transition
- Edit a transition
- Delete a transition

Note: These operations cannot be applied to a stimulus defined as a clock signal.

To add a transition

1. From the Plot menu, choose Axis Settings.
2. Enter values in the Displayed Range for Time text boxes and the Timing Resolution text box as required for adding transitions.

For example, if you wish to add transitions every 1ms, set the Timing Resolution to 1ms.

3. Select the digital stimulus you want to edit.

When you select a transition to edit, a red handle appears.

4. From the Stimulus Editor's Edit menu, choose Add.
5. Click the waveform at the time where the transition is required.
6. Repeat step 4 to add additional transitions.
7. When you finish, right-click to exit the edit mode.

To move a transition

1. Click the transition you want to move.
2. If needed, use *Shift*+click to select additional transitions on the same signal or different signals.
3. Reposition the transition (or transitions) by dragging.

Note: If you press *Shift* while dragging, then all selected transitions move by the same amount.

To edit a transition

1. Do one of the following:
 - Select the transition you want to edit and from the Edit menu, choose Attributes.
 - Double-click the transition you want to edit.
2. In the Edit Digital Transition dialog box, edit the timing and value of the transition.
3. Click OK.

To delete a transition

1. Click the transition you want to delete.
2. If needed, press *Shift*+click to select additional transitions on the same signal or different signals.
3. From the Edit menu, choose Delete.

Defining clock transitions

To create a clock stimulus

1. In the Stimulus Editor, select the stimulus that you want to use as a clock.
2. From the Stimulus menu, choose Change Type.
3. Under Type, choose Clock.
4. Click OK.
5. Enter values for the clock signal attributes as described below.

Table 14-3

For this attribute...	Enter this...
Frequency	clock rate
Duty Cycle	percent of high versus low in decimal or integer units
Initial Value	starting value: 0 or 1
Time Delay	time after simulation begins when the clock stimulus takes effect

Example: To create a clock signal with a clock rate of 20 MHz, 50% duty cycle, a starting value of 1, and time delay of 5 nsec, set the signal properties as follows:

Frequency = 20Meg
Duty Cycle = 0.50 (or 50)

PSpice User Guide

Digital simulation

Initial Value = 1
Time Delay = 5ns

6. From the File menu, choose Save.

To change clock attributes

1. In the Stimulus Editor, do one of the following:
 - Double-click the clock name to the left of the axis.
 - Click the clock name and from the Edit menu, choose attributes.
2. Modify the clock attributes as needed.
3. Click OK.

Defining bus transitions

There are three steps for creating a bus:

1. Creating the digital bus stimulus.
2. Introducing transitions.
3. Optionally defining the radix for bus values.

These steps are described in detail in the following procedures.

To create a digital bus stimulus

1. From the Stimulus menu, choose New.
2. In the Name text box, enter Bus.
3. In the Digital frame, select Bus.
4. If needed, change the bus width from its default value of 8 bits. To do this, in the Width text box, type a different integer.
5. Click OK.

During any interval, the bits on the bus lines represent a value from zero through $(2^n - 1)$, where n is the number of bus lines. To set bus values, introduce transitions using either of the two methods described below.

To introduce transitions (method one)

1. From the Plot menu, choose Axis Settings.
2. Enter values in the Displayed Range for Time text boxes and the Timing Resolution text box as required for adding transitions.

For example, if you wish to add transitions every 1 ms, set the Timing Resolution to 1ms.

3. From the Stimulus Editor's Edit menu, choose Add.
4. In the digital value field on the toolbar (just right of the Add button), type a bus value in any of the following ways:

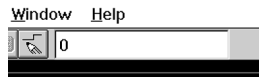


Table 14-4

To get this effect...	Type this...
A literal value	<code><unsigned_number>[;radix]</code> Example: 12
An increment	<code>+<unsigned_number>[;radix]</code> Example: +12 ; H
A decrement	<code>-<unsigned_number>[;radix]</code> Example: -12 ; 0

If you do not enter a radix value, the Stimulus Editor appends the default bus radix. To find out about valid radix values, see page [14-11](#).

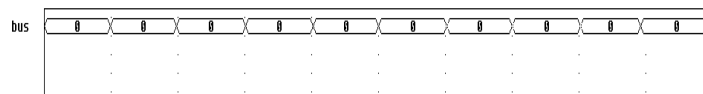
5. Click the waveform where you want the transition added.
6. Repeat steps [4](#) and [5](#) as needed.
7. When you finish, right-click to exit the editing mode.

To introduce transitions (method two)

1. From the Plot menu, choose Axis Settings.
2. Enter values in the Displayed Range for Time text boxes and the Timing Resolution text box as required for adding transitions.

For example, if you wish to add transitions every 1 ms, set the Timing Resolution to 1ms.

3. From the Stimulus Editor's Edit menu, choose Add.
4. Place the tip of the pencil-shaped pointer on the waveform, and click to create transitions as shown here:



Here are some other things that you can do:

- Move a transition left or right by clicking and dragging.
 - Delete a transition by selecting it and then, from the Edit menu, choosing Delete (or by pressing *Del*).
 - Select more than one transition by holding down *Shift* while clicking.
5. When you finish creating transitions, right-click.
 6. Click the transition at the start (far left) of the interval. A small diamond appears over the transition.
 7. From the Edit menu, choose Attributes to display the Edit Digital Transition dialog box.
 8. In the Transition Type frame, choose Set Value, Increment, or Decrement.
 9. Do one of the following to specify the bus value:
 - In the Value text box, type a value.
 - Select one of these defaults from the list: 0, All bits 1, X (Unknown), or Z (High impedance).
 10. Click OK.
 11. Repeat steps 6 through 10 for each transition.

To set the default bus radix

1. From the Tools menu, choose Options.
2. In the Bus Display Defaults frame, from the Radix list, select the radix you want as default.

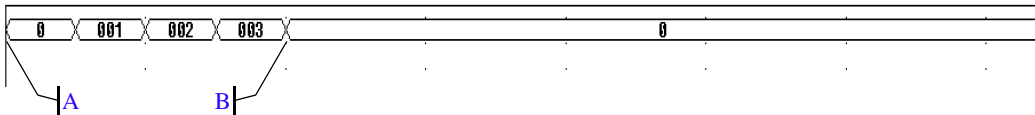
Table 14-5

Select this radix...	To show values in this notation...
Binary	base 2
Octal	base 8
Decimal	base 10
Hexadecimal	base 16

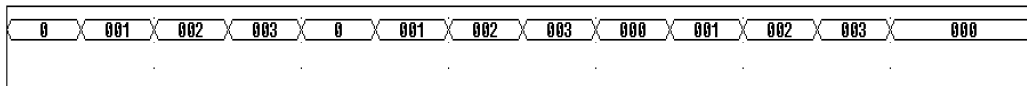
3. Click OK.

Adding loops

Suppose you have a stimulus that looks like this:



and you want to create a stimulus that consists of three consecutive occurrences of the sequence that starts at A and ends at B:



You can do this by using a standard text editor to edit a stimulus library file. Within this file is a sequence of transitions that produces the original waveform. With a text editor you can modify the stimulus definition so it repeats itself.

To add a loop

1. In the Stimulus Editor, save and close the stimulus file.
2. In a standard text editor (such as Notepad), open the stimulus file.
3. Find the set of consecutive lines comprising the sequence that you want to repeat.

Each relevant line begins with the time of the transition and ends with a value or change in value.

To find out more about the syntax of the stimulus commands used in the stimulus file, refer to the online *PSpice Reference Guide*.

4. Before these lines, insert a line that uses this syntax:

```
+ Repeat for n_times
```

where *n_times* is one of the following:

- A positive integer representing the number of repetitions.
- The keyword FOREVER, which means repeat this sequence for an unlimited number of times (like a clock signal).

5. Below these lines, insert a line that uses this syntax:

```
+ Endrepeat
```

6. From the File menu, choose Save.

Given the example shown on page 3, if you wanted to repeat the sequence shown from point A to point B three times, then you would modify the stimulus file as shown here (added lines are in bold):

```
+ Repeat for 3  
+ +0s 000000000  
+ 250us INCR BY 000000001  
+ 500us 000000010  
+ 750us INCR BY 000000001  
+ 1ms 000000000  
+ Endrepeat
```

Using the DIGCLOCK part

The DIGCLOCK part allows you to define a clock signal by using the part's properties.

For information on how to define a clock signal using the Stimulus Editor with the DIGSTIMn part, see [Defining signal transitions](#) on page 620.

To define a clock signal using DIGCLOCK

1. From Capture's Place menu, choose Part.
2. Place and connect a DIGCLOCK part.
3. Double-click the part instance.
4. Define the properties as described below.

Table 14-6

For this property...	Specify this...
DELAY	Time before the first transition of the clock
ONTIME	Time in high state for each period
OFFTIME	Time in low state for each period
STARTVAL	Low state of clock (default:0)
OPPVAL	High state of clock (default: 1)

Using STIM1, STIM4, STIM8 and STIM16 parts

The STIMn parts have a single pin for connection. STIM1 is used for driving a single net. STIM4, STIM8 and STIM16 drive buses that are 4, 8 and 16 bits wide, respectively. The properties for all of these parts are the same as those shown in [Table 14-7](#) below.

Table 14-7

Property	Description
WIDTH	Number of output signals (nodes).

Table 14-7

Property	Description
FORMAT	Sequence of digits defining the number of signals corresponding to a digit in any <i><value></i> term appearing in a <i>COMMAND_n</i> property definition. Each digit must be either 1, 3, or 4 (binary, octal, hexadecimal, respectively); the sum of all digits in <i>FORMAT</i> must equal <i>WIDTH</i> .
IO_MODEL	I/O model describing the stimulus' driving characteristics.
IO_LEVEL	Interface subcircuit selection from one of the four analog/digital subcircuits provided with the part's I/O model.
DIG_PWR	Digital power pin used by the interface subcircuit.
DIG_GND	Digital ground pin used by the interface subcircuit.
TIMESTEP	Number of seconds per clock cycle or step.
COMMAND1- COMMAND16	Stimulus transition specification statements including time/value pairs, labels, and conditional constructs.

When placed, you must connect each part to the wire or bus of the corresponding radix. Generally, you only need to modify the *FORMAT*, *TIMESTEP*, and *COMMAND_n* properties.

Typically, each *COMMAND_n* property contains only one command line. It is possible to enter more than one command line per property by placing *\n+* between command lines in a given definition. (The *n* must be lower case and no spaces between characters; spaces may precede or follow the entire key sequence.) Refer to the online *PSpice Reference Guide* for information about command line syntax.

Using the FILESTIM n parts

The FILESTIM n parts have a single pin for connection to the rest of the circuit. FILESTIM1 is used for driving a single net. FILESTIM2, FILESTIM4, FILESTIM8, FILESTIM16 and FILESTIM32 drive buses that are 2, 4, 8, 16 and 32 bits wide, respectively. You must define the digital stimulus specification in an external file. Using this technique, stimulus definitions can be created from scratch or extracted with little modification from another simulation's output file. Refer to the online *PSpice Reference Guide* for more information about creating digital stimulus specifications and files.

Table 14-8 lists the properties of the FILESTIM n parts. The IO_MODEL, IO_LEVEL, and PSPICEDEFAULTNET properties describing this part's I/O characteristics are provided with default values that rarely need modification. However, you must define the FILENAME property with the name of the external file containing the digital stimulus specification.

The SIGNAME property specifies the name of the signal inside the stimulus file which becomes the output from the FILESTIM n part. If left undefined, the name of the connected net (generally a labeled wire) determines which signal is used.

Table 14-8 FILESTIM n part properties

Property	Description
FILENAME	Name of file containing the stimulus specification. Note: If you do not specify the path to the stimulus file, you must place the file in the folder for the simulation profile for which you are configuring the stimulus.
SIGNAME	Name of output signal
IO_MODEL	I/O model describing the stimulus' driving characteristics
IO_LEVEL	Interface subcircuit selection from one of the four AtoD or DtoA subcircuits provided with the part's I/O model

Table 14-8 FILESTIM n part properties

Property	Description
PSPICEDEFAULTNET	Hidden digital power and ground pins used by the interface subcircuit. Name of the default net to use.

For example, a FILESTIM n part can be used to reset a counter, which could appear as shown in Figure 14-1 below.

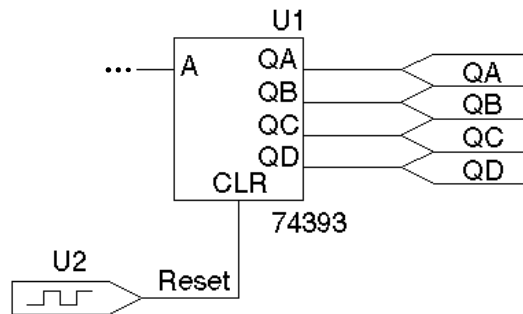


Figure 14-1 FILESTIM1 used on a schematic page.

In this case, the FILESTIM1 part instance, U2, generates a reset signal to the CLR pin of the 74393 counter.

To set up the U2 stimulus

The following steps set up the U2 stimulus so that the 74393 counter is cleared after 40 nsec have elapsed in a transient analysis.

1. Create a stimulus file named `RESET.STM` that contains the following lines:

```
Reset
0ns 1
40ns 0
```

The header line contains the names of all signals described in the file. In this case, there is only one: Reset.

The remaining lines are the state transitions output for the signals named in the header. In this case, the Reset signal remains at state 1 until 40nsec have elapsed, at which time it drops to state 0.

Note: A blank line is required between the signal name list and the first transition.

2. Place the `RESET.STM` file in the folder for the simulation profile for which you are configuring the stimulus.
3. Associate this file with the digital stimulus instance, U2, by setting U2's `FILENAME` property to `RESET.STM`.
4. Define the signal named Reset in `RESET.STM` as the output of U2 by setting U2's `SIGNAME` property to Reset. Since the labeled wire connecting U2 with the 74393 counter is also named Reset, it is also acceptable to leave `SIGNAME` undefined.

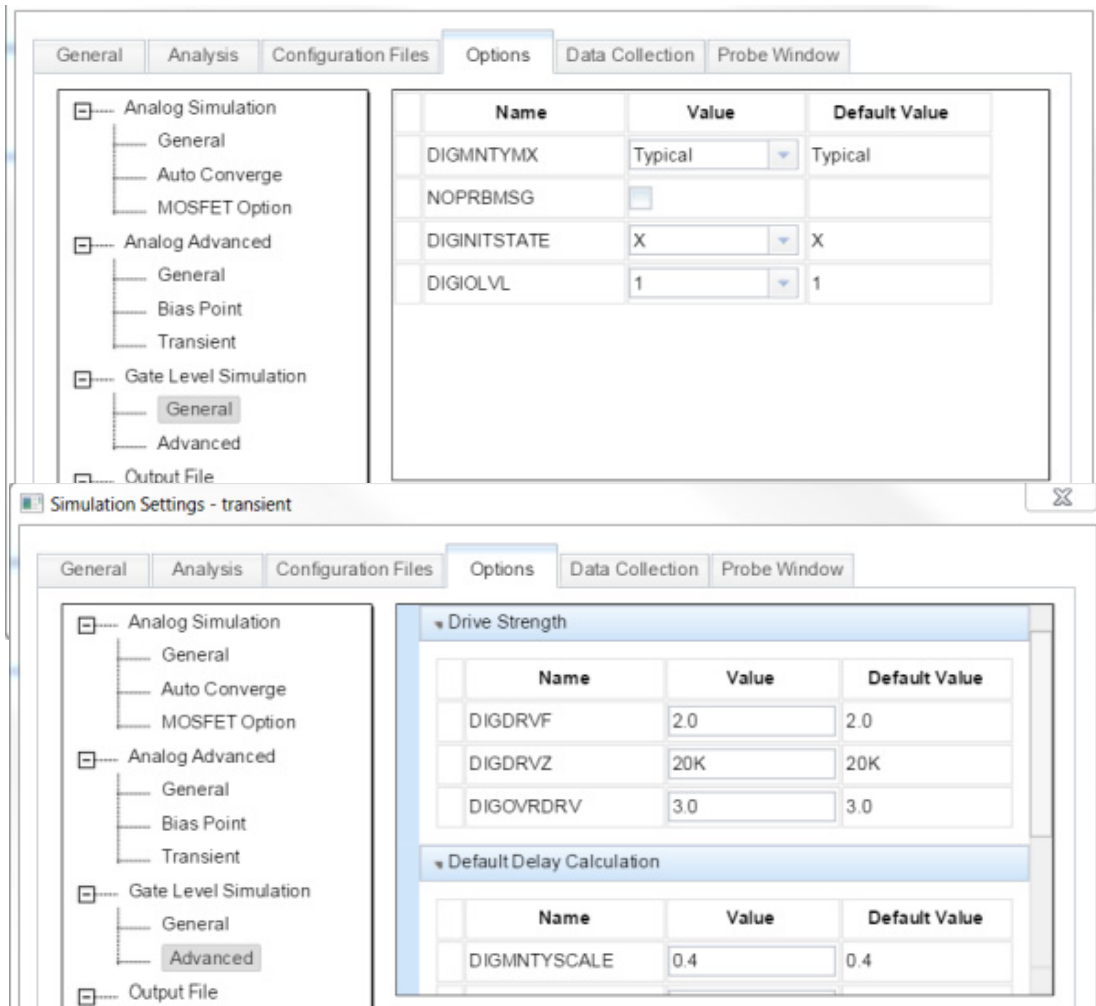
Defining simulation time

To set up the transient analysis

1. From Capture's PSpice menu, choose New Simulation Profile.
2. Enter a name for the new simulation profile.
3. Click OK.
4. In the Analysis Type list box on the Analysis tab, select Time Domain (Transient).
5. In the Run to Time text box, type the duration of the transient analysis.
6. Click OK.

Adjusting simulation parameters

Use the Options tab of the Simulation Settings dialog box to adjust the simulation behavior of your circuit's digital devices.



To access the digital settings in the Options tab

1. From Capture's PSpice menu, choose Edit Simulation Profile.
2. Click the Options tab.
3. In the tree structure, select Gate-level simulation.

Each of the dialog box settings is described in the following sections. For additional options, see [Output control options](#) on page 648.

Selecting propagation delays

All digital devices—including primitives and library models—perform simulations using either minimum, typical, maximum or worst-case (min/max) timing characteristics. You can set the delay circuit-wide or on individual device instances.

Circuit-wide propagation delays

You can set these to minimum, typical, maximum or variable within the min/max range for digital worst-case timing simulation on the Options tab of the Simulation Settings dialog box.

To specify the delay level circuit-wide

1. From Capture's PSpice menu, choose Edit Simulation Profile.
2. Click the Options tab.
3. In the Category list box, select Gate-level simulation.

Part instance propagation delays

You can set the propagation delay mode on an individual device, thereby overriding the circuit-wide delay mode.

To override the circuit-wide default on an individual part

1. Set the part's MNTYMXDLY property from 1 to 4 where
 - 1 = minimum
 - 2 = typical
 - 3 = maximum
 - 4 = worst-case (min/max)

By default, MNTYMXDLY is set to 0, which tells PSpice A/D to use the circuit-wide value defined in the Options tab.

Initializing flip-flops

To initialize all flip-flops and latches

Select one of the three Flip-flop Initialization choices on the Options tab:

- If set to X, all flip-flops and latches produce an X (unknown state) until explicitly set or cleared, or until a known state is clocked in.

Note: The X initialization is the *safest* setting, since many devices do not power up to a known state. However, the 0 and 1 settings are useful in situations where the initial state of the flip-flop is unimportant to the function of the circuit, such as a toggle flip-flop in a frequency divider.

- If set to 0, all such devices are cleared.
- If set to 1, all such devices are preset.

Refer to the online *PSpice Reference Guide* for more information about flip-flops and latches.

Starting the simulation

To start the simulation

From the PSpice menu, choose Run.

After PSpice A/D completes the simulation, the graphical waveform analyzer starts automatically.

Analyzing results

PSpice A/D includes a graphical waveform analyzer for simulation results. In effect, the waveform viewer in PSpice A/D is a software oscilloscope. Running PSpice A/D corresponds to building or changing a breadboard, and the waveform viewer corresponds to looking at the breadboard with an oscilloscope. You can observe and interactively manipulate the waveform data produced by circuit simulation. For a full discussion of how the waveform viewer is used to analyze results, see [Chapter 17, “Analyzing waveforms.”](#)

For mixed analog/digital simulations, the waveform analyzer can display analog and digital waveforms simultaneously with a common time base.

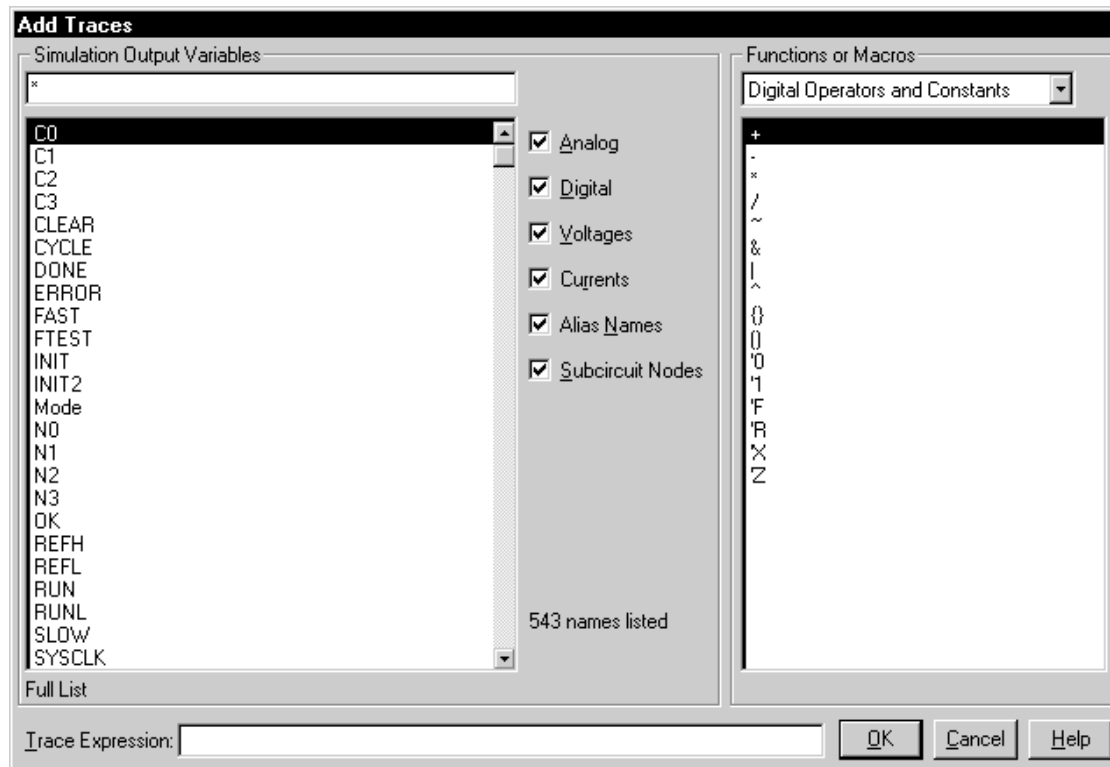
PSpice A/D generates two forms of output: the simulation output file and the waveform data file. The calculations and results reported in the simulation output file are like an audit trail of the simulation. However, the graphical analysis of information stored in the data file is a more informative and flexible method for evaluating simulation results.

PSpice User Guide

Digital simulation

To display waveforms

1. From the Trace menu, choose Add Trace.



2. Select traces for display:

- In the Simulation Output Variables list, click any waveforms you want to display. Each appears in the Trace Expressions box at the bottom.
- Construct expressions by selecting operators, functions and/or macros from the Functions or Macros list, and output variables in the Simulation Output Variables list.
- You can also type trace expressions directly into the Trace Expression text box. A typical set of entries might be:

```
IN1 IN2 Q1 Q2
```

Note: Use spaces or commas to separate the output variables you place in the Trace Expressions list.

3. Click OK.

Waveforms for the selected output variables appear.

For detailed information on how to add digital traces, see [Digital trace expressions](#) on page 784.

Adding digital signals to a plot

When defining digital trace expressions, you can include any combination of digital signals, buses, signal constants, bus constants, digital operators, macros and the Time sweep variable.

The following rules apply:

- An arithmetic or logical operation between two bus operands results in a bus value that is wide enough to contain the result.
- An arithmetic or logical operation between a bus operand and a signal operand results in a bus value.

The syntax for expressing a digital output variable or expression is:

digital_output_variable [; *display_name*]

or

digital_expression [; *display_name*]

Table 14-9

This placeholder...	Means this...
<i>digital_output_variable</i>	output variable from the Simulation Output Variable list (Digital check box selected)
<i>digital_expression</i>	expression using digital output variables and operators
<i>display_name</i> (optional)	text string (name) to label the signal on the plot, instead of using the default output variable notation

To add a digital trace expression

1. In the Add Traces dialog box, make sure you select the Digital check box.
2. Do one of the following:

PSpice User Guide

Digital simulation

- ❑ In the Simulation Output Variables list, click the signal you want to display.
 - ❑ In the Trace Expression text box, create a digital expression by either typing the expression, or by selecting digital output variables from the Simulation Output Variables list and digital operators from the Digital Operators and Functions list.
3. If you want to label a signal with a name that is different from the output variable:
- a. Click in the Trace Expression text box after the last character in the signal name.
 - b. Type `;display_name` where *display_name* is the name of the label.

Example: `U2:Y;OUT1`

where `U2:Y` is the output variable. On the plot, the signal is labeled `OUT1`.

Adding buses to a waveform plot

You can evaluate and display a set of up to 32 signals as a bus *even if the selected signals were not originally a bus*. This is done by following the same procedure already given for adding digital signals to the plot. However, when adding a bus, be sure to enclose the list of signals in braces: { }.

```
{ Q3 Q2 Q1 Q2 }
```

The complete syntax is as follows:

```
{signal_list} [ ; [display_name] [ ; radix] ]
```

or

```
{bus_prefix[msb:lsb] } [ ; [display_name] [ ; radix] ]
```

Table 14-10

This placeholder...	Means this...
<i>signal_list</i>	comma- or space-separated list of up to 32 digital node names, in sequence from high order to low order
<i>bus_prefix</i> [<i>msb:lsb</i>]	alternate way to express up to 32 signals in the bus
<i>display_name</i> (optional)	text string (name) to label the bus on the plot, instead of using the default output variable notation
	Note: To change the radix without changing the display name, be sure to include two consecutive semicolons. Example: {A3,A2,A1,A0};;radix
<i>radix</i> (optional)	numbering system in which to display bus values

Valid entries for *radix* are shown in the following table.

Table 14-11

For this numbering system...	Use this notation...
Binary (base 2)	B
Decimal (base 10)	D
Hexadecimal (base 16)	H or X
Octal (base 8)	O (the letter)

To add a bus expression

1. In the Add Traces dialog box, in the Functions and Macros list, choose Digital Operators and Constants.
2. Click the { } entry.
3. In the Simulation Output Variables list, select the signals in high-order to low-order sequence.
4. If you want to label the bus with a name that is different from the default:
 - a. Click in the Trace Expression text box after the last character in the bus name.
 - b. Type `;display_name` where *display_name* is the name of the label.
5. If you want to set the radix to something different from the default:
 - a. Click in the Trace Expression text box after the last character in the expression.
 - b. Type one of the following where *radix* is a value from Table [14-11](#):
 - If you specified a *display_name*, then type `;radix`.
 - If you did not specify a *display_name*, then type `;;radix` (two semicolons preceding the radix value).

PSpice User Guide

Digital simulation

Examples:

- `{Q2,Q1,Q0};A;O` specifies a 3-bit bus whose most significant bit is Q2. PSpice labels the plot A, and values appear in octal notation.
- `{a3,a2,a1,a0};;d` specifies a 4-bit bus. On the plot, values appear in decimal notation. Since no display name is specified, PSpice uses the signal list as a label.
- `{a[3:0]}` is equivalent to `{a3,a2,a1,a0}`

Tracking timing violations and hazards

When there are problems with your design, such as setup/hold violations, pulse-width violations, or worst-case timing hazards, PSpice A/D saves messages to the simulation output file or data file. You can select messages and have the associated waveforms and detailed message text automatically appear. The messaging feature is discussed further in [Tracking digital simulation messages](#) on page 767 of [Chapter 17, “Analyzing waveforms.”](#)

PSpice A/D can also detect persistent hazards that may have a potential effect on a primary circuit output or on the internal state of the design.

Persistent hazards

Digital problems are usually either timing violations or timing hazards. Timing violations include SETUP, HOLD and minimum pulse WIDTH violations of component specifications. This type of violation may produce a change in the state behavior of the design, and potentially in the answer. However, the effects of many of these errors are short-lived and do not influence the final circuit results.

For example, consider an asynchronous data change on the input to flip-flop FF1 in Figure 14-2 below. The data change is too close to the clock edge e1, resulting in a SETUP violation. In a hardware implementation, the output of FF1 may or may not change. However, some designs are not sensitive to this individual missed data because the next clock edge (e2 in this example) latches the data. The designer must judge the significance of timing errors, accounting for the overall behavior of the design.

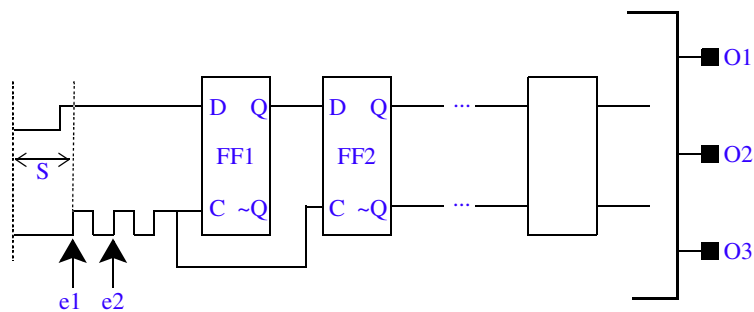


Figure 14-2 Circuit with a timing error.

Timing hazards are most easily identified by simulating a design in worst-case timing mode, usually close to its critical timing limits. Under such conditions, PSpice A/D reports conditions such as **AMBIGUITY CONVERGENCE** hazards. Again, these may or may not pose a problem to the operation of the design.

However, there are identifiable cases that cause major problems. An example of a major problem is shown in Figure 14-3 below. Due to the simultaneous arrival of two timing ambiguities (having unrelated origins, therefore nothing in common) at the inputs to gate G1, PSpice A/D reports the occurrence as an **AMBIGUITY CONVERGENCE** hazard. This means that the output of G1 may glitch.

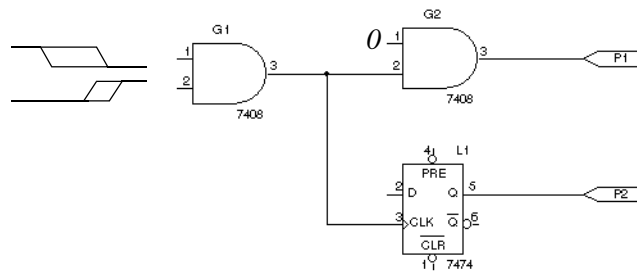


Figure 14-3 Circuit with a timing ambiguity

Note that the output fans out to two devices, G2 and L1. The effects of a glitch on G1 in this case do not reach the circuit output P1, because that path is not sensitized (since the other input to G2 is held LO and thus blocks the symptom). However, because G1's output is also used to clock latch L1, the effects of a glitch could result in visibly incorrect behavior on output P2. This is an example of a persistent hazard.

A persistent hazard is a timing violation or hazard that has a potential effect on a primary (external) circuit output or on the internal state (stored state or memory elements) of the design. For the design to be considered reliable, you must correct such timing hazards.

PSpice A/D fully distinguishes between state uncertainty and time uncertainty. When a hazard occurs, PSpice A/D propagates hazard origin information along with the machine state through all digital devices. When a hazard propagates to a state-storage device primitive (JKFF, DFF, SRFF, DLTCH, RAM), PSpice A/D reports a **PERSISTENT HAZARD**.

Simulation condition messages

PSpice A/D produces warning messages in various situations, such as those that originate from the digital CONSTRAINT devices monitoring timing relationships of digital nodes. These messages are directed to the simulation output file and/or to the waveform data file. Options are available for controlling where and how many of these messages are generated, as summarized later in this section.

Table [14-12](#) below summarizes the simulation message types, with a brief description of their meaning. Currently, the messages supported are specific to digital device timing violations and hazards.

Table 14-12 Simulation condition messages—timing violations

Message type	Severity level	Meaning
SETUP	WARNING	Minimum time required for a data signal to be stable <i>prior</i> to the assertion of a clock was not met.
HOLD	WARNING	Minimum time required for a data signal to be stable <i>after</i> the assertion of a clock was not met.
RELEASE	WARNING	Minimum time required for a signal that has gone inactive (usually a control such as CLEAR) to remain inactive before the asserting clock edge was not met.
WIDTH	WARNING	Minimum pulse width specification for a signal was not satisfied; that is, a pulse that was too narrow was observed on the node.
FREQUENCY	WARNING	Minimum or maximum frequency specification for a signal was not satisfied. Minimum frequency violations indicate that the period of the measured signal is too long, while maximum frequency violations describe signals changing too rapidly.
GENERAL	INFO	Boolean expression described within the GENERAL constraint checker was evaluated and produced a <i>true</i> result.

PSpice User Guide
Digital simulation

Table 14-13 Simulation condition messages—hazards

Message type	Severity level	Meaning
AMBIGUITY CONVERGENCE	WARNING	Convergence of conflicting rising and falling states (timing ambiguities) arrived at the inputs of a primitive and produced a pulse (glitch) on the output. See Chapter 16, “Digital worst-case timing analysis” for more information.
CUMULATIVE AMBIGUITY	WARNING	Signal ambiguities are additive, increased by propagation through each level of logic in the circuit. The ambiguities associated with both edges of a pulse increased to the point where they overlapped, which PSpice reports as a cumulative ambiguity hazard. See Chapter 16, “Digital worst-case timing analysis” for more information.
SUPPRESSED GLITCH	WARNING	Pulse applied to the input of a primitive that is shorter than the active propagation delay was ignored by PSpice A/D; significance depends on the nature of the circuit. There might be a problem either with the stimulus, or with the path delay configuration of the circuit. See Chapter 16, “Digital worst-case timing analysis” for more information.
NET-STATE CONFLICT	WARNING	Two or more outputs attempted to drive a net to different states, which PSpice A/D reports as an X (unknown) state. This usually results from improper selection of a bus driver’s enable inputs.
ZERO-DELAY- OSCILLATION	FATAL	Output of a primitive changed more than 50 times within a single digital time step. PSpice A/D aborted the run.
DIGITAL INPUT VOLTAGE	SERIOUS	Voltage on a digital pin was out of range, which means PSpice A/D used the state with a voltage range closest to the input voltage and continued the simulation.
PERSISTENT HAZARD	SERIOUS	Effects of any of the aforementioned logic hazards were able to propagate to either an external port or to any storage device in the circuit. See Persistent hazards on page 644 for more information.

Output control options

Four control options are available for managing the generation of simulation condition messages. These are described in Table 14-14.

To access these commands, select the Options tab in the Simulation Settings dialog box. You can set NOOUTMSG and NOPRBMSG by selecting the Output file option. You can set DIGERRDEFAULT and DIGERRLIMIT by selecting the Gate-level simulation tree structure.

Table 14-14 Simulation message output control options

This option...	Means this...
NOOUTMSG	Suppresses the recording of simulation condition messages in the simulation output file.
NOPRBMSG	Suppresses the recording of simulation condition messages in the waveform data file.
DIGERRDEFAULT=< <i>n</i> >	Establishes a default limit, <i>n</i> , to the number of condition messages that may be generated by any digital device that has a constraint checker primitive without a local default. If global or local defaults are unspecified, there is no limit.
DIGERRLIMIT=< <i>n</i> >	Establishes an upper limit, <i>n</i> , for the total number of condition messages that may be generated by any digital device. If this limit is exceeded, PSpice A/D aborts the run. By default, the total number of messages is 20.

Severity levels

PSpice assigns one of four severity levels to the messages:

- FATAL
- SERIOUS

PSpice User Guide

Digital simulation

- WARNING
- INFO (informational)

FATAL conditions cause PSpice A/D to cancel the simulation. Under all other severity levels, PSpice A/D continues to run. The severity levels are used to filter the classes of messages that are displayed when loading a data file.

PSpice User Guide

Digital simulation

Mixed analog/digital simulation

Chapter overview

This chapter describes how PSpice A/D runs mixed analog/digital simulations and includes the following sections:

- [Interconnecting analog and digital parts](#) on page 652
- [Interface subcircuit selection by PSpice](#) on page 653
- [Specifying digital power supplies](#) on page 657
- [Interface generation and node names](#) on page 663

Note: This entire chapter describes features that are not included in PSpice.

Interconnecting analog and digital parts

Prior to simulation, netlisting translates the part instances and nets defined in your schematic into parts connected by nodes. The standard simulation netlist contains a flat view of the circuit. You can also create hierarchical netlists. PSpice A/D extracts the definitions for all parts modeled as subcircuits, viewing parts as a collection of primitive parts and node connections.

The digital primitives that make up a digital part determine the way that PSpice A/D processes an analog/digital interface to that part. Specifically, the I/O model for each digital primitive connected at the interface gives PSpice A/D the necessary information.

PSpice A/D recognizes three types of nodes: analog nodes, digital nodes, and interface nodes. The node type is determined by the types of parts connected to it. If all of the parts connected to a node are analog, then it is an analog node. If all of the parts are digital, then it is a digital node. If there is a combination of analog and digital parts, then it is an interface node.

PSpice A/D automatically breaks interface nodes into one purely analog and one or more digital nodes by inserting one or more analog/digital interface subcircuits.

PSpice A/D also automatically connects a power supply to the interface subcircuit to complete the generation of the interface.

To view simulation results at an analog/digital interface in your schematic using the graphical waveform analyzer:

- Place a marker on the appropriate interface net. The additional nodes created by PSpice A/D remain transparent.
- View results in PSpice A/D by selecting traces from the output variable list (from the Trace menu, choose Add Trace). If you use this approach, note the names PSpice A/D generates for the new nodes. To find out more, see [Interface generation and node names](#) on page 663.

Interface subcircuit selection by PSpice

Analog-to-digital (AtoD) and digital-to-analog (DtoA) interface subcircuits handle the translation between analog voltages/ impedances and digital states, or vice-versa. The main component of an interface subcircuit is either a PSpice N part (digital input: digital-to-analog) or a PSpice O (that's the letter O, not the numeral zero) part (digital output: analog-to-digital).

PSpice N and O parts are neatly packaged into interface subcircuits in the model library. The standard model library shipped with your software installation includes interface subcircuits for each of the supported logic families: TTL, CD4000 series CMOS and high-speed CMOS (HC/HCT), ECL 10K, and ECL 100K. This frees you from ever having to define them yourself when using parts in the standard library. If you are creating custom digital parts in technologies other than those provided in the standard model library, you may need to create your own interface subcircuits.

Note: To search for particular parts in the standard PSpice libraries, see the online *PSpice Library List*.

Every digital primitive comprising the subcircuit description of a digital part has an I/O model describing its loading and driving characteristics. The name of the interface subcircuit actually inserted by PSpice A/D is specified by the I/O model of the digital primitive at the interface. The I/O model has parameters for up to four analog-to-digital (AtoD) and four digital-to-analog (DtoA) subcircuit names.

You can choose among four interface levels of subcircuit models, depending on the simulation accuracy you need. In some cases you may need more accurate simulations of the input/output stages of a digital part, while in other cases, a simpler, smaller model is enough.

Digital parts provided in the standard libraries only use interface levels 1 and 2. With the exception of the HC/HCT series (described below), levels 3 and 4 reference the same subcircuits as levels 1 and 2. Table [15](#) below summarizes the four interface levels.

The difference between levels 1 and 2 only occurs in the AtoD interfaces, described below. In all cases, the level 1 DtoA interface is

the same as the level 2 DtoA interface, except that the level 2 DtoA interface does not generate intermediate R, F, and X levels.

Table 15-1 Interface subcircuit models

Level	Subcircuits	Definition
1	AtoD1/DtoA1	AtoD generates intermediate R, F, and X levels
2	AtoD2/DtoA2	AtoD does not generate intermediate R, F, and X levels
3	AtoD3/DtoA3	(same as level 1)
4	AtoD4/DtoA4	(same as level 2)

The OrCAD libraries provide two different DtoA models in the HC/HCT series: the *simple* model and the *elaborate* model. You can use the simple model by specifying level 1 or 2, the elaborate model by specifying level 3 or 4. The elaborate model is noticeably slower than the simple model, so you should only use it if you are using a power supply level other than 5.0 volts.

The HC/HCT level 1 and 2 DtoA models produce accurate I-V curves given a fixed power supply of 5.0 volts and a temperature of 25° C. The level 3 and 4 DtoA models produce accurate I-V curves over the acceptable range of power supply voltages (2-6 volts), and they include temperature derating.

Level 1 interface

The level 1 AtoD interface generates intermediate logic levels (R, F, X) between the voltage ranges VILMAX and VIHMIN (specific voltages depend on the technology you are using). A steadily rising voltage on the input of the AtoD will transition from 0 to R at VILMAX and from R to 1 at VIHMIN. The F level is output for steadily falling voltages in a similar manner. The X level is produced if the input voltage starts in the threshold region or doubles back into a previously crossed threshold.

Level 1 (the default) strictly maps logic levels onto the changing input voltage. The exact switching voltage is assumed to be anywhere

between VILMAX and VIHMIN due to temperature or power supply variations. Thus, it provides more accurate, less optimistic results.

This behavior may not be appropriate when the input rise and fall times are long, or when the input voltage never leaves the threshold region. If this is the case, you may want to use the level 2 interface.

Level 2 interface

The level 2 AtoD interface transitions directly from 0 to 1 and 1 to 0 without passing through intermediate R, F, or X levels. An exact switching voltage is assumed (again, the specific voltage depends on the technology you are using). It provides a more optimistic, and therefore less accurate, response than level 1. Level 2's behavior is appropriate when the input voltage oscillates around the threshold voltage.

Note: You can avoid simulations that get bogged down with the greater detail of R, F, and X states around these oscillations. You may want to specify level 2 on only those parts for which this behavior is critical to a successful simulation. This is described in [Setting the default A/D interface](#) below.

Setting the default A/D interface

For mixed-signal simulation, you can select the AtoD and DtoA interface level circuit-wide and on individual part instances.

- To select the default interface level circuit-wide, select one of the four Default A/D interfaces in the Simulation Settings dialog box by selecting the Gate-level simulation category under the Options tab. Part instances with the IO_LEVEL property set to 0 use this value.
- You can override the circuit-wide default on an individual part by specifying an IO_LEVEL property from 1 to 4, where:

- 1: AtoD1 and DtoA1 (default)
- 2: AtoD2 and DtoA2
- 3: AtoD3 and DtoA3
- 4: AtoD4 and DtoA4

For example, you can tell the simulator to use the level 2 interface subcircuits for a 7400 part by setting the IO_LEVEL property to 2. All other part instances continue to use the circuit-wide setting. By default, IO_LEVEL is set to 0, which tells the simulator to use the circuit-wide level defined in the Gate-level simulation category in the Simulation Settings dialog box.

Specifying digital power supplies

Digital power supplies are used to power interface subcircuits that are automatically created by PSpice A/D when simulating analog/digital interfaces. They are specified as follows:

- PSpice A/D can instantiate them automatically.
- You can create your own digital power supplies and place them in your design.

When using parts from the standard libraries in your design, you can usually have PSpice A/D automatically create the necessary digital power supply. If you use custom digital parts created in technologies other than those provided in the standard model library, you may need to create your own digital power supplies.

Because digital power supplies are used only by analog/digital interface subcircuits, digital power supplies are not needed for digital-only designs. We recommend avoiding placing a power supply to a digital-only design because it may increase simulation time and memory usage.

Default power supply selection by PSpice A/D

When PSpice A/D encounters an analog/digital interface, it creates the appropriate interface subcircuit and power supply according to the I/O model referenced by the digital part. The I/O model is specific to the digital part's logic family. The power supply provides reference or drive voltage for the analog side of the interface.

By default, PSpice A/D inserts one power supply subcircuit for every logic family in which a digital primitive is involved with an analog/digital interface. These power supply subcircuits create the digital power and ground nodes that are the defaults for all parts in that family. If multiple digital primitives from the same logic family are involved with analog/digital interfaces, one instance of the power supply subcircuit is created with all primitives connected to the power supply nodes.

Table [15-2](#) summarizes the default node names and values. For instance, TTL power supplies have a default value of 5.0 volts at analog/digital interfaces.

PSpice User Guide
Mixed analog/digital simulation

Table 15-2 Default digital power/ground pin connections

Logic family	Digital power/ground pin properties	Default digital power/ground nodes
TTL	PSPICEDEFAULTNET (PWR)	\$G_DPWR (5.0 volts)
	PSPICEDEFAULTNET (GND)	\$G_DGND (0 volts)
CD4000	PSPICEDEFAULTNET (VDD)	\$G_CD4000_VDD (5 volts)
	PSPICEDEFAULTNET (VSS)	\$G_CD4000_VSS (0 volts)
ECL 10K	PSPICEDEFAULTNET (VEE)	\$G_ECL_10K_VEE (-5.2 volts)
	PSPICEDEFAULTNET (VCC1)	\$G_ECL_10K_VCC1 (0 volts)
	PSPICEDEFAULTNET (VCC2)	\$G_ECL_10K_VCC2 (0 volts)
ECL 100K	PSPICEDEFAULTNET (VEE)	\$G_ECL_100K_VEE (-4.5 volts)
	PSPICEDEFAULTNET (VCC1)	\$G_ECL_100K_VCC1 (0 volts)
	PSPICEDEFAULTNET (VCC2)	\$G_ECL_100K_VCC2 (0 volts)

The PSPICEDEFAULTNET pin properties have the same default values as the digital power and ground nodes created by the default power supply. These node assignments are passed from the part instance to the digital primitives describing its behavior, connecting any digital primitive affected by an analog connection to the correct power supply.

The default I/O models and power supply subcircuits are found in DIG_IO.LIB. The four default power supplies provided in the model library are DIGIFPWR (TTL), CD4000_PWR (CD4000 series CMOS), ECL_10K_PWR (ECL 10K), and ECL_100K_PWR (ECL 100K).

Creating custom digital power supplies

Each digital part model has optional digital power and ground nodes that you can use to specify custom power supplies. To do this, use one of the digital power supplies listed in Table 15-3 below in your design and redefine the digital power supply nodes.

Table 15-3 Digital power supply parts in SPECIAL.OLB

Part type (PSpice A/D X model)	Part name
CD4000 power supply	CD4000_PWR
TTL power supply	DIGIFPWR
ECL 10K power supply	ECL_10K_PWR
ECL 100K power supply	ECL_100K_PWR

When creating custom power supplies, you can refer to the power supply definitions in DIG_IO.LIB for examples of power supply subcircuit definitions. The properties relevant to creating custom power supplies are shown in Table 15-4.

Table 15-4 Digital power supply properties

Part name	Property	Description
CD4000_PWR	VOLTAGE	CD4000 series CMOS power supply voltage
	PSPICEDEFAULTNET	CD4000 series CMOS hidden power supply pins for VDD and VSS
DIGIFPWR	VOLTAGE	TTL power supply voltage
	PSPICEDEFAULTNET	TTL hidden power (PWR) and ground (GND) pins

PSpice User Guide

Mixed analog/digital simulation

Part name	Property	Description
ECL_10K_PWR	VEE	ECL power supply voltages
ECL_100K_PWR	VCC1 VCC2	
	PSPICEDEFAULTNET	ECL hidden power supply pins for VEE, VCC1 and VCC2

To create a custom digital power supply

Note: This procedure applies to all logic families.

1. Place the appropriate power supply part listed in Table [15-3](#) in your design (by logic family).
2. Rename the power supply power and ground pins (PSPICEDEFAULTNET properties).
3. Reset the power supply power and ground voltages as required.
4. For any digital part instance that uses the power supply, set its appropriate PSPICEDEFAULTNET pin properties to the power and ground pins created by the secondary power supply.

Overriding CD4000 power supply voltage throughout a design

Designs using CD4000 parts often require power supply voltages other than the default 5.0 volts supplied by the standard CD4000_PWR power supply part. If needed, you can override the power supply voltage for all CD4000 parts in a design.

The default power supply nodes used by CD4000 parts are named \$G_CD4000_VDD and \$G_CD4000_VSS as created by the power supply subcircuit CD4000_PWR. This supply defaults to 5.0 volts. You can override the voltage across these two nodes by defining values for the parameters named CD4000_VDD and CD4000_VSS that are referenced by the CD4000_PWR subcircuit definition.

To change the CD4000_PWR power supply to 12 volts, referenced to ground:

1. Place an instance of the PARAM pseudo-part from SPECIAL.OLB.
2. Create a new PARAM property as follows:

```
CD4000_VDD = 12.0V
```

DC4000_VSS is left at its default of 0 volts.

If the reference voltage also needs to be reset, the same method can be used to define the CD4000_VSS parameter by setting this property of the same PARAM instance. For example, if you want the supplies to go between -5 volts and +5 volts (a difference of 10 volts), set CD4000_VSS to -5V and CD4000_VDD to +10V; as a result, CD4000_VDD is 10 volts above CD4000_VSS, or +5 volts.

Creating a secondary CD4000, TTL, or ECL power supply

Designs using CD4000, TTL, or ECL parts may require power supply voltages in addition to the default 5.0 volts supplied by the standard CD4000_PWR power supply part.

To create a secondary power supply for any one of the CD4000, TTL, or ECL technologies, you must place the appropriate power supply part and create user-defined nodes with a new voltage value.

Note: Designs with TTL and ECL parts rarely require secondary power supplies. If needed, however, you can use this procedure to add a secondary power supply for TTL and ECL parts.

To create and use a secondary CD4000 power supply with nodes MY_VDD and MY_VSS and a voltage of 3.5 volts:

1. Place the CD4000_PWR power supply and modify the appropriate pin properties as follows:

```
VOLTAGE = 3.5V  
PSPICEDEFAULTNET = MY_VDD  
PSPICEDEFAULTNET = MY_VSS
```

2. Select a CD4000 part in the schematic to which the new power supply should apply, then change the appropriate pin properties as follows:

PSpice User Guide

Mixed analog/digital simulation

```
PSPICEDEFAULTNET = MY_VDD  
PSPICEDEFAULTNET = MY_VSS
```

Interface generation and node names

The majority of the interface generation process involves PSpice A/D determining whether analog and digital primitives are connected, and if so, inserting an interface subcircuit for each digital connection. This turns the interface node into a purely analog node, which now connects to the analog terminal of the interface subcircuit. To complete the original connection, PSpice A/D creates a new digital node between the digital terminal of the interface subcircuit and the digital primitive.

Because PSpice A/D must create new digital nodes, it must give them unique names. These node names are used in the output variables in the list of viewable traces when you choose Add Trace from the Trace menu. Name generation follows these rules:

- The analog node retains the name of the original interface node—either the labeled wire name in the design, or the node name automatically generated for an unlabeled wire.
- Each new digital node name consists of the labeled wire name in the design or the node name automatically generated for an unlabeled wire, appended with \$AtoD or \$DtoA. If the node is attached to more than one digital part, the second digital node is appended with \$AtoD2 or \$DtoA2, and so on.

Figure [15-1](#) below shows a fragment of a mixed analog/digital circuit before and after the interface subcircuits have been added. The wires labeled 1 and 2 in the schematic representation are the interface nets connecting analog and digital parts. These translate to interface

PSpice User Guide

Mixed analog/digital simulation

nodes, which are processed by PSpice A/D to create the circuit fragment shown in the PSpice A/D representation.

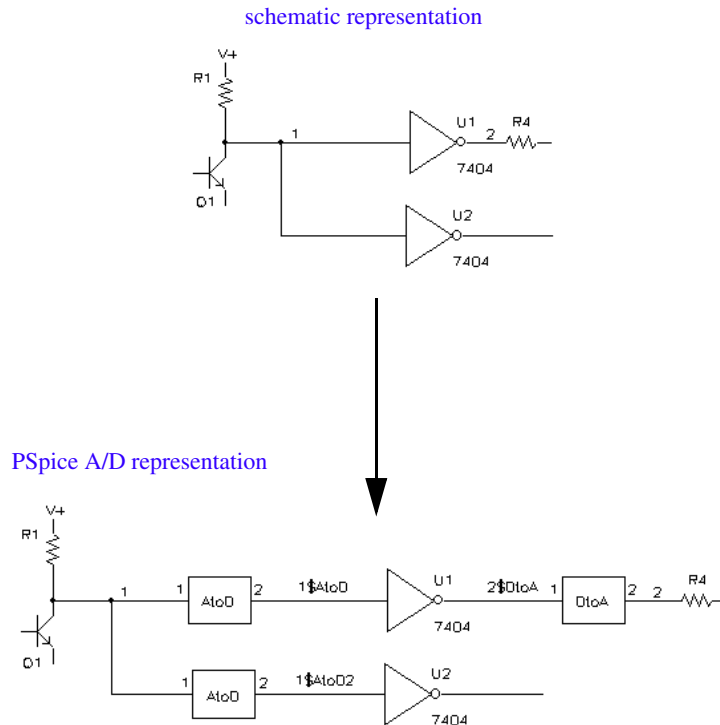


Figure 15-1 Mixed analog/digital circuit before and after interface generation.

After interface generation, node 1 is a purely analog node, connecting the resistor, transistor, and the analog inputs of both AtoD subcircuits. Node 2 is also a purely analog node, connecting the resistor and the analog output of the DtoA interface. You can see that PSpice A/D inserted two new digital nodes, 1\$AtoD1 and 1\$AtoD2, which connect the outputs of the AtoD interfaces to the inverter inputs. It also created one digital node, 2\$DtoA1, to connect the output of U1 to the digital input of the DtoA interface.

The interface subcircuits PSpice A/D automatically generates are listed in the simulation output file under the section named Generated AtoD and DtoA Interfaces. For the example in Figure 15-1, this section would appear in the simulation output file as shown in Figure 15-2 below.

PSpice User Guide

Mixed analog/digital simulation

```
**** Generated AtoD and DtoA Interfaces ****
*
* Analog/Digital interface for node 1
*
* Moving X1.U1:A from analog node 1 to new digital node * 1$AtoD
X$1_AtoD1 1 1$AtoD $G_DPWR $G_DGND AtoD_STD
+ PARAMS: CAPACITANCE= 0
* Moving X2.U1:A from analog node 1 to new digital node * 1$AtoD2
X$1_AtoD2 1 1$AtoD $G_DPWR $G_DGND AtoD_STD
+ PARAMS: CAPACITANCE= 0
*
* Analog/Digital interface for node 2
*
** Moving X1.U1.Y from analog node 2 to new digital node * 2$DtoA
X$2_DtoA1 2$DtoA 2 $G_DPWR $G_DGND DtoA_STD
+ PARAMS: DRVL=0 DRVH=0 CAPACITANCE=0
*
* Analog/Digital interface power supply subcircuit
*
X$DIGIFPWR 0 DIGIFPWR

.END ;(end of AtoD and DtoA interfaces)
```

Figure 15-2 Simulation output for mixed analog/digital circuit.

The lines that begin with “Moving...from analog node” indicate the new digital node names that were generated. Below each of these are the interface subcircuit calls inserted by PSpice A/D.

In this example, the subcircuits named AtoD_STD and DtoA_STD are obtained from the I/O model that is referenced by the inverter primitive inside the subcircuit describing the 7404 part. The CAPACITANCE, DRVL (low-level driving resistance), and DRVH (high-level driving resistance) subcircuit parameter values come from the same I/O model.

After the interface subcircuit calls, PSpice A/D inserts one or more interface power supply subcircuits. The subcircuit name is specified in the I/O model for the digital primitive at the interface. In this example, PSpice A/D inserted DIGIFPWR, which is the power supply subcircuit used by all TTL models in the model library. DIGIFPWR creates the global nodes \$G_DPWR and \$G_DGND, which are the default nodes used by each TTL part.

PSpice User Guide
Mixed analog/digital simulation

Digital worst-case timing analysis

This chapter deals with worst-case timing analysis and includes the following sections:

- [Digital worst-case timing](#) on page 667
- [Starting digital worst-case timing analysis](#) on page 670
- [Simulator representation of timing ambiguity](#) on page 670
- [Propagation of timing ambiguity](#) on page 672
- [Identification of timing hazards](#) on page 673
- [Convergence hazard](#) on page 673
- [Critical hazard](#) on page 674
- [Cumulative ambiguity hazard](#) on page 675
- [Reconvergence hazard](#) on page 677
- [Glitch suppression due to inertial delay](#) on page 679
- [Methodology](#) on page 680

Note: This entire chapter describes features that are not included in PSpice.

Digital worst-case timing

Manufacturers of electronic components generally specify component parameters (such as propagation delays in the case of logic devices) as having tolerances. These are expressed as either an operating range, or as a spread around a typical operating point. The designer then has some indication of how much deviation from

typical one might expect for any of these particular component delay values.

Realizing that any two (or more) instances of a particular type of component may have propagation delay values anywhere within the published range, designers are faced with the problem of ensuring that their products are fully functional when they are built with combinations of components having delay specifications that fall (perhaps randomly) anywhere within this range.

Historically, this has been done by making simulation runs using minimum (MIN), typical (TYP), and maximum (MAX) delays, and verifying that the product design is functional at these extremes. But, while this is useful to some extent, it does not uncover circuit design problems that occur only with certain combinations of slow and fast parts. True digital worst-case simulation, as provided by PSpice A/D, does just that.

Other tools called timing verifiers are sometimes used in the design process to identify problems that are indigenous to circuit definition. They yield analyses that are inherently pattern-independent and often pessimistic in that they tend to find more problems than will truly exist. In fact, they do not consider the actual usage of the circuit under an applied stimulus.

PSpice A/D does not provide this type of static timing verification. Digital worst-case timing simulation, as provided by PSpice A/D, is a pattern-dependent mechanism that allows a designer to locate timing problems subject to the constraints of a specific applied stimulus.

Digital worst-case analysis compared to analog worst-case analysis

Digital worst-case timing simulation is different from analog worst-case analysis in several ways. Analog worst-case analysis is implemented as a sensitivity analysis for each parameter which has a tolerance, followed by a projected worst-case simulation with each parameter set to its minimum or maximum value. This type of analysis is general since any type of variation caused by any type of parameter tolerance can be studied. But it is time consuming since a separate simulation is required for each parameter. This does not always produce true worst-case results, since the algorithm assumes that the sensitivity is monotonic over the tolerance range.

PSpice User Guide

Digital worst-case timing analysis

The techniques used for digital worst-case timing simulation are not compatible with analog worst-case analysis. It is therefore not possible to do combined analog/digital worst-case analysis and simulation and get the correct results. PSpice A/D allows digital worst-case simulation of mixed-signal and all-digital circuits; any analog sections are simulated with nominal values.

Systems containing embedded analog-within-digital sections do not give accurate worst-case results; they may be optimistic or pessimistic. This is because analog simulation can not model a signal that will change voltage at an unknown point within some time interval.

Starting digital worst-case timing analysis

To set up a digital worst-case timing analysis:

1. In the Simulation Settings dialog box, click the Options tab.

See [Setting up analyses](#) on page 423 for a description of the Simulation Settings dialog box.
2. Select the General node in the Gate-level Simulation tree Structure of the Options tab.
3. In the Timing Mode frame, check Worst-case (min/max)
4. In the Initialize all flip-flops drop-down list, select X.
5. Set the Default I/O level for A/D interfaces to 1.
6. Click OK.
7. Start the simulation as described in [Starting a simulation](#) on page 439.

Simulator representation of timing ambiguity

PSpice A/D uses the five-valued state representation {0,1,R,F,X}, where R and F represent rising and falling transitions, respectively. Any R or F transitions can be thought of as ambiguity regions. Although the starting and final states are known (example: R is a 0 → 1 transition), the exact time of the transition is not known, except to say that it occurs somewhere within the *ambiguity region*. The ambiguity region is the time interval between the earliest and the latest time that a transition could occur.

Timing ambiguities propagate through digital devices via whatever paths are sensitized to the specific transitions involved. This is normal logic behavior. The delay values (MIN, TYP, or MAX) skew the propagation of such signals by whatever amount of propagation delay is associated with each primitive instance.

When worst-case (MIN/MAX) timing operation is selected, both the MIN and the MAX delay values are used to compute the duration of

the timing ambiguity result that represents a primitive's output change.

For example, consider the model of a BUF device in the following figure.

```
U5 BUF $G_DPWR $G_DGND IN1 OUT1 ; BUFFER model
+ T_BUF IO_STD

.MODEL T_BUF UGATE (                ; BUF timing model
+ TPLHMN=15ns TPLHTY=25ns TPLHMX=40ns
+ TPHLMN=12ns TPHLTY=20ns TPHLMX=35ns)
```

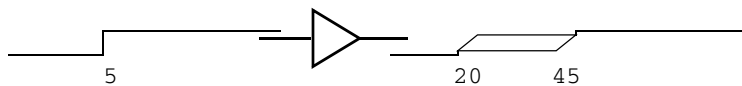


Figure 16-1 Timing ambiguity example one.

The application of the instantaneous 0-1 transition at 5nsec in this example produces a corresponding output result. Given the delay specifications in the timing model, the output edge occurs at a MIN of 15nsec later and a MAX of 40nsec later. The region of ambiguity for the output response is from 20 to 45nsec (from TPLHMN and TPLHMX values). Similar calculations apply to a 1-0 transition at the input, using TPHLMN and TPHLMX values.

Propagation of timing ambiguity

As signals propagate through the circuit, ambiguity is contributed by each primitive having a nonzero MIN/MAX delay spread. Consider the following example that uses the delay values of the previous BUF model.

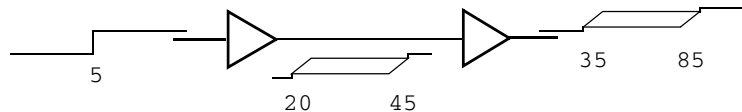


Figure 16-2 Timing ambiguity example two.

This accumulation of ambiguity may have adverse effects on proper circuit operation. In the following example, consider ambiguity on the data input to a flip-flop.

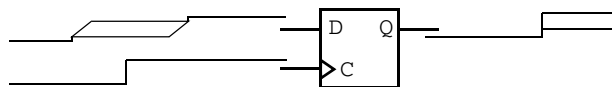


Figure 16-3 Timing ambiguity example three.

The simulator must predict an X output, because it is not known with any certainty when the data input actually made the 0-1 transition. If the cumulative ambiguity present in the data signal had been less, the 1 state would be latched up correctly.

Figure 16-4 illustrates the case of unambiguous data change (settled before the clock could transition) being latched up by a clock signal with some ambiguity. The Q output will change, but the time of its transition is a function of both the clock's ambiguity and that contributed by the flip-flop MIN/MAX delays.

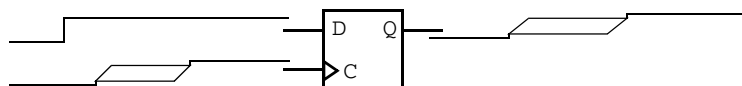


Figure 16-4 Timing ambiguity example four.

Identification of timing hazards

Timing hazard is the term applied to situations where the response of a device cannot be properly predicted because of uncertainty in the arrival times of signals applied to its inputs.

For example, Figure 16-5 below shows the following signal transitions (0-1, 1-0) being applied to the AND gate.

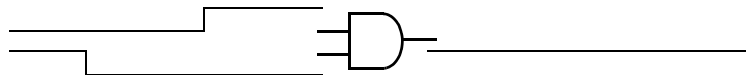


Figure 16-5 Timing hazard example.

The state of the output does not (and should not) change, since at no time do both input states qualify the gate, and the arrival times of the transitions are known.

Convergence hazard

In cases where there are ambiguities associated with the signal transitions 0-R-1 and 1-F-0—which have a certain amount of overlap—it is no longer certain which of the transitions happens first.

The output could pulse (0-1-0) at some point because the input states may qualify the gate. On the other hand, the output could remain stable at the 0 state. This is called a *convergence hazard* because the reason for the glitch occurrence is the convergence of the conflicting ambiguities at two primitive inputs.

Gate primitives (including LOGICEXP primitives) that are presented with simultaneous opposing R and F levels may produce a pulse of the form 0-R-0 or 1-F-1.

For example, a two-input AND gate with the inputs shown in Figure 16-6 below, produces the output shown.

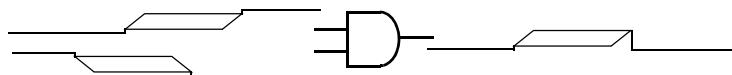


Figure 16-6 Convergence hazard example.

This output (0-R-0) should be interpreted as *a possible single pulse, no longer than the duration of the R level*.

Note: Other types of primitives, such as flip-flops, may produce an X instead of an R-0 or F-1 in response to a convergence hazard.

The actual device's output may or may not change, depending on the transition times of the inputs.

Critical hazard

It is important to note that the glitch predicted could propagate through the circuit and may cause incorrect operation. If the glitch from a timing hazard becomes latched up in an internal state (such as flip-flop or ram), or if it causes an incorrect state to be latched up, it is called a *critical hazard* because it definitely causes incorrect operation.

Otherwise, the hazard may pose no problem. Figure 16-7 below shows the same case as above, driving the data input to a latch.

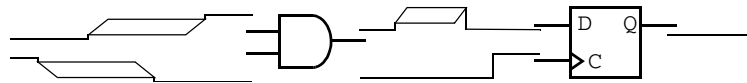


Figure 16-7 Critical hazard example.

As long as the glitch always occurs well before the leading edge of the clock input, it will not cause a problem.

Cumulative ambiguity hazard

In worst-case mode, simple signal propagation through the network will result in a buildup of ambiguity along the paths between synchronization points. See [Glitch suppression due to inertial delay](#) on page 679. The cumulative ambiguity is illustrated in Figure 16-8.

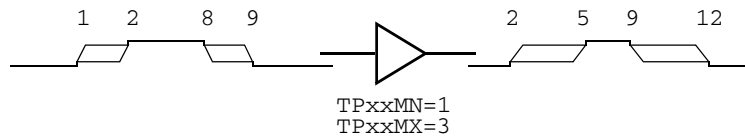


Figure 16-8 Cumulative ambiguity hazard example one.

The rising and falling transitions applied to the input of the buffer have a 1nsec ambiguity. The delay specifications of the buffer indicate that an additional 2nsec of ambiguity is added to each edge as they propagate through the device. Notice that the duration of the stable state 1 has diminished due to the accumulation of ambiguity.

Figure 16-9 shows the effects of additional cumulative ambiguity.

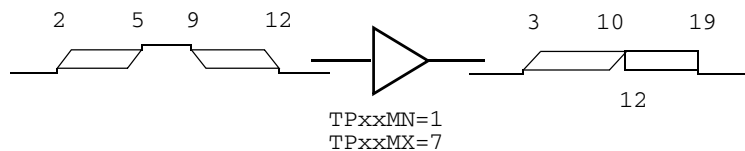


Figure 16-9 Cumulative ambiguity hazard example two.

The X result is predicted here because the ambiguity of the rising edge propagating through the device has increased to the point where it will overlap the later falling edge ambiguity. Specifically, the rising edge should occur between 3nsec and 12nsec; but, the subsequent falling edge applied to the input predicts that the output starts to fall at 10nsec. This situation is called a *cumulative ambiguity hazard*.

Another cause of cumulative ambiguity hazard involves circuits with asynchronous feedback. The simulation of such circuits under worst-case timing constraints yields an overly pessimistic result due

to the unbounded accumulation of ambiguity in the feedback path. A simple example of this effect is shown in Figure 16-10.

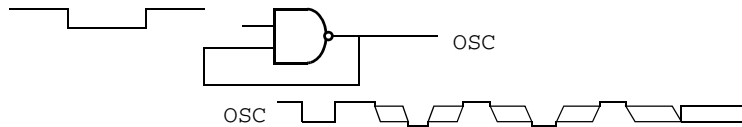


Figure 16-10 Cumulative ambiguity hazard example three.

Due to the accumulation of ambiguity in the loop, the output signal will eventually become X, because the ambiguities of the rising and falling edges overlap. However, in the hardware implementation of this circuit, a continuous phase shift with respect to absolute time is what will actually occur (assuming normal deviations of the rise and fall delays from the nominal values).

Note: If this signal were used to clock another circuit, it would become the reference and the effects of the phase shift could be ignored. You can do this by setting the NAND gate's model parameter, MNTYMXDLY=2 to utilize typical delay values for that one gate only (all other devices continue to operate in worst-case mode).

Reconvergence hazard

PSpice A/D recognizes situations where signals having a common origin reconverge on the inputs of a single device. In Figure 16-11, the relative timing relationship between the two paths (U2, U3) is important.

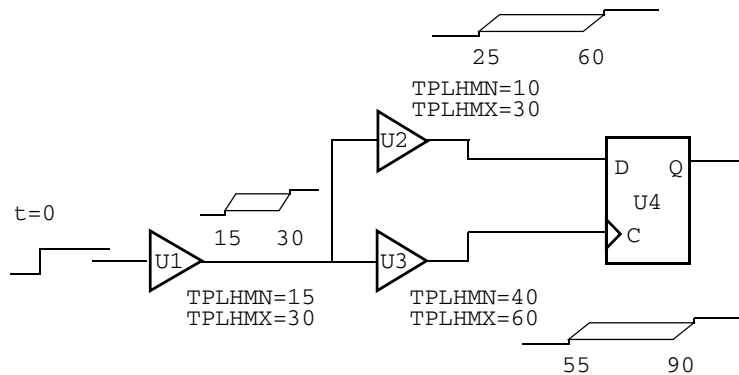


Figure 16-11 Reconvergence hazard example one.

Given the delay values shown, it is impossible for the clock to change before the data input, since the MAX delay of the U2 path is smaller than the MIN delay of the U3 path. In other words, the overlap of the two ambiguity regions could not actually occur.

PSpice A/D recognizes this type of situation and does not produce the overly pessimistic result of latching an X state into the Q-output of U4. This factors out the 15 nsec of common ambiguity attributed to U1 from the U2 and U3 signals (see Figure 16-12).

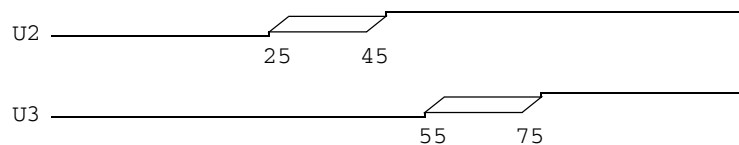


Figure 16-12 Reconvergence hazard example two.

The result in Figure 16-12 does not represent what is actually propagated at U2 and U3, but is a computation to determine that U2 must be stable at the earliest time U3 might change. This is why an X level should not be latched.

In the event that discounting the common ambiguity does not preclude latching the X (or, in the case of simple gates, predicting a glitch), the situation is called a *reconvergence hazard*. This is the same as a convergence hazard with the conflicting signal ambiguities having a common origin.

To use digital worst-case simulation effectively, find the areas of the circuit where signal timing is most critical and use constraint checkers where appropriate. These devices identify specific timing violations, taking into account the actual signal ambiguities (resulting from the elements' MIN/MAX delay characteristics). See the online *PSpice Reference Guide* for more information about digital primitives.

The most common areas of concern include:

- data/clock signal relationships
- clock pulse-widths
- bus arbitration timing

Signal ambiguities that converge (or reconverge) on wired nets or buses with multiple drivers may also produce hazards in a manner similar to the behavior of logic gates. In such cases, PSpice A/D factors out any common ambiguity before reporting the existence of a hazard condition.

The use of constraint checkers to validate signal behavior and interaction in these areas of your design identifies timing problems early in the design process. Otherwise, a timing-related failure is only identifiable when the circuit does not produce the expected simulation results. See [Methodology](#) on page 680 for information on digital worst-case timing simulation methodology.

Glitch suppression due to inertial delay

Signal propagation through digital primitives is performed by the simulator subject to constraints such as the primitive's function, delay parameter values, and the frequency of the applied stimulus. These constraints are applied both in the context of a normal, well-behaved stimulus, and a stimulus that represents timing hazards.

Timing hazards may not necessarily result in the prediction of an X or glitch output from a primitive; these are due to the delay characteristics of the primitive, which PSpice A/D models using the concept of inertial delay.

A device presented with a combination of rising and falling input transitions (assuming no other dominant inputs) produces a glitch due to the uncertainty of the arrival times of the transitions (see Figure 16-13).

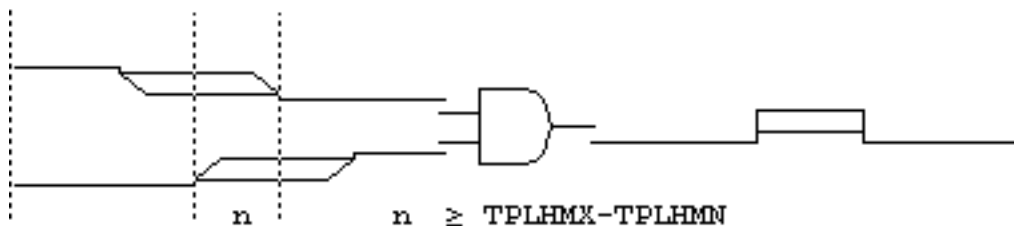


Figure 16-13 Glitch suppression example one.

However, when the duration of the conflicting input stimulus is less than the inertial delay of the device, the X result is automatically suppressed by the simulator because it would be overly pessimistic (see Figure 16-14).

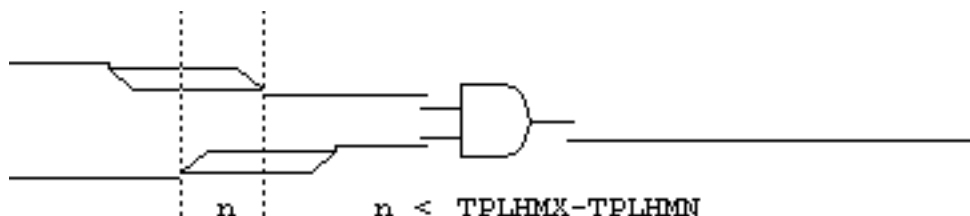


Figure 16-14 Glitch suppression example two.

In the analysis of reconvergent fanout cases (where common ambiguity is recognized), it is possible that conflicting signal ambiguities may still overlap at the inputs to a primitive, even after factoring out the commonality. In such cases, where the amount of overlap is less than the inertial delay of the device, the prediction of a glitch is also suppressed by the simulator (see Figure 16-15).

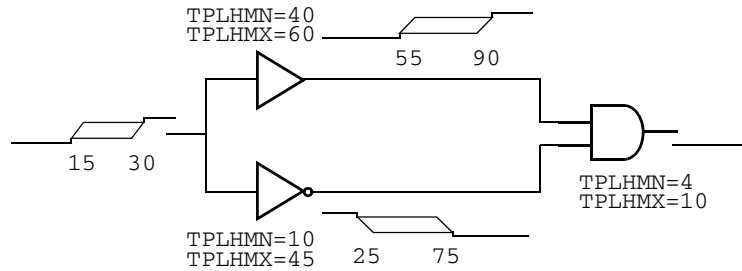


Figure 16-15 Glitch suppression example three.

In this case, factoring out the 15nsec common ambiguity still results in a 5nsec overlap of conflicting states. The glitch is suppressed, however, because 5nsec is less than $TPLHMX - TPLHMN$ (the computed inertial delay value of the AND gate, 6nsec).

Note: Glitch suppression can be overridden by setting the pulse-width rejection threshold parameter (TPWRT) in the device's I/O Model.

Methodology

Note: This is not intended to be a comprehensive discussion of the application of digital worst-case timing simulation in the design process. Rather, it is a suggested starting point for understanding the results of your simulation.

Combining component tolerances and the circuit design's functional response to a specific stimulus presents a challenge. You must make sure that all the finished circuits will operate properly. Well-designed systems have a high degree of immunity from the effects of varying combinations of individual component tolerances.

Digital worst-case timing simulation can help identify design problems, depending upon the nature of the stimulus applied to the design. You can use the simulation of signal propagation through the

PSpice User Guide

Digital worst-case timing analysis

network to observe the timing relationships among various devices and make adjustments to the design.

Digital worst-case timing simulation does not yield such results without an applied stimulus; it is not a static timing analysis tool. The level of confidence that you establish for your design's timing-dependent characteristics is directly a function of the applied stimulus.

Generally, the most productive way to define a stimulus is to use functional testing: a stimulus designed to operate the design in a normal manner, exercising all of the important features in combination with a practical set of data. For example, if you were designing a digital ADDER circuit, you would probably want to ensure that no timing race conditions existed in the carry logic.

Your timing simulation methodology should include these key steps:

- Accurate specification of device delay characteristics.
- Functional specification of circuit behavior, including all “don't care” states or conditions.
- A set of stimuli designed to verify the operation of all functions of the design.

One common design verification strategy is stepwise identification of the sections of the design that are to be exercised by particular subsets of the stimulus, followed by verification of the response against the functional specification.

Complete this phase using normal (not digital worst-case) simulation, with typical delays selected for the elements. The crucial metric here is the state response of the design. Note that (with rare exception) this response consists of defined states and does not include X's.

The second phase of design verification is to use digital worst-case simulation, reapplying the functionally correct stimulus, and comparing the resulting state response to that obtained during normal simulation. For example, in the case of a convergence or reconvergence hazard, look for conflicting rise/fall inputs. In the case of cumulative ambiguity, look for successive ambiguity regions merging within two edges forming a pulse. Investigate differences at primary observation points (such as circuit outputs and internal state

variables)—particularly those due to X states (such as critical hazards)—to determine their cause.

Starting at those points, use the waveform analyzer and the circuit schematic to trace back through the network. Continue until you find the reason for the hazard.

After you identify the appropriate paths and know the relative timing of the paths, you can do either of the following:

- Modify the stimulus (in the case of a simple convergence hazard) to rearrange the relative timing of the signals involved.

Note: Modifying the stimulus is not generally effective for reconvergent hazards, because the problem is between the source of the reconvergent fanout and the location of the hazard. In this case, discounting the common ambiguity did not preclude the hazard.

- Change one or both of the path delays to rearrange the relative timing, by adding or removing logic, or by substituting component types with components that have different delay characteristics.

In the case of the cumulative ambiguity hazard, the most likely solution is to shorten the path involved. You can do this in either of two ways:

- Add a synchronization point to the logic, such as a flip-flop—or gating the questionable signal with a clock (having well-controlled ambiguity)—before its ambiguity can grow to unmanageable duration.
- Substitute faster components in the path, so that the buildup of ambiguity happens more slowly.

PSpice User Guide

Part four: Viewing results

Part four describes the ways to view simulation results.

- [Chapter 17, “Analyzing waveforms.”](#) describes how to perform graphical waveform analysis of simulation results.
- [Chapter 18, “Measurement expressions.”](#) describes how to put together measurement expressions using the measurement definitions included with PSpice. The *Power Users* section includes instructions on how to compose your own measurement definitions.
- [Chapter 19, “Other output options.”](#) describes the special symbols you can place on your schematic to generate additional information to the PSpice output file, PSpice window, and to digital test vector files.

Analyzing waveforms

Chapter overview

This chapter describes how to perform graphical waveform analysis of simulation results in PSpice¹. This chapter includes the following:

- [Overview of waveform analysis](#) on page 686
- [Setting up waveform analysis](#) on page 691
- [Viewing waveforms](#) on page 697
- [Viewing large data files](#) on page 725
- [Using simulation data from multiple files](#) on page 733
- [Analog example](#) on page 740
- [Mixed analog/digital tutorial](#) on page 744
- [User interface features for waveform analysis](#) on page 750
- [Tracking digital simulation messages](#) on page 765
- [Trace expressions](#) on page 768

1. Depending on the license available, you will access either PSpice or PSpice Simulator.

Overview of waveform analysis

You can use the waveform analysis features of PSpice to visually analyze and interactively manipulate the waveforms generated from the simulation data.

PSpice uses high-resolution graphics so you can view the results of a simulation both on the screen and in printed form. On the screen, waveforms appear as plots displayed in Probe windows within the PSpice workspace.

In effect, waveform analysis is a software oscilloscope. Performing a PSpice simulation corresponds to building or changing a breadboard, and performing waveform analysis corresponds to looking at the breadboard with an oscilloscope.

With waveform analysis you can:

- View simulation results in multiple Probe windows
- Compare simulation results from multiple circuit designs in a single Probe window
- Display simple voltages, currents, and noise data
- Display complex arithmetic expressions that use the basic measurements
- Display Fourier transforms of voltages and currents, or of arithmetic expressions involving voltages and currents
- For mixed analog/digital simulations, display analog and digital waveforms simultaneously with a common time base
- Add text labels and other annotation symbols for clarification

PSpice generates two forms of output: the simulation output file and the waveform data file. The calculations and results reported in the simulation output file act as an audit trail of the simulation. However, the graphical analysis of information in the waveform data file is the most informative and flexible method for evaluating simulation results.

Elements of a plot

A single plot consists of the analog (lower) area and the digital (upper) area.

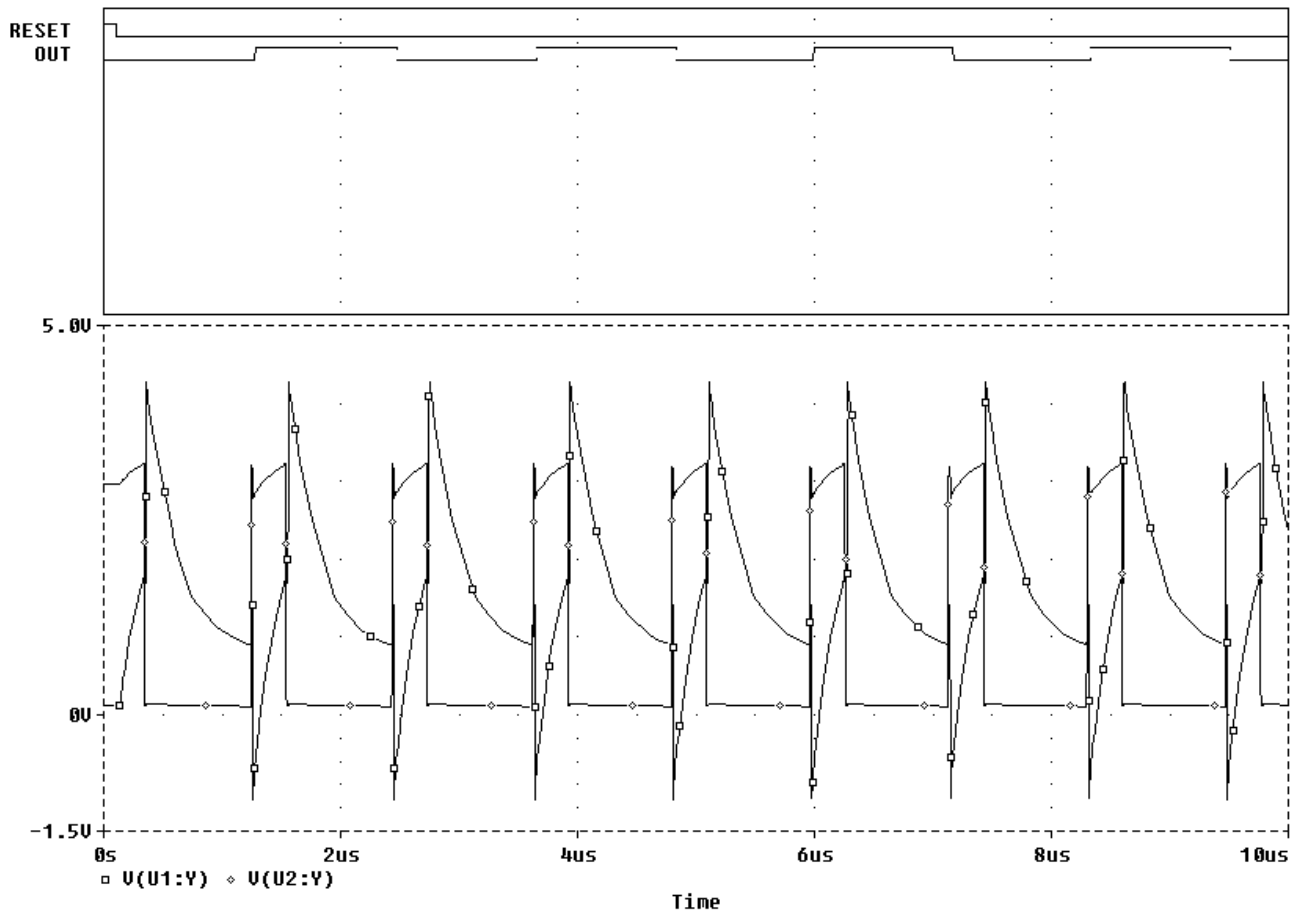


Figure 17-1 Analog and digital areas of a plot.

You can display multiple plots simultaneously. If you display only analog waveforms, the entire plot will be an analog area. Likewise, if you display only digital waveforms, the entire plot will be a digital area.

Elements of a Probe window

A Probe window is a separately managed waveform display area. A Probe window can include multiple analog and digital plots. Figure 17-2 shows two plots displayed together.

Because a Probe window is a window object, you can minimize and maximize windows, or move and scale the windows, within the PSpice workspace. The toolbar in the Probe window applies to the active window.



Tip

From the View menu, choose Toolbar to display or hide the toolbar.

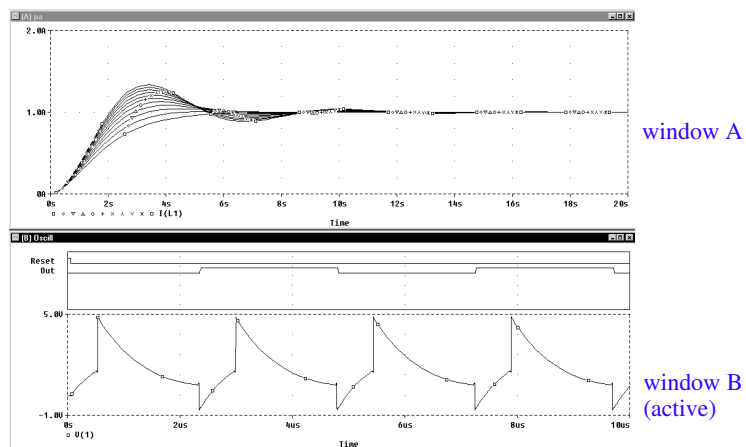


Figure 17-2 Two Probe windows.

You can display information from one or more waveform data files in one Probe window. After the first file is loaded, you can load other files into the same Probe window by appending them in PSpice (using the Append Waveform command under the File menu).

Managing multiple Probe windows

You can open any number of Probe windows. Each Probe window is a tab on the worksheet displayed in the middle of the workspace.

The same waveform data file can be displayed in more than one Probe window. You can tile the windows to compare data.

Only one Probe window is active at any given time. It is identified by a highlighted title bar or a topmost tab. Menu, keyboard, and mouse operations affect only the active Probe window. You can switch to another Probe window by clicking another tab or title bar.

Printing multiple windows

You can print all or selected Probe windows, with up to nine windows on a single page. When you choose Print from the File menu, a list of all open Probe windows appears. Each Probe window is identified by the unique identifier in parentheses in its title bar.

The arrangement of Probe windows on the page can be customized using the Page Setup dialog box. You can print in either portrait (vertical) or landscape (horizontal) orientation. You can also use Print Preview to view all of the Probe windows as they will appear when printed.

Toggling between display modes

You can choose from two different display modes in PSpice: default and alternate.

The default display mode in PSpice includes the main Probe window, plus the output window and the simulation status window. This provides all possible information about the simulation run and contains all of the toolbars and settings.

The alternate display mode shows only the Probe window with any waveforms that have been plotted. This mode gives you only the plots you are interested in seeing without the additional simulation data normally provided by PSpice. By default, the alternate display mode is set to be visible at all times.

The toolbar and window settings are saved for each mode. Any changes you make in the settings will become the new default the next time you choose that display mode.

The alternate display mode can be very handy when you want to see the waveforms superimposed on the schematic diagram for easy debugging and testing of the circuit. You can customize the alternate display mode to view various toolbars or other PSpice windows, according to your own preferences.

To toggle between the standard and the alternate display modes

1. From the View menu, choose Alternate Display or click the Alternate Display toolbar button.

Keeping the Probe window visible at all times

Like any other application running under Windows, the PSpice window will remain in the forefront of the desktop only as long as it is the active window. In order to keep the PSpice window visible at all times, you can use the push pin feature.

By keeping the Probe window on top of other active windows, you can easily view the schematic page at the same time you see the corresponding waveform for that circuit. This allows you to cross-probe quickly and easily without having to activate the Probe window each time.

Note: The push pin button is a toggle: clicking on it when it is enabled will disable the “on top” function.

To make the Probe window visible at all times

1. Click the push pin button in the toolbar.

Setting up waveform analysis

Setting up colors

You can configure Probe display and print colors in:

- The Probe Options dialog box
- The configuration file, `PSPICE.INI`

For information on how to use the available colors and color order in a Probe window, see [Configuring trace color schemes](#) on page 694.

Editing display and print colors in the Options dialog box

1. Choose *Tools - Options* to open the Probe Settings dialog box
2. Click the *Color Settings* tab.
3. Select a background color from the *Background* list.
4. Select a foreground color for the graph lines and texts from the *Foreground* list.
5. Select the colors from the Available Colors list and click *Add* to add them to the Trace Colors list.
6. Select a color in the *Trace Colors* list
 - a. click *Up* or *Down* to specify the order of the color.
 - b. Click *Remove* to remove a color from the *Trace Colors* list.

The colors will be applied to traces in the sequence they are displayed.

Note: You must restart PSpice for the trace color changes.

Editing display and print colors in the PSPICE.INI file

In the file, you can control the following print and display color settings for Probe windows:

- The colors used to display traces

PSpice User Guide

Analyzing waveforms

- The colors used for the Probe window foreground and background
- The order colors are used to display traces
- The number of colors used to display traces

To edit display and print colors in the PSPICE.INI file

Note: After editing `PSPICE.INI`, you must restart PSpice before your changes will take effect.

1. In a standard text editor (such as Notepad), open `PSPICE.INI`. (This file should be located in the `\tools\PSpice` directory under the main OrCAD program installation.)
2. Scroll to the `[PROBE DISPLAY COLORS]` or `[PROBE PRINTER COLORS]` section of the file.
3. Add or modify a color entry. See [Table 17-1](#) on page 693 for a description of color entries and their default values. Colors for all items are specified as `<item name>=<color>`.

The item names and what they represent are listed in [Table 17-1](#) on page 693. Valid item names include:

- BACKGROUND
- FOREGROUND
- TRACE_1 through TRACE_12

Here are the color names you can specify:

black	blue
brightblue	brightcyan
brightgreen	brightmagenta
brightred	brightwhite
brightyellow	brown
cyan	darkblue
darkcyan	darkgray

PSpice User Guide

Analyzing waveforms

black	blue
darkgreen	darkmagenta
darkpink	darkred
green	lightblue
lightgray	lightgreen
magenta	mustard
orange	pink
purple	red
white	yellow

4. If you added or deleted trace number entries, set NUMTRACECOLORS=n to the new number of traces, where n is between 1 and 12. This item represents the number of trace colors displayed on the screen or printed before the color order repeats.
5. Save the file.

Table 17-1 Default waveform viewing colors.

Item Name	Description	Default
BACKGROUND	specifies the color of window background	BLACK
FOREGROUND	specifies the default color for items not explicitly specified	WHITE
TRACE_1	specifies the first color used for trace display	BRIGHTGREEN
TRACE_2	specifies the second color used for trace display	BRIGHTRED
TRACE_3	specifies the third color used for trace display	BRIGHTBLUE

Table 17-1 Default waveform viewing colors.

Item Name	Description	Default
TRACE_4	specifies the fourth color used for trace display	BRIGHTYELLOW
TRACE_5	specifies the fifth color used for trace display	BRIGHTMAGENT A
TRACE_6	specifies the sixth color used for trace display	BRIGHTCYAN

Note: When you want to copy Probe plots to the clipboard and then paste them into a black and white document, choose the Change All Colors to Black option under Foreground in the Copy to Clipboard–Color Filter dialog box (from the Window menu, choose Copy to Clipboard).

Configuring trace color schemes

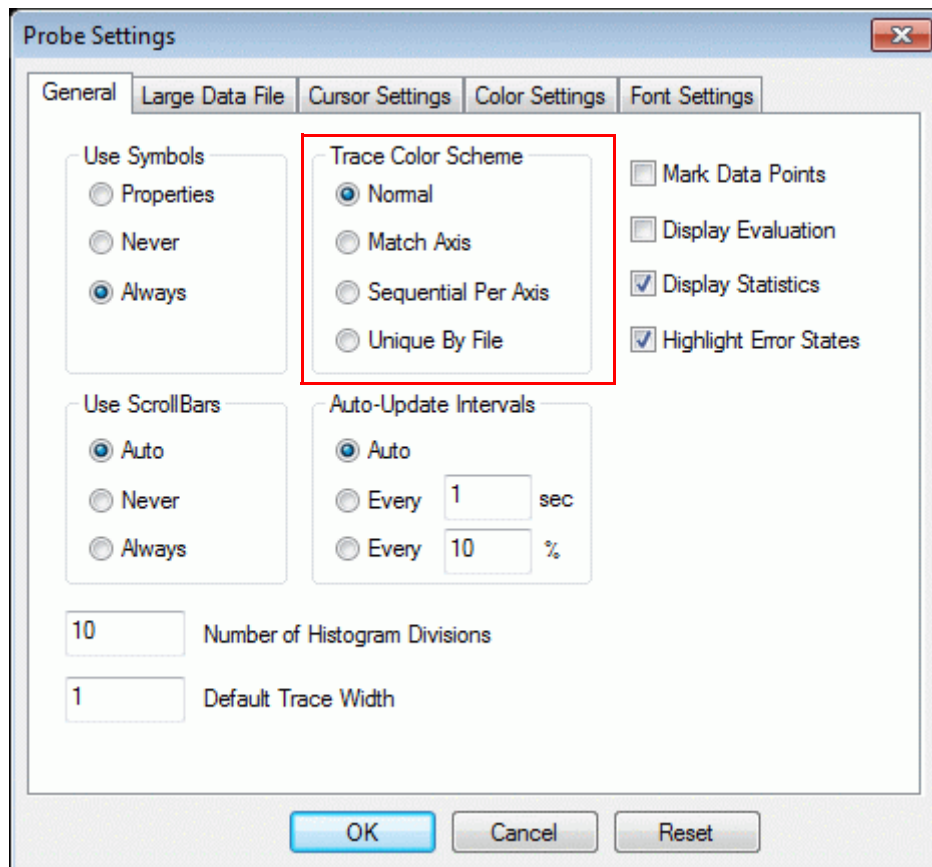
In the Probe Options dialog box, you can set options for how the available colors and the color order specified in the `PSPICE.INI` file are used to display the traces in a Probe window. You can use:

- a different color for each trace
- the same color for all the traces that belong to the same y-axis
- the available colors in sequence for each y-axis
- the same color for all the traces that belong to the same waveform data file

For information on what the default available colors and color order are and how to change them, see [Editing display and print colors in the PSPICE.INI file](#) on page 691.

To configure trace color schemes in the Probe Options dialog box

1. From the Tools menu, choose Options to display the Probe Options dialog box.



2. Under Trace Color Scheme, choose one of the following options:

Table 17-2

Choose this option... To do this...

Normal	Use a different color for each trace (for up to 12 traces, depending on the number of colors set in the PSPICE.INI file).
--------	---

Table 17-2

Choose this option...	To do this...
Match Axis	Use the same color for all the traces that belong to the same y-axis. The title of the axis (by default, 1, 2, etc.) is the same color as its traces.
Sequential Per Axis	Use the available colors in sequence for each y-axis.
Unique by File	Use the same color for all the traces in one Probe window that belong to the same waveform data file.

3. Click OK.

PSpice saves the selected color scheme for future waveform analyses.

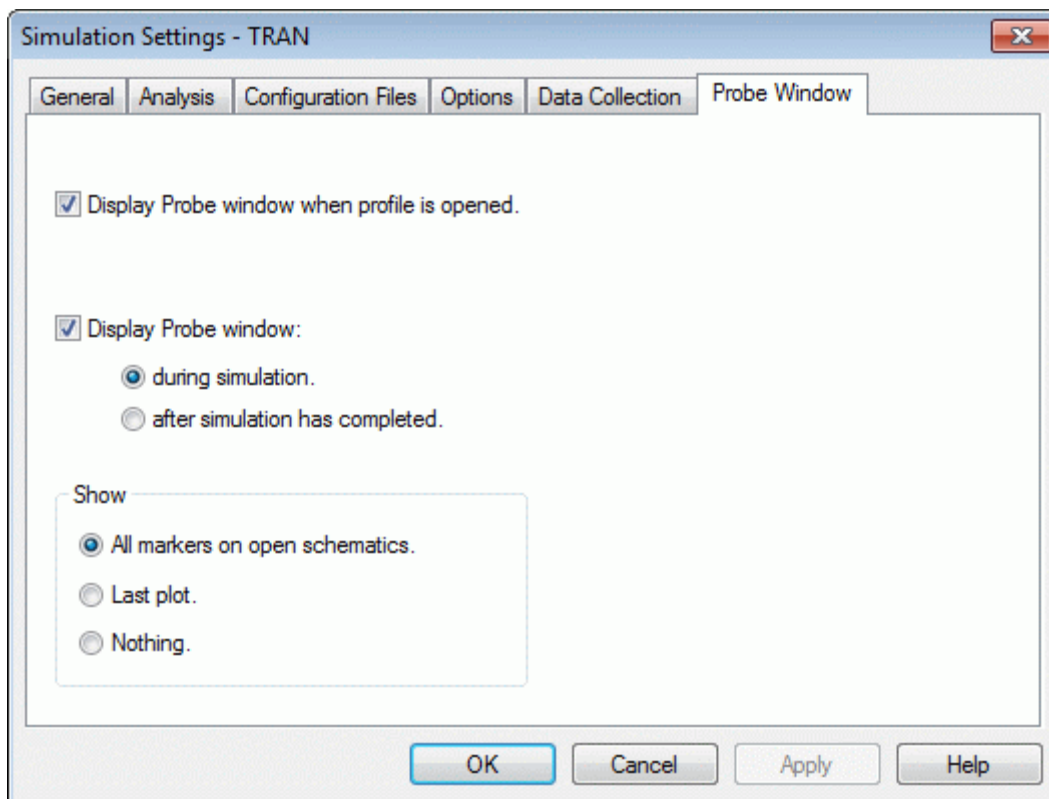
Viewing waveforms

If you are using one of the design entry tools, Capture or Design Entry HDL, you can either view waveforms automatically after you run a simulation, or you can monitor the progress of the simulation as it is running.

You do not need to exit PSpice if you are finished examining the simulation results for one circuit and want to begin a new simulation from within the design entry tool. However, PSpice unloads the old waveform data file for a circuit each time that you run a new simulation of the circuit. After the simulation is complete, the new or updated waveform data file is loaded for viewing.

Setting up waveform display from design entry tools

You can configure the way you want to view the waveforms in PSpice by defining display settings in the Probe Window tab in the Simulation Settings dialog box.



PSpice User Guide

Analyzing waveforms

The display settings in the Probe Window tab are explained in the following table.

Table 17-3

This setting...	Enables this type of waveform display...
Display Probe window when profile is opened.	Waveforms are displayed only when a .DAT file is opened from within PSpice.
Display Probe window... during simulation.	Waveforms are displayed as the simulation progresses (“marching waveforms”). Note: For digital data, marching waveforms are not supported.
Display Probe window... after simulation has completed.	Waveforms are displayed only after the full simulation has completed and all data has been calculated.
Show... All markers on open schematics.	Waveforms are displayed for those nets that have markers attached in the schematic.
Show... Last plot.	Waveforms are displayed according to the last display configuration that was used in the Probe window.
Show... Nothing.	No waveforms are displayed.

Viewing waveforms while simulating

While a simulation is in progress, you can monitor the results for the data section being written by PSpice. This function is only available when the Display Probe window during simulation option is enabled in the Probe Window tab of the Simulation Settings dialog box.

To monitor results during a simulation

1. From the design entry tool's PSpice menu, choose Edit Simulation Profile to display the Simulation Settings dialog box.
2. Click the Probe Window tab.
3. Select Display Probe window and then click during simulation.
4. Click OK to close the Simulation Settings dialog box.
5. From the PSpice menu, choose Run to start the simulation.

One Probe window is displayed in monitor mode.

Note: If you open a new Probe window (from the Window menu, choose New Window) while monitoring the data, the new window also starts in monitor mode because it is associated with the same waveform data file.

Note: During a multi-run simulation (such as Monte Carlo, parametric, or temperature), PSpice displays only the data for the most recent run in the Probe window.

6. Do one of the following to select the waveforms to be monitored:
 - From PSpice's Trace menu, choose Add, and enter one or more trace expressions.
 - From Capture's PSpice menu, point to Markers, then choose and place one or more markers. Similarly, from Design Entry HDL's PSpice Simulator menu point to Probes and choose and place one or more probes.

For more information, see [Using schematic page markers to add traces](#) on page 702.

The Probe window monitors the waveforms for as long as the most recent data section is being written. After that data section is finished, the window changes to manual mode. To see the full set of runs, you must update the display by using the Add Trace command under the Trace menu.

Configuring update intervals

You can define the frequency at which PSpice updates the waveform display as follows:

PSpice User Guide

Analyzing waveforms

- At fixed time intervals (every n sec)
- According to the percentage of simulation completed (every n %), where n is user-defined

The default setting (Auto) updates traces each time PSpice gets new data from a simulation.

To change the update interval

1. From the Tools menu, choose Options.
2. In the Auto-Update Interval frame, choose the interval type (sec or %), then type the interval in the text box.

Interacting with waveform analysis during simulation

The functions that change the x-axis domain (that set a new x-axis variable) can not be accessed while the simulation is running. If you have enabled the display of waveforms during simulation and wish to reconfigure the x-axis settings (as explained below), you must wait until the simulation run has finished.

The following table shows how to enable the functions that change the x-axis domain.

Table 17-4



Enable this function...	By doing this...
Fast Fourier transforms 	<ol style="list-style-type: none">1. From the Plot menu, choose Axis Settings.2. In the Processing Options frame, select Fourier.
Performance analysis 	<ol style="list-style-type: none">1. From the Plot menu, choose Axis Settings.2. In the Processing Options frame, select Performance Analysis.

Table 17-4

Enable this function...	By doing this...
New x-axis variable	<ol style="list-style-type: none">1. From the Plot menu, choose Axis Settings, then click the X Axis tab.2. Click the Axis Variable button.3. In the X Axis Variable dialog box, specify a new x-axis variable.
Measurement evaluation	<ol style="list-style-type: none">1. From the Trace menu, select Evaluate Measurement.2. In the Evaluate Measurement dialog box, specify a measurement.
Load a completed data section	<ol style="list-style-type: none">1. From the File menu, choose Append Waveform (.DAT).2. Select a .DAT file to append.

Pausing a simulation and viewing waveforms

You can pause a simulation to analyze waveforms before the simulation is finished. After you pause the simulation, you can either resume the simulation or end it.

To pause a simulation

1. From PSpice's Simulation menu, choose Pause.
2. In the Probe window, view the waveforms generated before you paused the simulation.
3. Do one of the following:
 - From the Simulation menu, choose Run to resume the simulation.
 - From the Simulation menu, choose Stop to stop the simulation.

Using schematic page markers to add traces

You can place markers on a schematic page to identify the nodes for which you want waveforms displayed in Probe. See [Trace expressions](#) on page 768 for ways to add traces within PSpice.

You can place markers:

- Before simulation, to limit results written to the waveform data file and automatically display those traces in PSpice.
- During or after simulation, with PSpice A/D running, to automatically display traces in the active Probe window.

After simulation, the color of the marker you place is the same as its corresponding waveform analysis trace. If you change the color of the trace, the color of the marker on the schematic page changes accordingly.

The Markers submenu also provides options for controlling the display of marked results in PSpice, after initial marker placement, and during or after simulation.

Power markers allow you to measure the power dissipation of a particular device. You can use these markers in the same way you use current and voltage markers. Power markers are annotated with “W” and are placed on devices that have PSpice models. The corresponding power dissipation waveforms for the devices will be calculated and displayed in Probe.

Place markers on subcircuit nodes. This allows you to perform cross-probing between the front-end design entry tool and PSpice at the lower level circuits of a hierarchical design.

To place markers on a schematic page



1. From Capture’s PSpice menu, point to Markers, then choose the marker type you want to place. Similarly, from Design Entry HDL’s PSpice Simulator menu, point to Probes, then choose the

PSpice User Guide

Analyzing waveforms

probe type you want to place (Some of the markers are from the Advanced submenu.)

Table 17-5

Waveform	Markers/Probes menu command	Advanced submenu command
voltage 	Voltage Level	not required
voltage differential	Voltage Differential	not required
current 	Current Into Pin	not required
digital signal	Voltage Level	not required
dB ¹	Advanced	db Magnitude of Voltage db Magnitude of Current
phase ¹	Advanced	Phase of Voltage Phase of Current
group delay ¹	Advanced	Group Delay of Voltage Group Delay of Current
real ¹	Advanced	Real Part of Voltage Real Part of Current
imaginary ¹	Advanced	Imaginary Part of Voltage Imaginary Part of Current
power	Power Dissipation	not required

1. You can use these markers instead of the built-in functions provided in output variable expressions (see [Table 17-18](#) on page 779). However, these markers are only available after defining a simulation profile for an AC Sweep/Noise analysis.

PSpice User Guide

Analyzing waveforms

2. Point to the wires or pins you wish to mark and click to place the chosen markers.
3. Right-click and select End Mode to stop placing markers.
4. If you have not simulated the circuit yet, from the PSpice menu, choose Run.

After simulation, the color of the marker is the same as its corresponding waveform analysis trace. If you change the color of the trace, the color of the marker changes accordingly.

To hide or delete marked results

1. From Capture's PSpice menu, point to Markers, then choose one of the following:

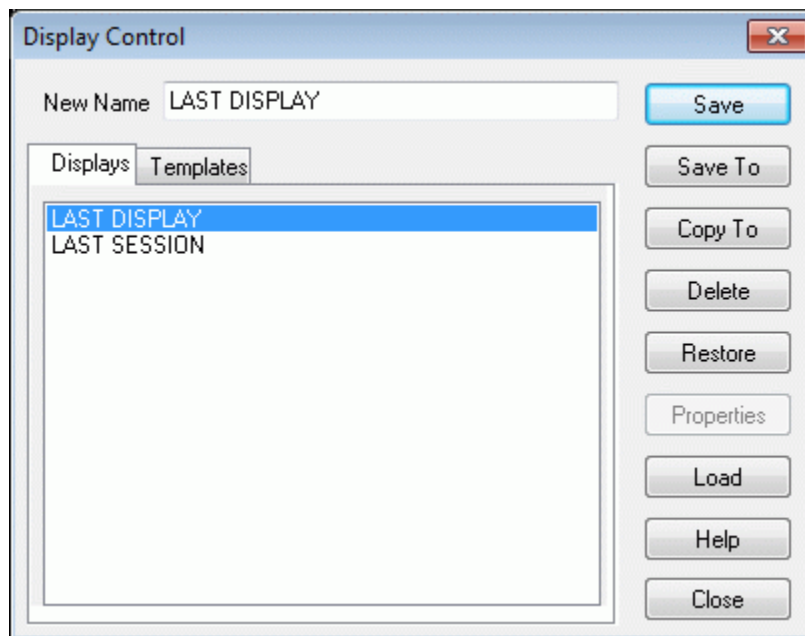
Table 17-6

Choose this option...	To do this...
Hide All	Hide traces in the waveform analysis display for all markers placed on any page or level of the schematic.
Delete All	Remove all markers from the schematic and all corresponding traces from the waveform analysis display.

Using display control

You can create displays to save the contents of a Probe window. You can view a display again at a later time with a different simulation so long as the new simulation has identically named variables.

Once the display is saved, you can copy it, edit it, and delete it.



To save a display

1. Set up the plots, traces, labels, and axes in the Probe window you want to save.
2. From the Window menu, choose Display Control.
The Display Control dialog box appears.
3. Click on the Displays tab.
4. In the New Name text box, type a name for the display.
5. Do one of the following:
 - To save the display in the current .PRB file, click Save.
 - To save the display in another .PRB file, click Save To. Specify the name and location of the file. Click OK.

6. Click Close.

To copy a display

1. From the Window menu, choose Display Control.
The Display Control dialog box appears.
2. Click on the Displays tab.
3. Click the name of the display to copy.
4. Click Copy To.
5. Specify the name and location of the copied display.
6. Click OK.
7. Click Close.

To delete a display

1. From the Window menu, choose Display Control.
The Display Control dialog box appears.
2. Click on the Displays tab.
3. Do one of the following:
 - To delete a display from the current .PRB file, click the name, then click Delete.
 - To delete a display from a global or remote .PRB file, click Delete From, then select the .PRB file.
4. Click Close.

To use a saved display

1. From the Window menu, choose Display Control.
The Display Control dialog box appears.
2. Click on the Displays tab.
3. Do one of the following:

PSpice User Guide

Analyzing waveforms

- ❑ To use a display listed here, click the name.
- ❑ To use a display from another .PRB, click Load. Select the file. Click OK. Click the name of the display.

4. Click Restore.

Note: You can use a saved display to display traces as long as the current data file has variables with the same names as the variables in the display file.

To load displays from another .PRB file

1. From the Window menu, choose Display Control.

The Display Control dialog box appears.

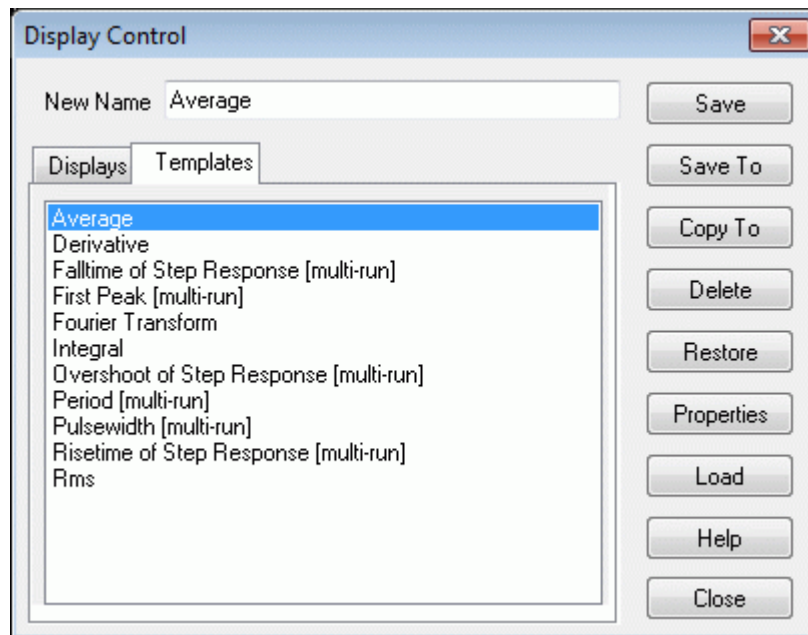
2. Click on the Displays tab.
3. Click Load.
4. Select the file.
5. Click OK.

Using plot window templates

PSpice provides plot window templates that allow you to create and reuse custom displays in Probe using defined arguments. A plot window template is a plot window consisting of one or more arguments used to represent node voltage, pin current, power or digital names within a display. An argument provides the means to replace a fixed node voltage or pin current name with a node voltage or pin current name you choose.

You can create unique plot window templates for a particular design or general templates that can be applied to various designs. A set of some of the more commonly used templates are predefined and included with PSpice.

To work with plot window templates, from the Window menu, choose Display Control, and click the Templates tab. Here you can customize plot window templates in various ways.



Creating a plot window template

In order to create and save a new plot window template, you must first set up the active plot window in Probe with the configuration you

PSpice User Guide

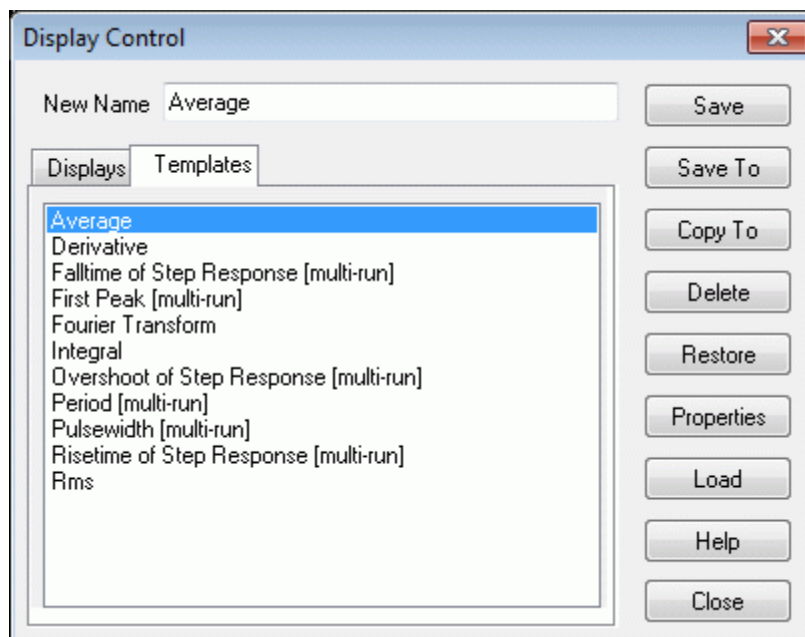
Analyzing waveforms

want. The active plot window will be the basis for the template properties you save.

Note: A plot window template that is saved to a simulation profile that you define cannot be used with markers in OrCAD Capture. The list of plot window templates displayed in PSpice includes user-defined templates, but the list in OrCAD Capture does not show these. To view user-defined templates in OrCAD Capture, you must copy the templates to either the local or global .PRB file.

To create a new plot window template

1. In PSpice, from the Window menu, choose Display Control.
2. Click the Templates tab.

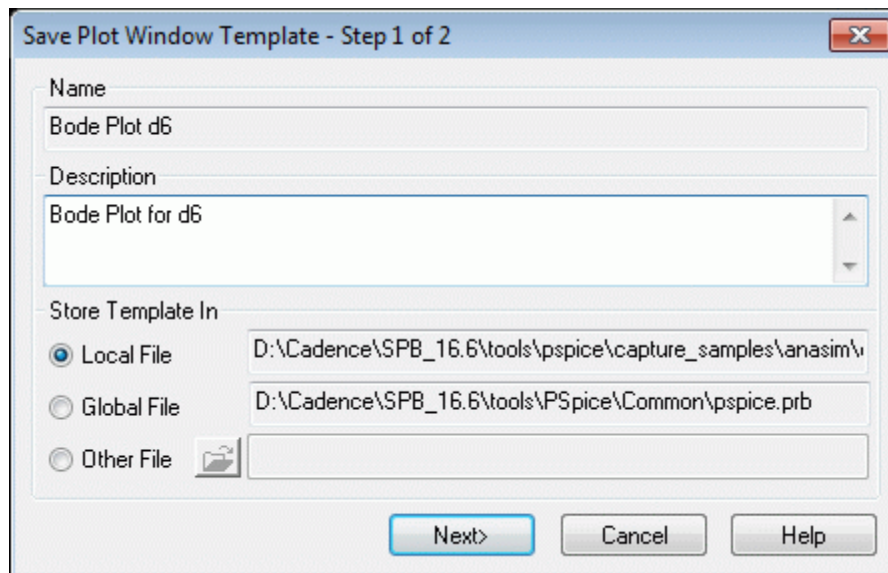


3. In the New Name text box, enter the name for the new template you want to create.
4. Click Save or Save To.

PSpice User Guide

Analyzing waveforms

The Save Plot Window Template – Step 1 of 2 dialog box appears.

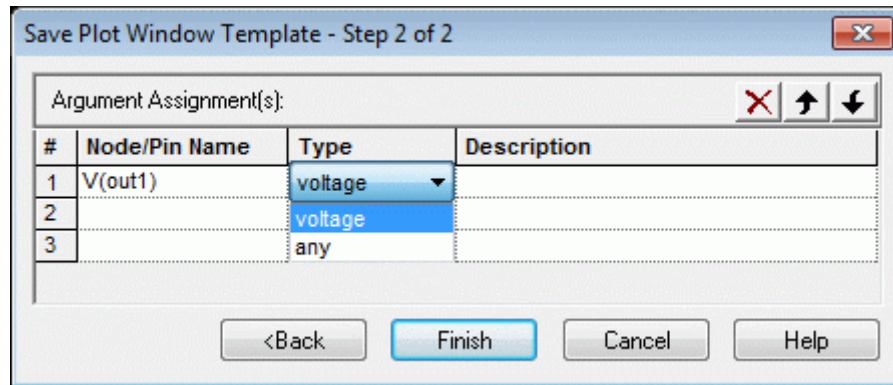


5. In the Description text box, type in a description for the template, if you would like one. (This is optional.)
6. If you clicked Save To, choose the .PRB file you wish to save the template to by selecting the appropriate radio button under the Save Template In frame. (The default is the local .PRB file. For the Save function, the Local File is the only option.)
 - Local File – the .PRB file for the current simulation in PSpice.
 - Global File – the .PRB file to be used globally for all Probe displays.
 - Other File – another .PRB file stored elsewhere on your hard disk or network drive. Use the Browse button to locate the file on a particular drive.
7. Click the Next> button.

PSpice User Guide

Analyzing waveforms

The Save Plot Window Template – Step 2 of 2 dialog box appears. The number of Node/Pin Name arguments that are listed here is determined by the current display.



8. Define the association of each argument by selecting the node or pin name from the drop-down list under the column Node/Pin Name.

This drop-down list shows all of the available node voltage, pin current, power or digital names. If the drop-down list does not appear, click in the text box to activate the drop-down button.

9. For each argument, set the Type of argument to be used by selecting the argument name from the drop-down list under the column Type.

This drop-down list shows all of the available argument types (any, current, power, voltage). If the drop-down list does not appear, click in the text box to activate the drop-down button.

10. For each argument, under the Description column, type in a description for the argument, if you would like one. (This is optional.)

The description you enter here will be displayed in the status line of Capture when placing a marker associated with the argument.

11. If desired, change the order of the arguments by using the Arrow buttons to move an argument up or down in the listing. Or, you can delete an argument by selecting it and clicking the Delete button.

12. Click Finish.

PSpice User Guide

Analyzing waveforms

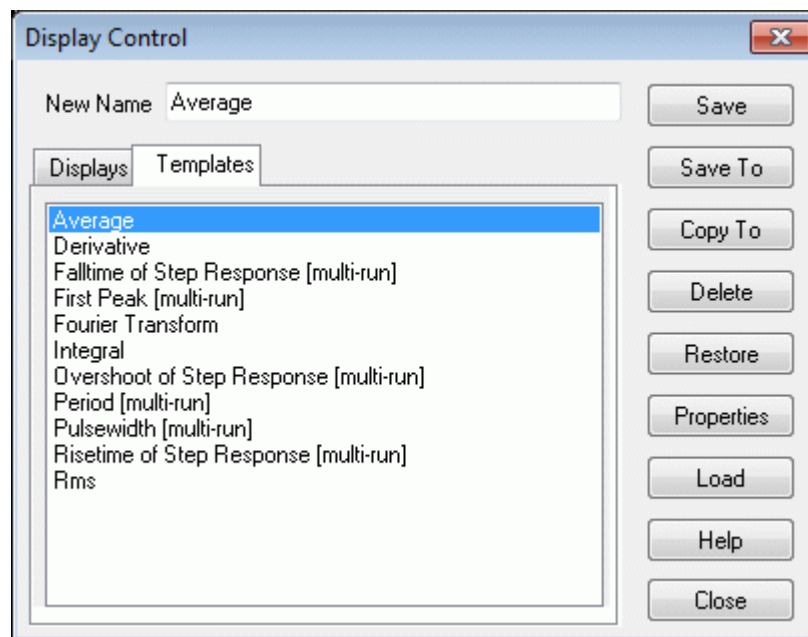
Note: At least one argument is required to create a plot window template. The maximum number of arguments allowed is the number of unique node voltage, pin current, power or digital names in the active display.

Modifying a plot window template

Modifying a plot window template is essentially the same as creating a new template. In order to modify a plot window template, that particular template must be the active plot window in Probe. If the active display is not the template you want to modify, use the Restore button to make a different template the active display in Probe

To modify a plot window template

1. From the Window menu, choose Display Control.
2. Click the Templates tab.

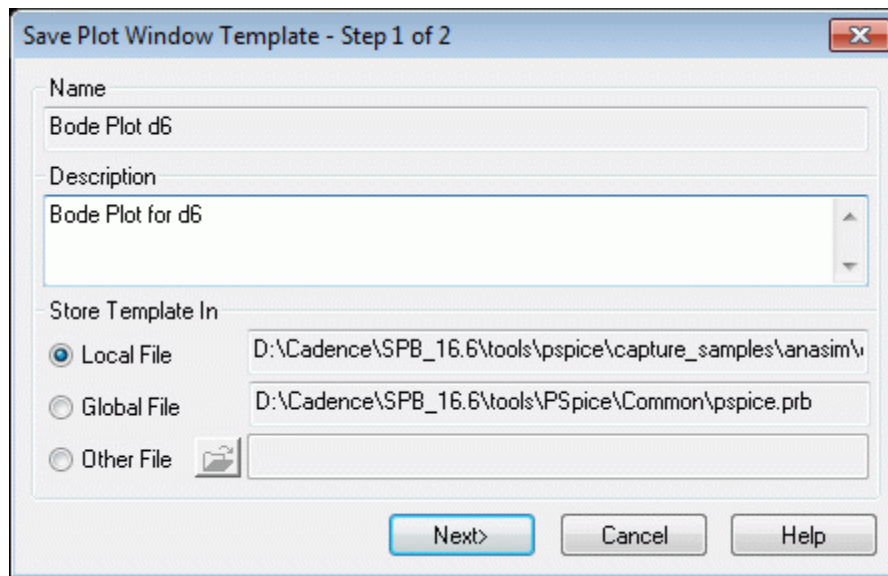


3. Select the template you want to modify by clicking on its name in the list of loaded templates. If the template you are looking for is not in the list, use the Restore button to make it the active display.

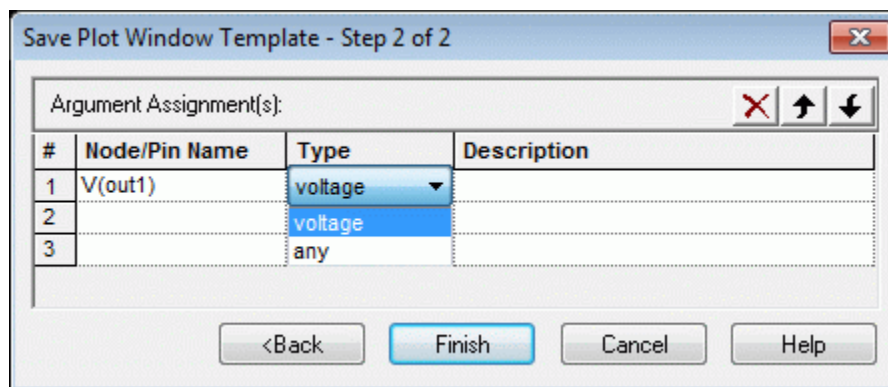
PSpice User Guide

Analyzing waveforms

- Click the Save button to display the Save Plot Window Template – Step 1 of 2 dialog box.



- Make the desired changes, then click Next to display the Save Plot Window Template – Step 2 of 2 dialog box.



- Make the desired changes, then click Finish.

The modifications will be saved and the display will be updated automatically.

Note: If an argument assignment no longer applies because the node voltage, pin current, power or digital names are mapped to an argument that has changed, then information regarding that argument will not be available in the Step 2 of 2 dialog box.

Deleting a plot window template

You can easily delete a plot window template from the list of loaded templates. This does not erase the template from your system. It only removes it from the list of templates you can access and erases it from the .PRB file.

To delete a plot window template

1. From the Window menu, choose Display Control.
2. Click the Templates tab.
3. Click on the name of the plot window template you want to delete.
4. Click Delete.

Copying a plot window template

You can copy a plot window template into another .PRB file to make it available for use later with that file.

To copy a plot window template

1. From the Window menu, choose Display Control.
2. Click the Templates tab.
3. Click on the name of the plot window template you want to copy.
4. Click Copy To.

The Probe File for Save Template dialog box appears.

5. Choose the .PRB file you wish to save the template to by selecting the appropriate radio button under the Save Template In frame. (The default is the local .PRB file.)
 - Local File – the .PRB file for the current simulation in PSpice.
 - Global File – the .PRB file to be used globally for all Probe displays.

- ❑ Other File – another .PRB file stored elsewhere on your hard disk or network drive. Use the Browse button to locate the file on a particular drive.

6. Click OK.

Restoring a plot window template

In order to make a plot window template the active display in Probe, you must restore it. This process recalls a previously defined plot window template and sets up a new plot window in Probe using the arguments associated with that template. In order for the arguments in the template to apply, you must replace the node voltage names or pin current names for each argument contained in the restored template.

Note: You can only restore plot window templates that are already loaded. If you want to restore a plot window template that does not appear in the list, you must first load it.

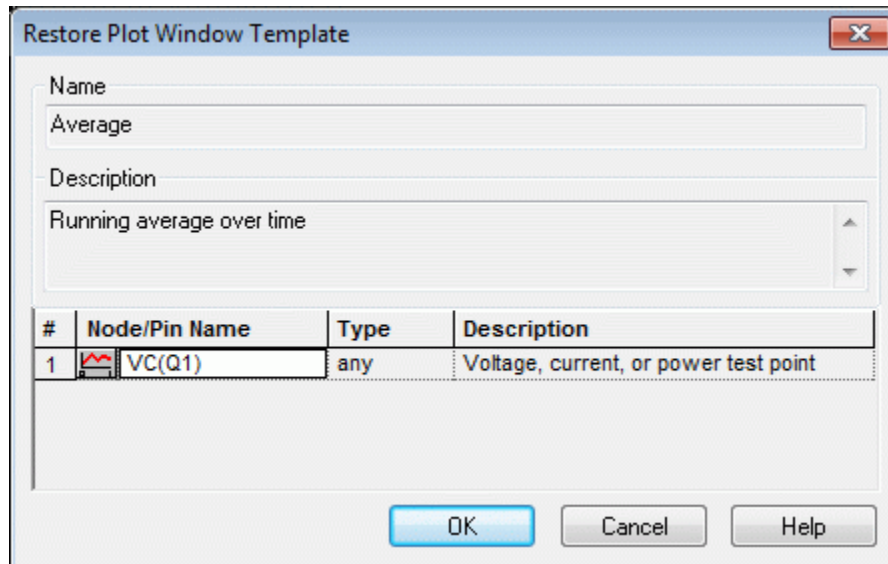
To restore a plot window template

1. From the Window menu, choose Display Control.
2. Click the Templates tab.
3. Click Restore.

PSpice User Guide

Analyzing waveforms

The Restore Plot Window Template dialog box appears.



4. Reassign the node voltage names or pin current names for each argument in the list.
5. Click OK.

A new Probe window will be created and the restored plot window template will be displayed.

Note: You may also restore a plot window template by choosing the Add Trace command from the Trace menu, and then selecting Plot Window Templates from the drop-down list in the Functions or Macros frame.

Viewing the properties of a plot window template

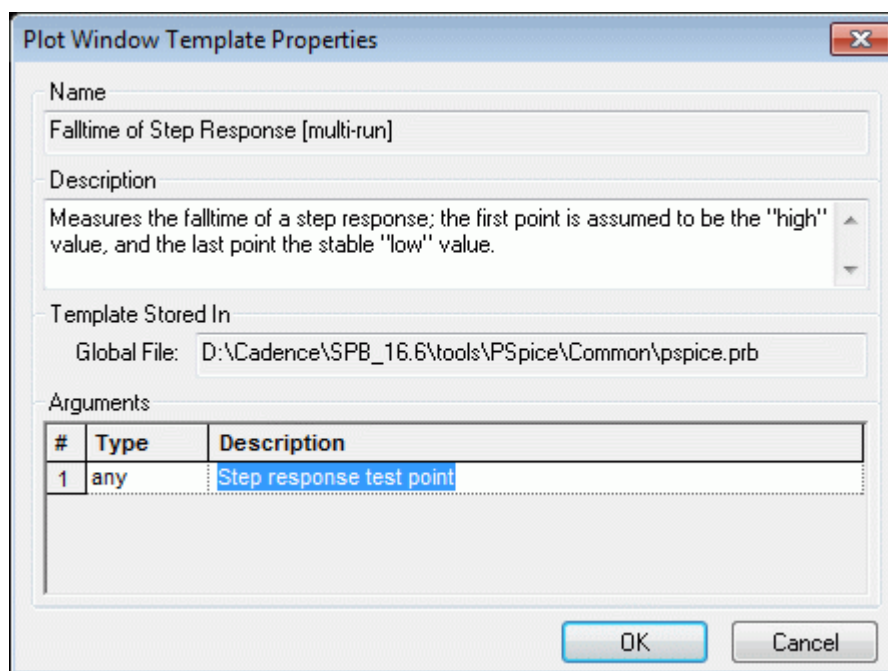
You can view the properties of a plot window template and change the description fields for the template or arguments it contains.

Note: A plot window template that is saved to a simulation profile that you define cannot be used with markers in OrCAD Capture. The list of plot window templates displayed in PSpice includes user-defined templates, but the list in OrCAD Capture does not show these. To view user-defined templates in OrCAD Capture, you must copy the templates to either the local or global .PRB file.

To view the properties of a plot window template

1. From the Window menu, choose Display Control.
2. Click the Templates tab.
3. Click on the name of the plot window template you want to view.
4. Click Properties.

The Plot Window Template Properties dialog box appears.



5. Change the Description field for the template, or change the description for any of the Arguments, as desired.
6. Click Finish to exit and save any changes.

Note: When viewing the properties of a template, you can only edit the description fields. No other changes are allowed. If you want to modify the arguments or assignments, you need to modify the template.

Loading a plot window template

You can load a plot window template from another .PRB file, and add it to the list of available templates. When you load a template, you do

not make it the active display in Probe. You are only adding it to the list of available templates. (To view the newly loaded template, you need to restore it.)

If a duplicate template is loaded, then the one you are loading will replace the current one in the list. If you close the data file and reopen it, any plot window templates that you loaded earlier will have to be loaded again to make them available. (Loaded templates are not saved with the data file.)

To load a plot window template

1. From the Window menu, choose Display Control.
2. Click the Templates tab.
3. Click Load.

The Load Displays dialog box appears.

4. Locate the .PRB file that contains the plot window template you want to load.
5. Select the file and then choose Open.

The loaded templates will be listed in the Display Control dialog box.

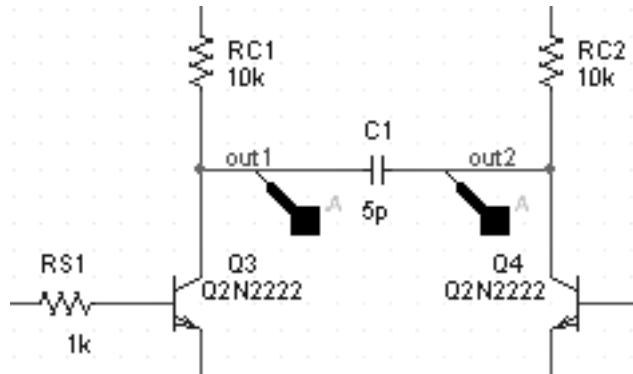
Placing plot window template markers in Capture

Place a marker in Capture that represents a plot window template. The marker will restore the associated template when you run the simulation in PSpice. Markers for plot window templates are

PSpice User Guide

Analyzing waveforms

distinguished from other markers (for voltage, current, or power) by being square rather than round in shape.



A simulation profile must be active in order to place a marker for a plot window template. The analysis type defined in the profile will determine what type of template will be loaded (either for AC, DC or transient analysis).

When placing a plot window template marker, the argument description for the template being placed will appear in the status bar of Capture. Markers will continue to be placed until all arguments for the template have been satisfied. If an active simulation exists, then the template markers will turn black; otherwise, they will remain gray.

If an argument type is set to "Any" rather than a specific type, the marker type will depend on the marker placement location. If a marker is placed on a pin, then it will be assumed to be a current marker. If a marker is placed on a node, it will be assumed to be a voltage marker. If a marker is placed on a device, it will be assumed to be a power marker.

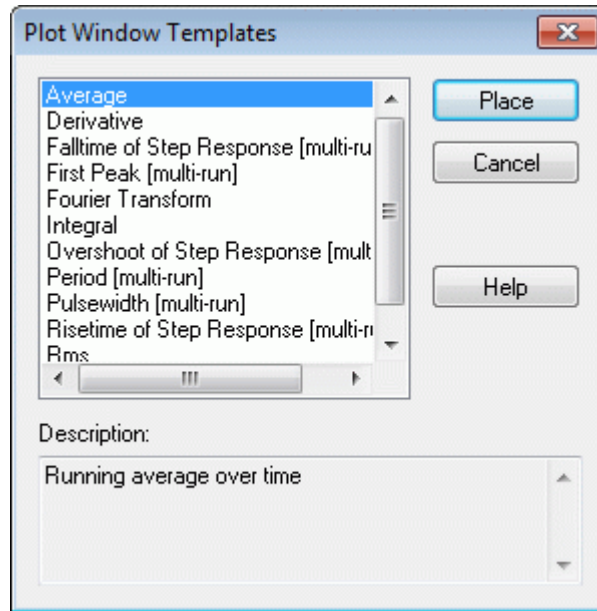
To place a plot window template marker

1. In Capture, from the PSpice menu, choose Markers, then select Plot Window Templates.

PSpice User Guide

Analyzing waveforms

The Plot Window Templates dialog box appears.



2. Click on the template you want to associate with the marker you will place.
3. Click the Place button.
A plot window template marker will appear and be attached to the cursor.
4. Place the marker at a particular location on the schematic page.
5. Continue to place markers at the appropriate locations until all the arguments for the template have been satisfied.

Note: PSpice does not have to be running in order for you to place a marker for a plot window template. The list of loaded templates comes from either the default PSPICE.PRB file or from the .PRB file for the active profile, if that exists.



Caution

Plot Window Templates are displayed properly only if one template is added at a time. Therefore, in a situation where multiple Plot Window Templates are added before simulation, all the templates will be ignored. In cases where simulation is done first and

markers are added later on, every thing works fine, since only one Plot Window Template gets added at a time.

Limiting waveform data file size

When PSpice performs a simulation, it creates a waveform data file. The size of this file for a transient analysis is roughly equal to:

$(\# \text{ transistors}) \cdot (\# \text{ simulation time points}) \cdot 24 \text{ bytes}$

The size for other analysis types is about 2.5 times smaller. For long runs, especially transient runs, this can generate waveform data files that are several megabytes in size. Even if this does not cause a problem with disk space, large waveform data files take longer to read in and take longer to display traces on the screen.

You can limit waveform data file size by:

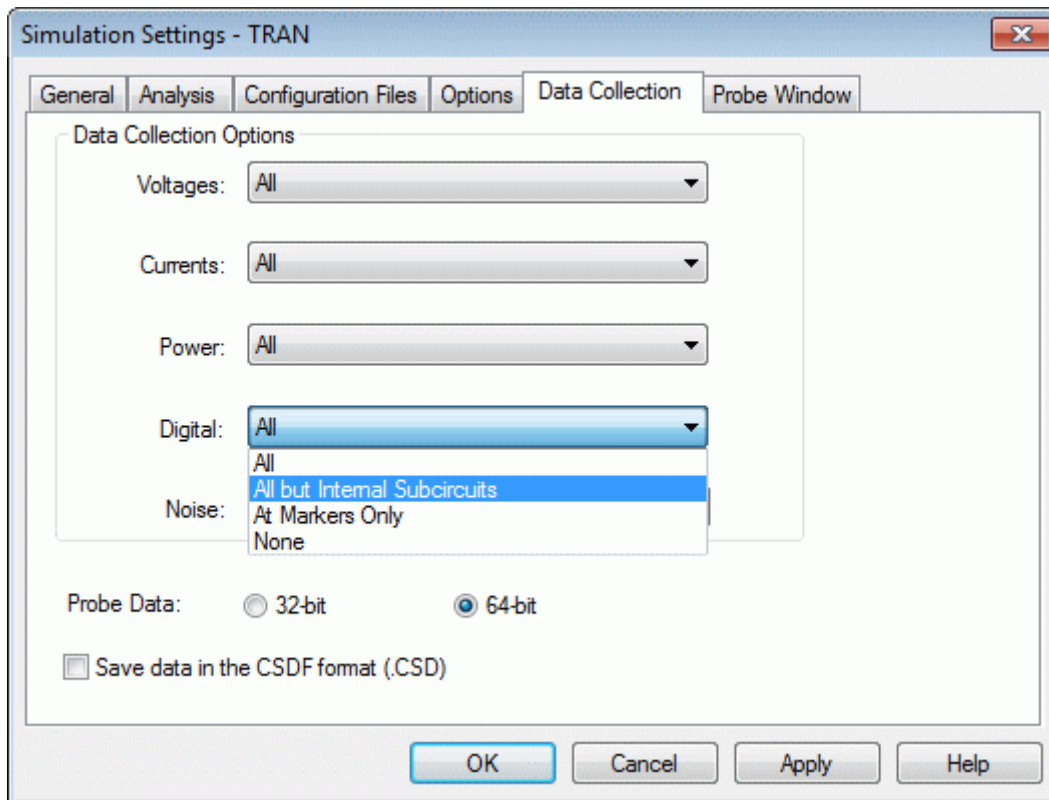
- placing markers on your schematic before simulation and having PSpice restrict the saved data to these markers only
- excluding data for internal subcircuits
- suppressing simulation output

Limiting file size using markers

One reason that waveform data files are large is that, by default, PSpice stores *all net voltages and device currents* for each step (for example, time or frequency points). However, if you have placed markers on your schematic prior to simulation, PSpice can save only the results for the marked wires and pins.

To limit file size using markers

1. From Capture's PSpice menu, choose Edit Simulation Profile to display the Simulation Settings dialog box.



2. Click the Data Collection tab.
3. In the Data Collection Options frame, choose the desired option for each type of marker (Voltages, Currents, Power, Digital, Noise).

Table 17-7

Option	Description
All	All data will be collected and stored. <i>(This is the default setting.)</i>
All but Internal Subcircuits	All data will be collected and stored except for internal subcircuits of hierarchical designs (top level data only).

Table 17-7

Option	Description
At Markers only	Data will only be collected and stored where markers are placed.
None	No data will be collected.

4. Check the Save data in the CSDF format (.CSD) if you want the data to be stored in this format.

Note: By default, the probe data has an accuracy of *64-bit*. You can change this to *32-bit*.

5. Click OK to close the Simulation Settings dialog box.
6. From the PSpice menu, point to Markers, then choose the marker type you want to place.

The color of the marker on the schematic page is the same as its corresponding waveform analysis trace. If you change the color of the trace, the color of the marker changes accordingly.

7. Point to the wires or pins you wish to mark and click to place the chosen markers.
8. Right-click and select End Mode to stop placing markers.
9. From the PSpice menu, choose Run to start the simulation.

When the simulation is complete, the corresponding waveforms for the marked nodes or devices will be displayed in Probe.

Limiting file size by excluding internal subcircuit data

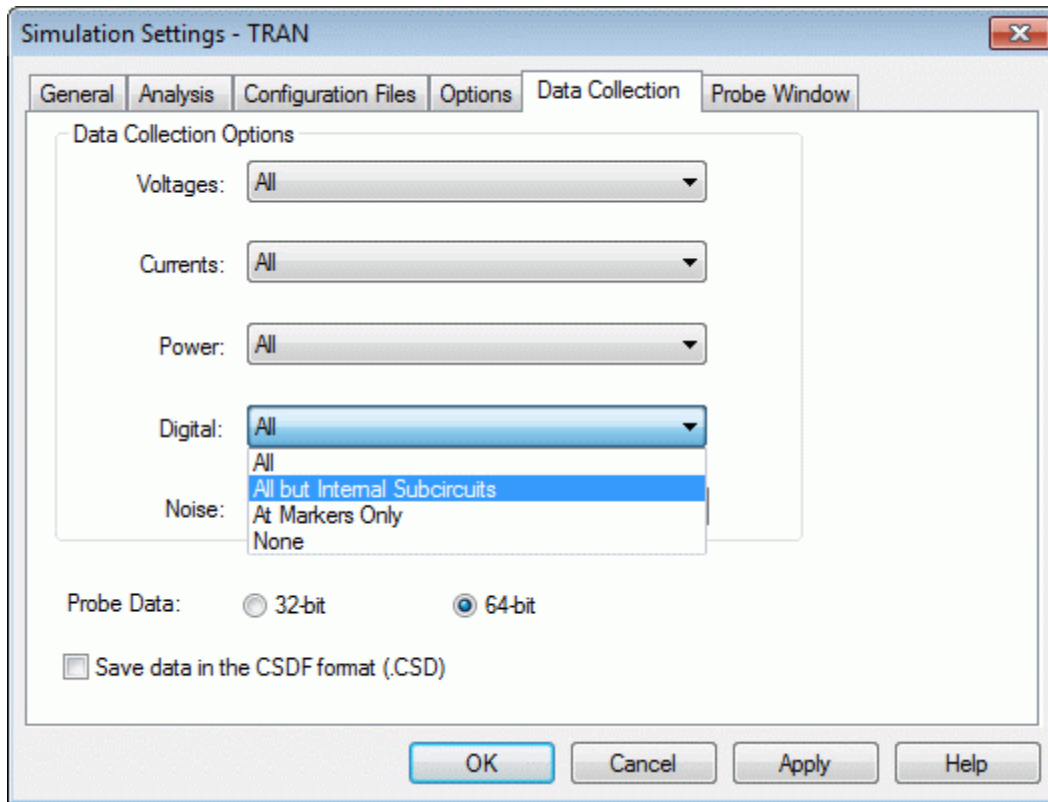
By default, PSpice saves data for all internal nodes and devices in subcircuit models in a design. You can exclude data for internal subcircuit nodes and devices.

PSpice User Guide

Analyzing waveforms

To limit file size by excluding data for internal subcircuits

1. From the Capture PSpice menu, choose Edit Simulation Profile to display the Simulation Settings dialog box.



2. Click the Data Collection tab.
3. In the Data Collection Options frame, choose All but Internal Subcircuits for each marker type.
4. Click OK to close the Simulation Settings dialog box.
5. From the PSpice menu, choose Run to start the simulation.

Limiting file size by suppressing the first part of simulation output

Long transient simulations create large waveform data files because PSpice stores many data points. You can suppress a part of the data from a transient run by setting the simulation analysis to start the output at a time later than 0. This does not affect the transient

calculations themselves—these always start at time 0. This delay only suppresses the output for the first part of the simulation.

Note: Suppressing part of the data from a run also limits the size of the PSpice output file.

To limit file size by suppressing the first part of transient simulation output

1. From Capture's PSpice menu, choose Edit Simulation Profile to display the Simulation Settings dialog box.
2. Click the Analysis tab.
3. From the Analysis type list, select the Time Domain (Transient) option.
4. In the Start saving data after text box, type a delay time.
5. Click OK to close the Simulation Settings dialog box.
6. From the PSpice menu, choose Run to start the simulation.

The simulation begins, but no data is stored until after the delay has elapsed.

Viewing large data files

At times there are situations where you cannot reduce the size of the data file being generated, but would like to load large data files on to the Probe for viewing the trace.

As PSpice depends on system memory for loading and displaying any trace, if the data file is so large that cannot be loaded, the trace does not get displayed at all. Usually data files with size greater than 2 GB are considered to be large data files. Whether a data file can be categorized as large depends on the size of the data file and the number of traces within the data file. For example, a data file that has 10 traces and is of 2 GB may not be a large data file. But if a data file has single trace and is of 2 GB or more, it can be termed as a large data file.



Tip

The percentage progress of loading data file is displayed on the status bar. when loading large data files or loading files across network You can use this information to approximate the time taken.



Important

By default, any data file with more than 1 million data points per trace is considered as large data file by PSpice.

Large data files are usually loaded faster compared to the smaller data files in terms of rate of loading. However, PSpice provides options to optimize the loading and viewing of large data files. To load and view data files with more than 1 million data points, PSpice provides you with the following options.

- [Displaying fewer data points](#)
- [Displaying partial trace](#)

Displaying fewer data points

If a data file is too large to be loaded on to PSpice, you can choose to display the complete trace that has been created using a fewer data points.

For example, if the complete trace uses 3 million data points, the trace displayed on the probe window will be created using only 1 million data points.

In this option though the complete trace is displayed, it is not very accurate. The number of data points used to construct the complete trace depends on the system memory available for loading data points. By default, the limit is set to 1 million data points per part of the trace. If required you can increase this limit. For more information see, [Changing threshold for large data file.](#)

Displaying partial trace

Another method of loading and displaying a large data file on to PSpice, is to break the complete trace into multiple smaller parts. You

can then view each part separately in the PSpice probe window. See the figure below.

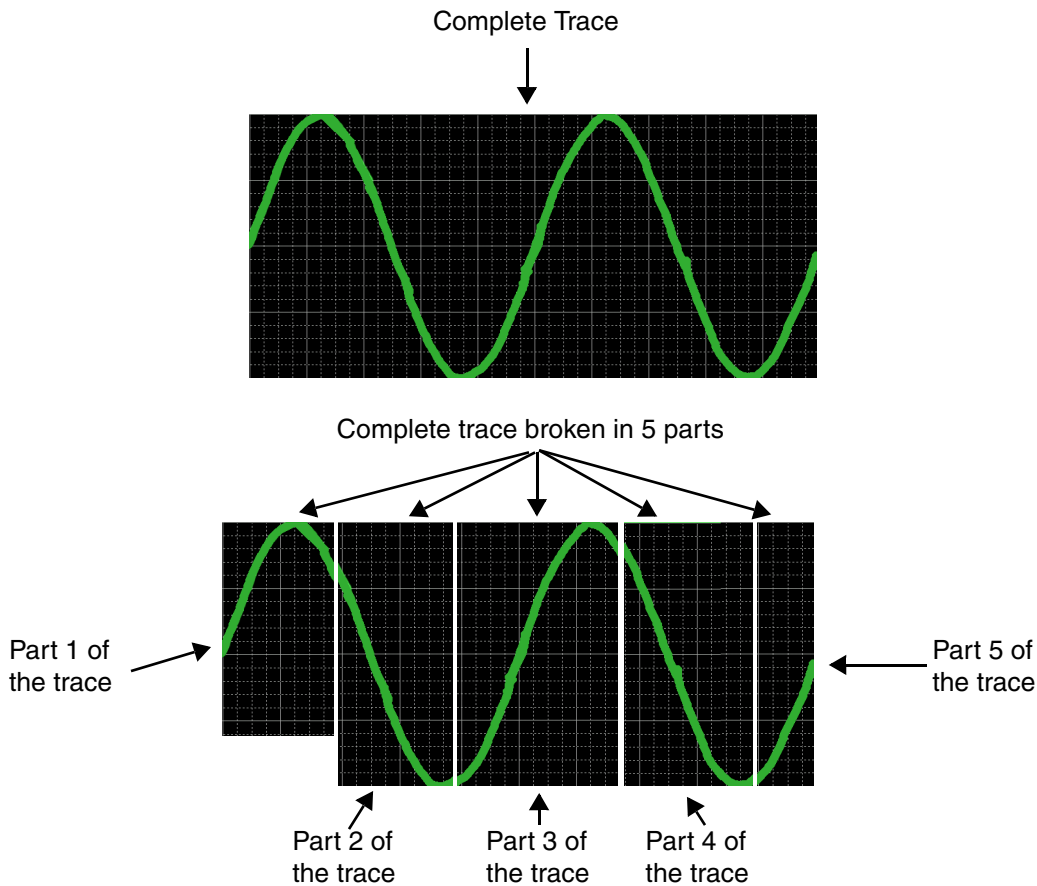


Figure 17-3 Displaying partial traces

Number of parts into which the complete trace can be divided is governed by the number of data points in the trace.

For example, if a complete trace has 4.5 million data points, and at any given point of time PSpice is configured to load only 1 million data points, the complete trace will be divided into 5 parts. First four part traces will be of 1 million data points each and the last part trace will be of 500000 data points.

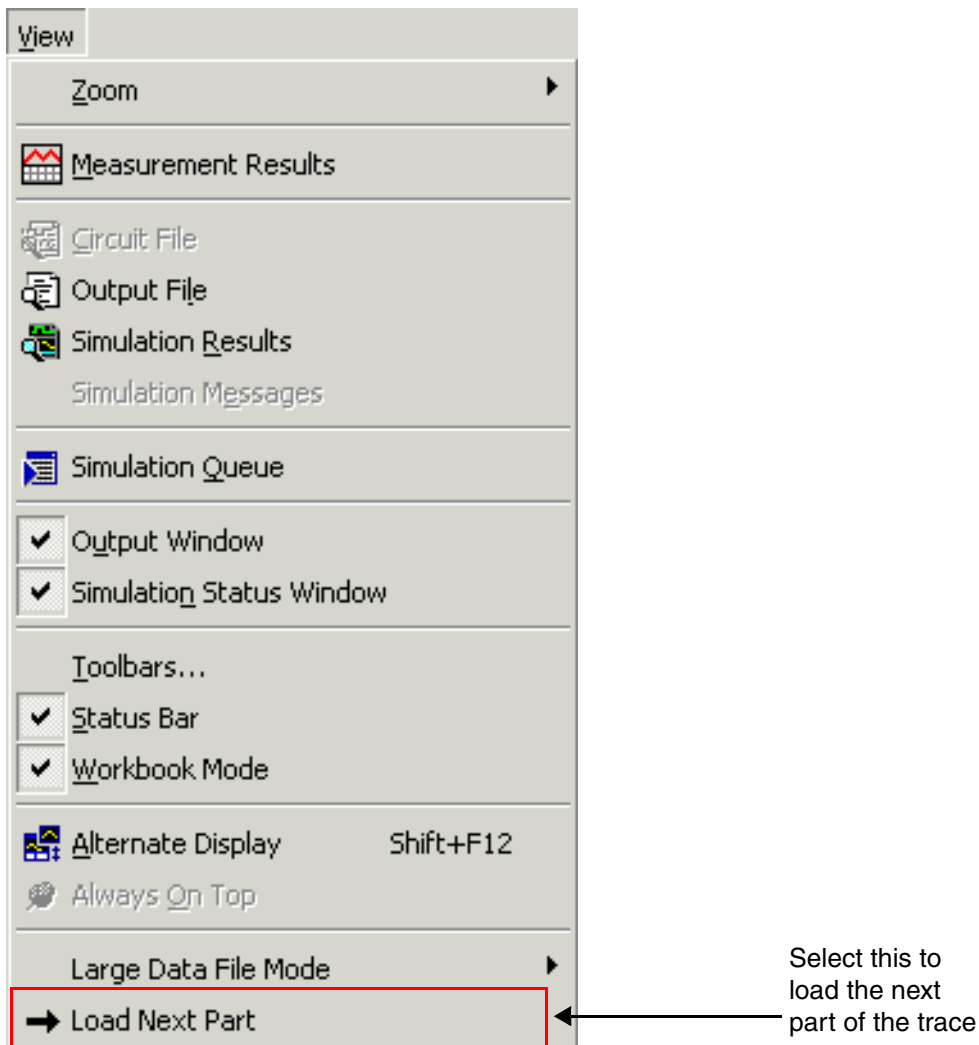
The size of the partial trace is also influenced by the number of data points per part. By default, the limit is set to 1 million data points per

PSpice User Guide

Analyzing waveforms

part of the trace. If required you can increase this limit. For more information see, [Changing threshold for large data file](#).

When you display partial traces, marching waveforms are not supported.

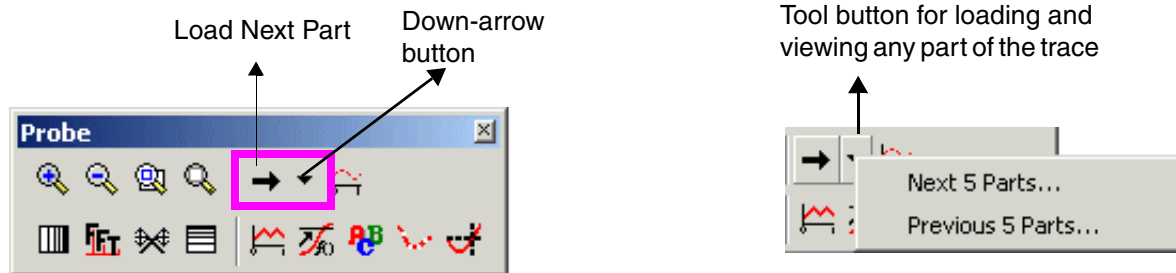


You can also use the *Load Next Part* button in the *Probe* toolbar for loading and viewing the next part of the trace. The down-arrow button

PSpice User Guide

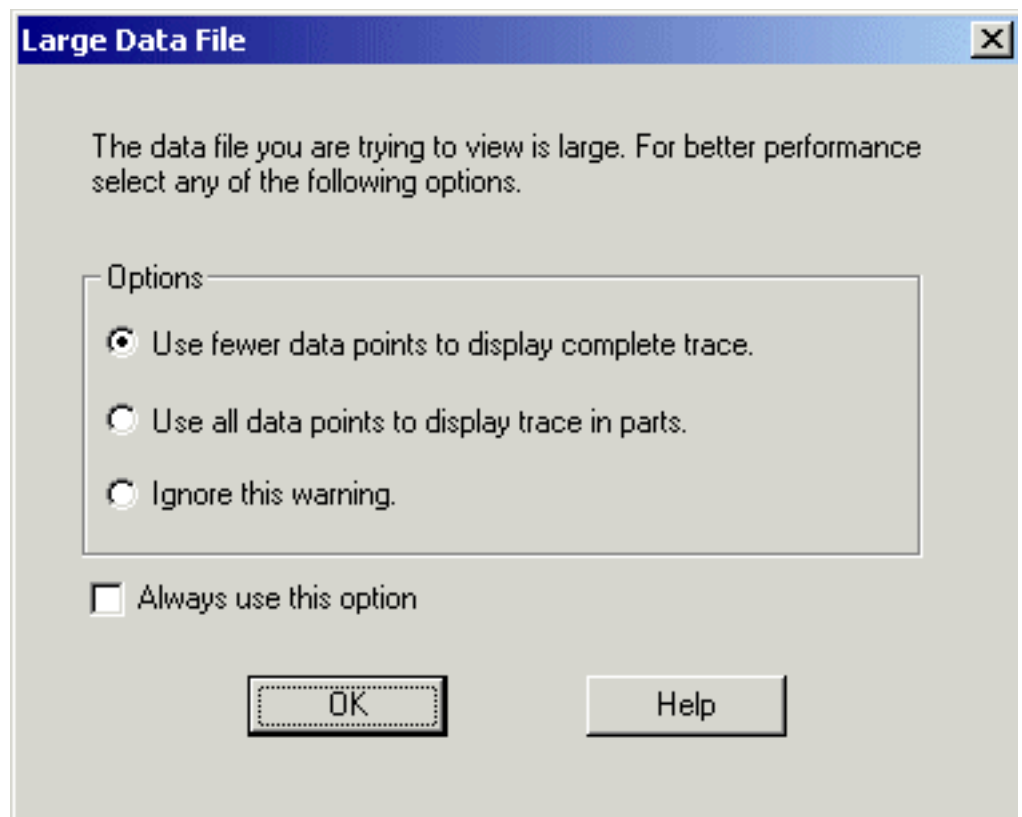
Analyzing waveforms

is used to display the next 5 or the previous 5 parts of the trace or both as the case may be.



Loading a large data file

If you are trying to open a large data file in PSpice, the Large Data File dialog box appears.



PSpice User Guide

Analyzing waveforms

To load and display the data file, you can either select the *Use fewer data points to display complete trace option* or the *Use all data points to display trace in parts* option.

To load the complete data file, select the *Ignore this warning* option. When you select this option, the data file may or may not get loaded depending on your system memory.

For example, on some machines a data file with 5 million data points may open without any problems while on some other machine the same data file might be too large to be loaded in one go.

To make your selection the default setting, select the *Always use this option* check box. Once this check box is selected, next time when you try to open a large data file, the Large Data File dialog box does not appear. Instead, the option selected by you previously is used to open the large data file.

Note: The following two options are disabled for marching waveforms:

- Use fewer data points to display complete trace
- Use all data points to display trace in parts

Switching Modes

While viewing the trace from a large data file, you can switch from one mode to another using one of the following methods.

- Using the View drop-down menu
 - a. From the *View* menu in PSpice select *Large Data File Mode*.
 - b. In the Large Data File Mode submenu, select the mode in which you want to view the trace. The mode currently selected, has a check mark against it.
 - Select *Display Fewer Data Points* when you want to view the complete trace that may not be very accurate.

PSpice User Guide

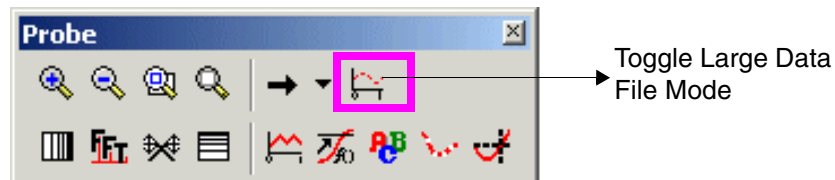
Analyzing waveforms

- Select *Display in parts* when you want to view the partial but an accurate representation of the trace.



■ Using the toolbar

- a. To switch modes, select the *Toggle Large Data File Mode* button in the Probe toolbar.



Changing threshold for large data file

By default, in PSpice any data file with more than 1 million data points is categorized as a large data (.dat) file. As a user you can modify this threshold by specifying a higher the number of data points in the Probe Settings dialog box.

Important

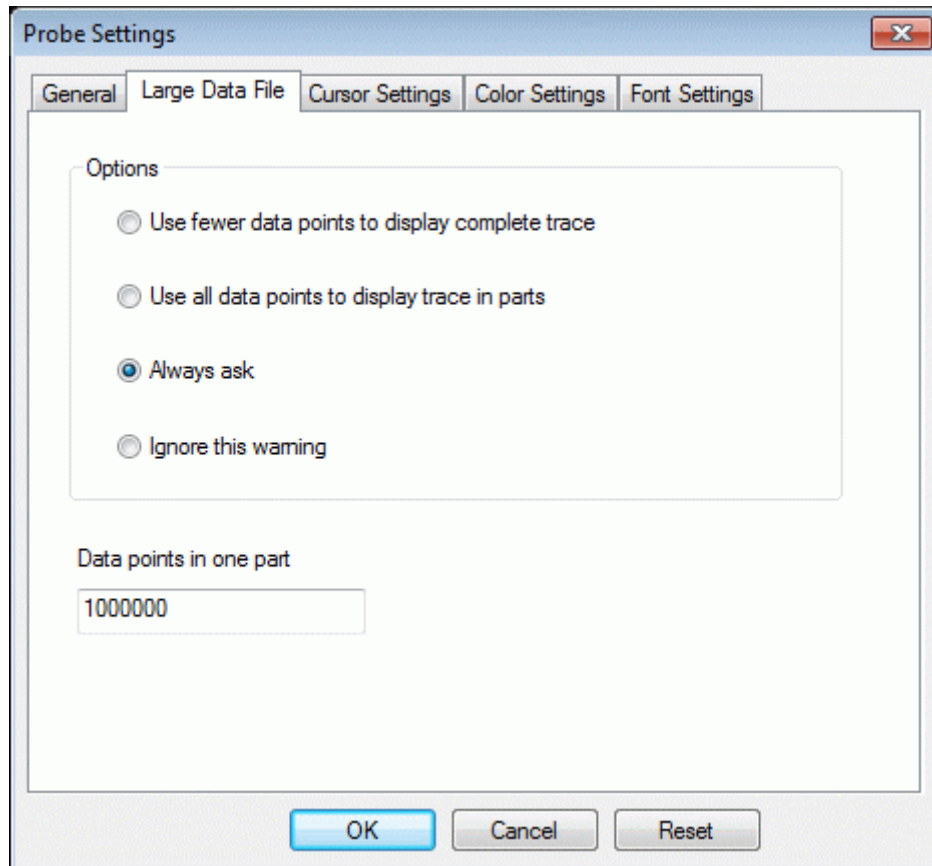
You cannot reduce the limit to lower than 1 million data points.

To increase the number of data points complete the following steps:

1. From the *Tools* menu in PSpice choose *Options*.

Note: This option is enabled only if a .dat or .sim file is open in PSpice.

2. Select the *Large Data File* tab.



3. In the *Data points in one part* text box specify the desired number of data points and click OK.

The changes you have made in the Probe Setting dialog box, will be effective from the next session.



Any changes to the threshold for defining large data file should be made keeping in account your system memory so as to avoid failure in opening data files. For example, on a machine low on system memory, a data file or a part of data file with 2 million data points might fail to open. On the other hand, for a high-end machine a limit of 3 million data points might work fine.

Using simulation data from multiple files

You can load simulation data from multiple files into the same Probe window by appending waveform data files.

When more than one waveform data file is loaded, you can add traces using all loaded data, data from only one file, or individual data sections from one or more files.

Appending waveform data files

To append a waveform data file

1. In PSpice, from the File menu, choose Append Waveform (.DAT).
2. Select a * .DAT file to append, and click OK.
3. If the file has multiple sections of data for the selected analysis type, the Available Sections dialog box appears. Do one of the following:
 - Click the sections you want to use.
 - Click the All button to use all sections.
4. Click OK.

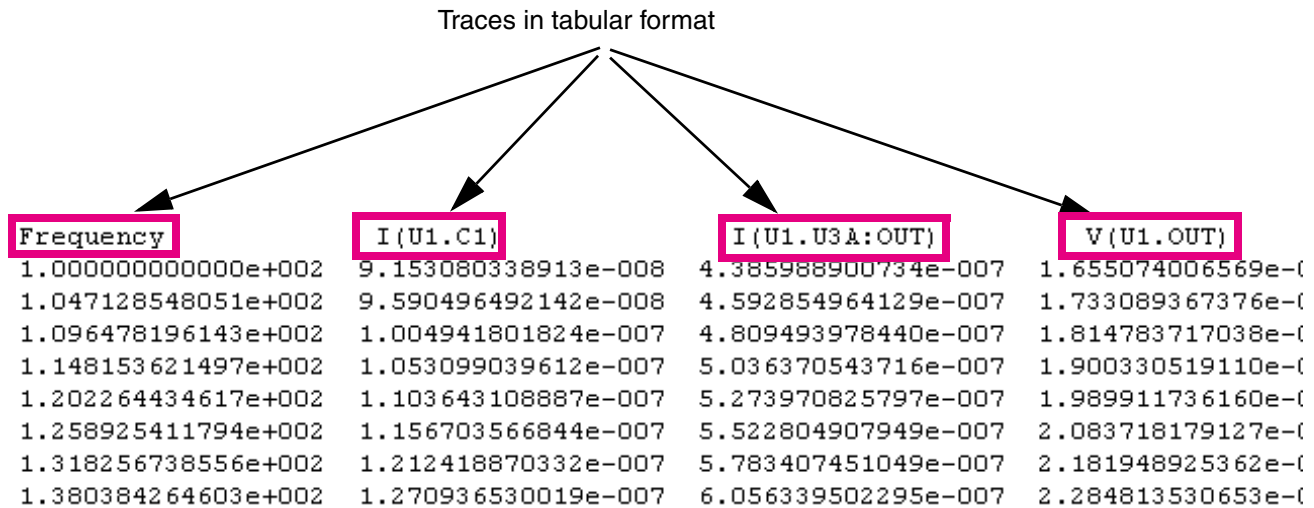
Importing traces

Besides using the simulation data from .DAT files, you can also import trace information stored in other file formats. Using PSpice

PSpice User Guide

Analyzing waveforms

you can import the traces stored in a tabular format in a .txt file or a .csv file.



To import a trace

1. From the File drop-down menu choose Import.
2. In the Import File dialog box, select the text file to be imported in PSpice.

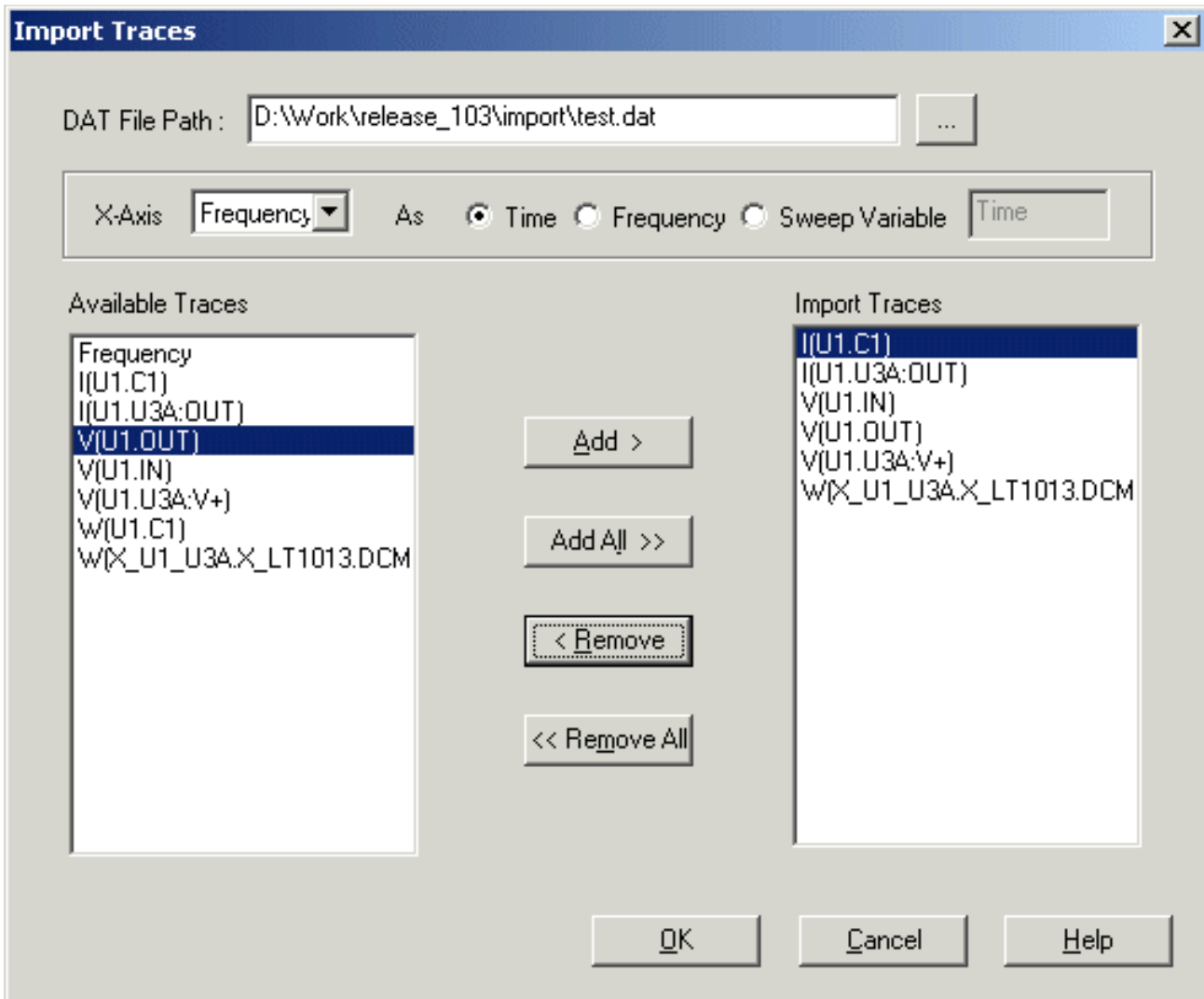
The Import Traces dialog box appears. All the nodes listed in the source file are listed in the X-axis drop-down list and the Available Nodes list.

3. In the Import Traces dialog box, specify the name and the location of the .DAT file in which the imported trace is to be stored.
4. From the X-Axis drop-down list box, select the node name to be plotted on the X-Axis.
5. Specify a name for the X-axis. Select one of the following options for naming the X-axis.
 - a. Time
 - b. Frequency
 - c. Sweep Variable: When you select Sweep Variable, you need to specify the variable name in the enabled text box.

PSpice User Guide

Analyzing waveforms

- From the Available Traces list box, select the traces that are to be imported in PSpice.
- Click Add.
- The selected traces appear in the Import Trace list box. To import all the traces available in the source file, click the Add All.



- Select OK to import the selected trace(s) into the specified data file.

 **Important**

Renaming of X-axis is useful when you want to import a trace and append it to an existing data file for comparing traces. To be able to append two traces successfully, you need to ensure that for both the traces the range and the name of the variable plotted on the X-axis should be same.

Adding traces from specific loaded waveform data files

If two or more waveform data files have identical simulation output variables, trace expressions that include those variables generate traces for each file. However, you can specify which waveform data file to use in the trace expression. You can also determine which waveform data file was used to generate a specific trace.

To add a trace from a specific loaded waveform data file

1. In PSpice, from the Trace menu, choose Add Trace to display the Add Traces dialog box.

The Simulation Output Variables list in the Add Traces dialog box contains the output variables for all loaded waveform data files.

2. In the Trace Expression text box, type an expression using the following syntax:

trace_expression@fn

where *n* is the numerical order (from left to right) of the waveform data file as it appears in the PSpice title bar, or

trace_expression@s@fn

where *s* is a specific data section of a specific waveform data file.

Example: To plot the V(1) output for data section 1 from the second data file loaded, type the following trace expression:

V(1)@1@f2

You can also use the name of the loaded data file to specify it. For example, to plot the V(1) output for all data sections of a loaded data file, MYFILE.DAT, type the following trace expression:

V(1)@"MYFILE.DAT"

3. Click OK.

To identify the source file for an individual trace

1. In the trace legend, double-click the symbol for the trace you want to identify (Figure 17-4).

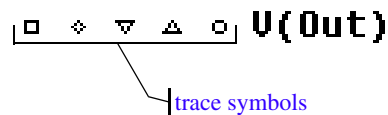


Figure 17-4 Trace legend symbols.

The Section Information dialog box appears, containing the trace name and—if there is more than one waveform data file loaded in the plot—the full path for the file from which the trace was generated.

Also listed is information about the simulation that generated the waveform data file and the number of data points used (Figure 17-5).



Figure 17-5 Section information message box.

Comparing measured data with simulated data

You can compare measured data with simulated data in the Probe. You need to import the measured data into the circuit to enable comparison. To import the data, perform the following steps:

1. Put the measured data into a text file as a list of two column rows. The first column specifies the time and the second column specifies the value at that time. Separate the columns using space.
2. Place a VPWL_file or IPWL_file part on the schematic.
3. Set the FILE_ATTRIBUTE property of the part to the path of the text file. If you placed the measured data text file in the profile folder, specify only the name of the text file. Otherwise, specify the absolute path to the file.
4. Terminate the placed VPWL_file or IPWL_file part with a resistor to ground.

Note: Terminating the placed part to ground with a resistor ensures that the voltage across the resistor or current through the resistor represents the imported measured data.

Probe displays the value of voltage or current as a trace when you run the simulation. You can compare this trace with the traces for simulated values.

Saving simulation results in ASCII format

The default waveform data file format is binary. However, you can save the waveform data file in the Common Simulation Data Format (CSDF) instead.



Data files saved in the CSDF format are two or more times the size of binary files.

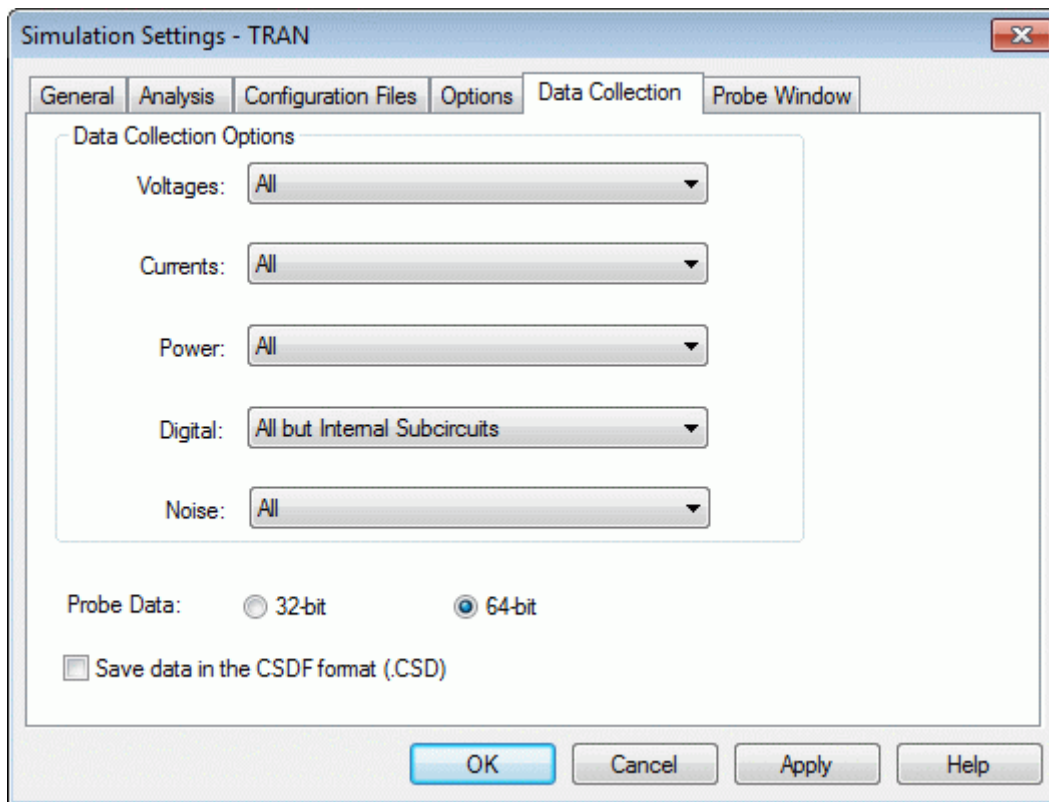
PSpice User Guide

Analyzing waveforms

When you first open a CSDF data file, PSpice converts it back to the .DAT format. This conversion takes two or more times as long as opening a .DAT file. PSpice saves the new .DAT file for future use.

To save simulation results in ASCII format

1. From PSpice's Simulation menu, choose Edit Profile to display the Simulation Settings dialog box.



2. Click the Data Collection tab.
3. Select *Save data in the CSDF format (.CSD)*.
4. Click OK.

PSpice writes simulation results to the waveform data file in ASCII format (as *.CSD instead of *.DAT), following the CSDF convention.

Analog example

In this section, basic techniques for performing waveform analysis are demonstrated using the analog circuit EXAMPLE.OPJ.

The example project EXAMPLE.OPJ is provided with your installed programs. When shipped, EXAMPLE.OPJ is set up with multiple analyses. For this example, the AC sweep, DC sweep, Monte Carlo/worst-case, and small-signal transfer function analyses have been disabled. The specification for each of these disabled analyses remains intact. To run them from Capture in the future, from the PSpice menu, choose Edit Simulation Profile and enable the analyses.

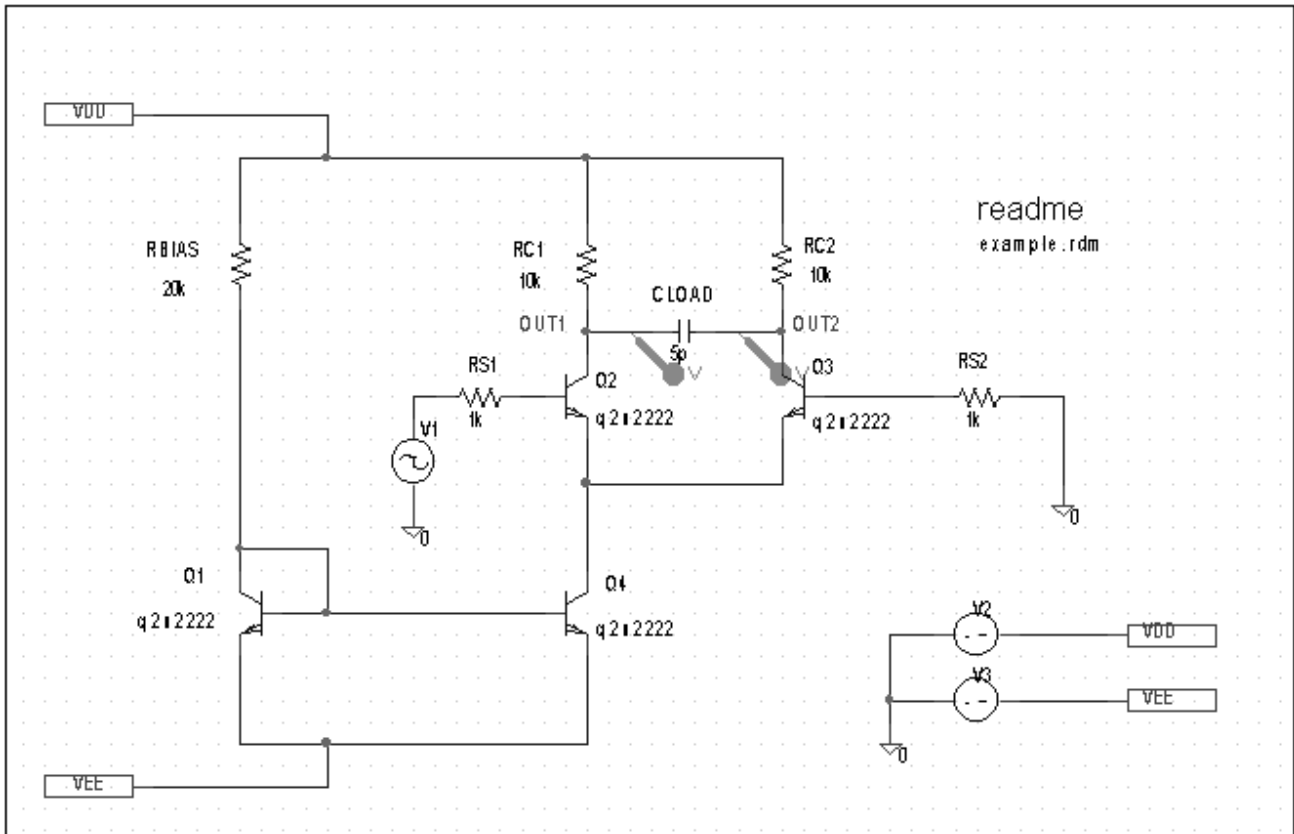


Figure 17-6 Example schematic EXAMPLE.OPJ.

Running the simulation

The simulation is run with the Bias Point Detail, Temperature, and Transient analyses enabled. The temperature analysis is set to 35 degrees. The transient analysis is setup as follows:

Print Step	20ns
Final Time	1000ns
Enable Fourier	selected
Center Frequency	1Meg
Output Vars	V(OUT2)

Note: When you run a Fourier analysis using PSpice as specified in this example, PSpice writes the results to the PSpice output file (*.OUT). You can also use Probe windows to display the Fourier transform of any trace expression by using the FFT capability in PSpice. To find out more, refer to the online *PSpice Help*.

To start the simulation

1. From Capture's File menu, point to Open and choose Project.
2. Open the following project in your installation directory:

```
\TOOLS\PSPICE\CAPTURE_SAMPLES\ANASIM\  
EXAMPLE\EXAMPLE.OPJ
```

3. From the PSpice menu, choose Run to start the simulation.

If PSpice is set to show traces for all markers on startup, you will see the V(OUT1) and V(OUT2) traces when the Probe window displays. To clear these traces from the plot, from the Trace menu, choose Delete All Traces.

PSpice User Guide

Analyzing waveforms

PSpice generates a binary waveform data file containing the results of the simulation. A new Probe window appears with the waveform data file `EXAMPLE.DAT` already loaded (Figure 17-7).

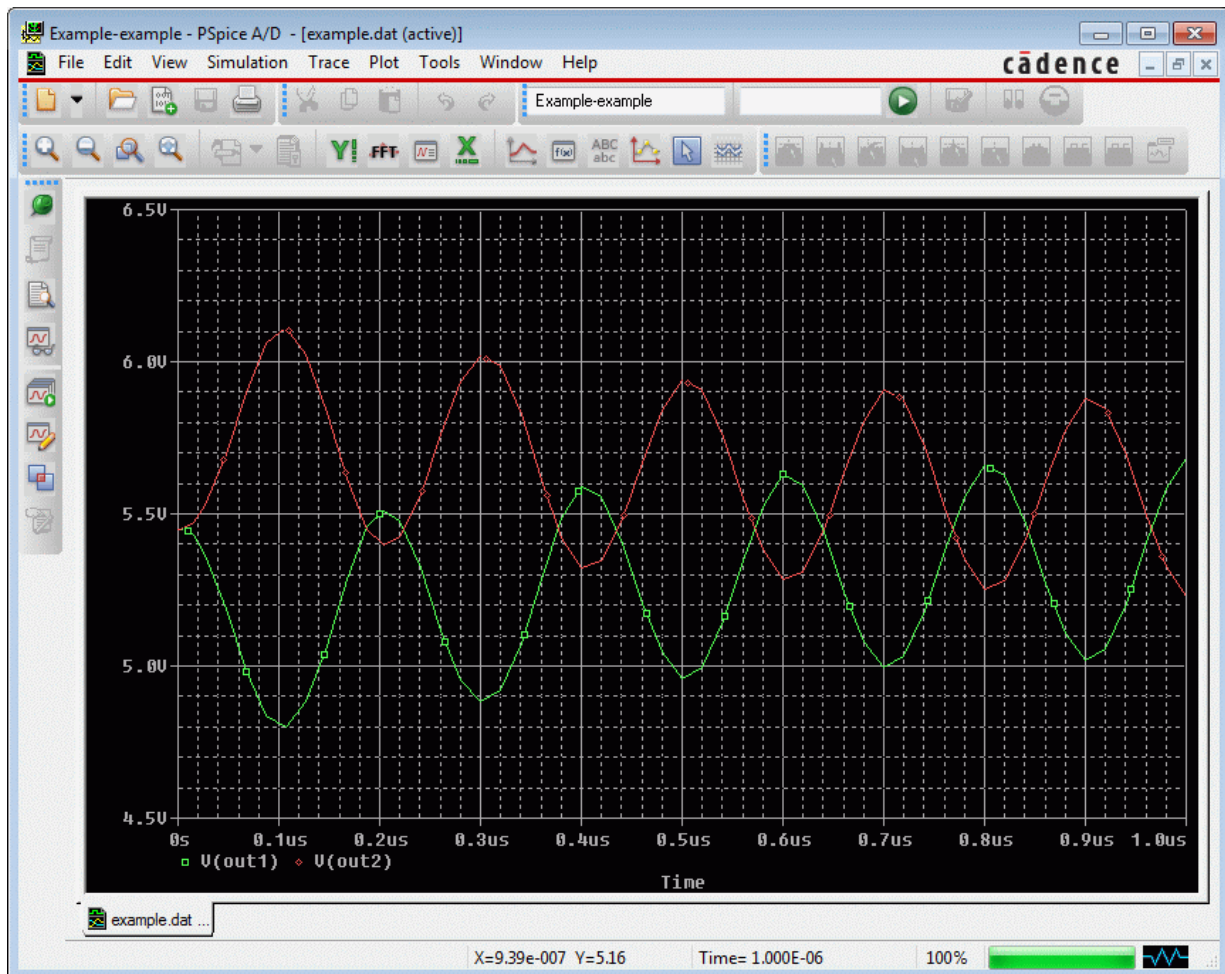


Figure 17-7 Waveform display for

Because this sample project was set up as a transient analysis type, the data currently loaded are the results of the transient analysis.

Note: In this sample, the voltage markers for OUT1 and OUT2 are already placed in the design. If the markers are not placed prior to simulating, you can display the waveforms later, as explained below in [Displaying voltages on nets](#).

Displaying voltages on nets

After selected an analysis, voltages on nets and currents into device pins can be displayed in the Probe windows using either schematic markers or output variables (as will be demonstrated in this example).

To display the voltages at the OUT1 and OUT2 nets using output variables

1. From the Trace menu, choose Add Trace to display the Add Traces dialog box.

The Simulation Output Variables frame displays a list of valid output variables.

2. Click V(OUT1) and V(OUT2), then click OK. The Probe window should look similar to Figure [17-7](#).

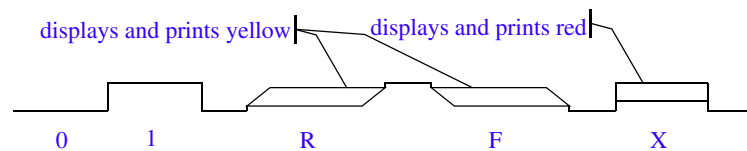
Mixed analog/digital tutorial

In this tutorial, you will use PSpice to simulate a simple, mixed analog/digital circuit. You will then analyze the output by:

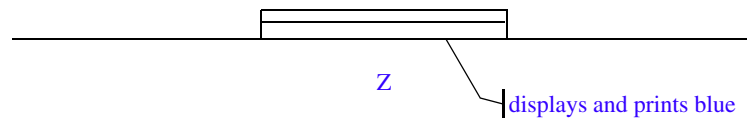
- simultaneously displaying analog and digital traces along a common time axis, and
- displaying digital data values and features unique to mixed analog/digital circuit analysis, such as identification of digital nets inserted by PSpice.

About digital states

All digital states are supported in PSpice. Logic levels appear as shown below.



Nets with the Z strength (at any level) are displayed as a triple line as shown below.



About the oscillator circuit

The circuit you will simulate and analyze is a mixed analog/digital oscillator using Schmitt trigger inverters, an open-collector output inverter, a standard inverter, a JK flip-flop, a resistor, and a capacitor. The design is shown in Figure 17-8.

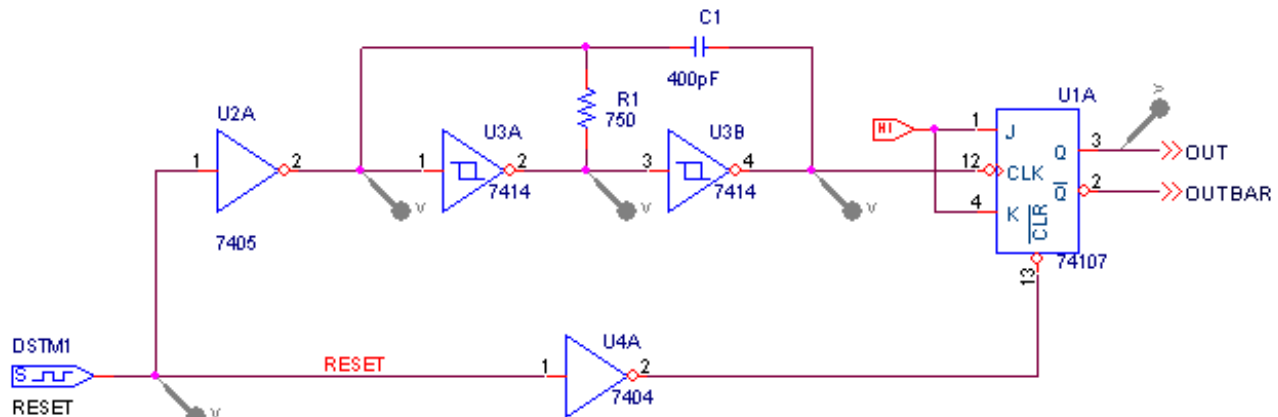


Figure 17-8 Mixed analog/digital oscillator

The circuit uses a one-bit digital stimulus device, DSTIM1. The device is connected to the rest of the circuit by a single pin and creates a reset pulse, which resets the flip-flop.

Setting up the design

Set up and simulate the oscillator circuit using Capture.

To open the design file

1. From Capture's File menu, point to Open and choose Project.
2. Open the following project in your OrCAD installation directory:

```
\TOOLS\PSPICE\CAPTURE_SAMPLES\MIXSIM\OSC\OSC.O  
PJ
```

To clear markers

1. From Capture's PSpice menu, point to Markers and choose Delete All.

Running the simulation

To run the simulation

1. From Capture's PSpice menu, choose Edit Simulation Profile and set the Run To Time to 5us.
2. From Capture's PSpice menu, choose Run.

Because the oscillator circuit used here has been run with only a transient analysis, PSpice automatically selects the transient analysis data section from the waveform data file. This means that the Available Selection dialog box is skipped and a Probe window appears immediately.

Analyzing simulation results

To view the clock input to the inverter

1. From PSpice's Trace menu, choose Add Trace to display the Add Traces dialog box.
2. In the Simulation Output Variables list, click V(U3A:A) to plot the input voltage to the inverter.
3. Click OK.

To add a second y-axis to avoid analog trace overlap

1. From the Plot menu, choose Axis Settings to display the Axis Settings dialog box.

The X Axis tab is active by default.

Note: You can also open the X Axis tab in the Axis Settings dialog box by double-clicking the x-axis in the Probe window.

- a. In the Data Range frame, choose User Defined and set the range from 0us to 5us, if this is not already set.
 - b. In the Scale frame, select Linear, if this is not already set.
2. Click the Y Axis tab.

PSpice User Guide

Analyzing waveforms

Note: You can also open the Y Axis tab in the Axis Settings dialog box by double-clicking the y-axis in the Probe window.

- a. In the Data Range frame, choose User Defined and set the range from -5 to 5. This will change the range for the current y-axis.
- b. Click OK.

Note: In the Y Axis Settings dialog box, you can change the settings for another y-axis by selecting it from the Y Axis Number box.

3. From the Plot menu, choose Add Y Axis.

The Probe window display should now look like Figure [17-9](#) below.

Note that the V(U3A:A) label at the bottom of the plot is preceded by a boxed 1. This indicates that the far-left y-axis applies to the V(U3A:A) waveform.

To view traces for V(CLK), RESET, and OUT

1. From the Trace menu, choose Add Trace to display the Add Traces dialog box.
2. In the Simulation Output Variables list, click V(U1A:CLK), RESET, and OUT.

The trace names appear in the Trace Expression text box.

Note: You can add up to 75 digital traces to the digital portion of the plot. If you add more traces than can be displayed, PSpice A/D scrolls the traces upwards so you can see the last trace added. A + character in front of the highest or lowest trace name indicates that there are more traces above or below the marked traces.

3. Click OK to plot the traces.

The plot displays a digital area above the analog area as shown in Figure [17-10](#) below.

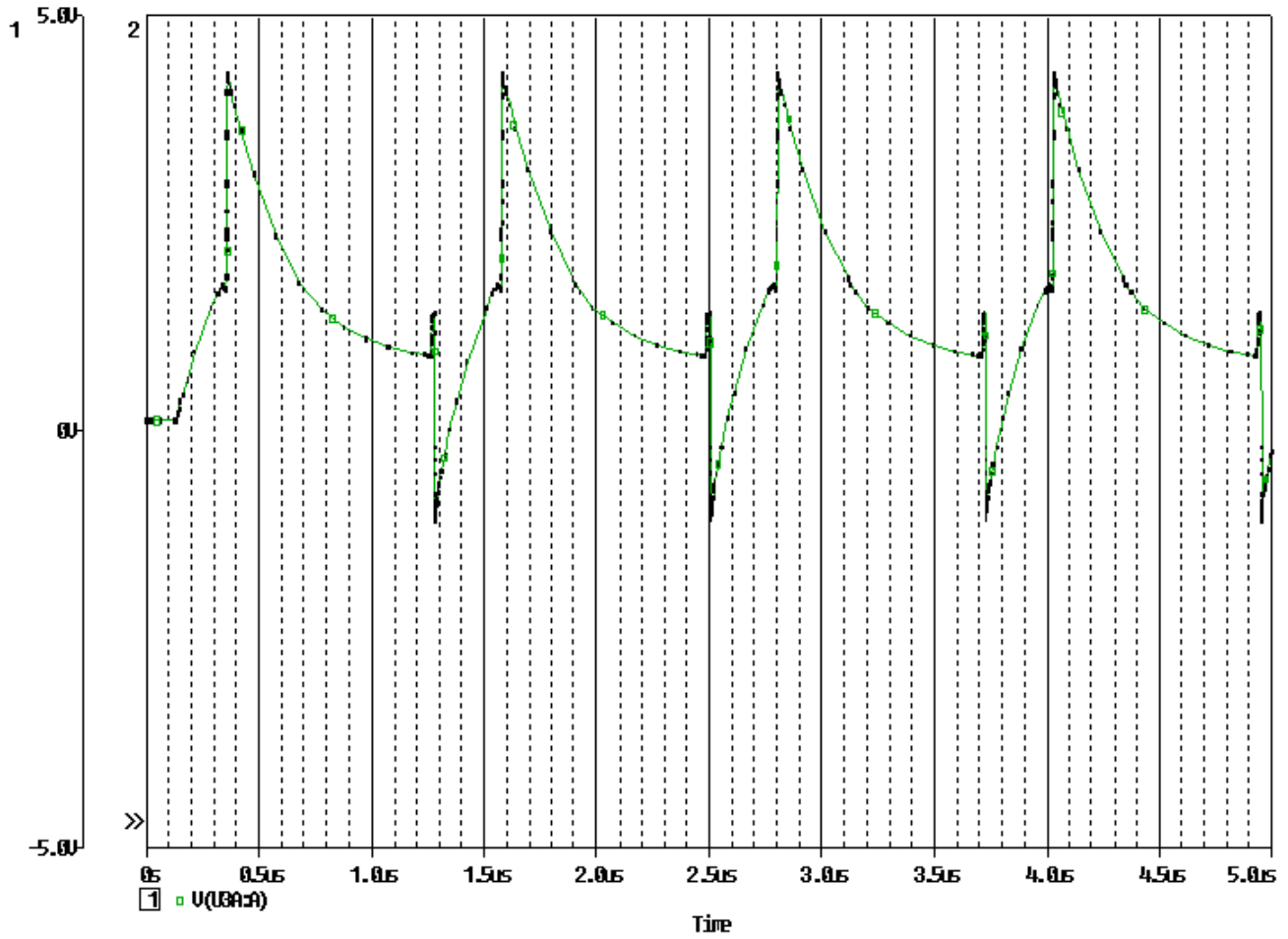


Figure 17-9 Voltage at inverter input with y-axis

PSpice User Guide

Analyzing waveforms

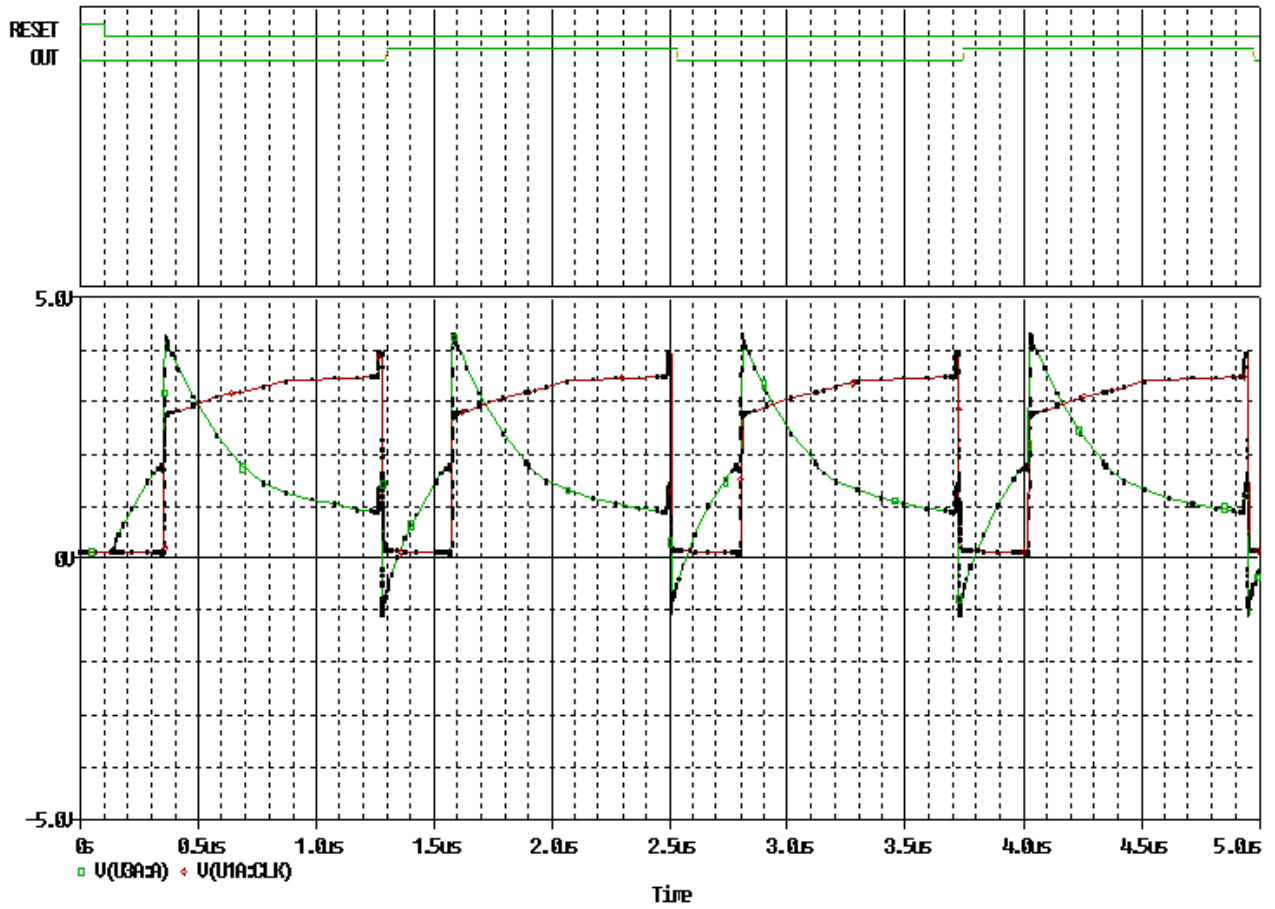


Figure 17-10 Mixed analog/digital oscillator results.

User interface features for waveform analysis

PSpice provides direct manipulation techniques and shortcuts for analyzing waveform data. These techniques are described below.

Many of the menu commands in PSpice have equivalent keyboard shortcuts. For instance, after placing a selection rectangle in the analog portion of the plot, you can type *Ctrl+A* instead of choosing Area from the View menu. For a list of shortcut keys, see the online *PSpice Help*.



Zoom regions

PSpice provides a direct manipulation method for marking the zoom region in either the digital or the analog area of the plot.



You can zoom in or zoom out by using the mouse wheel. Press the Control key and scroll the mouse wheel to zoom in or zoom out. Alternatively, you can press **I** or **i** to zoom in and **O** or **o** to zoom out in the Probe window.

To zoom in or out

1. Do one of the following on the toolbar:
 - Click the View In toolbar button  to zoom in by a factor of 2 around the point you specify.
 - Click the View Out toolbar button  to zoom out by a factor of 2 around the point you specify.

To zoom in the digital area using the mouse

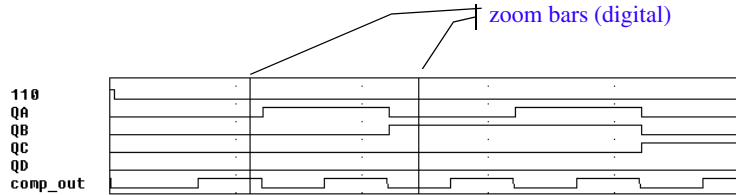
1. In the digital area, drag the mouse pointer left or right to produce two vertical bars.

Note: Click the mouse anywhere on the plot to remove the

PSpice User Guide

Analyzing waveforms

vertical bars without zooming.



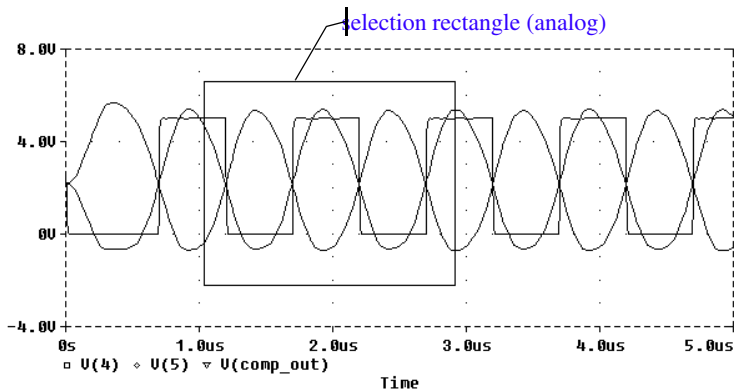
2. From the View menu, point to Zoom, then choose Area.

PSpice changes the plot display to the area in between the selection bars. If the plot includes an analog area, it is zoomed in as well.

To zoom in the analog area using the mouse

1. Drag the mouse pointer to make a selection rectangle as shown below.

Note: Click anywhere on the plot to remove the selection rectangle without zooming.



2. From the View menu, point to Zoom, then choose Area.

PSpice changes the plot to display the region within the selection rectangle. The digital portion of the display, if present, is also zoomed.

Scrolling traces

By default, when a plot is zoomed or when a digital plot contains more traces than can be displayed in the visible area, standard scroll bars appear to the right or at the bottom of the plot area as necessary. These can be used to pan through the data. You can configure scroll bars so they are always present or are never displayed.



Tip

You can also use the mouse wheel to scroll in the Probe window.

To configure scroll bars

1. In PSpice, from the Tools menu, choose Options.
2. In the Use Scroll Bars frame, choose one of the scroll bars options, as described below.

Choose this option...	To do this...
Auto	Have scroll bars appear when a plot is zoomed or when additional traces are displayed in the plot but are not visible (default).
Never	Never display scroll bars. This mode provides maximum plot size and is useful on VGA and other low resolution displays.
Always	Display scroll bars at all times. However, they are disabled if the corresponding axis is full scale.

Showing and hiding traces

You can show or hide one or more traces by right-clicking on a trace and choosing one of the following options:

- *Hide Trace*: Hides the selected trace.

- *Hide All Traces*: Hides all displayed traces.
- *Show All Traces*: Shows all traces.

You can also right-click on the probe window to choose either *Show All Traces* or *Hide All Traces*.

Sizing digital plots

Sizing bars can be used to change the digital plot size instead of choosing Digital Size from the Plot menu. The digital trace name sizing bar is at the left vertical boundary of the digital plot. If an analog plot area is displayed simultaneously with the digital plot, there is an additional plot sizing bar at the bottom horizontal boundary of the digital plot.

To set the digital plot size using the mouse

1. Display at least one digital trace and one analog trace in the Probe window for which you want to set the digital size.
2. To change the bottom position of the digital Probe window, do the following:
 - a. Place the mouse pointer between the analog and digital parts of the plot.
 - b. Click the plot separator.
 - c. Drag the plot separator until you have the digital size you want.
3. To change the left side of the digital Probe window, do the following:
 - a. Place the mouse pointer at the left edge of the digital Probe window you want to resize.
 - b. Click the left edge.
 - c. Drag the left edge of the digital Probe window to adjust the space available for displaying digital trace names.

To set the digital plot size using menu options

1. Display at least one digital trace in the plot for which you want to set the digital size.
2. From the Plot menu, choose Digital Size.
3. In the Digital Size dialog box, set the following:
 - Percentage of Plot to be Digital
 - Length of Digital Trace Name
4. Click OK.

Modifying trace expressions and labels

You can modify trace expressions, text labels, and ellipse labels that are currently displayed within the Probe window, thus eliminating the need to delete and recreate any of these objects.

1. To place a label, click Plot, point to Label and then choose the desired type of object you want to place.

Note: You can click *Font* and specify a different font style for each label text.

For information about adding labels (including text, line, poly-line, arrow, box, circle, ellipse, and mark), refer to the online *PSpice Help*.

To modify trace expressions

1. Click the trace name to select it (selection is indicated by a color change).
2. From the Edit menu, choose Modify Object.

Note: You can also double-click the trace name to modify the trace expression.

3. In the Modify Trace dialog box, edit the trace expression just as you would when adding a trace.

For more information on adding traces, see [Adding traces from specific loaded waveform data files](#) on page 736 and [To add traces using output variables](#) on page 768.

To modify text and ellipse labels

1. Click the text or ellipse to select it (selection is indicated by a color change).
2. From the Edit menu, choose Modify Object.

Note: You can also double-click a text or ellipse label to modify it.

3. Edit the label by doing one of the following:
 - In the Ellipse Label dialog box, change the inclination angle.
 - In the Text Label dialog box, change the text label.

To modify default label font

1. Choose *Tools - Options* to open the Probe Settings dialog box
2. Click the *Font Settings* tab.
3. Click *Change Label Font* to open the Font dialog box.
4. Specify the type, style, size, color, and effects.
5. Click *OK*.

You must restart PSpice for the font changes.

Moving and copying trace names and expressions

Trace names and expressions can be selected and moved or copied, either within the same Probe window or to another Probe window.

To copy or move trace names and expressions

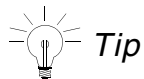
1. Click one or more (*Shift*+click) trace names. Selected trace names are highlighted.
2. From the Edit menu, choose Copy or Cut to save the trace names and expressions to the clipboard. Cut removes trace names and traces from the Probe window.
3. In the Probe window where traces are to be added, do one of the following:

PSpice User Guide

Analyzing waveforms

- ❑ To add trace names to the end of the currently displayed set, choose Paste from the Edit menu.
- ❑ To add traces before a currently displayed trace name, select the trace name and then choose Paste from the Edit menu.

4. Click OK.



When adding a trace to a Probe window, you can make the trace display name different from the trace expression:

- a. From the Trace menu, choose Add Trace.
- b. In the Trace Expression text box, enter a trace expression using the syntax:

```
trace_expression[;display_name]
```

Here are some considerations when copying or moving trace names and expressions into a different Probe window:

- If the new Probe window is reading the same waveform data file, the copied or moved trace names and expressions display traces that are identical to the original selection set.
- If the new Probe window is reading a *different* waveform data file, the copied or moved names and expressions display different traces generated from the new data.

For example, suppose two waveform data files, `MYSIM.DAT` and `YOURSIM.DAT` each contain a `V(2)` waveform. Suppose also that two Probe windows are currently displayed where window A is loaded with `MYSIM.DAT`, and window B is loaded with `YOURSIM.DAT`.

When `V(2)` is copied from window A to window B, the trace looks different because it is determined by data from `YOURSIM.DAT` instead of `MYSIM.DAT`.

Copying and moving labels

Labels can be selected and moved or copied, either within the same Probe window or to another Probe window.

For information about adding labels (including text, line, poly-line, arrow, box, circle, ellipse, and mark), refer to the online *PSpice Help*.

To copy labels

1. Select one or more (*Shift*+click) labels, or select multiple labels by drawing a selection rectangle. Selected labels are highlighted.
2. From the Edit menu, choose Copy or Cut to save the labels to the clipboard.

Cut removes labels from the Probe window.
3. Switch to the Probe window where labels are to be added, and from the Edit menu, choose Paste.
4. Click on the new location to place the labels.

To move labels

1. Select one or more (*Shift*+click) labels, or select multiple labels by drawing a selection rectangle. Selected labels are highlighted.
2. Move the labels by dragging them to a new location.

Tabulating trace data values

You can generate a table of data points reflecting one or more traces in the Probe window and use this information in a document or spreadsheet.

To view the trace data values table

1. Select one or more (*Shift*+click) trace names. Selected trace names are highlighted.
2. From the Edit menu, choose Copy or Cut to save the trace data point values to the Clipboard.

Cut removes traces from the Probe window.
3. In Clipboard Viewer, from the Display menu, choose either Text or OEM Text.

PSpice User Guide

Analyzing waveforms

To export the data points to other applications

1. Select one or more (*Shift+click*) trace names. Selected trace names are highlighted.
2. From the Edit menu, choose Copy or Cut to save the trace data point values to the Clipboard.

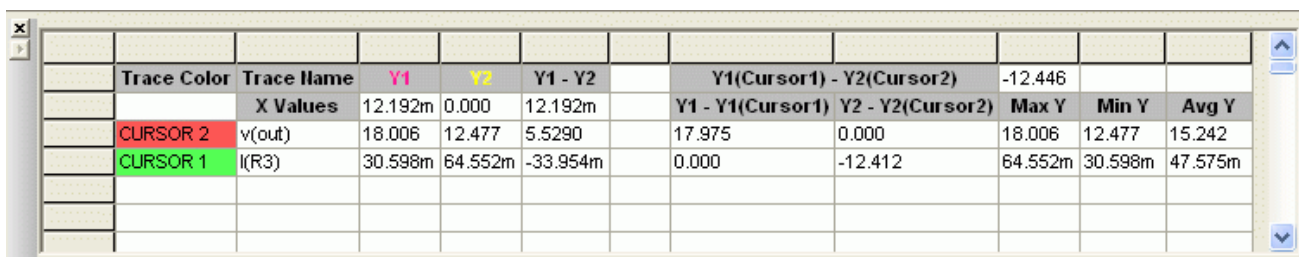
Cut removes traces from the Probe window.
3. Paste the data from the Clipboard into a text editor, a spreadsheet program, or a technical computing program (such as Mathcad).
4. Save the file.

Note: Saving the data directly to a file from Clipboard Viewer can create superfluous data at the beginning of the file.

Using cursors

When one or more traces are displayed, you can use cursors to display the exact coordinates of two points on the same trace, or points on two different traces. In addition, differences are shown between the corresponding coordinate values for the two cursors.

The cursor information is shown in a dockable cursor window. The cursor window displays the trace name, trace color, and the different Y-axis values, including differences on the Y-axis of cursor values.



Trace Color	Trace Name	Y1	Y2	Y1 - Y2	Y1(Cursor1) - Y2(Cursor2)					
	X Values				Y1 - Y1(Cursor1)	Y2 - Y2(Cursor2)	Max Y	Min Y	Avg Y	
CURSOR 2	v(out)	18.006	12.477	5.5290	17.975	0.000	18.006	12.477	15.242	
CURSOR 1	I(R3)	30.598m	64.552m	-33.954m	0.000	-12.412	64.552m	30.598m	47.575m	



You can select *Show nondockable (old) cursor window* in the Cursor Settings tab of the Probe Settings dialog box to change to the non-dockable cursor window. You can also check *Show cursor window when cursor is off* to manage the display of the cursor window.

Displaying cursors

To display both cursors

1. Choose *Trace – Cursor – Display*.

The Probe Cursor window appears, showing the current position of the cursor on the x-axis and y-axis. As you move the cursors, the values in the cursor box change. You can move the cursor box anywhere over the Probe window by dragging the box to another location.

In the analog area of the plot (if any), both cursors are initially placed on the trace listed first in the trace legend. The corresponding trace symbol is outlined with a dashed line.

In the digital area of the plot (if any), both cursors are initially placed on the trace named first along the y-axis. The corresponding trace name is outlined with a dashed line.

Moving cursors

To move cursors along a trace using menu commands

1. Choose *Trace – Cursor*, then choose *Peak, Trough, Slope, Min, Max, Point, or Search*.

For more information about the cursor commands, refer to the online *PSpice Help*.

To move cursors along a trace using the mouse

1. Use the right and left mouse buttons as described in Table [17-8](#) below.

Table 17-8 Mouse actions for cursor control

Click this...	To do this with the cursors...
cursor assignment	
Left-click the analog trace symbol or digital trace name.	Associate the first cursor with the selected trace.
Right-click the analog trace symbol or digital trace name.	Associate the second cursor with the selected trace.
cursor movement	
Left-click in the display area.	Move the first cursor to the closest trace segment at the X position.
Right-click in the display area.	Move the second cursor to the closest trace segment at the X position.

Note: For a family of curves (such as from a nested DC sweep), you can use the mouse or the arrow keys to move the cursor to one of the other curves in the family. You can also click the desired curve.

To move cursors along a trace using the keyboard

1. Use key combinations as described in Table [17-9](#) below.

Table 17-9 Key combinations for cursor control

Use this key combination...	To do this with the cursors...
<i>Ctrl</i> +Left arrow key and <i>Ctrl</i> +Right arrow key	Change the trace associated with the first cursor.
<i>Shift</i> + <i>Ctrl</i> +Left arrow key and <i>Shift</i> + <i>Ctrl</i> +Right arrow key	Change the trace associated with the second cursor.

Table 17-9 Key combinations for cursor control, *continued*

Us this key combination...	To do this with the cursors...
Left arrow key and Right arrow key	Move the first cursor along the trace.
<i>Shift</i> +Left arrow key and <i>Shift</i> +Right arrow key	Move the second cursor along the trace.
<i>Home</i>	Move the first cursor to the beginning of the trace.
<i>Shift</i> + <i>Home</i>	Move the second cursor to the beginning of the trace.
<i>End</i>	Move the first cursor to the end of the trace.
<i>Shift</i> + <i>End</i>	Move the second cursor to the end of the trace.

Applying cursors to a different trace

If you want to apply the cursors to a different trace, click the trace symbol in the plot legend for the trace you want to change to.

If you are displaying a large number of traces, and the symbol is not shown for the trace you want to apply the cursors to, you can apply the cursors to that trace in one of the following ways:

To apply the cursors to a different trace

1. Click in the cursor box to freeze the cursor locations on the current trace.
2. After freezing the cursor locations, right-click on the new trace you want to apply the cursors to.

- or -

1. From the Trace menu, choose Cursor, then choose Freeze to freeze the cursor locations on the current trace.

PSpice User Guide

Analyzing waveforms

2. After freezing the cursor locations, right-click on the new trace you want to apply the cursors to.

- or -

1. Press and hold the *Shift* key while right-clicking on the new trace you want to apply the cursors to.

For more information about the cursor commands, refer to the online *PSpice Help*.

Changing cursor properties

1. Open the Probe Settings dialog box
2. In the Cursor Settings tab, specify the width and color for the cursors.

The cursor color is affected by the background color of the PSpice probe window . As a result, you might see the cursors with a different color in the probe window. However, the colors are updated in the Cursor Settings tab also. Close the Probe Settings dialog box and open it again to view the changed color.

Dumping and copying cursor information

To dump cursor:

1. Display the Cursor window
2. Right-click in the window and choose *Dump to CSV File*

You can now open the CSV file location by choosing *File – Open File Location*. The CSV file can be opened using tools such as Microsoft Excel.

To copy cursor values:

1. Select the cursor values that you want to copy in the cursor window.
2. Right-click and choose *Copy*.
3. Open any text editor and paste the content from clipboard.

Example: using cursors

Figure 17-11 shows both cursors positioned on the Out signal in the digital area of a plot, and both cursors on the V(1) waveform in the analog area of the plot.

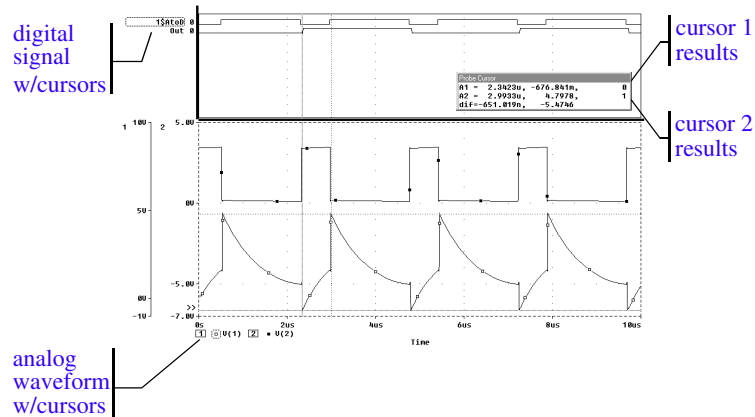


Figure 17-11 Cursors positioned on a trough and peak of V(1)

Cursor 1 is positioned on the first trough (dip) of the V(1) waveform. Cursor 2 is positioned on the second peak of the same waveform.

Note: To position a cursor on the next trough of a waveform, from the Trace menu, point to Cursor, then choose Trough. To position a cursor on the next peak of a waveform, from the Trace menu, point to Cursor, then choose Peak.

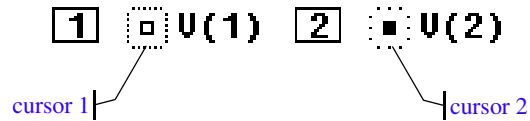
In the Probe Cursor window, cursor 1 and cursor 2 coordinates are displayed (A1 and A2, respectively) with their difference shown in the bottom line (dif). The logic state of the Out signal is also displayed to the right of the cursor coordinates.

The mouse buttons are also used to associate each cursor with a different trace by clicking appropriately on either the analog trace symbol in the legend or on the digital trace name (see Table 17-8 on page 760). These are outlined in the pattern corresponding to the associated cursor's crosshair pattern. Given the example in Figure

PSpice User Guide

Analyzing waveforms

17-11, right-clicking the V(2) symbol will associate cursor 2 with the V(2) waveform. The analog legend now appears as shown below.



The Probe Cursor window also updates the A2 coordinates to reflect the X and Y values corresponding to the V(2) waveform.

For more information about cursors, refer to the online *PSpice Help*.

Tracking digital simulation messages

PSpice A/D provides explanatory messages for errors that occur during a digital simulation with their corresponding waveforms. You can view messages from:

- the Simulation Message Summary dialog box, or
- the waveform display.

See [Simulation condition messages](#) on page 648 for information on the message types that can be displayed by PSpice A/D.

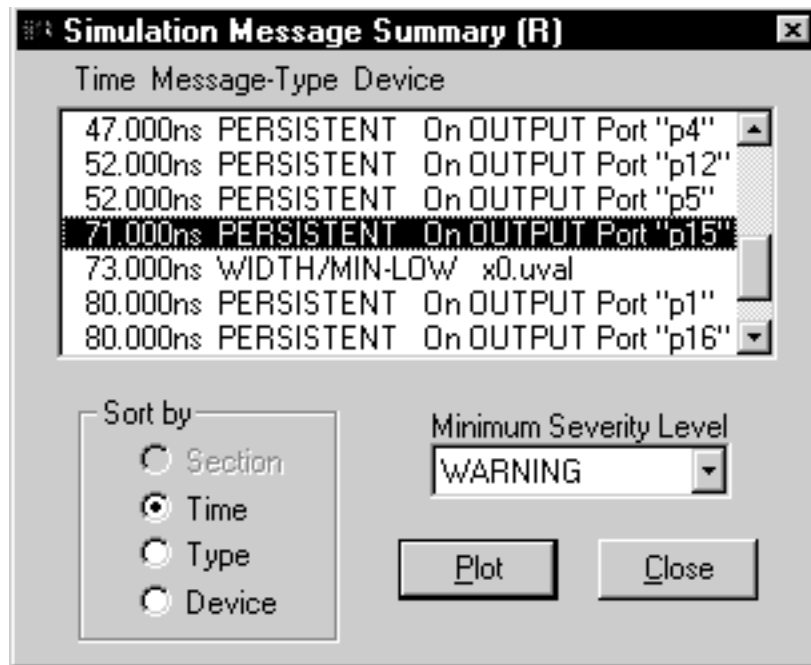
Message tracking from the message summary

A message summary is available for simulations where diagnostics have been logged to the waveform data file. You can display the message summary:

- When loading a waveform data file (click OK when the Simulation Errors dialog box appears).
- Anytime by choosing Simulation Messages from the View menu.

The Simulation Message Summary dialog box

The Simulation Message Summary dialog box lists message header information.



You can filter the messages displayed in the list by selecting a severity level from the Minimum Severity Level drop-down menu. Messages are categorized (in decreasing order of severity) as FATAL, SERIOUS, WARNING, or INFO (informational).

When you select a severity level, the Message Summary displays only those messages with the chosen severity *or higher*. By default, the minimum severity level displayed is SERIOUS.

Example: If you select WARNING as the minimum severity level, the Simulation Message Summary dialog box will display WARNING, SERIOUS, and FATAL messages.

To display waveforms associated with messages

1. In the Simulation Message Summary dialog box, double-click a message.

PSpice User Guide

Analyzing waveforms

For most message conditions, a Probe window appears that contains the waveforms associated with the simulation condition, along with detailed message text.

Persistent hazards

If a PERSISTENT HAZARD message is displayed, two plots appear (see Figure 17-12), containing the following:

- the waveforms that initially caused the timing violation or hazard (lower plot)
- the primary outputs or internal state devices to which the condition has propagated (upper plot)

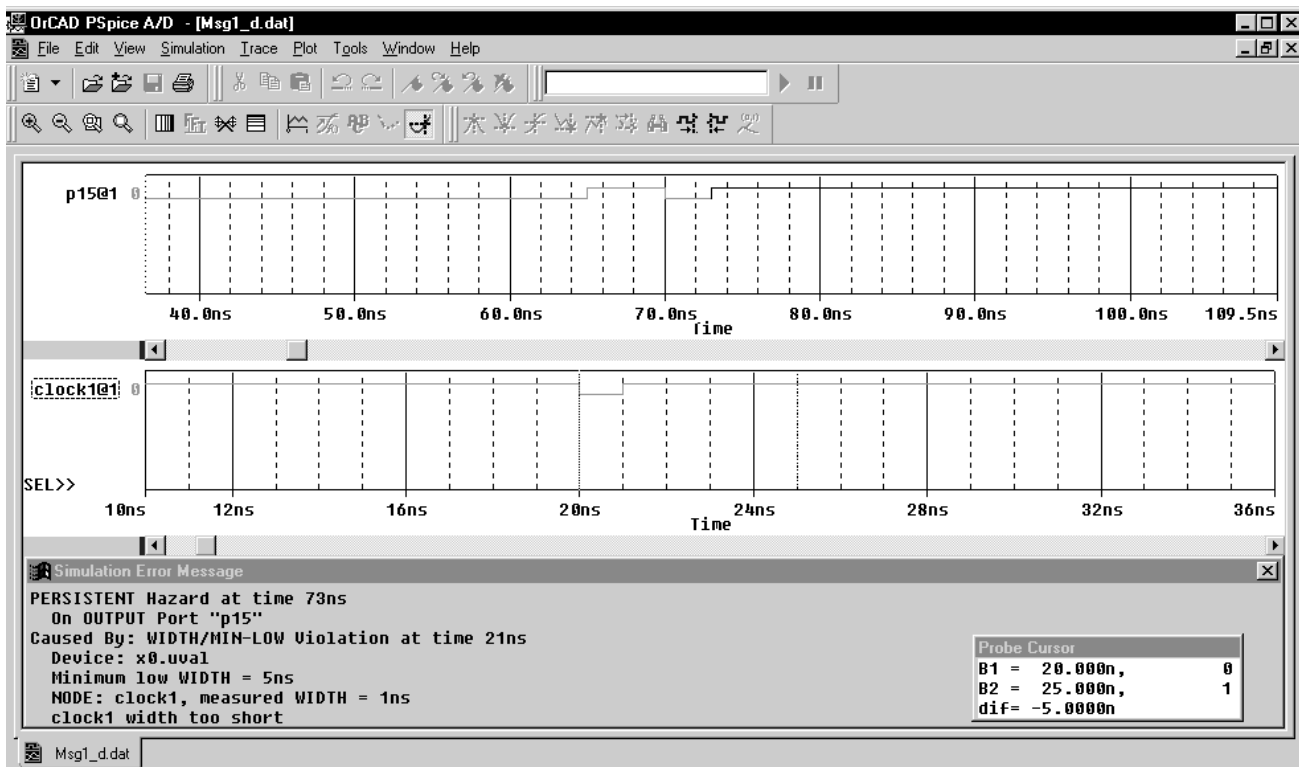


Figure 17-12 Waveform display for a persistent hazard.

Message tracking from the waveform

Trace segments with associated diagnostics are displayed in the foreground color specified in your `PSPICE.INI` file. This color is different from those used for standard state transitions.

To display explanatory message text

1. Double-click within the tagged region of a trace.

Trace expressions

Traces are referred to by output variable names. Output variables are similar to the PSpice output variables specified in the Simulation Settings dialog box for noise, Monte Carlo, worst-case, transfer function, and Fourier analyses. However, there are additional alias forms that are valid for trace expressions. Both forms are discussed here.

To add traces using output variables

1. From the Trace menu, choose Add Trace to display the Add Traces dialog box.
2. Construct a trace expression using any combination of these controls:

- In the Simulation Output Variables frame, click output variables.

You can display a subset of the available simulation output variables by selecting or clearing the variable type check boxes in the Simulation Output Variables frame. Variable types not generated by the circuit simulation are dimmed.

- In the Functions or Macros frame, select operators, functions, constants, or macros.
- In the Trace Expression text box, type in or edit output variables, operators, functions, constants, or macros.

PSpice User Guide

Analyzing waveforms

For more information about trace expressions, see [Analog trace expressions](#) on page 779 and [Digital trace expressions](#) on page 782.

3. If you want to change the name of the trace expression as it displays in the Probe window, use the following syntax:

trace expression; display name

4. Click OK.

Basic output variable form

This form is representative of those used for specifying some PSpice analyses.

<output>[AC suffix](<name>[,name])

Table 17-10

This placeholder...	Means this...
<i><output></i>	type of output quantity: V for voltage or I for current (digital values do not require a prefix)
<i>[AC suffix]*</i>	quantity to be reported for an AC analysis. For a list of valid AC suffixes, see Table 17-14 on page 774

Table 17-10

This placeholder...	Means this...
<code><name>[,name]</code>	<p>specifies either the <i>net</i> or (+ <i>net</i>, - <i>net</i>) pair for which the voltage is to be reported, or the <i>device</i> for which a current is reported, where:</p> <ul style="list-style-type: none">■ <i>net</i> specifies either the <i>net</i> or <i>pin id</i> (<i><fully qualified device name>:<pin name></i>)■ <i>device name</i> specifies the fully qualified device name; for a list of device types, see Table 17-15 on page 776 and Table 17-16 on page 776 <p>A fully qualified device name consists of the full hierarchical path followed by the device's reference designator. For information about the syntax for voltage output variables, see Voltage on page 426.</p>

Output variable form for device terminals

This form can only be specified for trace expressions. The primary difference between this and the basic form is that the terminal symbol appears before the *net* or *device name* specification (whereas the basic form treats this as the *pin name* within the *pin id*).

`<output>[terminal]*[AC suffix](<name>[,name])`

Table 17-11

This placeholder...	Means this...
<code><output></code>	type of output quantity: V for voltage, I for current, or N for noise (digital values do not require a prefix)
<code>[terminal]*</code>	one or more terminals for devices with more than two terminals; for a list of terminal IDs, see Table 17-16 on page 776
<code>[AC suffix]*</code>	quantity to be reported for an AC analysis; for a list of valid AC suffixes, see Table 17-14 on page 774
<code><name>[,<name>])</code>	<i>net</i> , <i>net</i> pair, or fully qualified <i>device name</i> ; for a list of device types, see Table 17-15 on page 776 and Table 17-16 on page 776

[Table 17-12](#) on page 772 summarizes the valid output formats. [Table 17-13](#) on page 774 provides examples of equivalent output

PSpice User Guide

Analyzing waveforms

variables. Note that some of the output variable formats are unique to trace expressions.

Table 17-12 Output variable formats

Format	Meaning
Voltage variables	
V[ac](<i>< +analog net ></i> [, <i>< -analog net ></i>])	Voltage between + and - <i>analog net ids</i>
V< <i>pin name</i> >[ac](<i>< device ></i>)	Voltage at <i>pin name</i> of a <i>device</i>
V< <i>x</i> >[ac](<i>< 3 or 4-terminal device ></i>)	Voltage at non-grounded terminal <i>x</i> of a <i>3 or 4-terminal device</i>
V< <i>z</i> >[ac](<i>< transmission line device ></i>)	Voltage at end <i>z</i> of a <i>transmission line device</i> (<i>z</i> is either <i>A</i> or <i>B</i>)
Current variables	
I[ac](<i>< device ></i>)	Current into a <i>device</i>
I< <i>x</i> >[ac](<i>< 3 or 4-terminal device ></i>)	Current into terminal <i>x</i> of a <i>3 or 4-terminal device</i>
I< <i>z</i> >[ac](<i>< transmission line device ></i>)	Current into end <i>z</i> of a <i>transmission line device</i> (<i>z</i> is either <i>A</i> or <i>B</i>)
Digital signal and bus variables	
< <i>digital net</i> >[; <i>< display name ></i>]	Digital state at <i>digital net</i> labeled as <i>display name</i>

Table 17-12 Output variable formats, *continued*

Format	Meaning
{< <i>digital net</i> >}[;< <i>display name</i> >] [;< <i>radix</i> >]	Digital bus labeled as <i>display name</i> and of specified <i>radix</i>
Sweep variables	
< <i>DC sweep variable</i> >	name of any variable used in the DC sweep analysis
FREQUENCY	AC analysis sweep variable
TIME	transient analysis sweep variable
Noise variables	
V[db](ONoise)	total RMS-summed noise at output net
V[db](INoise)	total equivalent noise at input source
NTOT(ONoise)	sum of all noise contributors in the circuit
N< <i>noise type</i> >(< <i>device name</i> >)	contribution from <i>noise type</i> of <i>device name</i> to the total output noise ¹

1. See [Table 17-17](#) on page 777 for a complete list of noise types by device type. For information about noise output variable equations, the units used to represent noise quantities in trace expressions, and a noise analysis example, see [Analyzing Noise in the Probe window](#) on page 511.

Table 17-13 Examples of output variable formats

A basic form	An alias equivalent	Meaning
V(NET3,NET2)	(same)	voltage between analog nets labeled NET3 and NET2
V(C1:1)	V1(C1)	voltage at pin1 of capacitor C1
VP(Q2:B)	VBP(Q2)	phase of voltage at base of bipolar transistor Q2
V(T32:A)	VA(T32)	voltage at port A of transmission line T32
I(M1:D)	ID(M1)	current through drain of MOSFET device M1
QA	(same)	digital state at net QA
{IN1, IN2, IN3}; MYBUS;X	(same)	digital bus made of 3 digital nets (IN1, IN2, IN3) named MYBUS displayed in hexadecimal
VIN	(same)	voltage source named VIN
FREQUENCY	(same)	AC analysis sweep variable
NFID(M1)	(same)	flicker noise from MOSFET M1

Table 17-14 Output variable AC suffixes

Suffix	Meaning of output variables
none	magnitude
DB	magnitude in decibels
G	group delay ($-dPHASE/dFREQUENCY$)
I	imaginary part
M	magnitude
P	phase in degrees

Table 17-14 Output variable AC suffixes

Suffix	Meaning of output variables
R	real part

Table 17-15 Device names for two-terminal device types

Two-terminal device type¹	Device type letter
capacitor	C
diode	D
voltage-controlled voltage source ²	E
current-controlled current source ²	F
voltage-controlled current source ²	G
current-controlled voltage source ²	H
independent current source	I
inductor	L
resistor	R
voltage-controlled switch ²	S
independent voltage source	V
current-controlled switch ²	W

1. The pin name for two-terminal devices is either 1 or 2.
2. The controlling inputs for these devices are not considered terminals.

Table 17-16 Terminal IDs by three & four-terminal device type

Three & four-terminal device type	Device type letter	Terminal IDs
GaAs MOSFET	B	D (drain) G (gate) S (source)
Junction FET	J	D (drain) G (gate) S (source)

PSpice User Guide
Analyzing waveforms

Table 17-16 Terminal IDs by three & four-terminal device type

Three & four-terminal device type	Device type letter	Terminal IDs
MOSFET	M	D (drain) G (gate) S (source) B (bulk, substrate)
Bipolar transistor	Q	C (collector) B (base) E (emitter) S (substrate)
transmission line	T	A (<i>near</i> side) B (<i>far</i> side)
IGBT	Z	C (collector) G (gate) E (emitter)

Table 17-17 Noise types by device type

Device type	Noise types ¹	Meaning
B (GaAsFET)	FID	flicker noise
	RD	thermal noise associated with RD
	RG	thermal noise associated with RG
	RS	thermal noise associated with RS
	SID	shot noise
	TOT	total noise
D (diode)	FID	flicker noise
	RS	thermal noise associated with RS
	SID	shot noise
	TOT	total noise

PSpice User Guide
Analyzing waveforms

Table 17-17 Noise types by device type

Digital Input	RHI	thermal noise associated with RHI
	RLO	thermal noise associated with RLO
	TOT	total noise
Digital Output	TOT	total noise
J (JFET)	FID	flicker noise
	RD	thermal noise associated with RD
	RG	thermal noise associated with RG
	RS	thermal noise associated with RS
	SID	shot noise
	TOT	total noise
M (MOSFET)	FID	flicker noise
	RB	thermal noise associated with RB
	RD	thermal noise associated with RD
	RG	thermal noise associated with RG
	RS	thermal noise associated with RS
	TOT	total noise
Q (BJT)	FIB	flicker noise
	RB	thermal noise associated with RB
	RC	thermal noise associated with RC
	RE	thermal noise associated with RE
	SIB	shot noise associated with base current
	SIC	shot noise associated with collector current
	TOT	total noise
R (resistor)	TOT	total noise
Iswitch	TOT	total noise
Vswitch	TOT	total noise

1. These variables report the contribution of the specified device's noise to the total output noise in units of V^2/Hz . This means that the sum of all device noise contributions is equal to the total output noise in V^2/Hz , $NTOT(ONoise)$.

Analog trace expressions

Trace expression aliases

Analog trace expressions vary from the output variables used in simulation analyses because analog net values can be specified by:

<output variable>[;display name]

as opposed to the *<output variable>* format used in analyses. With this format, the analog trace expression can be displayed in the analog legend with an optional alias.

Arithmetic functions

Arithmetic expressions of analog output variables use the same operators as those used in simulation analyses (by means of part property definitions in Capture). You can also include intrinsic functions in expressions. The intrinsic functions available for trace expressions are similar to those available for PSpice math expressions, but with some differences, as shown in [Table 17-18](#). A complete list of PSpice arithmetic functions can be found in [Table 3-4](#) on page 164.

Table 17-18 Analog arithmetic functions for trace expressions

Probe function	Description	Available in PSpice?
ABS(x)	x	YES
SGN(x)	+1 (if x>0), 0 (if x=0), -1 (if x<0)	YES
SQRT(x)	$x^{1/2}$	YES
EXP(x)	e^x	YES
LOG(x)	$\ln(x)$	YES
LOG10(x)	$\log(x)$	YES
M(x)	magnitude of x	YES
P(x)	phase of x (degrees)	YES
R(x)	real part of x	YES

PSpice User Guide
Analyzing waveforms

Table 17-18 Analog arithmetic functions for trace expressions,

Probe function	Description	Available in PSpice?
IMG(x)	imaginary part of x	YES
G(x)	group delay of x (seconds)	NO
PWR(x,y)	$ x ^y$	YES
SIN(x)	$\sin(x)$	YES
COS(x)	$\cos(x)$	YES
TAN(x)	$\tan(x)$	YES
ATAN(x)	$\tan^{-1}(x)$	YES
ARCTAN(x))	
d(x)	derivative of x with respect to the x-axis variable	YES ¹
s(x)	integral of x over the range of the x-axis variable	YES ²
AVG(x)	running average of x over the range of the x-axis variable	NO
AVGX(x,d)	running average of x from X_axis_value(x)-d to X_axis_value(x)	NO
RMS(x)	running RMS average of x over the range of the x-axis variable	NO
DB(x)	magnitude in decibels of x	NO
MIN(x)	minimum of the real part of x	NO
MAX(x)	maximum of the real part of x	NO
ENVMIN(x, d)	Envelope of x. Valley lows selected have a minimum number of d consecutive datapoints.	NO

PSpice User Guide

Analyzing waveforms

Table 17-18 Analog arithmetic functions for trace expressions,

Probe function	Description	Available in PSpice?
ENVMAX(x, d)	Envelope of x. Peaks selected have a minimum number of d consecutive datapoints.	NO

1. In PSpice, this function is called DDT(x).
2. In PSpice, this function is called SDT(x).

Note: For AC analysis, PSpice uses complex arithmetic to evaluate trace expressions. If the result of the expression is complex, then its magnitude is displayed.

Rules for numeric values suffixes

Explicit numeric values are entered in trace expressions in the same form as in simulation analyses (by means of part properties in Capture), with the following exceptions:

- Suffixes M and MEG are replaced with m (milli, 1E-3) and M (mega, 1E+6), respectively.
- MIL and mil are not supported.
- With the exception of the m and M scale suffixes, PSpice is not case sensitive; therefore, upper and lower case characters are equivalent.

Example: V(5) and v(5) are equivalent in trace expressions.

Unit suffixes are *only* used to label the axis; they never affect the numerical results. Therefore, it is always safe to leave off a unit suffix.

Example: The quantities 2e-3, 2mV, and .002v all have the same numerical value. For axis labeling purposes, PSpice recognizes that the second and third forms are in volts, whereas the first is dimensionless.

PSpice also knows that $W=V \cdot A$, $V=W/A$, and $A=W/V$. So, if you add this trace:

V(5)*ID(M13)

the axis values are labeled with W.

For a demonstration of analog trace presentation, see [Analog example](#) on page 740

The units to use for trace expressions are shown in Table 17-19.

Table 17-19 Output units for trace expressions

Symbol	Unit
V	volt
A	amps
W	watt
d	degree (of phase)
s	second
Hz	hertz

Digital trace expressions

Digital output variables in trace expressions vary from those used in simulation analyses as follows:

- Digital net values are specified by:

<digital net>[;display name]

as opposed to the *<digital net>* format used for analyses. With this format, the digital signal can be displayed on the digital plot with an optional alias.

- The output from several digital nets can be collected into a single output of higher radix known as a bus.

Example: You can request that four bus lines be displayed together as one hexadecimal digit. You can combine up to 32 digital signals into a bus.

PSpice User Guide

Analyzing waveforms

A bus is formed by enclosing a list of digital net names (separated by blanks or commas) within braces according to the format:

```
{<high-order net> [mid-order net]* <low-order net>}
```

The elements of the bus definition, taken left to right, specify the output values of the bus from high order to low order.

Example: { Q2, Q1, Q0 } specifies a 3-bit bus whose high-order bit is the digital value at net Q2.

By definition, a *digital signal* is any digital net value or a logical expression involving digital nets. For the digital output variable formats described earlier, you can use a digital signal expression everywhere a net name is expected. You can also form buses into expressions using both logical and arithmetic operators.

As a result, the generalized form for defining a digital trace is:

```
<digital trace expression> [;display name [;radix]]
```

Exception: You can display your radix designation option with the digital trace expression by leaving the display name blank and using the following syntax:

```
digital trace expression;;radix
```

Table 17-20

This placeholder...	Means this...
<i>digital trace expression</i>	expression of digital buses or digital signals.
<i>display name</i>	name that will be displayed on the screen; if no display name is specified, the actual trace expression is used; if a display name is given, it is available for use in subsequent trace definitions.

Table 17-20

This placeholder...	Means this...
<i>radix</i>	applies only to bus expressions and denotes the radix in which the bus value is to be displayed; the radix is specified as: H or X hexadecimal (default) D decimal O octal B binary

Table [17-21](#) presents the operators available for digital signal and bus expressions listed in order of precedence (high to low).

Table 17-21 Digital logical and arithmetic operators

Operator	Meaning
()	grouping
~	logical complement
*	multiplication (bus values only)
/	division (bus values only)
+	addition (bus values only)
-	subtraction (bus values only)
&	and
^	exclusive or
	or

An arithmetic or logical operation between two bus operands results in a bus value that is as wide as is necessary to contain the result. Prior to the operation, if necessary, the shorter operand is extended to the width of the longer operand by zero-filling on the high-order end.

PSpice User Guide

Analyzing waveforms

An arithmetic or logical operation between a bus operand and a signal operand results in a bus value. Prior to the operation, the signal is converted to a bus of width one, then extended if necessary.

You can use signal constants in signal expressions. Specify them as shown in Table 17-22.

Table 17-22 Signal constants for digital trace expressions

Signal Constant	Meaning
'0	low
'1	high
'F	falling
'R	rising
'X	unknown
'Z	high impedance

You can use bus constants in bus expressions. Specify them as strings of the form:

r'ddd

Table 17-23

This placeholder...	Means this...
<i>r</i>	case-insensitive radix specifier (x, h, d, o, or b)
<i>ddd</i>	string of digits appropriate to the specified radix

Table 17-24 Example notations for bus constants:

This notation...	Has this radix...
x'3FFFF	hexadecimal
h'5a	hexadecimal

PSpice User Guide

Analyzing waveforms

Table 17-24 Example notations for bus constants:

This notation...	Has this radix...
d'79	decimal
o'177400	octal
b'100110	binary

For a procedural discussion of digital trace expressions, see [Analyzing results](#) on page 639 in the [Digital simulation](#) chapter.

For a discussion and demonstration of digital trace presentation, complete the [Mixed analog/digital tutorial](#) on page 744.

Measurement expressions

Chapter overview

This chapter describes how to put together measurement expressions using the measurement definitions included with PSpice¹. The *Power Users* section includes instructions on how to compose your own measurement definitions.

- [Measurements overview](#) on page 788
- [Measurement strategy](#) on page 789
- [Procedure for creating measurement expressions](#) on page 790
- [Example](#) on page 792
- [For power users](#) on page 802

1. Depending on the license available, you will access either PSpice or PSpice Simulator.

Measurements overview

Measurement expressions evaluate the characteristics of a waveform. A measurement expression is made by choosing the waveform and the waveform calculation you want to evaluate.

The waveform calculation is defined by a measurement definition such as rise time, bandpass bandwidth, minimum value, and maximum value.

For example, if you want to measure the risetime of your circuit output voltage, use the following expression:

Risetime(v(out))

For a list of the PSpice measurement definitions, see [Measurement definitions included in PSpice](#) on page 799.

You can also create your own custom measurement definitions. See [Creating custom measurement definitions](#) on page 802 in the Power Users section of this chapter.

Measurement strategy

- Start with a circuit created in design entry tool¹ and a working PSpice simulation.
- Decide what you want to measure.
- Select the measurement definition that matches the waveform characteristics you want to measure.
- Insert the output variable (whose waveform you want to measure) into the measurement definition, to form a measurement expression.
- Test the measurement expression.

1. In this guide, design entry tool is used for both OrCAD Capture and Design Entry HDL. Any differences between the two tools is mentioned, if necessary.

Procedure for creating measurement expressions

Setup

Before you create a measurement expression:


1. Design a circuit in a design entry tool.
2. Set up a PSpice simulation:
 - Time Domain (transient)
 - DC Sweep
 - AC Sweep/Noise
3. Run the circuit in PSpice.

Make sure the circuit is valid and you have the results you expect.

Composing a measurement expression

These steps show you how to create a measurement expression in PSpice.

First select a measurement definition, and then select output variables to measure. The two combined become a measurement expression.

Work in the Simulation Results view in PSpice. In the side toolbar, click on .

1. From the Trace menu in PSpice, select *Measurements*.
The *Measurements* dialog box appears.
2. Select the measurement definition you want to evaluate.
3. Click *Eval* (evaluate).

The *Arguments for Measurement Evaluation* dialog box appears.

4. Click the *Name of trace to search* button.

The *Traces for Measurement Arguments* dialog box appears.

Note: You will only be using the Simulation Output Variables list on the left side. Ignore the Functions or Macros list.

5. Uncheck the output types you don't need (if you want to simplify the list).

6. Click on the output variable you want to evaluate.

The output variable appears in the *Trace Expression* field.

7. Click *OK*.

The *Arguments for Measurement Evaluation* dialog box reappears with the output variable you chose in the *Name of trace to search* field.

8. Click *OK*.

Your new measurement expression is evaluated and displayed in the PSpice window.

9. Click *OK* in the *Display Measurement Evaluation* pop-up box to continue working in PSpice.

Your new measurement expression is saved, but it no longer displays in the window. The only way to get another graphical display is to redo these steps.

You can see a numerical evaluation by following the next steps.

Viewing the results of measurement evaluations

1. From the *View* menu in PSpice, select *Measurement Results*.


The *Measurement Results* table displays below the plot window.

2. Click the box in the *Evaluate* column.

The PSpice calculation for your measurement expression appears in the *Value* column.

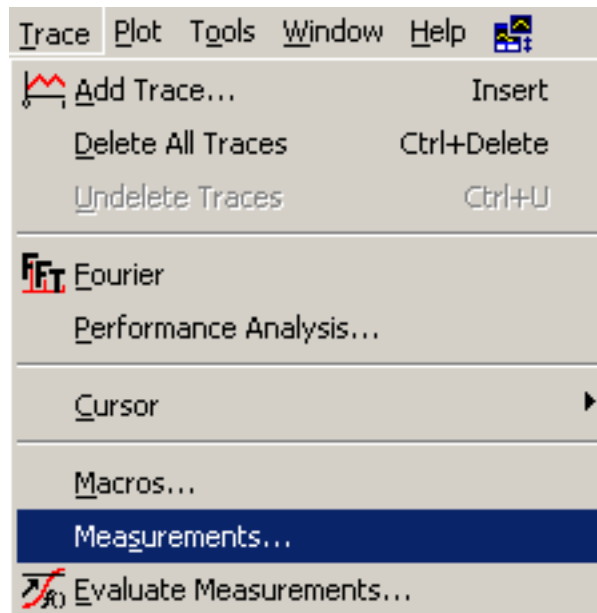
Example

First you select a measurement definition, and then you select an output variable to measure. The two combined become a measurement expression.

Work in the Simulation Results view in PSpice. In the side toolbar, click on .

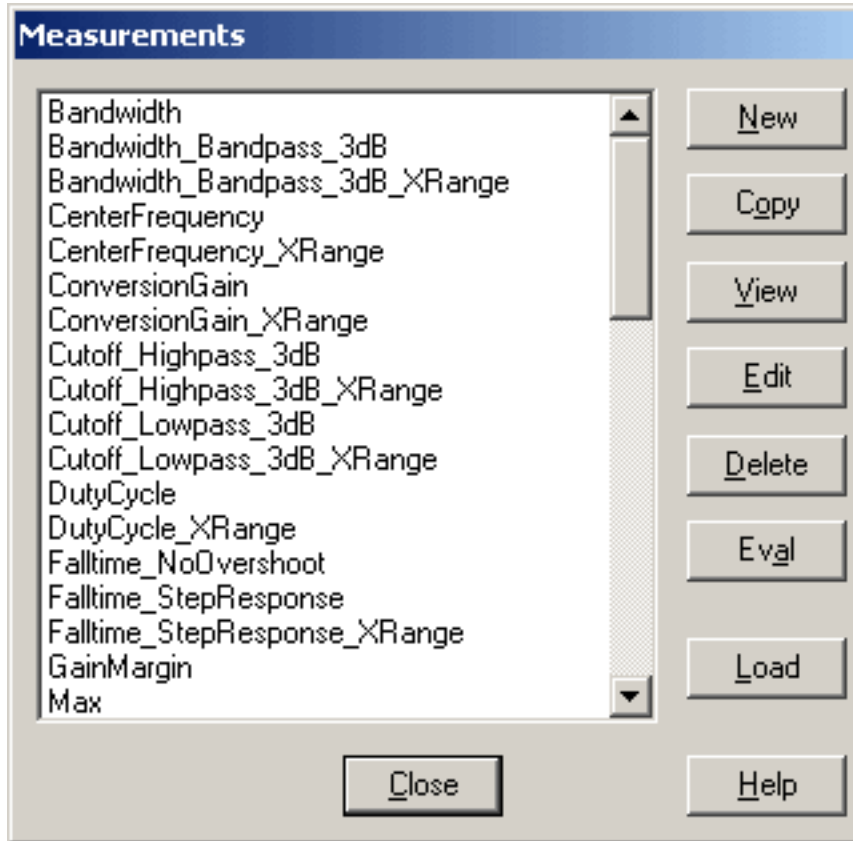
1. From the *Trace* menu in PSpice, select Measurements.

The Measurements dialog box appears.



2. Select the measurement definition you want to evaluate.

3. Click *Eval* (evaluate).



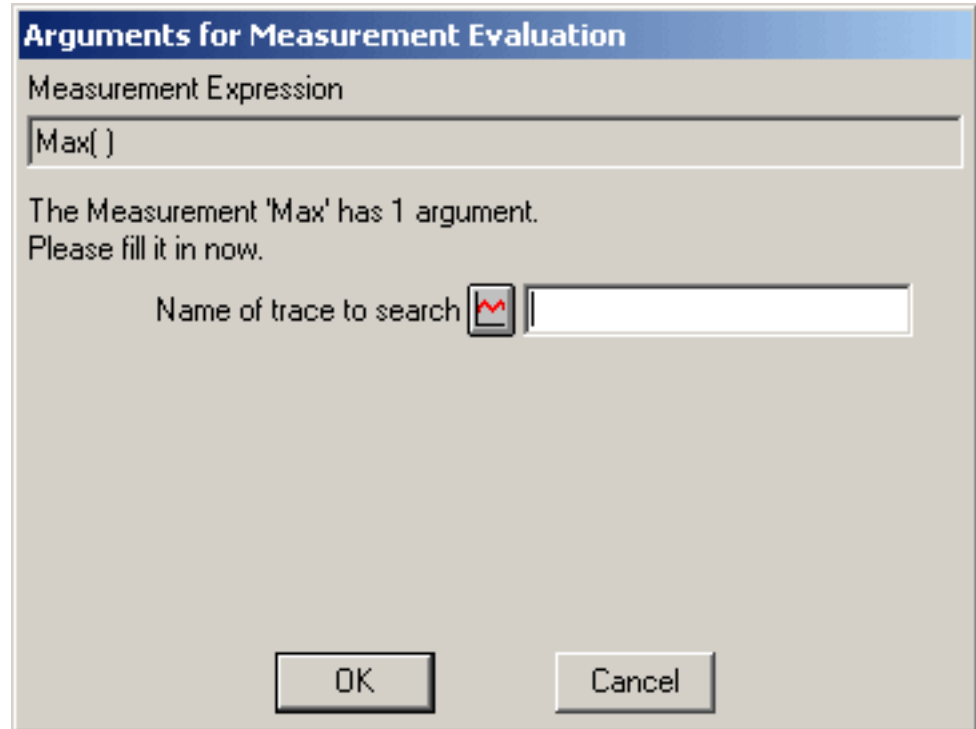
The *Arguments for Measurement Evaluation* dialog box appears.

4. Click the *Name of trace to search* button.

PSpice User Guide

Measurement expressions

The *Traces for Measurement Arguments* dialog box appears.

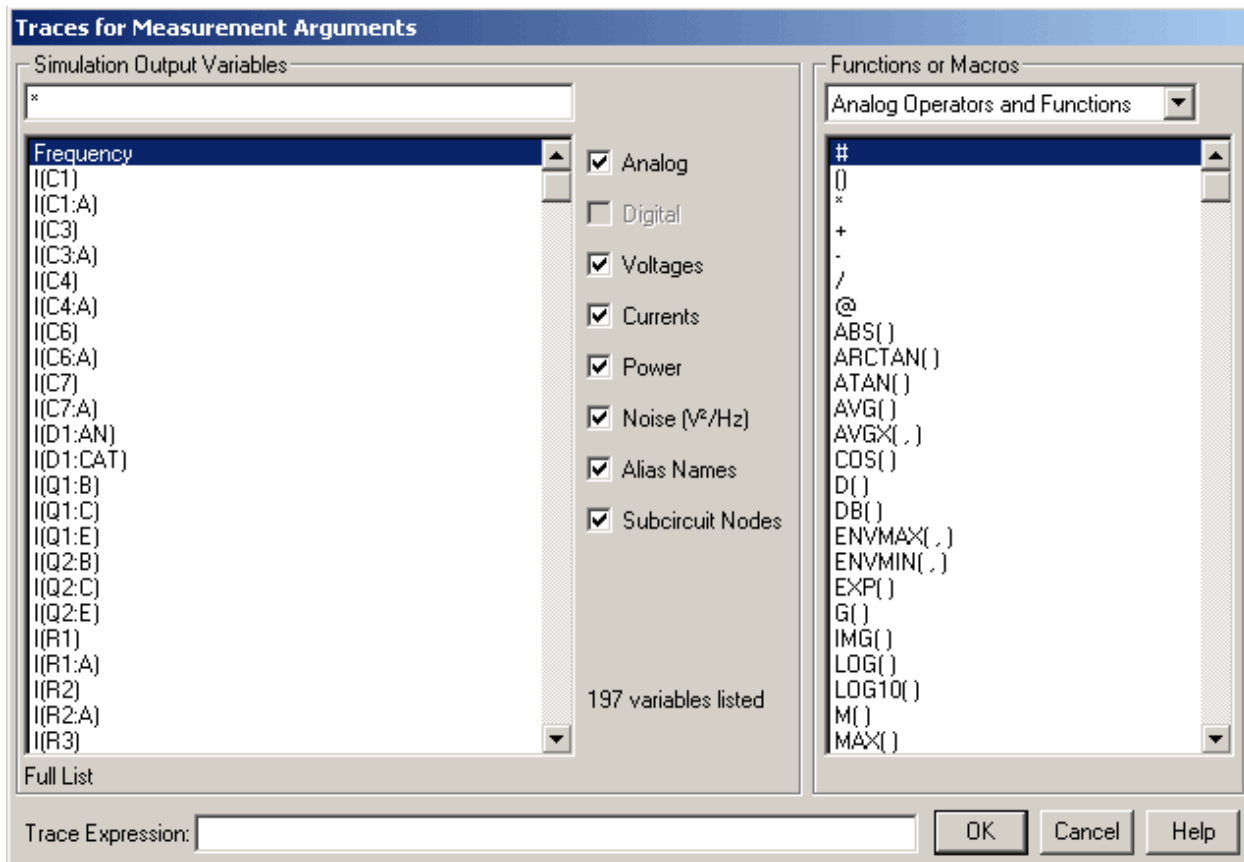


Note: You will only be using the Simulation Output Variables list

PSpice User Guide

Measurement expressions

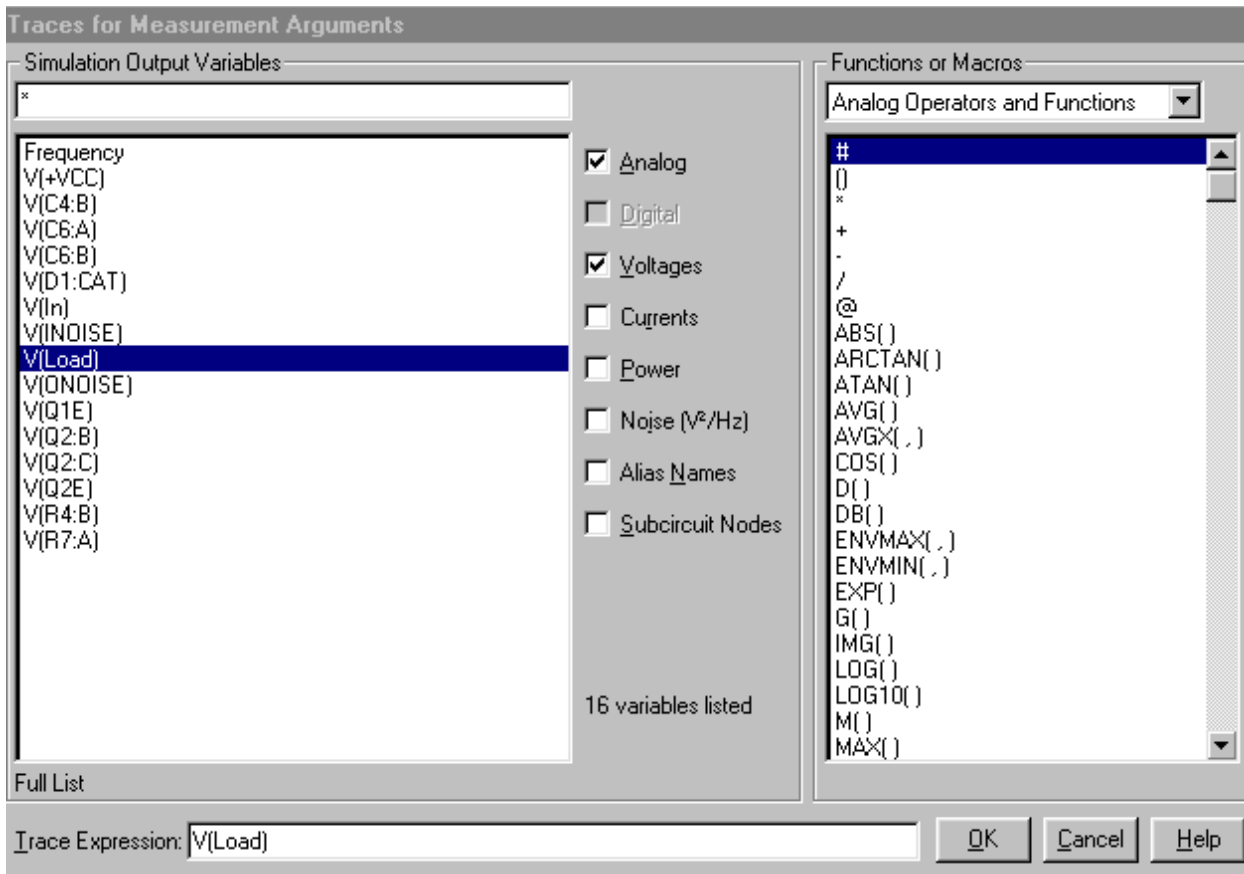
on the left side. Ignore the Functions or Macros list.



PSpice User Guide

Measurement expressions

5. Uncheck the output types you don't need (if you want to simplify the list).

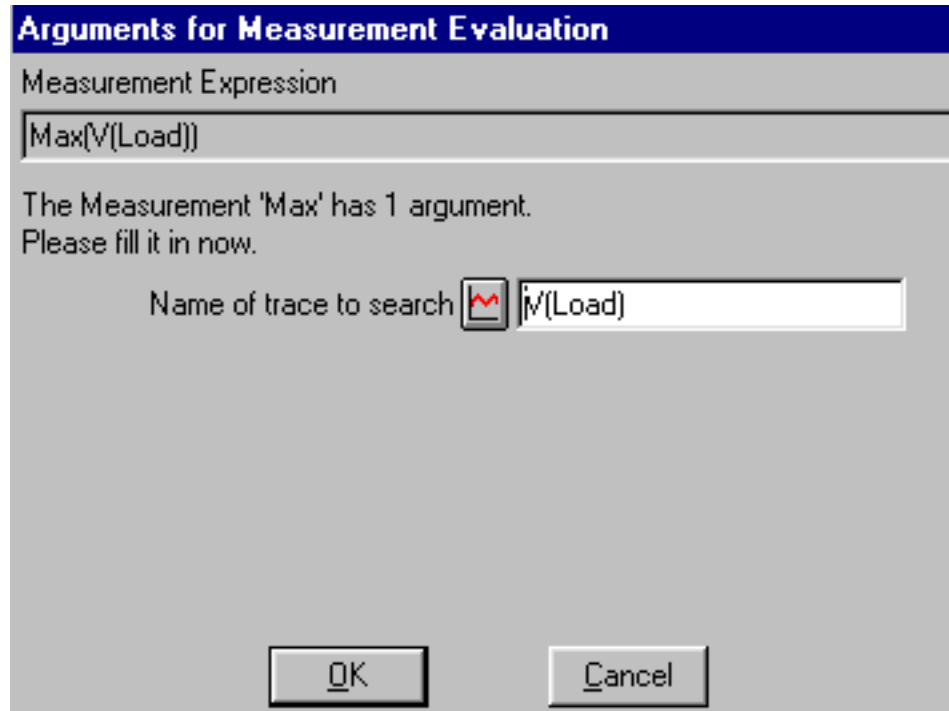


6. Click on the output variable you want to evaluate.
The output variable appears in the *Trace Expression* field.
7. Click *OK*.

PSpice User Guide

Measurement expressions

The *Arguments for Measurement Evaluation* dialog box reappears with the output variable you chose in the *Name of trace to search* field.



8. Click *OK*.

Your new measurement expression is evaluated and displayed in the PSpice window.

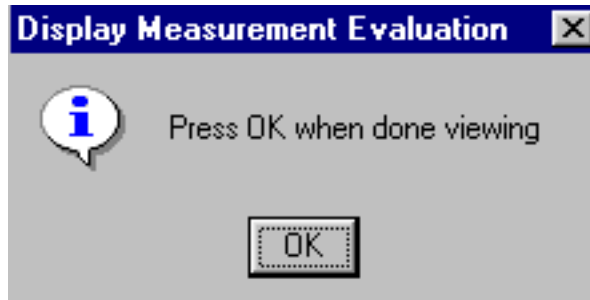
9. Click *OK* in the *Display Measurement Evaluation* pop-up box to continue working in PSpice.

Your new measurement expression is saved, but does not display in the window. The only way to get another graphical

PSpice User Guide

Measurement expressions

display is to redo these steps. You can see a numerical evaluation by following the next steps.

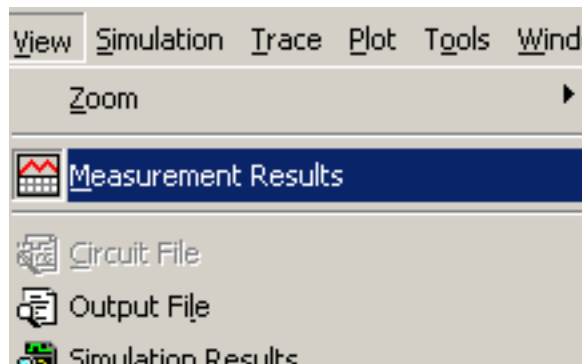


10. Click *Close*.

Viewing the results of measurement evaluations.

1. From the *View* menu, select *Measurement Results*.

The *Measurement Results* table displays below the plot window.

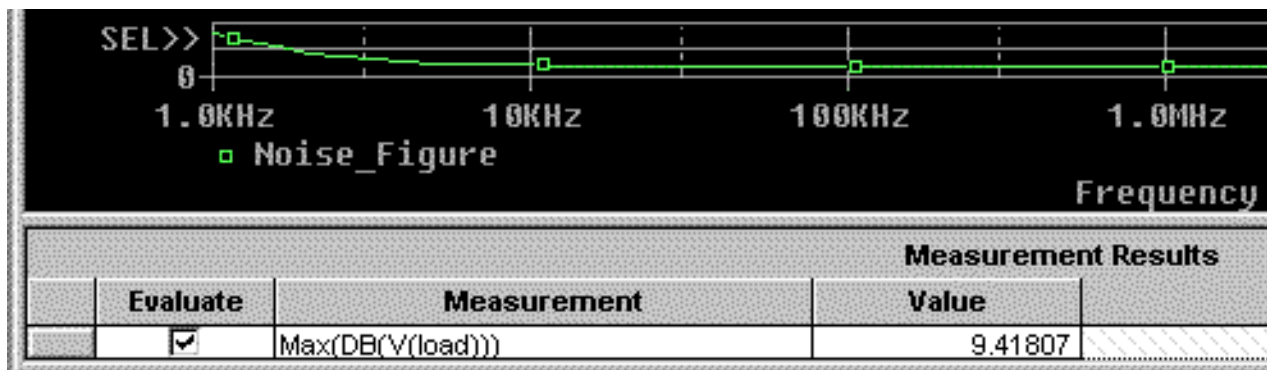


2. Click the box in the *Evaluate* column.

PSpice User Guide

Measurement expressions

A check mark appears in the *Evaluate* column check box and the PSpice calculation for your measurement expression appears in the *Value* column.



Measurement definitions included in PSpice

Definition	Finds the . . .
Bandwidth	Bandwidth of a waveform (you choose dB level)
Bandwidth_Bandpass_3dB	Bandwidth (3dB level) of a waveform
Bandwidth_Bandpass_3dB_XRange	Bandwidth (3dB level) of a waveform over a specified X-range
CenterFrequency	Center frequency (dB level) of a waveform
CenterFrequency_XRange	Center frequency (dB level) of a waveform over a specified X-range
ConversionGain	Ratio of the maximum value of the first waveform to the maximum value of the second waveform
ConversionGain_XRange	Ratio of the maximum value of the first waveform to the maximum value of the second waveform over a specified X-range
Cutoff_Highpass_3dB	High pass bandwidth (for the given dB level)
Cutoff_Highpass_3dB_XRange	High pass bandwidth (for the given dB level)
Cutoff_Lowpass_3dB	Low pass bandwidth (for the given dB level)

PSpice User Guide
Measurement expressions

Definition	Finds the. . .
Cutoff_Lowpass_3dB_XRange	Low pass bandwidth (for the given dB level) over a specified range
DutyCycle	Duty cycle of the first pulse/period
DutyCycle_XRange	Duty cycle of the first pulse/period over a range
Falltime_NoOvershoot	Falltime with no overshoot.
Falltime_StepResponse	Falltime of a negative-going step response curve
Falltime_StepResponse_XRange	Falltime of a negative-going step response curve over a specified range
GainMargin	Gain (dB level) at the first 180-degree out-of-phase mark
Max	Maximum value of the waveform
Max_XRange	Maximum value of the waveform within the specified range of X
Min	Minimum value of the waveform
Min_XRange	Minimum value of the waveform within the specified range of X
NthPeak	Value of a waveform at its nth peak
Overshoot	Overshoot of a step response curve
Overshoot_XRange	Overshoot of a step response curve over a specified range
Peak	Value of a waveform at its nth peak
Period	Period of a time domain signal
Period_XRange	Period of a time domain signal over a specified range
PhaseMargin	Phase margin
PowerDissipation_mW	Total power dissipation in milli-watts during the final period of time (can be used to calculate total power dissipation, if the first waveform is the integral of V(load))
Pulsewidth	Width of the first pulse
Pulsewidth_XRange	Width of the first pulse at a specified range

PSpice User Guide
Measurement expressions

Definition	Finds the . . .
Q_Bandpass	Calculates Q (center frequency / bandwidth) of a bandpass response at the specified dB point
Q_Bandpass_XRange	Calculates Q (center frequency / bandwidth) of a bandpass response at the specified dB point and the specified range
Risetime_NoOvershoot	Risetime of a step response curve with no overshoot
Risetime_StepResponse	Risetime of a step response curve
Risetime_StepResponse_XRange	Risetime of a step response curve at a specified range
SettlingTime	Time from <begin_x> to the time it takes a step response to settle within a specified band
SettlingTime_XRange	Time from <begin_x> to the time it takes a step response to settle within a specified band and within a specified range
SlewRate_Fall	Slew rate of a negative-going step response curve
SlewRate_Fall_XRange	Slew rate of a negative-going step response curve over an X-range
SlewRate_Rise	Slew rate of a positive-going step response curve
SlewRate_Rise_XRange	Slew rate of a positive-going step response curve over an X-range
Swing_XRange	Difference between the maximum and minimum values of the waveform within the specified range
XatNthY	Value of X corresponding to the nth occurrence of the given Y_value, for the specified waveform
XatNthY_NegativeSlope	Value of X corresponding to the nth negative slope crossing of the given Y_value, for the specified waveform
XatNthY_PercentYRange	Value of X corresponding to the nth occurrence of the waveform crossing the given percentage of its full Y-axis range; specifically, nth occurrence of $Y=Y_{min}+(Y_{max}-Y_{min})*Y_{pct}/100$

PSpice User Guide

Measurement expressions

Definition	Finds the. . .
XatNthY_Positive Slope	Value of X corresponding to the nth positive slope crossing of the given Y_value, for the specified waveform
YatFirstX	Value of the waveform at the beginning of the X_value range
YatLastX	Value of the waveform at the end of the X_value range
YatX	Value of the waveform at the given X_value
YatX_PercentXRange	Value of the waveform at the given percentage of the X-axis range
ZeroCross	X-value where the Y-value first crosses zero
ZeroCross_XRange	X-value where the Y-value first crosses zero at the specified range

For power users

Creating custom measurement definitions

Measurement definitions establish rules to locate interesting points and compute values for a waveform. In order to do this, a measurement definition needs:

- A measurement definition name
- A marked point expression

These are the calculations that compute the final point on the waveform.

- One or more search commands

These commands specify how to search for the interesting points.

Strategy

1. Decide what you want to measure.

PSpice User Guide

Measurement expressions

2. Examine the waveforms you have and choose which points on the waveform are needed to calculate the measured value.
3. Compose the search commands to find and mark the desired points.
4. Use the marked points in the Marked Point Expressions to calculate the final value for the waveform.
5. Test the search commands and measurements.

Note: An easy way to create a new definition:

From the PSpice *Trace* menu, select *Measurements* to open the *Measurements* dialog box, then:

- Select the definition most similar to your needs
- Click *Copy* and follow the prompts to rename and edit.

Writing a new measurement definition

1. From the PSpice *Trace* menu, choose *Measurements*.

The *Measurements* dialog box appears.

2. Click *New*.

The *New Measurement* dialog box appears.

3. Type a name for the new measurement in the *New Measurement name* field.

Make sure local file is selected.

This stores the new measurement in a .prb file local to the design.

4. Click OK.

The Edit New Measurement dialog box appears.

5. Type in the marked expression.
6. Type in any comments you want.
7. Type in the search function.

Note: For syntax information, see [Measurement definition syntax](#) on page 807

PSpice User Guide

Measurement expressions

Your new measurement definition is now listed in the Measurements dialog box.

Using the new measurement definition

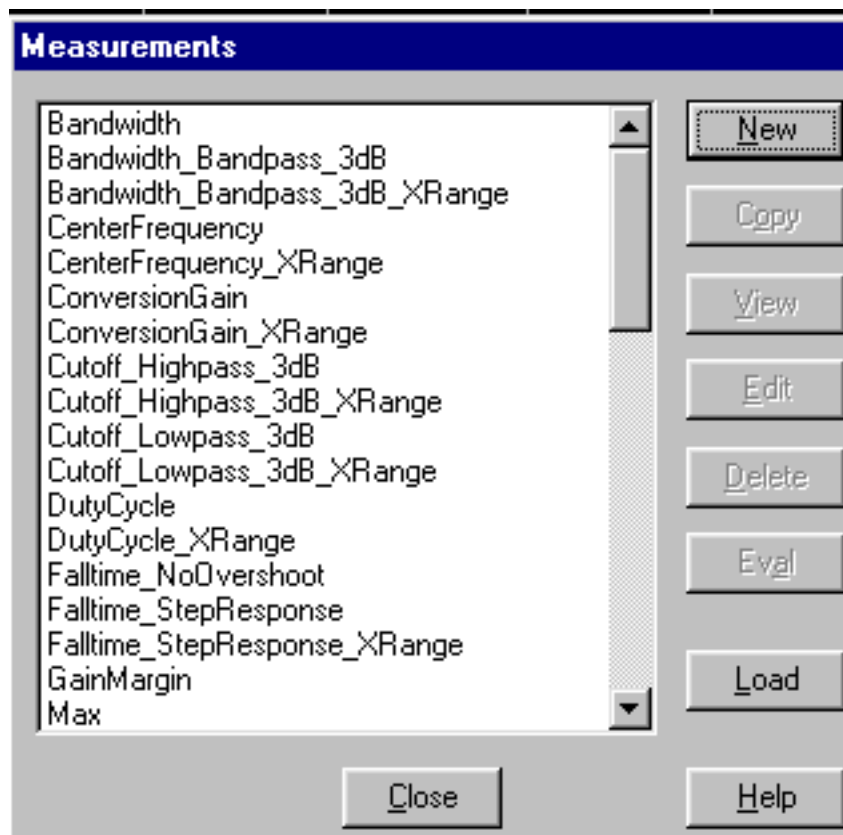
Your new measurement definition is now listed in the Measurements dialog box.

Note: For steps on using a definition in a measurement expression to evaluate a trace, see [Composing a measurement expression](#) on page 790.

Definition example

1. From the PSpice Trace menu, choose Measurements.

The Measurements dialog box appears.

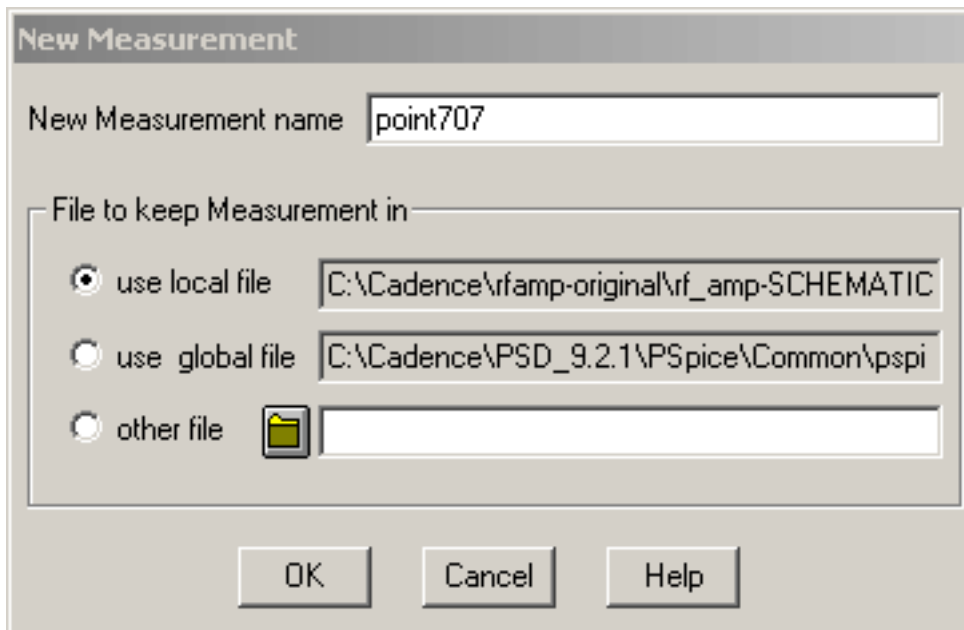


2. Click New.

PSpice User Guide

Measurement expressions

The *New Measurement* dialog box appears.

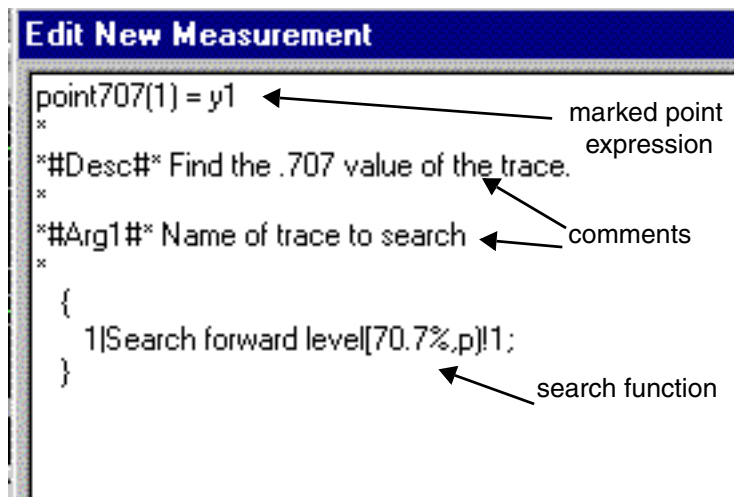


3. Type in a name in the *New Measurement name* field.
4. Make sure *use local file* is selected.

This stores the new measurement in a .prb file local to the design.

5. Click *OK*.

The *Edit New Measurement* dialog box appears.



PSpice User Guide

Measurement expressions

6. Type in the marked expression:

```
point707(1) = y1
```

7. Type in the search function.

```
{  
  1|Search forward level(70.7%, p) !1;  
}
```

Note: The search function is enclosed within curly braces.

Always place a semicolon at the end of the last search function.

8. Type in any explanatory comments you want:

```
*  
*#Desc#* Find the .707 value of the trace.  
*  
*#Arg1#* Name of trace to search  
*
```

Similarly, you can create complex measurements. For example, you might want to determine the time at which a current wave crosses a specified value, say 2mA, and then determine the voltage value at this time. You can use the following syntax:

```
<Measurement Name>(1,2,Y_value,n_occur)=y2  
*  
*#Desc#* Find the value of voltage at the time at which  
current crosses Y_value for the nth time.  
*#Arg1#* Name of current trace to search  
*#Arg2#* Name of voltage trace to search  
*#Arg3#* Y value  
*#Arg4#* nth occurrence  
*  
{  
1| search forward for n_occur:level (Y_value,positive)  
!1 ;  
2| search forward Xvalue (x1) !2 ;  
}
```

Note: For syntax information, see [Measurement definition syntax](#) on page 807.

Using the new measurement definition

Your new measurement definition is now listed in the Measurements dialog box.

For an example of using a definition in a measurement expression to evaluate a trace, see [Example](#) on page 792.

Measurement definition syntax

Check out the existing measurement definitions in PSpice for syntax examples.

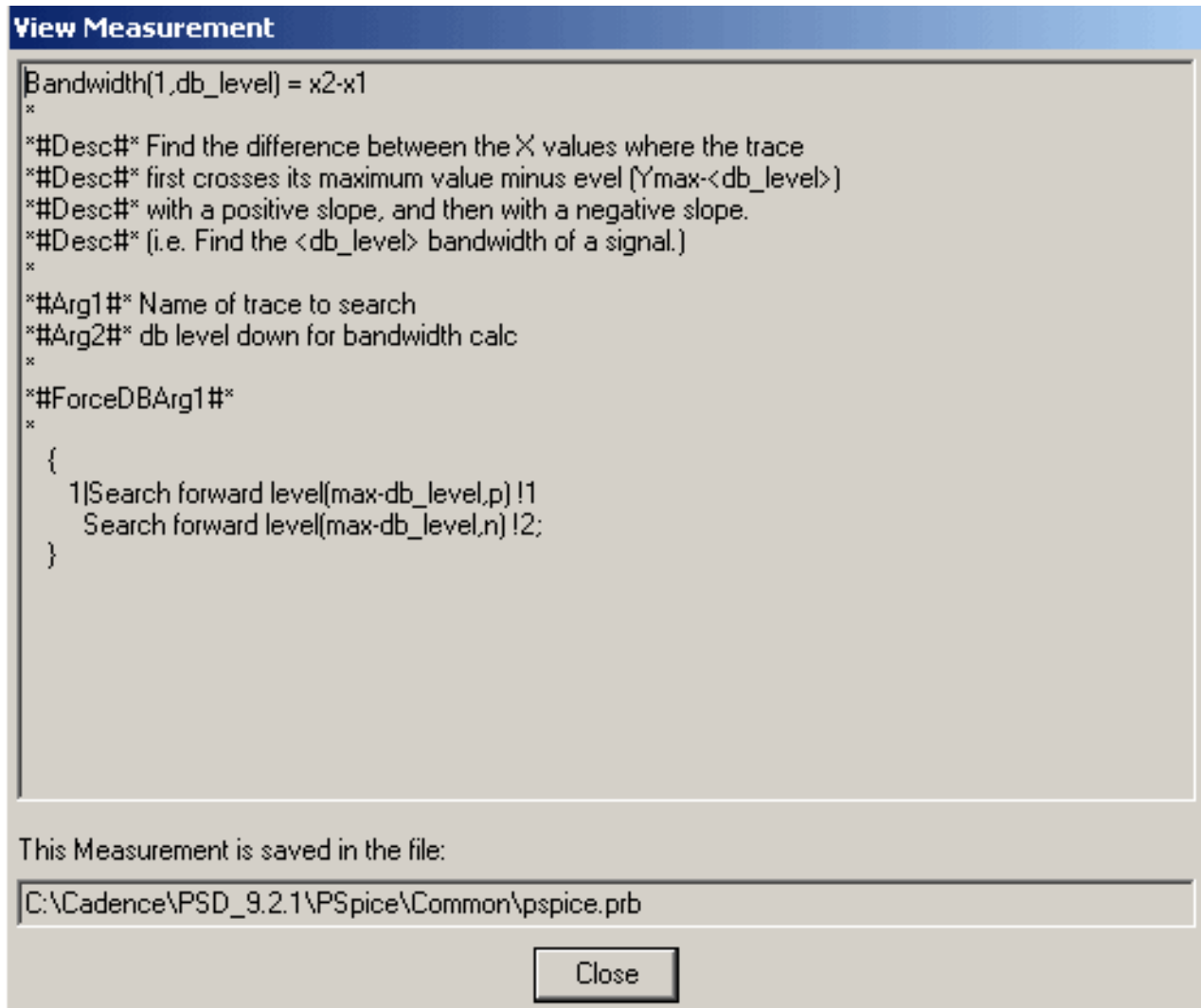
1. From the *Trace* menu in PSpice, choose *Measurements*.

The *Measurement* dialog box appears.

PSpice User Guide

Measurement expressions

2. Highlight any example, and select *View* to examine the syntax.



Measurement definition: fill in the place holders

```
measurement_name (1, [2, ..., n][, subarg1, subarg2, ..., subargm]) =  
marked_point_expression
```

```
{
```

```
1| search_commands_and_marked_points_for_expression_1;
```

```
2| search_commands_and_marked_points_for_expression_2;
```

```
n| search_commands_and_marked_points_for_expression_n;
```

Measurement name syntax

Can contain any alphanumeric character (A-Z, 0-9) or underscore _ , up to 50 characters in length. The first character should be an upper or lower case letter.

Examples of valid function names: Bandwidth, CenterFreq, delay_time, DBlevel1.

Comments syntax

A comment line always starts with an asterisk. Special comment lines include the following examples:

```
*#Desc#*
```

The measurement description

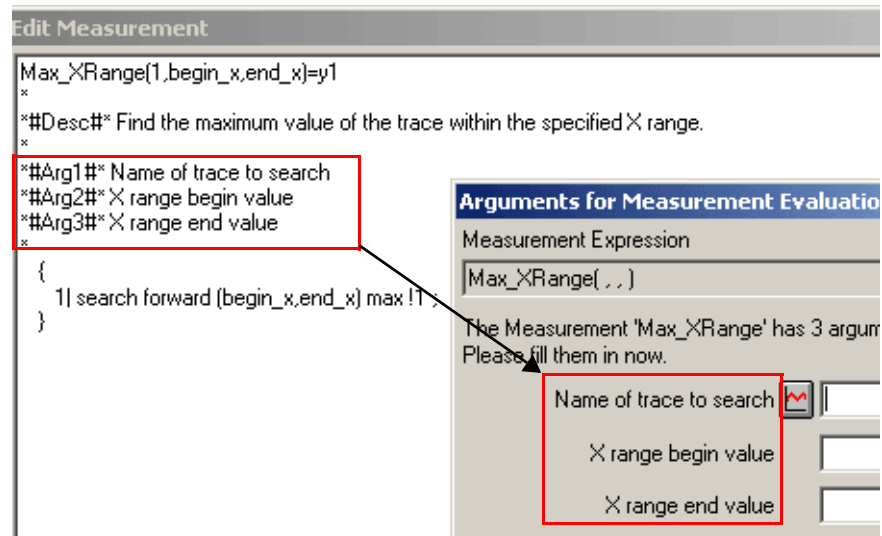
```
*#Arg1#*
```

Description of an argument used in the measurement definition.

PSpice User Guide

Measurement expressions

These comment lines will be used in dialog boxes, such as the *Arguments for Measurement Evaluation* box.



Marked Point Expressions syntax

A marked point expression calculates a single value, which is the value of the measurement, based on the X and Y coordinates of one or more marked points on a curve. The marked points are found by the search command.

All the arithmetic operators (+, -, *, /, ()) and all the functions that apply to a single point (for example, ABS(), SGN(), SIN(), SQRT()) can be used in marked point expressions.

The result of the expression is one number (a real value).

Marked point expressions differ from a regular expression in the following ways:

- Marked point coordinate values (for example, x1, y3), are used instead of simulation output variables (v(4), ic(Q1)).
- Multiple-point functions such as d(), s(), AVG(), RMS(), MIN(), and MAX() cannot be used.
- Complex functions such as M(), P(), R(), IMG(), and G() cannot be used.

PSpice User Guide

Measurement expressions

- One additional function called MPAVG can also be used. It is used to find the average Y value between 2 marked points. The format is:

MPAVG(p1, p2,[<.fraction>])

where p1 and p2 are marked X points and fraction (expressed in decimal form) specifies the range. The range specified by [<.fraction>] is centered on the midpoint of the total range. The default value is 1.

Example:

The marked point expression

MPAVG (x1, x5, .2)

will find the halfway point between x1 and x5 and will calculate the average Y value based on the 20 percent of the range that is centered on the halfway point.

Search command syntax

search [direction] [/start_point/] [#consecutive_points#] [(range_x [,range_y])]

[for]

[repeat:] <condition>

Brackets indicate optional arguments.

You can use uppercase or lowercase characters, because searches are case independent.

[direction]

forward or backward

The direction of the search. Search commands can specify either a forward or reverse direction. The search begins at the origin of the curve.

PSpice User Guide

Measurement expressions

[Forward] searches in the normal X expression direction, which may appear as backwards on the plot if the X axis has been reversed with a user-defined range.

Forward is the default direction.

[/start_point/]

The starting point to begin a search. The current point is the default.

Use this...	To start the search at this...
-------------	--------------------------------

^	the first point in the search range
Begin	the first point in the search range
\$	the last point in the search range
End	the last point in the search range
	a marked point number
	or an expression of marked points, for example,
xn	$x1$
	$(x1 - (x2 - x1) / 2)$

[#consecutive_points#]

Defines the number of consecutive points required for a condition to be met. Usage varies for individual conditions; the default is 1.

A peak is a data point with one neighboring data point on both sides that has a lower Y value than the data point.

If [#consecutive_points#] is 2 and <condition> is PEak, then the peak searched for is a data point with two neighboring data points on both sides with lower Y values than the marked data point.

[(range_x[, range_y])]

Specifies the range of values to confine the search.

PSpice User Guide

Measurement expressions

The range can be specified as floating-point values, as a percent of the full range, as marked points, or as an expression of marked points. The default range is all points available.

Examples

This range...	Means this...
(1n,200n)	X range limited from 1e-9 to 200e-9, Y range defaults to full range
(1.5,20e-9,0,1m)	both X and Y ranges are limited
(5m,1,10%,90%)	both X and Y ranges are limited
(0%,100%,1,3)	full X range, limited Y range
(,1,3)	full X range, limited Y range
(,30n)	X range limited only on upper end

[for] [repeat:]

Specifies which occurrence of <condition> to find.

If repeat is greater than the number of found instances of <condition>, then the last <condition> found is used.

Example

The argument:

2:LEvel

would find the second level crossing.

<condition>

Must be exactly one of the following:

- LLevel(value[,posneg])
- SLOpe[(posneg)]
- PEak
- TRough
- MAx

PSpice User Guide

Measurement expressions

- MIn
- POint
- XValue(value)

Each <condition> requires just the first 2 characters of the word. For example, you can shorten L`Level` to `LE`.

If a <condition> is not found, then either the cursor is not moved or the measurement is not evaluated.

`LLevel(value[,posneg])`

`[,posneg]` Finds the next Y value crossing at the specified level. This can be between real data points, in which case an interpolated artificial point is created.

At least `[#consecutive_points#]-1` points following the level crossing point must be on the same side of the level crossing for the first point to count as the level crossing.

`[,posneg]` can be Positive (P), Negative (N), or Both (B). The default is Both.

`(value)` can take any of the following forms:

Value form	Example
a floating number	1e5 100n 1
a percentage of full range	50%
a marked point	x1 y1
or an expression of marked points	$(x1-x2)/2$
a value relative to startvalue	<code>.-3</code> \Rightarrow startvalue -3 <code>.+3</code> \Rightarrow startvalue +3

PSpice User Guide

Measurement expressions

Value form	Example
a db value relative to startvalue	$-.3\text{db} \Rightarrow 3\text{db below startvalue}$ $+.3\text{db} \Rightarrow 3\text{db above startvalue}$
a value relative to max or min	$\text{max}-3 \Rightarrow \text{maxrng}-3$ $\text{min}+3 \Rightarrow \text{minrng}+3$
a db value relative to max or min	$\text{max}-3\text{db} \Rightarrow 3\text{db below maxrng}$ $\text{min}+3\text{db} \Rightarrow 3\text{db above minrng}$

`decimal point (.)`

A decimal point (.) represents the Y value of the last point found using a search on the current trace expression of the measurement. If this is the first search command, then it represents the Y value of the startpoint of the search.

`Slope [(posneg)]`

Finds the next maximum slope (positive or negative as specified) in the specified direction.

[(posneg)] refers to the slope going Positive (P), Negative (N), or Both (B). If more than the next [#consecutive_points#] points have zero or opposite slope, the Slope function does not look any further for the maximum slope.

Positive slope means increasing Y value for increasing indices of the X expression.

The point found is an artificial point halfway between the two data points defining the maximum slope.

The default [(posneg)] is Positive.

`PEak`

Finds the nearest peak. At least [#consecutive_points#] points on each side of the peak must have Y values less than the peak Y value.

`TRough`

Finds nearest negative peak. At least [#consecutive_points#] points on each side of the trough must have Y values greater than the trough Y value.

PSpice User Guide

Measurement expressions

MAx

Finds the greatest Y value for all points in the specified X range. If more than one maximum exists (same Y values), then the nearest one is found.

MAx is not affected by [direction], [#consecutive_points#], or [repeat:].

MIIn

Finds the minimum Y value for all points in the specified X range.

MIIn is not affected by [direction], [#consecutive_points#], or [repeat:].

POint

Finds the next data point in the given direction.

XValue (value)

Finds the first point on the curve that has the specified X axis value.

The (value) is a floating-point value or percent of full range.

XValue is not affected by [direction], [#consecutive_points#], [(range_x [,range_y])], or [repeat:].

(value) can take any of the following forms:

Value form	Example
a floating number	1e5 100n 1
a percentage of full range	50%
a marked point	x1 y1
or an expression of marked points	(x1+x2)/2
a value relative to startvalue	.-3 ⇒startvalue -3 .+3 ⇒startvalue +3

PSpice User Guide

Measurement expressions

Value form	Example
a db value relative to startvalue	<code>-.3db</code> \Rightarrow 3db below startvalue <code>+.3db</code> \Rightarrow 3db above startvalue
a value relative to max or min	<code>max-3</code> \Rightarrow maxrng -3 <code>min+3</code> \Rightarrow minrng +3

Syntax example

The measurement definition is made up of:

- A measurement name
- A marked point expression
- One or more search commands enclosed within curly braces

This example also includes comments about:

- The measurement definition
- What arguments it expects when used
- A sample command line for its usage

PSpice User Guide

Measurement expressions

Any line beginning with an asterisk is considered a comment line.

Risetime definition

```
Risetime(1) = x2-x1
*
*#Desc# Find the difference between the X values
where the trace first
*#Desc# crosses 10% and then 90% of its maximum
value with a positive
*#Desc# slope.
*#Desc# (i.e. Find the risetime of a step
response curve with no
*#Desc# overshoot. If the signal has overshoot,
use GenRise().)
*
*#Arg1# Name of trace to search
*
* Usage:
*Risetime(<trace name>)
*
{
    1|Search forward level(10%, p) !1
    Search forward level(90%, p) !2;
}
```

The name of the measurement is Risetime. Risetime will take 1 argument, a trace name (as seen from the comments).

The first search function searches forward (positive x direction) for the point on the trace where the waveform crosses the 10% point in a positive direction. That point's X and Y coordinates will be marked and saved as point 1.

The second search function searches forward in the positive direction for the point on the trace where the waveform crosses the 90% mark. That point's X and Y coordinates will be marked and saved as point 2.

The marked point expression is x2-x1. This means the measurement calculates the X value of point 2 minus the X value of point 1 and returns that number.

Other output options

Chapter overview

This chapter describes how to output results in addition to those normally written to the data file or output file.

- [Viewing analog results in the PSpice window](#) on page 820 explains how to monitor the numerical values for voltages or currents on up to three nets in your circuit as the simulation proceeds.
- [Writing additional results to the PSpice output file](#) on page 821 explains how to generate additional line plots and tables of voltage and current values to the PSpice¹ output file.
- [Creating test vector files](#) on page 825 explains how to save digital output states to a file that you can use later as input to another circuit.

1. Depending on the license available, you will access either PSpice or PSpice Simulator.

Viewing analog results in the PSpice window

The design entry tools¹, Capture and Design Entry HDL, provides a special WATCH1 part that lets you monitor voltage values for up to three nets in your schematic as a DC sweep, AC sweep or transient analysis proceeds. Results are displayed in PSpice.

To display voltage values in the PSpice window

1. Place and connect a WATCH1 part (from the PSpice library SPECIAL) on an analog net.
2. In Capture, double-click the WATCH1 part instance to display the Parts spreadsheet.

In Design Entry HDL, choose *Text - Attributes* and click the WATCH1 part to display the Attributes dialog box. :

3. In the ANALYSIS property column, type DC, AC, or TRAN (transient) for the type of analysis results you want to see.
4. Enter values in the LO and HI properties columns to define the lower and upper bounds, respectively, on the values you expect to see on this net.

Note: If the results move outside of the specified bounds, PSpice pauses the simulation so that you can investigate the behavior.

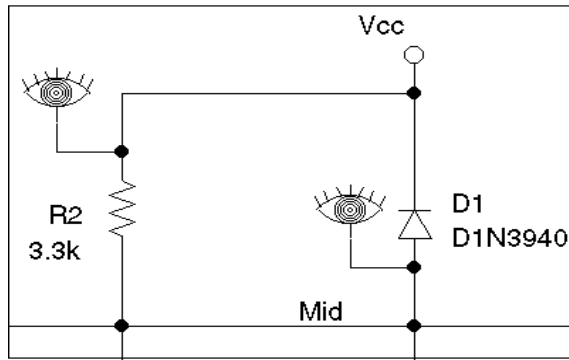
5. Repeat steps 1 through 4 for up to two more WATCH1 instances.
6. Start the simulation.

1. In this guide, design entry tool is used for both OrCAD Capture and Design Entry HDL. Any differences between the two tools is mentioned, if necessary.

PSpice User Guide

Other output options

For example, in the schematic fragment shown below, WATCH1 parts are connected to the Mid and Vcc nets. After starting the simulation, PSpice displays voltages on the Mid and Vcc nets.



Writing additional results to the PSpice output file

The design entry tools provide special parts that let you save additional simulation results to the PSpice output file as either line-printer plots or tables.

To view the PSpice output file after running a simulation:

1. From the Simulation menu, choose Examine Output.

Generating plots of voltage and current values

You can generate voltage and current line-printer plots for any DC sweep, AC sweep, or transient analysis.




PSpice User Guide

Other output options

To generate plots of voltage or current to the output file

1. Place and connect any of the following parts (from the PSpice library SPECIAL.OLB).

Table 19-1

Use this part...	To plot this...
VPLOT1 	Voltage on the net that the part terminal is connected to.
VPLOT2 	Voltage differential between the two nets that the part terminals are connected to.
IPLLOT 	Current through a net. (Insert this part in series, like a current meter.)

2. Double-click the part instance to display the Parts spreadsheet.
3. Click the property name for the analysis type that you want plotted: DC, AC, or TRAN.
4. In the columns for the analysis type that you want plotted (DC, AC or TRAN), type any non-blank value such as Y, YES or 1.
5. If you selected the AC analysis type, enable an output format:
 - a. Click the property name for one of the following output formats: MAG (magnitude), PHASE, REAL, IMAG (imaginary), or DB.
 - b. Type any non-blank value such as Y, YES or 1.
 - c. Repeat step a and step b for as many AC output formats as you want to see plotted.

Note: If you do not enable a format, PSpice defaults to MAG.

6. Repeat steps 2 through 5 for any additional analysis types you want plotted.

Note: If you do not enable an analysis type, PSpice reports the transient results.




Generating tables of voltage and current values

You can generate tables of voltage and current values on nets for any DC sweep, AC sweep, or transient analysis.

To generate tables of voltage or current to the output file

1. Place and connect any of the following parts (from the PSpice library SPECIAL.OLB).

Table 19-2

Use this part...	To tabulate this...
 VPRINT1	Voltage on the net that the part terminal is connected to.
 VPRINT2	Voltage differential between the two nets that the part terminals are connected to.
 IPRINT	Current through a cut in the net. (Insert this part in series, like a current meter.)

2. Double-click the part instance to display the Parts spreadsheet.
3. Click the property name for the analysis type that you want tabulated: DC, AC, or TRAN.
4. In the columns for the analysis type that you want plotted (DC, AC or TRAN), type any non-blank value such as Y, YES or 1.
5. If you selected the AC analysis type, enable an output format.
 - a. Click the property name for one of the following output formats: MAG (magnitude), PHASE, REAL, IMAG (imaginary), or DB.
 - b. Type any non-blank value such as Y, YES or 1.
 - c. Repeat [step a](#) and [step b](#) for as many AC output formats as you want to see tabulated.

Note: If you do not enable a format, PSpice defaults to MAG.

PSpice User Guide

Other output options


6. Repeat steps 2 through 5 for any additional analysis types you want plotted.

Note: If you do not enable an analysis type, PSpice reports the transient results.

Generating tables of digital state changes

You can generate a table of digital state changes during a transient analysis for any net.

To generate a table of digital state changes to the output file

1. Place a PRINTDGTLCHG part  (from the PSpice library SPECIAL.OLB) and connect it to the net that you are interested in.

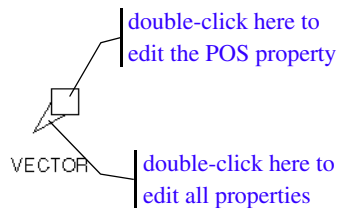
Creating test vector files

The design entry tools provide a special VECTOR part that lets you save digital simulation results to a vector file. Whenever any net with an attached VECTOR part changes state, PSpice writes a line of *time-value* data to the vector file using the same format as the file stimulus device. This means that you can use the vector file to drive inputs for another simulation. To find out about vector file syntax, refer to the online *PSpice Reference Guide*.

To find out about setting up digital stimuli, see [Defining a digital stimulus](#) on page 621.

To generate a test vector file from your circuit

1. Place a VECTORn part (from the PSpice library SPECIAL.OLB) and connect it to a wire or bus at the output of a digital part instance.
2. Double-click the VECTORn part instance to display the Parts spreadsheet.



3. Set the part properties as described below.

Table 19-3

For this property...	Define this...
POS	Column position in the file. Valid values range from 1 to 255.

PSpice User Guide

Other output options

Table 19-3

For this property...	Define this...
FILE	Name of the vector file. If left blank, PSpice creates a file named SCHEMATIC_NAME.VEC.
RADIX	If the VECTOR part is attached to a bus, the numerical notation for a bus. Valid values are B[inary], O[ctal], and H[ex].
BIT	If the VECTOR part is attached to a wire, the bit position within a single hex or octal digit.
SIGNAMES	Names of the signals that appear in the header of the file. If left blank, PSpice defaults to the following: <ul style="list-style-type: none">■ For a wire, the label (name) on the wire.■ For a bus, a name derived from the position of each signal in the bus (from MSB to LSB).

Note: You can group separate signal values to form a hex or octal value by specifying the same POS property and defining RADIX as Hex or Octal. Define the bit position within the value using the BIT property.

4. Repeat steps 1 through 3 for as many test vectors as you want to create.

Exporting Trace to CSV File

1. Choose *File - Export Comma Separated File (.csv file)*

The Export to Comma Separated File appears.

2. In the *File* name box, specify the name and location of the CSV file.
3. Select the filters on the right of the dialog box, such as Analog, Voltages, Currents, and so on.
4. Select the output variables from the *Available Output Variables* list.
5. Click *Add* to add the selected variables.

You can use the Add, Add All, Remove, and Remove All buttons to modify the list of output variables to export.

6. Select *Enable* to specify tolerance values for the variables.
7. Click *OK*.

The output variables are exported to the specified CSV file.



To open the CSV file, choose *File - Open File Location*.

PSpice User Guide

Other output options

Bias Point Display

Introduction

Bias conditions are used to set up the correct operation of a circuit. If the results of a simulation are not what you expect to see, the bias conditions are the first parameters you should check.

After simulating with PSpice, you can display bias point information on your schematic page in Capture. Bias voltages are displayed next to their corresponding nets (nodes), bias currents are displayed next to their corresponding device pins and the bias powers are displayed next to their corresponding power sources. By seeing this data on your schematic, you can quickly focus in on potential problem areas of your design. PSpice calculates and saves the bias point current, voltages and powers for every simulation. Capture reads all of this information and can display currents on all pins that have models, voltages for every net in your circuit or powers for every power source in your circuit.

Note: Bias point information is available for all analysis types except DC Sweep. The bias point display feature does not work for DC Sweeps.

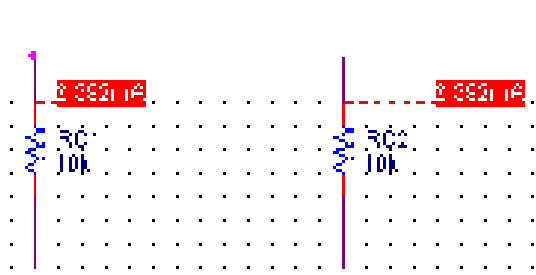
You can choose to display bias point information in the following ways:

- currents on all modeled pins throughout the design
- currents on only selected modeled pins
- voltages on all wires throughout the design
- voltages on only selected wires
- powers on all power sources throughout the design

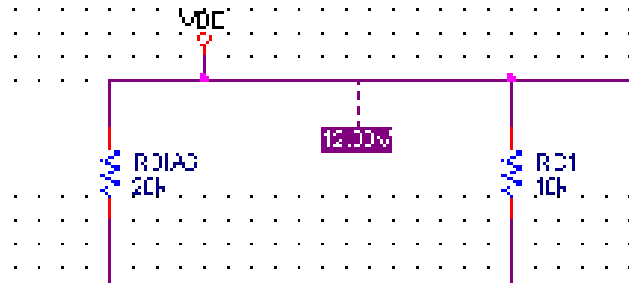
PSpice User Guide

Bias Point Display

- powers on only selected power sources



example of current bias point



example of voltage bias point

For currents on pins, a "+" value for the bias point means current is flowing into the pin, while a "-" value means current is flowing out of the pin. By default, only voltages are displayed. You can toggle the currents on or off by using the corresponding toolbar buttons or menu commands.

How bias information is stored and updated

Not all pins and nets will have bias information. Buses, for example, do not have bias information, since they are not distinct wires. Bias point data and the locations of the displayed values are saved as part of the schematic page. Distinct bias point information is saved for each simulation profile. The data is updated whenever you open a schematic page, when you resimulate, when you activate a different simulation profile, or when you change the display characteristics of the labels (such as color, font or precision).

For a schematic containing multiple pages, the bias information is stored with each page. If you turn off bias point display on one page, this will not affect the display on other pages. If a page is reused (hierarchical subcircuits), the position of the bias point will be stored with the page and will be the same for all occurrences of that page, although the values will be different for each to accurately reflect the hierarchy of the circuit.

Bias point data for multiple analyses

If you have set up more than one analysis, you should keep in mind the following:

- Capture will always display the bias information for the last analysis you ran. PSpice runs analyses in this order: DC, AC, Transient. This means that if you perform a multi-run analysis like Parametric, Monte Carlo, Sensitivity/Worst-case or Temperature, you will see bias values for the last run only.

- A given voltage or current source can have a different DC value and initial transient value at TIME=0. This means that the initial transient bias calculation can be different from the DC (small-signal) bias point.
- For a Transient analysis, only the initial transient bias values are shown.

Displaying bias point values

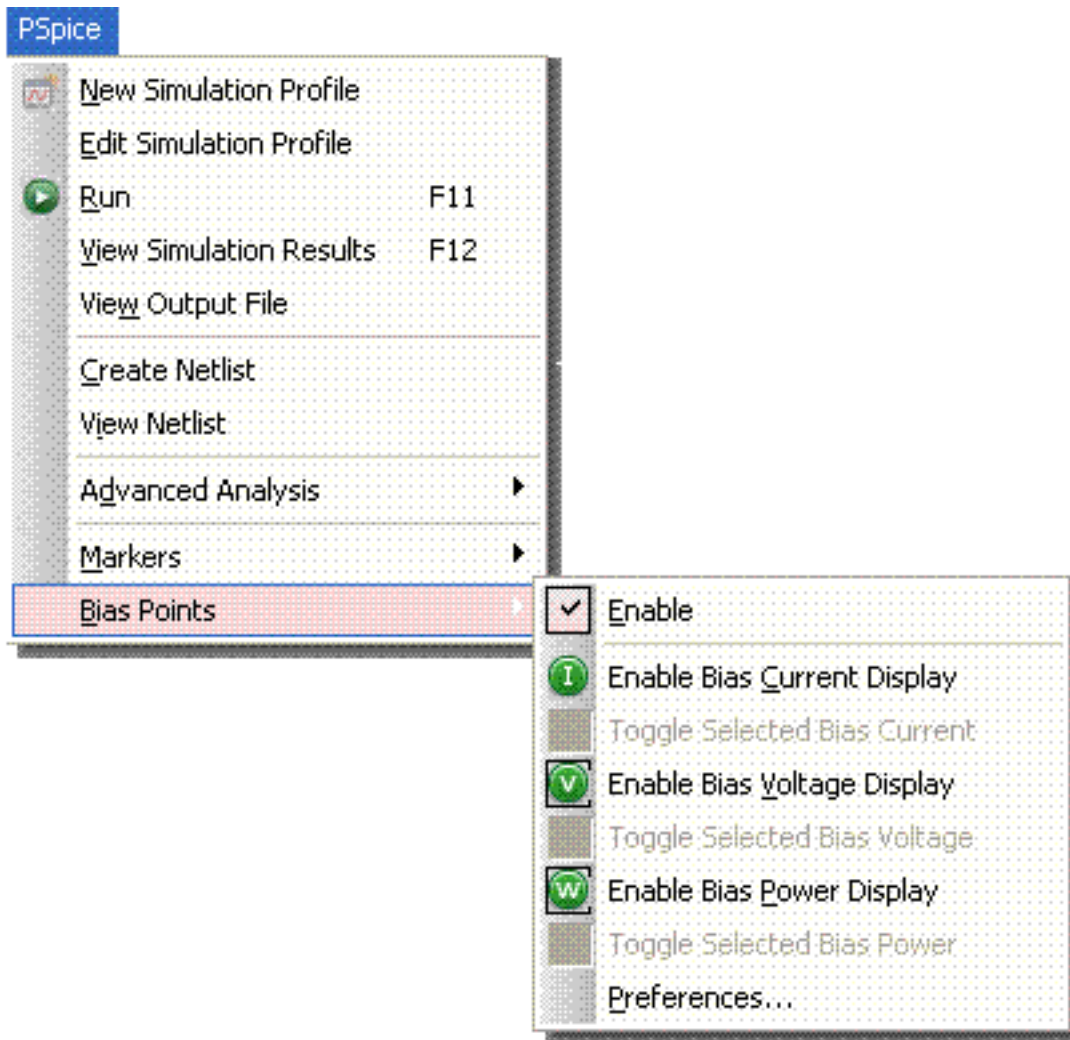
You have the option of enabling the display of bias information for all nets, pins and power sources in the circuit, or of enabling only selected nets, pins and power sources. You can also disable bias point display all together for situations such as large digital designs where the legibility of the schematic might be reduced.

PSpice User Guide

Bias Point Display

To enable or disable the display of all bias information

1. In Capture, from the PSpice menu, choose Bias Points. A submenu appears (see figure).



2. From the submenu, select Enable.


By clearing this option, you disable the bias display feature entirely. The presence of the check mark indicates that this option is enabled. (The default setting is to have this option enabled.)

To enable or disable the display of all bias points


1. In Capture, from the PSpice menu, choose Bias Points. A submenu appears.
2. From the submenu, select:

PSpice User Guide


Bias Point Display

Enable Bias Current Display or click the toolbar button ().

-or-

Enable Bias Voltage Display or click the toolbar button ().

-or-

Enable Bias Power Display or click the toolbar button ().

By checking this option, you enable the corresponding bias display feature. The presence of the check mark indicates that this option is enabled. (The default setting is to have this option disabled.)

Note: Enabling bias display simply allows the feature to work, displaying whatever bias values were previously selected and toggled on. To learn how to toggle on or off just one specific bias display, click *Toggling a specific bias display*.

To turn on or off the display of selected bias points

1. In Capture, click on a pin, or hold the CTRL key and click on several pins to select them. You can also click on a part to select all of the pins for that part.
2. From the PSpice menu, choose Bias Points. A submenu appears.
3. From the submenu, select Toggle Selected Bias Current.

-or-

Click the toolbar button () after selecting the pins.

The presence of the check mark indicates that this option is turned on. (The default setting is to have this option turned off.)

Note: You can also turn off selected bias points by pressing the DELETE key. If you use the DELETE key, the bias point labels will be restored to their default locations the next time you display them.

Important

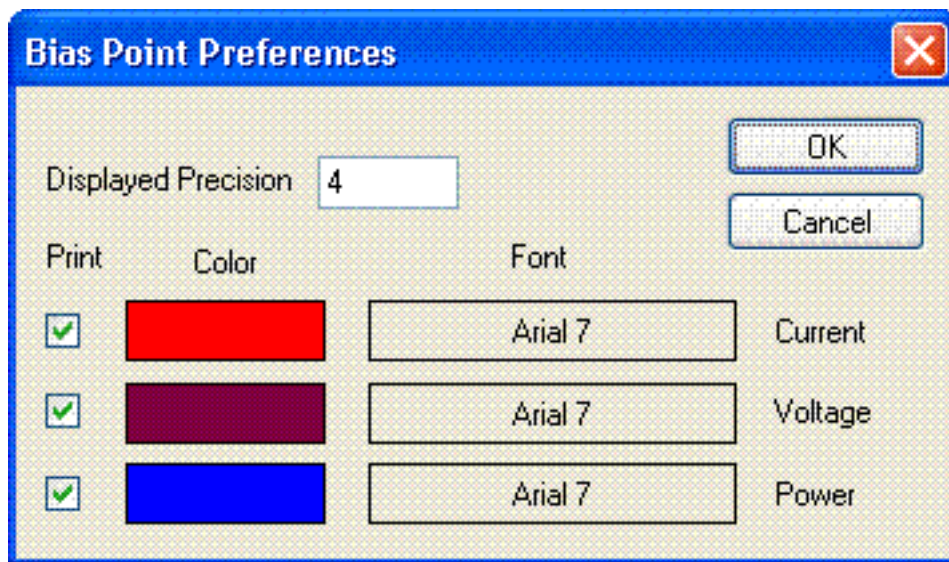
Since the current bias point of a capacitor equals zero, you will not see current bias point displays for these devices. Similarly, for other two terminal devices such as resistors, the current bias point will only be displayed on the positive (+) pin, because the negative (-) pin does not have a bias point value to display.

To turn on display of bias points after turning off selected bias point displays

1. From the Edit menu, choose Select All.
2. Click the toolbar button three times: Once to toggle on the bias displays that were previously turned off; once more to turn off all bias displays, and a third time to turn them all back on.

Controlling the display of bias points

You can set the precision of the bias point value that is displayed, and you can change the color or font of the label. You can also define whether bias point data should be printed with the schematic. These settings are all defined using the Bias Point Preferences dialog box (see figure below).



To set the precision of the bias point values:

1. In Capture, from the PSpice menu, choose Bias Points. A submenu appears.
2. From the submenu, select Preferences. The Bias Point Preferences dialog box appears.
3. In the Displayed Precision text box, enter the number of decimals you wish to display for the bias point values.
4. Click OK.

This setting applies globally to all current, voltage and power bias points in your design. (The default setting is 4.)

PSpice User Guide

Bias Point Display

To set the color of the bias point values:

1. In Capture, from the PSpice menu, choose Bias Points. A submenu appears.
2. From the submenu, select Preferences. The Bias Point Preferences dialog box appears.
3. Click in the Color box for current, voltage or power and select the color you wish to display from the color palette.
4. Click OK.

These settings apply globally to all current and voltage bias points in your design.

To set the fonts for the bias point values:

1. In Capture, from the PSpice menu, choose Bias Points. A submenu appears.
2. From the submenu, select Preferences. The Bias Point Preferences dialog box appears.
3. Click in the Font box for current, voltage or power and select the font type, style, and size you wish to display from the font dialog box.
4. Click OK.

These settings apply globally to all current, voltage and power bias points in your design. (The default setting is Arial 7.)

To print the bias point values:

1. In Capture, from the PSpice menu, choose Bias Points. A submenu appears.
2. From the submenu, select Preferences. The Bias Point Preferences dialog box appears.
3. Click the Print check box for current, voltage or power. The bias point values will then print with the schematic page.
4. Click OK.

These settings apply globally to all current, voltage and power bias points in your design. The presence of the check mark indicates that this option is enabled. (The default setting is to have this option enabled.)

Moving bias points

Bias points have a default position near their corresponding wire or pin. You can select the bias point labels and relocate them to make the schematic page more legible. A dashed leader line extends from the label to the wire or pin it is associated with to indicate where the label belongs.

To move a bias point label:

1. Click on the label you wish to move to select it.
2. While holding down the left mouse button, drag the label to the new location.

Once you move a label, the new location will be saved with the schematic page so the bias point will be displayed there again the next time you open that page.

Updating bias point values

The bias point values displayed in Capture reflect the data from the last simulation that was performed in PSpice. In some cases, these may not be the most recent values, depending on when they were last updated. There are three ways to update the values.

To update the bias point values by resimulating:

- In Capture, from the PSpice menu, choose Run.

By re-running the simulation in PSpice, you update the bias points to the correct values.

To update the bias point values by changing profiles:

1. In Capture's Project Manager, under the File tab, double-click on the Simulation Profiles folder to see all the defined profiles for this project.
2. Right-click on the profile you want to make active. A shortcut menu appears.
3. From the shortcut menu, select Make Active.

By opening a new simulation profile, you update the bias points to reflect the correct values that were last calculated for that profile.

PSpice User Guide

Bias Point Display

To update the bias point values by changing the display:

1. In Capture, from the PSpice menu, choose Bias Points. A submenu appears.
2. From the submenu, select Preferences. The Bias Point Preferences dialog box appears.
3. Click OK without changing any settings.

By opening the Preferences dialog box, you force Capture to update the bias points with the correct values.

Menu commands for bias point display

The following table explains the menu commands for bias point display. You can access these commands by selecting Bias Points from the PSpice menu in Capture.

To see a map of these commands as they appear under the PSpice menu in Capture, click Bias Point menu.

Menu command...	Function...
Enable	Enables or disables the bias point display capability.
Enable Bias Current Display	Enables or disables the display of current bias points for all modeled pins in the entire design.
Toggle Selected Bias Current	Turns on or off the display of current bias points for selected modeled pins.
Enable Bias Voltage Display	Enables or disables the display of voltage bias points for all wires in the entire design.
Toggle Selected Bias Voltage	Turns on or off the display of voltage bias points for selected wires.
Enable Bias Power Display	Enables or disables the display of power bias points for all wires in the entire design.
Toggle Selected Bias Power	Turns on or off the display of power bias points for selected wires.
Preferences	Provides controls for displaying the precision, color, font and printability of the bias point values.

Important





In order to access the PSpice menu in Capture, you must be working with a project that can be simulated. You must create a project (not a design) and select the Analog or Mixed-Signal Circuit Wizard option in order to be able to simulate the design with PSpice.

Toolbar controls for bias point display

The following table explains the control buttons in the Bias Point toolbar buttons on the Pspice toolbar.



The Bias Point toolbar buttons on the Pspice toolbar in Capture



Toolbar Icon	Description
 Enable Bias Voltage Display	Enables or disables the display of voltage bias points for all wires in the entire design.
 Toggle Selected Bias Voltage	Turns on or off the display of voltage bias points for selected wires.
 Enable Bias Current Display	Enables or disables the display of current bias points for all modeled pins in the entire design.
 Toggle Selected Bias Current	Turns on or off the display of current bias points for selected modeled pins.

Toggling a specific current bias display



To turn on the display of a specific current bias point:

1. In Capture, from the Edit menu, choose Select All.
2. Click the Toggle Selected Bias Current button in the Bias Point toolbar (). This will either turn off all current bias values for every pin on the schematic page, or they will all be turned on, depending on the previous state. Click the button again, if necessary, to turn everything off. If there is no change in the display either way, be sure that Enable Bias Current Display is checked.
3. Click the mouse on an empty area of the schematic page to deselect everything.
4. Click the specific pin you want to display the current on, in order to select it.
5. Click the Toggle Selected Bias Current button in the Bias Point toolbar ().

You should now see only the current bias point value for the specific pin you are interested in. All other current bias points on the schematic page should be turned off.

Toggling a specific voltage bias display


To turn on the display of a specific voltage bias point:

1. In Capture, from the Edit menu, choose Select All.
2. Click the Toggle Selected Bias Voltage button in the Bias Point toolbar ().
This will either turn off all voltage bias values for every net on the schematic page, or they will all be turned on, depending on the previous state. Click the button again, if necessary, to turn everything off. If there is no change in the display either way, be sure that Enable Bias Voltage Display is checked.
3. Click the mouse on an empty area of the schematic page to deselect everything.
4. Click the specific net you want to display the voltage on, in order to select it.
5. Click the Toggle Selected Bias Voltage button in the Bias Point toolbar ().


You should now see only the voltage bias point value for the specific pin you are interested in. All other voltage bias points on the schematic page should be turned off.

Toggling a specific power bias display

To turn on the display of a specific power bias point:

1. In Capture, from the Edit menu, choose Select All.
2. Click the Toggle Selected Bias Power button in the Bias Point toolbar ()

This will either turn off all power bias values for every power source on the schematic page, or they will all be turned on, depending on the previous state. Click the button again, if necessary, to turn everything off. If there is no change in the display either way, be sure that Enable Bias Power Display is checked.

3. Click the mouse on an empty area of the schematic page to deselect everything.
4. Click the specific power source you want to display the voltage on, in order to select it.
5. Click the Toggle Selected Bias Voltage button in the Bias Point toolbar ().

You should now see only the voltage bias point value for the specific pin you are interested in. All other voltage bias points on the schematic page should be turned off.

Differences between bias point display in Capture vs. PSpice Schematics

Bias point display in OrCAD Capture works very much the same way as in MicroSim Schematics Release 8. There are, however, a few differences that should be noted.

1. The "stale" condition that was supported in Schematics is not supported in Capture. The bias point values you see will always reflect the calculations from the last simulation run.
2. In Schematics, for a current bias point, the leader line on the bias point label indicated the direction of the current flow. Current direction is not indicated in Capture.
3. In Schematics, two symbols were provided (VIEWPOINT & IPROBE) that were formerly used for bias point display. These symbols became redundant in Release 8 with the improved bias point display feature. These symbols are not available with Capture.

Setting initial state

Appendix overview

This appendix includes the following sections:

- [Save and load bias point](#) on page 842
- [Setpoints](#) on page 844
- [Setting initial conditions](#) on page 846

Save and load bias point

Save Bias Point and Load Bias Point are used to save and restore bias point calculations in successive PSpice simulations.

Saving and restoring bias point calculations can decrease simulation times when large circuits are run multiple times and can aid convergence. If the circuit uses high gain components, or if the circuit's behavior is nonlinear around the bias point, this feature is not useful.

Save/Load Bias Point affect the following types of analyses:

- transient
- DC
- AC

Save bias point

Save bias point is a simulation control function that allows you to save the bias point data from one simulation for use as initial conditions in subsequent simulations. Once bias point data is saved to a file, you can use the load bias point function to use the data for another simulation.

To use save bias point

1. In the Simulation Settings dialog box, click the Analysis tab.
See [Setting up analyses](#) on page 423 for a description of the Analysis Setup dialog box.
2. Under Options, select Save Bias Point.
3. Complete the Save Bias Point dialog box.
4. Click OK.

Load bias point

Load bias point is a simulation control function that allows you to set the bias point as an initial condition. A common reason for giving PSpice initial conditions is to select one out of two or more stable operating points (set or reset for a flip-flop, for example).

To use load bias point

1. Run a simulation using the Save Bias Point option in the Simulation Settings dialog box.

See [Setting up analyses](#) on page 423 for a description of the Analysis Setup dialog box.
2. Before running another simulation, click the Analysis tab in the Simulation Settings dialog box.
3. Under Options, select Load Bias Point.
4. Specify a bias point file to load. Include the path if the file is not located in your working directory, or use the Browse button to find the file.
5. Click OK.

Setpoints

Pseudo-components that specify initial conditions are called setpoints. These apply to the analog portion of your circuit.

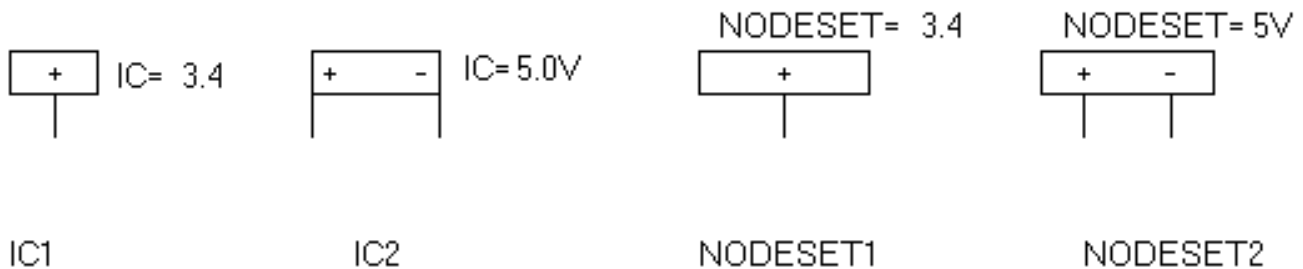


Figure A-1 Setpoints.

The example in Figure [A-1](#) includes the following:

- IC1** a one-pin symbol that allows you to set the initial condition on a net for both small-signal and transient bias points
- IC2** a two-pin symbol that allows you to set initial condition between two nets

Using IC symbols sets the initial conditions for the bias point only. It does not affect the DC sweep. If your circuit design contains both an IC symbol and a NODESET symbol for the same net, the NODESET symbol is ignored.

To specify the initial condition, edit the value of the VALUE property to the desired initial condition. PSpice attaches a voltage source with a 0.0002 ohm series resistance to each net to which an IC symbol is connected. The voltages are clamped this way for the entire bias point calculation.

NODESET1 is a one-pin symbol which helps calculate the bias point by providing a initial guess for some net. NODESET2 is a two-pin symbol which helps calculate the bias point between two nets. Some or all of the circuit's nets may be given an initial guess. NODESET symbols are effective for the bias point (both small-signal and transient bias points) and for the first step of the DC sweep. It has no

PSpice User Guide

Setting initial state

effect during the rest of the DC sweep or during the transient analysis itself.

Unlike the IC pseudo-components, NODESET provides only an initial guess for some net voltages. It does not clamp those nodes to the specified voltages. However, by providing an initial guess, NODESET symbols may be used to break the tie (in a flip-flop, for instance) and make it come up in a desired state. To guess at the bias point, enter the initial guess in the Value text box for the VALUE property. PSpice A/D attaches a voltage source with a 0.0002 ohm series resistance to each net to which an IC symbol is connected.

These pseudo-components are netlisted as PSpice A/D .IC and .NODESET commands. Refer to these commands in the online *PSpice Reference Guide* for more information. Setpoints can be created for inductor currents and capacitor voltages using the IC property described in [Setting initial conditions](#) on page 846.

Setting initial conditions

The IC property allows initial conditions to be set on capacitors and inductors. These conditions are applied during all bias point calculations. However, if you select the Skip Initial Transient Solution check box in the Transient Analysis Setup dialog box, the bias point calculation is skipped and the simulation proceeds directly with transient analysis at TIME=0. Devices with the IC property defined start with the specified voltage or current value; however, all other such devices have an initial voltage or current of 0.

Note: Skipping the bias point calculation can make the transient analysis subject to convergence problems.

Applying an IC property for a capacitor has the same effect as applying one of the pseudo-components IC1 or IC2 across its nodes. PSpice attaches a voltage source with a 0.002 ohm series resistance in parallel with the capacitor. The IC property allows the user to associate the initial condition with a device, while the IC1 and IC2 pseudo-components allow the association to be with a node or node pair. See [Setpoints](#) on page 844 for more information about IC1 and IC2.

In the case of initial currents through inductors, the association is only with a device, and so there are no corresponding pseudo-components. The internal implementation is analogous to the capacitor. PSpice attaches a current source with a 1 Gohm parallel resistance in series with the inductor.

Convergence and “time step too small errors”

Appendix overview

This appendix discusses common errors and convergence problems in PSpice.

- [Introduction](#) on page 848
- [Diagnostics](#) on page 851
- [Bias Point \(DC\) Convergence](#) on page 853
- [DC Sweep Convergence](#) on page 857
- [Transient Convergence](#) on page 859

Introduction

In order to calculate the bias point, DC sweep and transient analysis for analog devices PSpice must solve a set of nonlinear equations which describe the circuit's behavior. This is accomplished by using an iterative technique—the Newton-Raphson algorithm—which starts by having an initial approximation to the solution and iteratively improves it until successive voltages and currents converge to the same result.

In a few cases PSpice cannot find a solution to the nonlinear circuit equations. This is generally called a “convergence problem” because the symptom is that the Newton-Raphson repeating series cannot converge onto a consistent set of voltages and currents. The following discussion gives some background on the algorithms in PSpice and some guidelines for avoiding convergence problems.

The transient analysis has the additional possibility of being unable to continue because the time step required becomes too small from something in the circuit moving too fast. This is also discussed below.

Note: The AC and noise analyses are linear and do not use an iterative algorithm, so the following discussion does not apply to them. Digital devices are evaluated using boolean algebra; this discussion does not apply to them either.

Newton-Raphson requirements

The Newton-Raphson algorithm is *guaranteed to converge to a solution*. However, this guarantee has some conditions:

1. The nonlinear equations must have a solution.
2. The equations must be continuous.
3. The algorithm needs the equations' derivatives.
4. The initial approximation must be close enough to the solution.

Each of these can be taken in order. Remember that the PSpice algorithms are used in computer hardware that has finite precision and finite dynamic range that produce these limits:

- Voltages and currents in PSpice are limited to +/-1e10 volts and amps.

PSpice User Guide

Convergence and “time step too small errors”

- Derivatives in PSpice are limited to 1e14.
- The arithmetic used in PSpice is double precision and has 15 digits of accuracy.

Is there a solution?

Yes, for any physically realistic circuit. However, it is not difficult to set up a circuit that has no solution within the limits of PSpice numerics.

Consider, for example, a voltage source of one megavolt connected to a resistor of one micro-ohm. This circuit does not have a solution within the dynamic range of currents (+/- 1e10 amps). Here is another example:

```
V1      1,      0      5v
D1      1,      0      DMOD
.MODEL          DMOD (IS=1e-16)
```

The problem here is that the diode model has no series resistance. To find out more about the diode equations, refer to the *Analog Devices* chapter in the online *PSpice Reference Guide*.

It can be shown that the current through a diode is:

$$I = IS * e^{V/(N * k * T / q)}$$

N defaults to one and k*T at room temperature is about .025 volts. So, in this example the current through the diode would be:

$$I = 1e-16 * e^{200} = 7.22e70 \text{ amps}$$

This circuit also does not have a solution within the limits of the dynamic range of PSpice. In general, be careful of components without limits built into them. Extra care is needed when using the expressions for controlled sources (such as for behavioral modeling). It is easy to write expressions with very large values.

Are the equations continuous?

The device equations built into PSpice are continuous. The functions available for behavioral modeling are also continuous (there are several functions, such as int(x), which cannot be added because of this). So, for physically realistic circuits the equations can also be continuous. Exceptions that come are usually from exceeding the

PSpice User Guide

Convergence and “time step too small errors”

limits of the numerics in PSpice. This example tries to approximate an ideal switch using the diode model:

```
.MODEL DMOD(IS=1e-16 N=1e-6)
```

The current through this diode is:

$$I = 1e-16 * e^{V/(N * .025)} = 1e-16 * e^{V/25e-9}$$

Because the denominator in the exponential is so small, the current I is essentially zero for $V < 0$ and almost infinite for $V > 0$. Even if there are external components that limit the current, the “knee” of the diode's I-V curve is so sharp that it is almost a discontinuity.

Note: Avoid unrealistic model parameters. Behavioral modeling expressions need extra care.

Are the derivatives correct?

The device equations built into PSpice include the derivatives, and these are correct. Depending on the device, the physical meaning of the derivatives can be small-signal conductance, transconductance or gain.

Unrealistic model parameters can exceed the limit of $1e14$, but it requires some effort. The main thing to look at is the behavioral modeling expressions, especially those having denominators.

Discontinuities in models characteristics and their derivatives cause:

1. Ambiguity in calculation of derivatives at point of discontinuity.
2. Conductance calculated in n th iteration cannot become a good guess for next iteration.
3. Sudden switching of operating regions (example diode switching from off to on) and hence false convergence.

Note: Transient analysis convergence failures are usually due to model discontinuities or unrealistic circuit, source, or parasitic modeling.

Is the initial approximation close enough?

Newton-Raphson is guaranteed to converge only if the analysis is started close to the answer. Also, there is no measurement that can tell how close is close enough.

PSpice gets around this by making heavy use of continuity. Each analysis starts from a known solution and uses a variable step size to find the next solution. If the next solution does not converge PSpice reduces the step size, falls back and tries again.

Incorrect initial estimates can cause convergence failure or even false convergence. Consider following scenarios:

- Power electronic circuits may NOT require tight current/voltage tolerances. Setting the value of ABSTOL to 1u will help in the case of circuits that have currents that are larger than several amps.
- Unless the circuit conducts kilo-Amperes of current, however, setting ABSTOL to a value that is greater than 1u will cause more convergence problems than it will solve.
- PSpice does not always converge when relaxed tolerances are used. For example, setting the tolerance option, RELTOL, to a value which is greater than .01 can actually cause convergence problems
- Setting GMIN to a value between 1n and 10n will often solve convergence problems.
- Setting GMIN to a value, which is greater than 10n, may cause convergence problems.

Diagnostics

If PSpice encounters a convergence problem it inserts into the output file a message that looks like the following.

```
ERROR -- Convergence problem in transient analysis at Time = 7.920E-03
Time step = 47.69E-15, minimum allowable step size = 300.0E-15
```

PSpice User Guide

Convergence and “time step too small errors”

These voltages failed to converge:

```
V(x2.23) =          1230.23 / -68.4137
V(x2.25) =          -1211.94 / 86.6888
```

These supply currents failed to converge:

```
I(X2.L1)  =          -36.6259 / 2.25682
I(X2.L2)  =          -36.5838 / 2.29898
```

These devices failed to converge:

```
X2.DCR3  X2.DCR4  x2.ktr  X2.Q1  X2.Q2
```

Last node voltages tried were:

NODE	VOLTAGE	NODE	VOLTAGE	NODE	VOLTAGE	NODE	VOLTAGE
(1)	25.2000	(3)	4.0000	(4)	0.0000	(6)	25.2030
(x2.23)	1230.2000	(X2.24)	9.1441	(x2.25)	-1211.9000	(X2.26)	256.9700
(X2.28)	-206.6100	(X2.29)	75.4870	(X2.30)	-25.0780	(X2.31)	26.2810
(X3.34)	1.771E-06	(X3.35)	1.0881	(X3.36)	.4279	(X2.XU1.6)	1.2636

The message always includes the banner (ERROR -- convergence problem ...) and the trailer (Last node voltages tried were ...). It cannot include all three of the middle blocks.

The Last node voltages tried... trailer shows the voltages tried at the last Newton-Raphson iteration. If any of the nodes have unreasonable large values this is a clue that these nodes are related to the problem. “These voltages failed to converge” lists the specific nodes which did not settle onto consistent values. It also shows their values for the last two iterations. “These supply currents failed converge” does the same for currents through voltage sources and inductors. If any of the listed numbers are +/- 1e10 then that is an indication that the value is being clipped from an unreasonable value. Finally, “These devices failed to converge” shows devices whose terminal currents or core fluxes did not settle onto consistent values.

The message gives a clue as to the part of the circuit which is causing the problem. Looking at those devices and/or nodes for the problems discussed above is recommended.

Bias Point (DC) Convergence

The hardest part of the whole process is getting started, that is, finding the bias point. PSpice first tries with the power supplies set to 100%. A solution is not guaranteed, but most of the time the PSpice algorithm finds one. If not, then the power supplies are cut back to almost zero. They are cut to a level small enough that *all nonlinearities are turned off*. When the circuit is linear a solution can be found (very near zero, of course). Then, PSpice works its way back up to 100% power supplies using a variable step size.

Once a bias point is found, the transient analysis can be run. It starts from a known solution (the bias point) and steps forward in time. The step size is variable and is reduced as needed to find further solutions.

In case the circuit fails to converge, you should first check the circuit topology and connectivity, followed by modelling of circuit components, and finally check if Pspice options are set properly.

Checking circuit topology and connectivity

- Make sure that all of the circuit connections are valid. Check for incorrect node numbering or dangling nodes. Also, verify component polarity.
- Check for syntax mistakes. Make sure that you used the correct PSPICE units (i.e. MEG for 1E6, not M, which means milli in simulations).
- PSpice checks for the following conditions and provides messages if they occur:
 - “Floating node” or “No DC path to ground” messages:
 - Make sure that there's a DC path from every node to ground.
 - Make sure that there are at least two connections at every node.
 - Make sure that capacitors and/or current sources are not connected in series.

PSpice User Guide

Convergence and "time step too small errors"

- Make sure that no (groups of) nodes are isolated from ground by current sources and/or capacitors.
- "Voltage source or inductor loop" message:
 - Make sure that there are no loops of only inductors and/or voltage sources.
- Place the ground (node 0) somewhere in the circuit. Be careful when you use floating grounds (e.g. chassis ground); you may need to connect a large resistor from the floating node to ground. All nodes will be reported as floating if "0 ground" is not used.
- Make sure that voltage/current generators use realistic values, and verify that the syntax is correct.
- Make sure that dependent source gains are correct, and that E/G element expressions are reasonable. Verify that division by zero or LOG(0) cannot occur.
- Make sure that there are no unrealistic model parameters; especially if you have manually entered the model into the netlist.
- Avoid using digital components, unless really necessary. Initialize the nodes with valid digital value to ensure the state is not ambiguous.

Modelling circuit components

- Semiconductors

The first consideration for semiconductors is to avoid physically unrealistic model parameters. As PSpice steps the power supplies up, it has to step carefully through the turn on transition for each device. In the diode example above, for the setting $N=1e-6$, the knee of the I-V curve would be too sharp for PSpice to maintain its continuity within the power supply step size limit of $1e-6$.

- Behavioral modeling expressions

Range limits: Voltages and currents in PSpice are limited to the range $\pm 1e10$. Care must be taken that the output of expressions falls within this range. This is especially important when one is building an electrical analog of a mechanical, hydraulic or other type of system.

PSpice User Guide

Convergence and "time step too small errors"

Source limits: Another consideration is that the controlled sources must turn off when the supplies are almost 0 (.001%). There is special code in PSpice which "squelches" the controlled sources in a continuous way near 0 supplies. However, care should still be taken using expressions that have denominators. Take, for example, a constant power load:

```
GLOAD 3, 5 VALUE = {2Watts/V(3,5)}
```

The first repeating series starts with $V(3,5) = 0$ and the current through GLOAD would be infinite (actually, the code in PSpice which does the division clips the result to a finite value). The "squelching" code is required to be a smooth and well-behaved function.

Note: The "squelching" code cannot be "strong" enough to suppress dividing by 0.

The result is that GLOAD does not turn off near 0 power supplies. A better way is described in the application note Modeling Constant Power Loads. The "squelching" code is sufficient for turning off all expressions except those having denominators. In general, though, it is good practice to constrain expressions having the LIMIT function to keep results within physically realistic bounds.

Example: A first approximation to an OPAMP that has an open loop gain of 100,000 is:

```
VOPAMP 3, 5 VALUE = {V(in+,in-)*1e5}
```

This has the undesirable property that there is no limit on the output.

A better expression is:

```
VOPAMP 3, 5 VALUE = + {LIMIT(V(in+,in-)*1e5,15v,-15v)}
```

where the output is limited to +/- 15 volts.

- Unguarded p-n junctions

A second consideration is to avoid "unguarded" p-n junctions (no series resistance).

- No leakage resistance

A third consideration is to avoid situations, which could have an ideal current source pushing current into a reverse-biased p-n junction without a shunt resistance. p-n junctions in PSpice have

PSpice User Guide

Convergence and “time step too small errors”

(almost) no leakage resistance and would cause the junction's voltage to go beyond 1e10 volts.

- Switches

PSpice switches have gain in their transition region. If several are cascaded then the cumulative gain can easily exceed the derivative limit of 1e14. This can happen when modeling simple logic gates using totem-pole switches and there are several gates cascaded in series. Usually a cascade of two switches works but three or more can cause trouble.

PSpice Options

- Increase ITL1 to 400 in the .OPTIONS statement.

Example: `.OPTIONS ITL1=400`

This increases the number of DC iterations that PSpice will perform before it gives up. In all but the most complex circuits, further increases in ITL1 won't typically aid convergence.

- Add .NODESETs

Example: `.NODESET V(6)=0`

Use NODESETs to set node voltages to the nearest reasonable guess at their DC values, particularly at nodes that are isolated by high impedances, and at nodes that are inputs to high gain devices. NODESETs do not "fix" the voltages at these nodes. They hold these voltages at the specified value while the rest of the circuit converges to a reasonably stable point, and then "releases" these voltages for a few more iterations to find the final, complete solution. Removing these voltages from the initial iterations, when voltages and currents are varying widely helps PSpice achieve convergence.

- STEPGMIN

Specifying the circuit analysis option STEPGMIN enables this (either using `.OPTION STEPGMIN` in the netlist, or by making the appropriate choice from the PSpice/Edit Simulation Profile... menu command, Options tab). When enabled, the GMIN stepping algorithm is applied after the circuit fails to converge with the power supplies at 100 percent, and if GMIN stepping also fails, the supplies are then cut back to almost zero and then stepped up.

PSpice User Guide

Convergence and “time step too small errors”

GMIN stepping attempts to find a solution by starting the repeating cycle with a large value of GMIN, initially 1.0e10 times the nominal value. If a solution is found at this setting it then reduces GMIN by a factor of 10, and tries again. This continues until either GMIN is back to the nominal value, or until PSpice fails to converge at one of the GMIN values on the way. In the latter case, GMIN is restored to the nominal value and the power supplies are stepped.

- Power supply stepping

As previously discussed, PSpice uses a proprietary algorithm which finds a continuous path from zero power supplies levels to 100%. It starts at almost zero (.001%) power supplies levels and works its way back up to the 100% levels. The minimum step size is 1e-6 (.0001%). The first repeating series of the first step starts at zero for all voltages. So modeling expressions, especially those having denominators that include voltages should be checked carefully.

- Set PREORDER in Simulation Profiles options

This is important while editing schematic for marginally convergent circuits. Setting PREORDER reduces dependency on the netlisting order thereby ensuring that the non convergence error does not occur because of the change in the netlisting order.

DC Sweep Convergence

The DC sweep uses a hybrid approach. It uses the bias point algorithm (varying the power supplies) to get started. For subsequent steps it uses the previous solution as the initial approximation. The sweep step is not variable, however. If a solution cannot be found at a step then the bias point algorithm is used for that step.

The whole process relies heavily on continuity. It also requires that the circuit be linear when the supplies are turned off.

Circuit topology and connectivity

This is same as in DC analysis. See [Checking circuit topology and connectivity](#) on page 853.

Modelling Checks

This is same as in DC analysis. [Modelling circuit components](#) on page 854.

PSpice Options

- Set ITL2=100 in the .OPTIONS statement.

Example: `.OPTIONS ITL2=100`

This increases the number of DC iterations that PSpice will attempt before it gives up.

- Increase or decrease the step values, which are used in the .DC sweep.

Example:

`.DC VCC 0 1 .1` becomes `.DC VCC 0 1 .01`

Discontinuities in the PSpice models can cause convergence problems. The use of larger steps may help to bypass the discontinuities, while the use of smaller steps may help PSpice find the intermediate answers, which will be used to find the point, which doesn't converge. In some cases, smaller steps can improve convergence, because they help PSpice find a "path" from the valid DC solution at one point to the valid solution at the next.

- Do not use the DC sweep analysis.

Example:

```
.DC VCC 0 5 .1
VCC 1 0
```

becomes

```
.TRAN .01 1
VCC 1 0 PULSE 0 5 0 1
```

In many cases, it is preferable to use the transient analysis to ramp the appropriate voltage and/or current sources. The transient analysis tends to be more robust, and is sometimes faster.

Transient Convergence

The transient analysis starts using a known solution - the bias point. It then uses the most recent solution as the first guess for each new time point. If necessary, the time step is cut back to keep the new time point close enough that the first guess allows the Newton-Raphson repeating series to converge. The time step is also adjusted to keep the integration of charges and fluxes accurate enough.

In theory the same considerations which were noted for the bias point calculation apply to the transient analysis. However, in practice they show up during the bias point calculation first and, hence, are corrected before a transient analysis is run.

The transient analysis can fail to complete if the time step gets too small. This can have two different effects:

1. The Newton-Raphson iterations would not converge even for the smallest time step size, or
2. Something in the circuit is moving faster than can be accommodated by the minimum step size.

The message PSpice puts into the output file specifies which condition occurred.

Circuit topology and connectivity

- Avoid using digital components, unless really necessary. Initialize the nodes with valid digital value to ensure no ambiguous state. These can cause time-step issues (time-step may unnecessary go too small) and hence transient convergence issue.
- Use RC snubbers around diodes.
- Add Capacitance for all semiconductor junctions (if no specific value is known: $C_{JO}=3\text{pF}$ for diodes, C_{JC} & $C_{JE}=5\text{pF}$ for BJTs, C_{GS} and $C_{GD}=5\text{pF}$ for JFETs and GaAsFETs, C_{GDO} & $C_{GSO}=5\text{pF}$ for MOSFETs if no specific value is known).
- Add realistic circuit and element parasitics.

PSpice User Guide

Convergence and "time step too small errors"

- Look for waveforms that transition vertically (up or down) at the point during which the analysis halts. These are the key nodes, which should be examined for problems.
- Increase the rise/fall times of the PULSE sources; e.g. from 1f to 1u.

Example:

```
VCC 1 0 PULSE 0 1 0 1f 1f
```

becomes

```
VCC 1 0 PULSE 0 1 0 1U 1U
```

An effort should be made to smooth strong non-linearities. The pulse times should be realistic, not ideal. If no rise or fall time values are given, or if 0 is specified, the rise and fall times will be set to the TSTEP value in the .TRAN statement (set in the Output File Options of the Time Domain (Transient) analysis settings in the simulation profile.

- Ensure that there is no unreasonably large capacitor or inductor

If the transient analysis fails at the first time point then usually there is an unreasonably large capacitor or inductor. Usually this is due to a typographical error. Consider the following capacitor:

```
C 1 3, 0 10uf
```

"10" (has the letter O) should have been "10." This capacitor has a value of one farad, not 10 microfarads. An easy way to catch these is to use the LIST option (on the .OPTIONS command).

LIST

The LIST option can echo back all the devices into the output file *that have their values in scientific notation*.

That makes it easy to spot any unusual values. This kind of problem does not show up during the bias point calculation because capacitors and inductors do not participate in the bias point.

Similar comments apply to the parasitic capacitance parameters in transistor (and diode) models. These are normally echoed to the output file (the NOMOD option suppresses the echo but the default is to echo). As in the LIST output, the model parameters are echoed in scientific notation making it easy to spot unusual values. A further

PSpice User Guide

Convergence and “time step too small errors”

diagnostic is to ask for the detailed operating bias point (.TRAN/OP) information.

.TRAN/OP

This lists the small-signal parameters for each semiconductor device including the calculated parasitic capacitances.

Realistically Model Circuit; add parasitics, especially stray/junction capacitance

The idea here is to smooth any strong non-linearities or discontinuities. This may be accomplished via the addition of capacitance to various nodes and verifying that all semiconductor junctions have capacitance. Other tips include:

- **Bipolar transistors substrate junction**

The UC Berkeley SPICE contains an unfortunate convention for the substrate node of bipolar transistors. The collector-substrate p-n junction has no DC component. If the capacitance model parameters are specified (e.g., CJS) then the junction has (voltage-dependent) capacitance but no DC current. This can lead to a sneaky problem: if the junction is inadvertently forward-biased it can create a very large capacitance. The capacitance goes as a power of the junction voltage. Normal junctions cannot sustain much forward voltage because a large current flows. The collector-substrate junction is an exception because it has no DC current. If this happens it usually shows up at the first time step. It can be spotted turning on the detailed operating point information (.TRAN/OP) and looking at the calculated value of CJS for bipolar transistors. The whole problem can be prevented by using the PSpice model parameter ISS. This parameter "turns on" the DC current for the substrate junction.

- **Parasitic capacitances**

It is important that switching times be nonzero. This is assured if devices have parasitic capacitances. The semiconductor model libraries in PSpice have such capacitances. If switches and/or controlled sources are used, then care should be taken to assure that no sections of circuitry can try to switch in zero time. In practice this means that if any positive feedback loops exist

PSpice User Guide

Convergence and “time step too small errors”

(such as a Schmidt trigger built out of switches) then such loops should include capacitances.

Another way of saying all this is that during transient analysis the circuit equations must be continuous over time (just as during the bias point calculation the equations must be continuous with the power supply level).

■ Inductors and transformers

While the impedance of capacitors gets lower at high frequencies (and small time steps) the impedance of inductors gets higher.

Note: The inductors in PSpice have an infinite bandwidth.

Real inductors have a finite bandwidth due to eddy current losses and/or skin effect. At high frequencies the effective inductance drops.

Another way to say this is that physical inductors have a frequency at which their Q begins to roll off. The inductors in PSpice have no such limit. This can lead to very fast spikes as transistors (and diodes) connected to inductors turn on and off. The fast spikes, in turn, can force PSpice to take unrealistically small time steps.

- It is recommended that all inductors have a parallel resistor (series resistance is good for modeling DC effects but does not limit the inductor's bandwidth). The parallel resistor gives a good model for eddy current loss and limits the bandwidth of the inductor. The size of resistor should be set to be equal to the inductor's impedance at the frequency at which its Q begins to roll off. The value of this resistor can be calculated using the following formula:

$$R = 2 \times \Pi \times f \times L$$

where f is the roll-off frequency.

Adding parallel resistors limits the inductor impedance at high frequencies.

Example:

A common one milli-henry iron core inductor begins to roll off at no less than 100KHz. A good resistor value to use in parallel is then $R = 2 \times \pi \times 100 \times 10^3 \times 0.001 = 628$ ohms. Below the roll-off

frequency the inductor dominates; above it the resistor does. This keeps the width of spikes from becoming unreasonably narrow.

PSpice options

TIME, the simulation time during transient analysis, is a double precision variable which gives it about 15 digits of accuracy. The dynamic range is set to be 15 digits minus the number of digits of accuracy required by RELTOL. For a default value of RELTOL = .001 (.1% or 3 digits) this gives $15-3 = 12$ digits. This means that the minimum time step is the overall run time (TSTOP) divided by $1e12$. The dynamic range is large but finite.

It is possible to exceed this dynamic range in some circuits. Consider, for example, a timer circuit which charges up a 100uF capacitor to provide a delay of 100 seconds. At a certain threshold a comparator turns on a power MOSFET. The overall simulation time is 100 seconds. For default RELTOL this gives us a minimum time step of 100 picoseconds. If the comparator and other circuitry has portions that switch in a nanosecond then PSpice needs steps of less than 100 picoseconds to calculate the transition accurately.

- Set RELTOL=.01 in the .OPTIONS statement.

Example:

```
.OPTIONS RELTOL=.01
```

This option is encouraged for most simulations, since the reduction of Reltol can increase the simulation speed by 10 to 50%. Only a minor loss in accuracy usually results. A useful recommendation is to set Reltol to .01 for initial simulations, and then reset it to its default value of .001 when you have the simulation running the way you like it and a more accurate answer is required. Setting Reltol to a value less than .001 is generally not required.

- Reduce the accuracy of ABSTOL/VNTOL if current/voltage levels allow it.

Example:

```
.OPTION ABSTOL=1N VNTOL=1M
```

Abstol and Vntol should be set to about 8 orders of magnitude below the level of the maximum voltage and current. The default

PSpice User Guide

Convergence and “time step too small errors”

values are $Abstol=1pA$ and $Vntol=1uV$. These values are generally associated with IC designs.

- Increase ITL4, but to no more than 100, in the .OPTIONS statement.

Example:

```
.OPTIONS ITL4=40
```

This increases the number of transient iterations that PSpice will attempt at each time point before it gives up. This is particularly effective at solving convergence problems when the simulation needs to cover a long time period, and fast transitions occur within the circuit during that time. Values greater than 100 won't usually bring convergence; unnecessarily large values can cause.

- Skipping the bias point

The SKIPBP option for the transient analysis skips the bias point calculation. In this case the transient analysis has no known solution to start from and, therefore, is not assured of converging at the first time point. Because of this, its use is not recommended. Its inclusion in PSpice is to maintain compatibility with UC Berkeley SPICE. SKIPBP has the same meaning as UIC in Berkeley SPICE. UIC is not needed in order to specify initial conditions.

It should be used as a last resort if there is trouble getting the transient analysis to start because the DC operating point can't be calculated. The initial guess for dc could be made from results of such transient analysis; and then transient analysis could be re-run with operating point. You should add any applicable .IC and IC= initial conditions statements to assist in the initial stages of the transient analysis. Be careful when you set initial conditions, for a poor setting may cause convergence difficulties.

- Increasing the ABSTOL and CHGTOL

While modeling a mechanical system with an RC circuit, where capacitors are in the order of Farad and current impulses is around $10x A$, increase CHGTOL and ABSTOL by six order of magnitude. For example, change CHGTOL from $0.01e-012$ to $0.01e-006$. Simulate the circuit and then start tightening the ABSTOL and CHGTOL values until a convergence error is

PSpice User Guide

Convergence and “time step too small errors”

generated. Once a convergence error is generated, you can revert one step to get the solution.

- Set the DIGSTEPBACK option

```
.OPTIONS DIGSTEPBACK
```

Setting this option might prove useful in cases where you have convergence problems in a circuit with digital components and you are trying to converge using Solver 1.

Though setting DIGSTEPBACK option might work, it is recommended that you should use solver 0 simulation algorithm to obtain a solution.



Solver 1 and Solver 0 are two matrix solving algorithms used by PSpice. By default, Solver 1 that has better convergence property, is used. But at times, for a circuit with convergence problems changing the simulation algorithm to Solver 0 helps. To change the simulation algorithm from Solver 1 to Solver 0, open the circuit in the schematic editor. From the *PSpice* menu choose *Edit Simulation Profile*. In the *Simulation Settings* dialog box, select the *Options* tab. Select the General node of the *Analog Advanced tree* in the *Options* button. Change the *Simulation algorithm (SOLVER)* from `default` to 0.

Note: For more information on all PSpice options, refer to the `.OPTIONS(analysis options)` section in *PSpice Reference Guide*.

PSpice User Guide

Convergence and “time step too small errors”

Importing Spice Models

Appendix Overview

This appendix covers the process to be followed for importing Spice models downloaded from a web site, into PSpice and making them ready to be used in a circuit. The sections covered in this appendix are:

- [Introduction](#) on page 868
- [Importing text models](#) on page 868
- [Generating Part Symbols](#) on page 869
- [Configuring new model library](#) on page 875
- [Editing Model Editor created symbols](#) on page 877

Introduction

Usually, the Spice models downloaded from a Vendor's web site cannot be used directly in PSpice. This document covers the steps to be covered before you can successfully use the downloaded models for designing your circuits.

Before you can use the simulation models downloaded from a web site in your design, you need to perform following steps:

- [Importing text models](#)
- [Generating Part Symbols](#)
- [Configuring new model library](#)

Importing text models

To import the downloaded Spice models into PSpice, you need to perform the following steps.

1. Rename the downloaded model to have the `.MOD` extension.

Note: Renaming is required only if the downloaded model does not have a `.MOD` extension. For example, renaming will be required if the download model has a `.txt` extension.

2. Launch the Model Editor.
3. Open a new or your custom model library.
4. From the Model menu, choose Import.
5. In the Open dialog box, select the downloaded model with the `.MOD` extension and select Open.

Note: Only the first model in the `.MOD` file is imported. Therefore, it is recommended that the `.MOD` file should not have more than one model.

6. From the file Menu, choose Save As. In the Save As dialog box, specify the name and location of new model library as
`<installation_directory>\tools\Pspice\library\userlib.`

Note: It is preferable to create you own USERLIB library folder

to store all of your custom part and model libraries for better library management. It is important that you back up your custom libraries and projects on a regular basis to avoid loss of work.

Generating Part Symbols

After you have imported the downloaded model into PSpice, you need to generate part symbols for the model. You can associate a model to a symbol either by [Creating New Symbols](#) or by [Using symbols from an existing symbol library](#) or by [Using Model Import wizard](#).

Creating New Symbols

You can create Capture symbols for the imported/downloaded models. Using Model Editor you can either create parts for all the models in a library or you can enable the auto part generation feature in Model Editor, such that part is created every time you save a model.

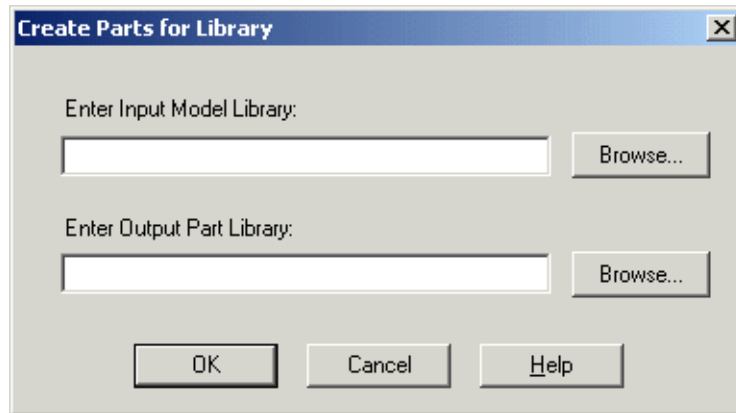
Creating symbol for the complete library

1. Open the Model Editor.
2. From the *Tools* menu, choose *Options*.
3. Select Capture as the schematic editor and close the *Options* dialog box.

PSpice User Guide

Importing Spice Models

4. From the *File* menu, choose *Export to Capture Part Library*.



5. Specify the location of the model library (`.LIB`) for which you want the symbols to be created.
6. Specify the location of the part library (`.OLB`) to be created and select OK.
7. A message box appears displaying status of part creation process. Select OK to close the message box.

Note: Any errors or warning messages that are generated during the part creation, are saved in a log file named `<library_name>.err`. Referring to the contents of the `.err` file might be helpful, in cases where part creating fails.

Creating symbol for a model

1. From the *Tools* menu, choose *Options*.
2. To enable part creation every time you save a model, select the *Always Create Part when Saving Model* check box.
3. Select *Capture* as the schematic editor.
4. Using the *Save Part To* group box, specify the library in which the new part should be saved and close the *Options* dialog box.

After making the modifications in the *Options* dialog box, a symbol will be generated for the part every time you save the changes in your custom model. The generated symbol will have the same name as that of the simulation model. The name and location of the part library (`.OLB`) will be same as that of the model library (`.LIB`).

 *Important*

If the downloaded Spice model is of .SUBCKT type, the Model Editor generates a rectangular symbol. You can edit the Model Editor generated symbol shapes. For more information, see [Editing Model Editor created symbols](#).

Using symbols from an existing symbol library

Instead of creating a new symbol from scratch, you can use a symbol from an existing part library, and associate it with the downloaded model. Using symbols from an existing library involves following steps:

- [Copying the symbol](#)
 - [Copying parts within the same library](#)
 - [Copying a part to another library](#)
- [Modifying the IMPLEMENTATION property](#)

Before you can use a part symbol from an existing OLB, you need to know the type of simulation model attached with the source part. If the original part symbol is attached to a device characteristic curves-based PSpice model, you only need to modify the implementation property. In case the original part symbol is attached to a template-based PSpice model, you will need to add the IMPLEMENTATION and the PSPICETEMPLATE property to the copied model.

 *Caution*

It is recommended that unless you are very comfortable with different types of simulation models supported by PSpice, you should avoid situations where PSPICETEMPLATE property needs to be changed. You can either create symbols using the Model Editor or if you want to copy a symbol, select a symbol of same type and change the IMPLEMENTATION property.

Copying the symbol

Before you copy the part symbol, it is recommended that you create a custom Userlib folder to store your custom symbol and model libraries. Create a sub folder in the pspice folder called Userlib to store your custom libraries.

- ➔ To create a new library in Capture, from the File menu, choose New and then from the submenu, choose Library.

Copying parts within the same library

Capture does not allow direct copying and pasting of a part in the same library. Therefore, you need to complete the following steps:

1. In Capture, open the symbol library from which you want to copy the symbol. From the File menu, choose Open and then choose Library.
2. Click on the part to be copied so that it becomes highlighted.
3. From the *Edit* menu choose *Copy*.
4. Right-click on the part you just copied and select *Rename*.
5. Type in the name of the new part and click OK.
6. From the *Edit* menu, choose *Paste* to paste the original part back into the library.

Copying a part to another library

1. Open two part libraries in Capture. First, the source library from which the part is to be copied and the second, the destination library to which the model is to be copied. From the *File* menu, choose *Open / Library*.
2. In the Project Manager for the symbol library, position the libraries in a way to enable dragging the part from one library to another.
3. While holding down the `Ctrl` key, drag and drop the required part from the source library to the destination library.

Note: Alternatively, you can copy the desired part with '*Edit / Copy*' and '*Edit / Paste*' commands.

4. Right click on the part you just copied, select *Rename*, and give the part the desired part name.

Modifying the IMPLEMENTATION property

If you have used existing part symbols, you must ensure that the symbols you have copied and renamed point to the correct model. The part to model referencing is done using the Implementation property.

1. To edit the value of the IMPLEMENTATION property, open the property editor by double clicking on the part. Alternatively, right-click on the part and from the popup menu choose *Edit Properties*.
2. In the *Property Editor* dialog box, ensure that the *Implementation Type* is set to *PSpice Model*.
3. Change the value of the *Implementation* property to the name specified in the model library (.LIB) file.

Note: In case IMPLEMENTATION property is not already present, click *New Row*. In the *Add New Row* dialog box, specify *Name* as `Implementation` and *Value* as the name of the simulation model in the .LIB file.

Important

You need not specify any value in the IMPLEMENTATION PATH field, because PSpice will search the model only in the libraries that are configured for the project. Model libraries will be searched in the same sequence as listed in the Library Files list box in the Libraries tab of the simulation setting dialog box.

Adding PSPICETEMPLATE property

The PSPICE TEMPLATE property is required if you want to simulate the part. This property defines the PSpice syntax required for the netlisting the part. This property is not required for parts based on PSpice provided templates. For detailed information on PSPICETEMPLATE property, see [PSPICETEMPLATE](#) on page 312.

Using Model Import wizard

You can use the Model Import wizard either to generate a symbol for the imported model or to associate an existing model to the imported symbol.

Launching Model Import wizard

You can invoke Model Import wizard, using one of the methods listed below.

- Using File menu
 - a. From the File menu in Model Editor, choose Model Import Wizard [Capture].
- Using Tools menu
 - a. From the Tools menu, choose Options.
 - b. Select the *Always Create Part When Saving Model* check box.
 - c. Select the *Pick symbols manually* check box.
 - d. Click OK.

Model Import wizard is launched whenever you save the model.

Associating Model

If you launch Model Import wizard from the File menu, in the first page of the wizard, you need to specify the path to the input simulation library as well as the location of the destination symbol library and click Next.

Model Import wizard starts the process of associate a symbol to the downloaded simulation model.

In the Associate/Replace Symbol page of the wizard, you can view the symbol associated with the downloaded model and if required, replace it with the symbol of your own choice.

1. Select the Replace Symbol button.

Note: If no symbol was associated to the model by the Model Import wizard, use the Associate Symbol button that is available instead of the Replace Symbol button.

2. In the Select Matching page of the wizard, specify the path to the symbol library containing the symbol to be associated with the downloaded model.
3. From the Matching Symbols list, select the symbol that you want to associate with the downloaded model and click the Save Symbol button.
4. In the Associate/Replace Symbol page, the selected symbol name appears against the downloaded model name. Click Finish to save your changes to the symbol library.

When you use the Model Import wizard to generate or associate symbols to a downloaded model, all the required properties, such as IMPLEMENTATION TYPE, IMPLEMENTATION, and PSPICETEMPLATE, are also updated. Therefore, you need not modify these properties manually.

Configuring new model library

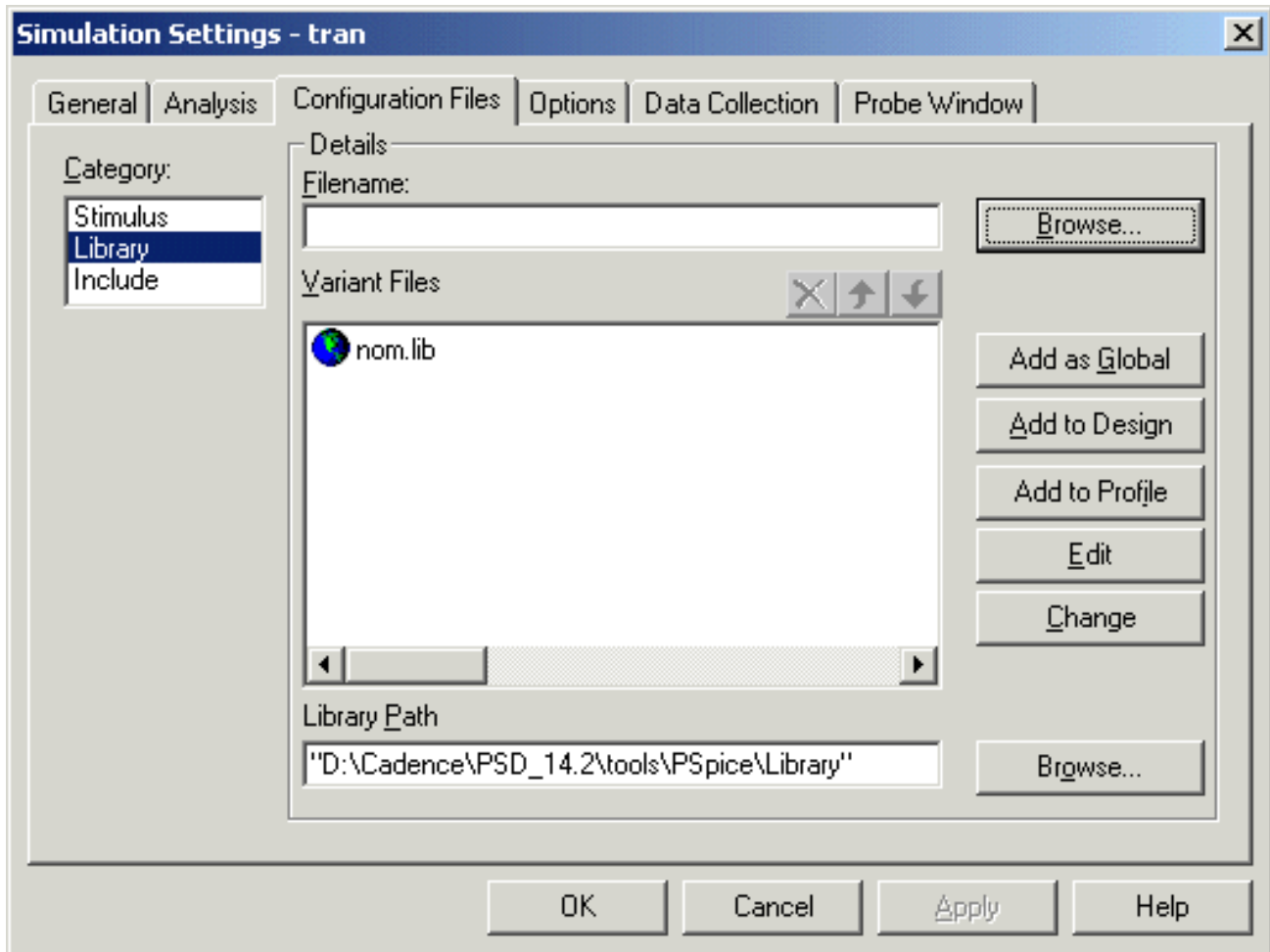
After you have generated the part library for a new/customized model library, you need to make the model library available to the design. To ensure this you need to add the model library containing your custom simulation models to the project simulation profile.

1. In Capture, open your Analog or Mixed-Circuit project.
2. From the *PSpice* menu choose *Edit Simulation Profile*.
3. Select the *Configuration Files* tab.
4. In the *Category* list box, select *Library*.
5. In the Filename text box, specify the location of the model library.

PSpice User Guide

Importing Spice Models

6. To make the library available to all designs, click *Add as Global*. If you want the library to be used only in the current design, select *Add to Design* and close the *Simulation Settings* dialog box.



Note: Instead of editing a simulation profile, you can also create a new simulation profile. To do this, choose *New Simulation Profile* from the *PSpice* menu in Capture.

Editing Model Editor created symbols

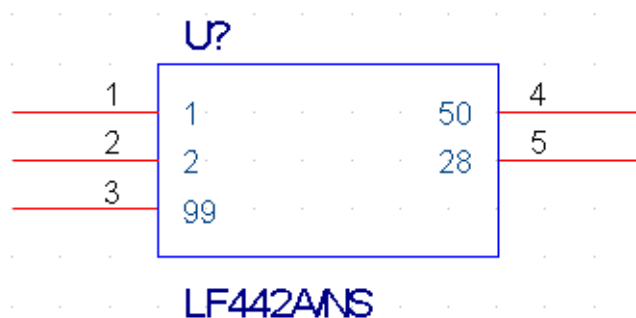
Depending on the model definition, different symbol shapes are generated by the Model Editor. Regular symbol shapes are generated for the standard PSpice primitive models that are defined using the `.MODEL` statement. For devices based on a more complicated subcircuit model definition, `.SUBCKT`, a generic rectangle is created that interfaces with the subcircuit model.

For example, if the downloaded simulation model is an OPAMP model defined using a `.SUBCKT` statement, the symbol generated by the Model Editor will be a generic rectangular graphic with pins attached.

In such cases, you can edit the symbol created by the Model Editor. This section demonstrates the steps for editing the symbol generated using the Model Editor for an OPAMP simulation model `LF442A.MOD`, downloaded from the National Semiconductor's web site. `LF442A` is a Dual Low Power JFET Input Operational Amplifier. After you download the simulation model, use the Model Editor to generate the part symbol, as explained in the [Generating Part Symbols](#) section.

1. After the symbol generation is complete, open the Model Editor created symbol library in Capture.
 - a. Launch Capture. From the Start menu choose *Programs > Installed OrCAD release > Capture*.
 - b. From the *File* menu in Capture, choose *Open > Library*.
2. Double click on the part for which the symbol is to be modified.

The part symbol appears as shown below.



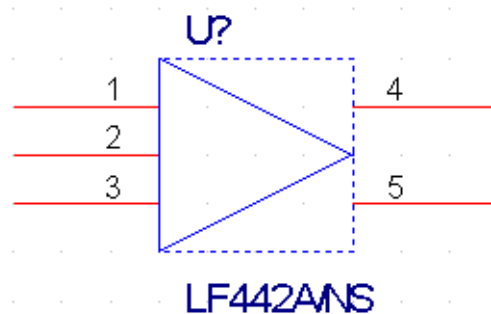
PSpice User Guide

Importing Spice Models

Instead of a regular triangular graphic, a rectangular graphic is generated. The numbers inside the rectangle are the pin names and the numbers outside the rectangle represent pin numbers.

You will now edit the Model Editor generated symbol to have a triangular shape.

3. Delete the shape within the dotted line.
4. Redraw the required figure.
For an OPAMP the required figure is a triangle.
 - a. From the *Place* menu, choose *Line*.
 - b. Draw a triangle as shown below.



Note: For detailed procedure see the *Editing part graphics* section in *Chapter 5, Creating parts for models* of the PSpice User Guide.

5. Reposition the pins such that the inverting and the non inverting inputs are on the top left and bottom left of the modified symbol. The positive power supply should be on the top and the negative power supply at the bottom. The Output pin should be placed to the right of the modified symbol.

For repositioning pins you need to refer to the pin names as well as the model definition. This is because the pin names are used for model definition.

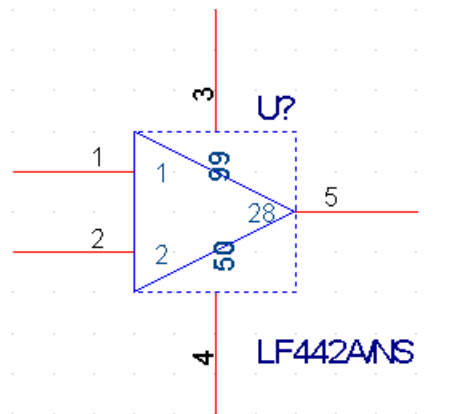
PSpice User Guide

Importing Spice Models

The relevant section from the model definition for LF442A relating pin names is shown below:

```
* LF442A Dual Low Power JFET Input Operational Amplifier
* ////////////////////////////////////////////////////////////////////
*
* Connections:      Non-inverting input
*                   |      Inverting input
*                   |      |      Positive power supply
*                   |      |      |      Negative power supply
*                   |      |      |      |      Output
*                   |      |      |      |      |
*                   |      |      |      |      |
*                   |      |      |      |      |
* .SUBCKT LF442A/NS 1  2  99  50  28
*
* Features:
```

Reposition the OPAMP pins as shown in the figure below:



Using the line tool, draw lines to join pin numbers 3 and 4 to the modified symbol.

6. You can also change the pin numbers and the pin type using the *Pin Properties* dialog box.

Important

Do not change the pin name because pin names are used in the model library (.lib) file for model definition.

7. After modifying the symbol as per your specifications, save the symbol and the part library.

You can now use the modified symbol in your design.

PSpice User Guide

Importing Spice Models

For more details on creating custom parts see, [Editing part graphics \(Capture only\)](#) and [Basing new parts on a custom set of parts](#) in Chapter 5, [Creating parts for models](#).

Index

Symbols

.ALS file [443](#)
 .CIR files [51](#)
 .cmrk files [52](#)
 .DAT files [56](#), [721](#), [733](#), [739](#)
 .dmap files [52](#)
 .INC files [54](#), [244](#), [246](#)
 .LIB files [54](#)
 .map files [52](#)
 .mcp file [572](#)
 .NET files [50](#)
 .OUT files [56](#), [98](#)
 .PRB files [705](#) to [707](#)
 .STL files [54](#), [543](#)
 .STM files [54](#)

A

A/D Lite, PSpice product [28](#), [31](#)
 ABM

 ABM (analog behavioral modeling) [323](#) to [375](#)
 ABM part templates [328](#)
 ABM.OLB [325](#)
 basic components [329](#), [332](#)
 basic controlled sources [375](#)
 behavioral [154](#)
 cautions and recommendations for simulation [369](#)
 Chebyshev filters [329](#), [334](#), [373](#)
 control system parts [329](#)
 custom parts [375](#)
 expression parts [331](#), [349](#)
 frequency domain device models [364](#)
 frequency domain parts [364](#), [370](#)
 frequency table parts [356](#), [366](#), [373](#)
 instantaneous models [358](#), [369](#)
 integrators and differentiators [330](#), [338](#)
 Laplace transform [330](#), [344](#), [356](#), [364](#), [370](#)
 limiters [329](#), [333](#)
 math functions [330](#), [348](#)
 mathematical expressions [356](#)
 overview [324](#)

 placing and specifying ABM parts [326](#)
 PSpice A/D-equivalent parts [356](#), [357](#)
 signal names [323](#)
 simulation accuracy [374](#)
 syntax [357](#)
 table look-up [330](#), [339](#), [356](#), [362](#)
 triode modeling example [353](#)
 AC stimulus property [497](#)
 AC sweep analysis [420](#), [494](#) to [504](#)
 about [494](#)
 displaying simulation results [120](#)
 example [116](#), [500](#)
 introduction [41](#)
 noise analysis [420](#), [505](#) to [513](#)
 setup [116](#), [494](#), [498](#)
 stimulus [495](#)
 treatment of nonlinear devices [502](#)
 accelerator keys, *see* online PSpice Help
 ACMAG stimulus property [497](#)
 ACPHASE stimulus property [497](#)
 Advanced Analog Options dialog box [435](#)
 advanced analysis libraries [38](#), [145](#)
 algorithms
 see also models
 analog and digital in PSpice A/D [26](#)
 built in to PSpice [189](#)
 Newton-Raphson [848](#)
 solution algorithms [435](#)
 ambiguity
 cumulative hazard [647](#)
 analog behavioral modeling, *see* ABM
 analog parts, *see* parts
 analyses
 AC sweep [116](#), [420](#), [494](#) to [504](#)
 bias point [96](#), [420](#), [485](#) to [486](#)
 DC sensitivity [420](#), [490](#)
 DC sweep [99](#), [420](#), [474](#) to [483](#)
 digital worst-case timing [667](#) to [682](#)
 Fourier [421](#), [562](#)
 frequency response [420](#)
 Monte Carlo [421](#), [578](#) to [601](#)
 noise [420](#), [505](#) to [513](#)
 overview [40](#), [420](#)
 parametric [123](#), [421](#), [515](#) to ??, [516](#) to ??, [525](#)
 performance analysis [134](#), [519](#)

PSpice User Guide

sensitivity/worst-case [421](#), [602](#) to [614](#)
setup [421](#)
small-signal DC transfer [420](#),
[487](#) to [489](#)
statistical, *see* Monte Carlo or sensitivity
/ worst-case analyses
temperature [421](#), [526](#) to [528](#)
transient [108](#) to [??](#), [420](#), [531](#) to [563](#)
types [40](#) to [44](#), [420](#)
appending
 waveform data files in Probe [688](#), [733](#)
approximation, problems [851](#)
arithmetic functions for Probe [779](#)
ASCII waveform data [738](#)
AtoD interface, *see* mixed analog/digital
 circuits

B

bias point
 save/load [842](#)
bias point detail analysis [485](#) to [486](#)
 example [96](#)
 introduction [40](#)
bias point display [829](#)
bias point menu [832](#)
bipolar transistors
 see also parts
Bode plot
 example [121](#)
 using plot window templates [41](#),
 [708](#) to [??](#)
Boolean expression example [409](#)

C

capacitors, *see* parts
Capture
 Add Library button [77](#)
 advanced markers [119](#)
 bias point analysis setup [485](#)
 Create PSpice Project dialog box [77](#)
 Parts Spreadsheet [83](#)
 Place Part dialog box [77](#)
 Property Editor [83](#)
 simulate a circuit from [96](#)
 starting Model Editor from [216](#)
 starting Stimulus Editor from [545](#)
Model Import Wizard [284](#)

Capture vs. PSpice Schematics with bias
 point display [840](#)
causal [341](#), [372](#)
cds.lib file in Design Entry HDL [69](#)
charge storage nets [395](#)
circuit file (.CIR) [51](#)
 simulating multiple circuits [451](#)
color printing, waveforms [691](#)
COMMANDn stimulus property
 (digital) [629](#)
Common Simulation Data Format
 (CSDF) [738](#)
components, *see* parts [152](#)
configuring [694](#)
 model libraries [243](#) to [253](#)
 overview [55](#)
 stimulus files [544](#)
 strength scale [398](#)
 waveform display [697](#)
 waveform update intervals [699](#)
connection, node [184](#)
continuous equations
 problems [849](#)
controlling the display of bias points [834](#)
convergence hazard [647](#)
convergence hazard, digital worst-case
 timing [673](#)
convergence problems
 approximations [851](#)
 continuous equations [849](#)
 derivatives [850](#)
 diagnostics [851](#)
 Newton-Raphson requirements [848](#)
Create Subcircuit Format Netlist
 command [197](#), [237](#)
Creating
 Advanced Analysis-enabled Pspice
 models [209](#)
 parameterized models [209](#)
 Creating Capture parts [282](#)
 Creating models
 based on device characteristic
 curves [203](#)
 based on PSpice templates [209](#)
 creating parts
 interactive mode [284](#)
 critical hazard, digital worst-case
 timing [674](#)
 CSDF, Common Simulation Data
 Format [738](#)
 current bias points [839](#)

PSpice User Guide

cursors, waveform analysis [758](#) to ??
custom part creation for models [300](#)
 using the Model Editor [281](#)

D

data collection, limiting [722](#)
data collection, limiting file size [722](#)
DC analyses
 displaying simulation results [101](#)
 see also DC sweep analysis, bias point
 detail analysis, small-signal DC
 transfer analysis, DC sensitivity
 analysis
DC sensitivity analysis [420](#), [490](#)
 introduction [40](#)
DC stimulus property [480](#)
DC sweep analysis [420](#), [474](#) to [483](#)
 about [476](#)
 curve families [482](#)
 example [99](#)
 introduction [40](#)
 nested [480](#)
 setting up [99](#)
 stimulus [479](#)
DELAY stimulus property (digital) [628](#)
derivative
 problems [850](#)
design
 preparing for simulation [47](#), [140](#)
Design Entry HDL
 library structure [64](#) to [70](#)
 local (design) libraries [68](#)
 reference libraries [66](#)
 simulate a design from within [97](#)
 views [68](#), ?? to [69](#)
Design Templates [93](#)
DESIGN_NAME.MAP [52](#)
DESIGN_NAME.NET [51](#)
DESIGN_NAME-ROOT_SCHEMATIC_NAME.NET [51](#)
DESIGN_NAME-ROOT_SCHEMATIC_NAME-PROFILE_NAME.SIM.CIR [51](#)
developer's kit, PSpice (call Customer Support) [30](#)
Device Equations Developer's Kit (call Customer Support) [30](#)
device noise [506](#), [509](#)
Device types
 characteristic curves-based [208](#)

 template-based [211](#)
device types
 breakout parts [154](#)
 E and G devices [357](#)
 Model Editor [208](#), [211](#)
 passive parts [152](#)
 PSpice-equivalent parts [356](#)
 three- and four-terminal [430](#)
devices, *see* parts or models
diagnostic problems [851](#)
dialog box
 Advanced Analog Options [435](#)
 Arguments for Measurement Evaluation [793](#)
 Display Control (Probe) [705](#)
 Display Measurement Evaluation [797](#)
 Measurements [792](#)
 Simulation Message Summary [766](#)
 Traces for Measurement Arguments [794](#)
DIG_GND stimulus property (digital) [629](#)
DIG_PWR stimulus property (digital) [629](#)
DIGDRVF (strengths) [399](#)
DIGDRVZ (strengths) [399](#)
DIGERRDEFAULT (simulation option) [648](#)
DIGERRLIMIT (simulation option) [648](#)
DIGIOLVL (simulation option) [385](#)
digital device modeling [377](#) to [413](#)
 digital primitives list ?? to [383](#)
 digital primitives syntax [384](#) to ??
 example "U" device declaration [386](#)
 functional behavior [379](#)
 inertial delay [392](#)
 input/output characteristics [394](#) to [404](#)
 AtoD and DtoA subcircuits [401](#)
 charge storage on nets [400](#)
 configuring the strength scale [398](#)
 controlling overdrive [399](#)
 defining output strengths [397](#)
 I/O model [394](#)
 I/O model parameters [396](#)
 internal delay functions [391](#)
 overview [378](#)
 propagation delay calculation [391](#)
 timing characteristics [388](#) to [393](#)
 timing model [388](#)
 unspecified propagation delays
 unspecified timing constraints [390](#)
 transport delay [393](#)
digital primitives
 see also parts

PSpice User Guide

- input (N device) [401](#)
- output (O device) [401](#)
- propagation delays, *see* timing model
- syntax [384](#)
- timing model, *see* timing model
- digital signals, *see* traces
- digital simulation ?? to [649](#)
 - adding digital trace expressions [639](#)
 - ambiguity convergence hazard [645](#)
 - analyzing results [637](#)
 - controlling warning messages [646](#)
 - displaying waveforms [638](#)
 - hazard messages [647](#)
 - inertial delay [392](#)
 - initialization options [636](#)
 - internal delay functions [391](#)
 - messages [646](#)
 - output control options [648](#)
 - plotting results [639](#), [641](#)
 - propagation delays, *see* timing model
 - severity level messages [648](#)
 - states [397](#), [617](#)
 - strengths [397](#)
 - timing characteristics [388](#) to [393](#)
 - timing model [388](#)
 - timing constraints, unspecified [390](#)
 - timing violation messages [646](#)
 - timing violations and hazards [644](#)
 - transport delay [393](#)
 - vector file [825](#)
 - waveform display [744](#), [779](#), [782](#)
 - worst-case timing [667](#) to ??, [667](#) to ??
- digital worst-case timing [667](#) to ??, [667](#) to [682](#)
 - ambiguity in the feedback path [676](#)
 - ambiguity region [670](#)
 - compared to analog worst-case [668](#)
 - constraint checkers [678](#)
 - constraints of applied stimulus [668](#)
 - convergence hazard [647](#), [673](#)
 - convergence hazard example [673](#)
 - critical hazard [674](#)
 - critical hazard example [674](#)
 - cumulative ambiguity hazard [647](#), [675](#)
 - cumulative ambiguity hazard examples [675](#)
 - glitch suppression [647](#)
 - glitch suppression due to inertial delay [679](#)
 - glitch suppression examples [679](#)
 - methodology [680](#)

- MIN/MAX delay spread [672](#)
- mixed-signal and all-digital circuits [669](#)
- no combined analog/digital worst-case analysis [669](#)
- pattern-dependent mechanism [668](#)
- reconvergence hazard [677](#)
- reconvergence hazard example [677](#)
- setup [670](#)
- timing ambiguity [670](#)
- timing ambiguity examples [671](#) to [672](#)
- timing hazard example [673](#)
- DIGMNTYMX (simulation option) [670](#)
- DIGMNTYSCALE (simulation option) [389](#)
- DIGOVRDRV (simulation option) [399](#)
- DIGPOWER (I/O model) [395](#)
- DIGTYMXSCALE (simulation option) [389](#)
- diodes, *see* parts
- Display Control dialog box [705](#)
- display modes
 - alternate (plots only) [689](#)
 - default (standard) [689](#)
- displaying bias point values [831](#)
- documentation
 - conventions [22](#)
 - online Design Entry HDL User Guide [26](#)
 - online help [24](#)
 - online PSpice Library List [151](#)
 - example entries [147](#)
 - online PSpice Quick Reference [25](#)
 - online PSpice Reference Guide [25](#)
 - online PSpice User's Guide [23](#)
- documentaton
 - OrCAD Capture User's Guide [25](#)
- DRVH (I/O model parameter) [665](#)
- DRVH (I/O model) [395](#), [398](#)
- DRVL (I/O model parameter) [665](#)
- DRVL (I/O model) [395](#), [398](#)
- DRVZ (I/O model) [395](#)
- DtoA interface, *see* mixed analog/digital circuits

E

- examples and tutorials [675](#)
- "U" device declarations [386](#)
- ABM expression part
 - examples [350](#) to [352](#)
- AC sweep analysis [116](#), [500](#)
- analog waveform analysis [738](#)

PSpice User Guide

- bias point detail analysis [96](#)
- Chebyshev filter and Monte Carlo analysis [594](#)
- Chebyshev filter parts [335](#) to [338](#)
- circuit creation [76](#)
- creating a digital model [405](#) to [??](#), [413](#), [??](#) to [415](#)
- creating AA enabled PSpice model [228](#) to [??](#)
- creating parts using the Model Editor [290](#) to [??](#)
- DC sweep analysis [99](#)
- digital worst-case timing
 - ambiguity [671](#) to [672](#)
- digital worst-case timing reconvergence hazard [677](#)
- EMULT part example [360](#)
- EVALUE part example [359](#)
- Fourier analysis [741](#)
- frequency response vs. arbitrary parameter [523](#)
- FTABLE part example [341](#)
- glitch suppression [679](#)
- glitch suppression,digital worst-case timing [679](#)
- GMULT part example [362](#)
- GVALUE part example [360](#)
- hysteresis curves with transient analysis [560](#)
- Laplace transform [365](#)
- Laplace transform part
 - examples [344](#) to [347](#)
- measurement definition example [804](#)
- measurement definition
 - syntax [817](#) to [818](#)
- measurement expressions [792](#) to [802](#)
- mixed analog/digital waveform analysis [744](#)
- mixed signal oscillator
 - circuit [745](#) to [749](#)
- modeling a triode (ABM) [353](#)
- Monte Carlo analysis [585](#)
- noise analysis [510](#)
- parametric analysis [123](#), [518](#), [523](#)
- performance analysis [134](#), [518](#)
- PSPICETEMPLATE part
 - property [314](#) to [318](#)
- simulations [75](#) to [136](#)
- temperature analysis [741](#)
- transient analysis [108](#) to [??](#), [741](#)
- using the Model Editor [219](#) to [228](#), [236](#)

- using the Stimulus Editor [546](#)
- worst-case analysis [605](#)
- worst-case timing, digital, *see* digital worst-case timing examples
- export
 - waveform data [758](#)
- expressions [162](#)
 - see also* parameters
 - ABM [356](#)
 - functions [164](#) to [167](#)
 - specifying [162](#)
 - waveform analysis [779](#)

F

- file
 - Monte Carlo Parameter (.mcp) [572](#)
- files
 - .cmrk [52](#)
 - .dmap [52](#)
 - .map [52](#)
 - appending waveform files [733](#)
 - circuit (.CIR) [51](#)
 - configuring [55](#)
 - generated by Capture [50](#)
 - generated by PSpice [55](#)
 - include (.INC) [54](#), [244](#), [246](#)
 - limiting data collection [722](#)
 - limiting waveform file size [721](#) to [??](#), [725](#), [739](#)
 - model library (.LIB) [53](#)
 - netlist (.NET) [50](#)
 - output (.OUT) [56](#)
 - Probe windows (.PRB) [705](#) to [707](#)
 - stimulus (.STM, .STL) [54](#), [543](#)
 - user-configurable [53](#)
 - waveform (.DAT) [56](#), [721](#), [733](#)
 - with simulation results [55](#)
- flat netlist
 - creating [444](#)
 - overview [437](#)
- flicker noise [509](#)
- flip-flops
 - initialization options [636](#)
- floating node [185](#)
- FORMAT stimulus property (digital) [629](#)
- Fourier analysis [421](#), [562](#)
 - displaying Fourier transform [741](#)
 - example [741](#)
- FFT (Fast Fourier Transform) [563](#)

PSpice User Guide

fundamental Fourier period [563](#)
introduction [42](#)
print step [562](#)
FREQUENCY output variable [773](#)
functions
 waveform analysis [779](#)

G

GaAsFETs, *see* parts
glitch suppression [647](#), [679](#)
global parameters [158](#) to ??
goal functions, *see* measurements
graph, *see* plot, Probe window, traces,
 waveform analysis
ground
 see also parts [143](#)
 missing [184](#)
 missing DC path to [185](#)
group delay (output variable AC suffix) [774](#)

H

hardware requirements for PSpice
 software [32](#)
help online [24](#)
hierarchical netlist
 creating [444](#)
 customizing [446](#)
 no cross-probing from a subcircuit [441](#)
 overview [438](#)
 SUBPARAM part [441](#)
 VHDL_DECS part [442](#)
histograms [594](#)
how to use the user's guide [22](#)
hysteresis curves [560](#)

I

I/O model [383](#), [385](#), [394](#), [653](#)
 and switching times (TSW) [395](#)
 DIGPOWER [395](#)
 DRVH [395](#)
 DRVL [395](#)
 DRVZ [395](#)
 INLD [394](#)
 INR [395](#)
 OUTLD [394](#)

 parameter summary [396](#)
 TPWRT [392](#), [395](#)
 TSTOREMN [395](#)
IC (property) [846](#)
icon
 in Simulation Manager [466](#) to ??
 push pin [690](#)
imaginary part (output variable AC
 suffix) [774](#)
importing traces [733](#)
include files (.INC)
 configuring [55](#), [243](#)
 with model definitions [246](#)
inductor coupling, *see* parts
inductors
 see also parts
inertial delay [392](#)
initial conditions [842](#), [846](#)
INLD (I/O model) [394](#)
input noise, total [510](#)
INR (I/O model) [395](#)
instance models
 and the Model Editor [216](#)
 changing model references [239](#)
 editing [217](#)
 reusing [240](#)
 saving for global use [217](#)
interface subcircuits [401](#), [652](#), [665](#)
 and I/O models [385](#), [653](#)
 and power supplies [652](#)
 CAPACITANCE [401](#)
 customized [401](#)
 DRVH [401](#)
 DRVL [401](#)
 IO_LEVEL [384](#)
 N device (digital input) [401](#)
 O device (digital output) [401](#)
 syntax [401](#)
IO_LEVEL
 interface subcircuit parameter [384](#)
 part property [319](#)
 stimulus property (digital) [629](#)
IO_MODEL stimulus property (digital) [629](#)

J

JFETs, *see* parts

K

keyboard shortcuts, *see* online PSpice Help

L

Laplace transforms and non-causality [372](#)

large data files [725](#)

 displaying fewer data points [726](#)

 displaying partial trace [726](#)

 threshold [731](#)

 viewing options [726](#)

latches

 initialization options [636](#)

libraries

see also model libraries

 adding to design [77](#)

 cds.lib file [69](#)

 cells [64](#) to [65](#)

 changing from design to global [249](#)

 changing from profile to design [249](#)

 changing from profile to global [249](#)

 components [64](#)

 configuring [243](#)

 Design Entry HDL library

 structure [64](#) to [70](#)

 handling duplicate model names [248](#)

 local (design) libraries in Design Entry

 HDL [68](#)

 model [190](#)

 package [55](#)

 parts (.OLB) [55](#)

 parts and models list

 path name to Design Entry HDL

 libraries [89](#)

 path name to PSpice part libraries [77](#)

 paths to model vs. part libraries [69](#)

 reference libraries in Design Entry

 HDL [66](#)

 search order [247](#), [250](#)

 searching for models [245](#)

 views [64](#) to [65](#)

library list (separate online document) [25](#), [151](#)

 example entries [147](#)

Lite, PSpice A/D product [28](#), [31](#)

loading delay [391](#)

LOCATION part property [308](#)

M

macromodel (subcircuit) [54](#)

magnitude (output variable AC suffix) [774](#)

markers [721](#)

 displaying traces [102](#)

 for limiting waveform data file size [721](#)

 for waveform display [702](#)

 placing on schematic [702](#)

 plot window template markers [718](#)

measurement [519](#)

 expressions [788](#)

 in performance analysis [522](#)

 overview [788](#)

 results [791](#)

 single data point [522](#)

 strategy [789](#)

measurement definition

 creating custom definitions [802](#)

 example [804](#)

 list [799](#)

 selecting and evaluating [790](#)

 syntax [807](#)

 writing a new definition [804](#)

measurement expression

 composing [790](#)

 creating [790](#)

 list of definitions [799](#)

 measurement definition [790](#)

 output variables [790](#)

 setup [790](#)

 Simulation Results view [790](#)

 value in PSpice [791](#)

 viewing in PSpice [791](#)

menu and shortcuts reference [25](#)

menu commands for bias point display [837](#)

messages, simulation [646](#)

mixed analog/digital circuits [405](#), [420](#)

 I/O models [653](#)

 interconnecting analog and digital

 parts [652](#)

 interface subcircuits [319](#), [652](#)

 IO_LEVEL property [319](#)

 power supplies [652](#), [665](#)

 waveform display [744](#), [779](#), [782](#)

MNTYMXDLY

 part property [320](#)

 timing model parameter [384](#)

model and part libraries, *see* library list

Model Editor

PSpice User Guide

- about [49](#), [234](#)
- analyzing model parameter effects [206](#)
- changing
 - .MODEL definitions [235](#)
 - .SUBCKT definitions [235](#)
 - model names [235](#)
- creating AA enabled PSpice model [228](#) to ??
- creating parts [290](#) to ??
- creating parts for models [213](#), [281](#)
 - custom [300](#)
- example [236](#)
- fitting models [207](#)
- from the schematic page editor [215](#)
- starting stand-alone [202](#)
- supported device types [208](#), [211](#)
- testing and verifying models [205](#)
- tutorial [219](#) to [228](#)
- using data sheet information [206](#)
- viewing performance curves [208](#)
- ways to use [201](#)
- model libraries
 - about [53](#), [190](#)
 - adding to the configuration [248](#)
 - analog list of [180](#)
 - configuring [191](#)
 - configuring [55](#), [182](#), [243](#), [246](#)
 - digital list of [181](#)
 - directory search path [252](#)
 - duplicate model names [248](#)
 - for part creation [279](#)
 - global vs. design vs. profile [191](#), [249](#)
 - how PSpice searches them [245](#)
 - nested [192](#)
 - NOM.LIB [193](#)
 - preparing for part creation [279](#)
 - search order [247](#), [250](#)
- model list, *see* library list
- MODEL property [189](#), [306](#)
- models
 - analog behavioral modeling (ABM) [323](#) to [375](#)
 - built-in [36](#)
 - changing associations to parts [239](#)
 - creating parts for
 - custom [300](#)
 - using the Model Editor [213](#), [281](#)
 - creating with the Model Editor [234](#)
 - defined as
 - parameter sets [189](#)
 - subcircuits [189](#), [237](#)

- digital device modeling [377](#) to [413](#)
- digital I/O characteristics [394](#) to [404](#)
- digital timing characteristics [388](#) to [393](#)
- global vs. design vs. profile [191](#)
- instance [216](#), [239](#), [240](#)
- organization [190](#)
- preparing for part creation [279](#)
- saving as design
 - using the Model Editor [215](#)
- testing/verifying (Model Editor-created) [205](#)
- tools to create [197](#)
- ways to create/edit [198](#)
- Monte Carlo
 - History support [568](#)
 - reusing parameter values [570](#)
 - saving parameter values [568](#)
- Monte Carlo analysis [421](#), [578](#) to [601](#)
 - collating functions [575](#)
 - histograms [594](#)
 - introduction [43](#)
 - model parameter values reports [567](#)
 - output control [567](#)
 - tutorial [585](#)
 - using the Model Editor [236](#)
 - waveform reports [574](#)
 - with temperature analysis [576](#)
- Monte Carlo Parameter (.mcp) file [572](#)
- MOSFETs, *see* parts
- moving bias points [836](#)
- multiple y-axes, waveform analysis [521](#)

N

- netlist
 - creating flat [444](#)
 - creating hierarchical [444](#)
 - creating subcircuit format [449](#)
 - creating the netlist [443](#)
 - customizing hierarchical [446](#)
 - failure to netlist [142](#)
 - file (.NET) [50](#)
 - flat, overview [437](#)
 - hierarchical, no subcircuit
 - cross-probing [441](#)
 - hierarchical, overview [438](#)
 - hierarchical, subcircuit limitations [441](#)
 - passing parameters to subcircuits [441](#)
 - PSPICETEMPLATE property [438](#)
 - subcircuit format [449](#)

PSpice User Guide

- templates [438, 449](#)
- Newton-Raphson requirements [848](#)
- node
 - connection [184](#)
 - floating [185](#)
 - interface [652](#)
- noise analysis [420, 505 to 513](#)
 - about [41, 506](#)
 - device noise [506](#)
 - example [510](#)
 - flicker noise [509](#)
 - noise equations [509](#)
 - setup [505, 507](#)
 - shot noise [509](#)
 - thermal noise [509](#)
 - total output and input noise [506](#)
 - units of measure [510](#)
 - viewing results [510](#)
 - viewing simulation results [509](#)
 - waveform analysis output variables [509](#)
- noise units [510](#)
- non AA enabled PSpice models [193](#)
- non-causal [341, 372](#)
- nonlinear devices
 - in AC sweep analysis [502](#)
- NOOUTMSG (simulation option) [648](#)
- NOPRBMSG (simulation option) [648](#)

O

- OFFTIME stimulus property (digital) [628](#)
- online help [24](#)
- online PSpice Advanced Analysis Library List [25](#)
- ONTIME stimulus property (digital) [628](#)
- on-top window display [690](#)
- OPVAL stimulus property (digital) [628](#)
- options
 - DIGERRDEFAULT [648](#)
 - DIGERRLIMIT [648](#)
 - DIGIOLVL [385](#)
 - DIGMNTYMX [670](#)
 - DIGMNTYSYSCALE [389](#)
 - DIGOVRDRV [399](#)
 - DIGTYMXSCALE [389](#)
 - NOOUTMSG [648](#)
 - NOPRBMSG [648](#)
 - RELTOL [374](#)
 - SOLVER [435](#)

- OUTLD (I/O model) [394](#)
- output file (.OUT) [56](#)
 - control parts [821](#)
 - messages [646](#)
 - negative current values [99](#)
 - tables and plots [821](#)
 - viewing from PSpice [98](#)
- output noise, total [509](#)
- output variables [424 to 431](#)
 - arithmetic expressions [779](#)
 - digital signals and buses [782](#)
 - digital trace expression [783](#)
 - noise (waveform analysis) [509](#)
 - selecting [790](#)
 - waveform analysis [768, 782, 783](#)
 - waveform analysis functions [779](#)
- output window [455](#)

P

- PARAM example [519](#)
- Parameterized models [194](#)
- parameterized parts [38, 145](#)
- parameters
 - distribution [39, 146](#)
 - global [158 to 160, ?? to 161](#)
 - interactive simulations [456, ?? to 463](#)
 - optimizable [38, 146](#)
 - passing to subcircuits [441](#)
 - runtime [456, 460 to 463](#)
 - simulations, interactive [456](#)
 - smoke [38, 146](#)
- SUBPARAM [441](#)
- tolerance [38, 39, 146](#)
- parametric analysis [421, 515 to ??, 516 to 525](#)
 - analyzing waveform families [130](#)
 - example [123, 518, 523](#)
 - frequency response vs. arbitrary parameter [523](#)
 - introduction [43, 517](#)
 - minimum circuit requirements [516](#)
 - multi-run analysis [517](#)
 - performance analysis [518, 519, 520, 524](#)
 - setting up [126](#)
 - setting up analysis [516](#)
 - swept variables [516](#)
 - temperature analysis [421, 526 to ??](#)
 - transient analysis requirement [516](#)

PSpice User Guide

- parts
 - pins [321](#)
- part and model libraries, *see* library list
- part wizard
 - using custom parts [300](#)
- parts
 - attaching models to [306](#)
 - behavioral [154](#)
 - bipolar transistors [154](#), [208](#), [211](#), [430](#), [777](#), [778](#)
 - breakout [153](#)
 - capacitors [152](#), [154](#), [428](#)
 - Chebyshev filters [594](#)
 - comparator [209](#)
 - controlled sources [375](#)
 - creating custom parts [213](#)
 - creating for models
 - custom parts [300](#)
 - using the Model Editor [213](#), [281](#)
 - creating new stimulus parts [550](#)
 - current source [428](#)
 - controlled [356](#), [375](#)
 - current-controlled [428](#)
 - DC current source [170](#)
 - voltage-controlled [428](#)
 - Darlington model transistors [208](#)
 - DC voltage source [170](#)
 - digital primitives [379](#), [406](#)
 - digital primitives list ?? to [383](#)
 - digital source [170](#)
 - diodes [208](#), [211](#), [428](#), [777](#)
 - editing graphics [303](#)
 - finding [147](#)
 - GaAsFETs [154](#), [430](#), [776](#), [777](#)
 - grid spacing
 - graphics [304](#)
 - pins [305](#)
 - ground [143](#)
 - IGBTs [154](#), [209](#), [211](#), [430](#), [777](#)
 - imaginary part [774](#)
 - in library lists [144](#)
 - inductor coupling [154](#)
 - inductors [154](#), [428](#)
 - IO_LEVEL property [319](#)
 - JFETs [154](#), [164](#), [165](#), [173](#), [209](#), [211](#), [430](#), [776](#), [778](#)
 - logic propagation delays [635](#)
 - Lossy transmission line TLOSSY [152](#)
 - magnetic core, nonlinear [209](#), [212](#)
 - MNTYMXDLY property [320](#)
 - MODEL property [306](#)
 - models [306](#)
 - MOSFETs [154](#), [430](#), [777](#), [778](#)
 - naming conventions [147](#)
 - non-simulation [311](#)
 - nonlinear magnetic core [209](#), [212](#)
 - opamp (operational amplifier) [209](#), [211](#)
 - output control [144](#), [821](#)
 - PARAM [158](#)
 - passive [152](#)
 - pins [184](#), [305](#), [316](#)
 - power supply [665](#)
 - A/D interfaces [170](#)
 - analog [170](#)
 - custom CD4000 [659](#), [661](#)
 - custom ECL [659](#), [661](#)
 - custom TTL [659](#), [661](#)
 - DC source [170](#)
 - default digital power supply selection [657](#)
 - digital [170](#), [659](#), [661](#)
 - preparing model libraries for part creation [279](#)
 - primitives, digital [406](#)
 - properties for simulation [308](#)
 - PSPICEDEFAULTNET property [321](#)
 - PSPICETEMPLATE property [310](#) to ??
 - real part [775](#)
 - regulator [209](#), [212](#)
 - resistors [152](#), [154](#), [428](#), [778](#)
 - saving as global
 - using the Model Editor [213](#), [281](#)
 - simulation control [144](#)
 - simulation parts [143](#)
 - simulation properties [276](#)
 - stimulus [143](#)
 - switches [778](#)
 - current-controlled [154](#), [429](#)
 - voltage-controlled [154](#), [428](#)
 - transformers [152](#), [154](#)
 - transmission lines [152](#), [153](#), [431](#), [777](#)
 - unmodeled [178](#)
 - voltage comparator [209](#)
 - voltage reference [209](#)
 - voltage regulator [209](#), [212](#)
 - voltage source [428](#)
 - controlled [356](#), [375](#)
 - current-controlled [428](#)
 - voltage-controlled [428](#)
 - ways to create for models [277](#)
 - zero ground (SOURCE.OLB) [80](#)
 - \$G_DGND (reserved global net) [665](#)

PSpice User Guide

\$G_DPWR (reserved global net) [665](#)
ABMn and **ABMn/I** (ABM) [331](#), [349](#)
ABS (ABM) [330](#), [348](#)
AGND (ground) [185](#)
ARCTAN (ABM) [330](#), [348](#)
ATAN (ABM) [330](#), [348](#)
BANDPASS (ABM) [329](#), [337](#)
BANDREJ (ABM) [329](#), [337](#)
BBREAK (GaAsFETs) [154](#)
CBREAK (capacitors) [154](#)
CD4000_PWR (digital power) [171](#)
CD4000_PWR parts (power supply) [659](#)
CONST (ABM) [329](#), [332](#)
CONSTRAINT digital primitive [155](#), [411](#)
COS (ABM) [330](#), [348](#)
CVAR (capacitors) [152](#)
DBREAK (diodes) [154](#)
DIFF (ABM) [329](#), [332](#)
DIFFER (ABM) [330](#), [339](#)
DIGCLOCK (digital stimulus) [176](#)
DIGCLOCK digital stimulus [619](#), [627](#)
DIGIFPWR (digital power) [171](#)
DIGIFPWR (power supply) [659](#), [665](#)
DIGSTIM (digital stimulus) [176](#)
DIGSTIM digital stimulus [620](#)
E (ABM controlled analog source) [375](#)
ECL_100K_PWR (digital power) [171](#)
ECL_100K_PWR (power supply) [659](#)
ECL_10K_PWR (digital power) [171](#)
ECL_10K_PWR (power supply) [659](#)
EFREQ (ABM) [356](#), [366](#)
EGND (ground) [185](#)
ELAPLACE (ABM) [356](#), [364](#)
EMULT (ABM) [356](#), [360](#)
ESUM (ABM) [356](#), [360](#)
ETABLE (ABM) [356](#), [362](#), [363](#)
EVALUE (ABM) [356](#), [358](#), [359](#)
EXP (ABM) [330](#), [348](#)
F (ABM controlled analog source) [375](#)
FILESTIM (digital stimulus) [177](#), [630](#)
FTABLE (ABM) [330](#), [340](#)
G (ABM controlled analog source) [375](#)
GAIN (ABM) [329](#), [332](#)
GFREQ (ABM) [356](#), [366](#)
GLAPLACE (ABM) [356](#), [364](#)
GLIMIT (ABM) [329](#), [333](#)
GMULT (ABM) [356](#), [360](#)
GSUM (ABM) [356](#), [360](#)
GTABLE (ABM) [356](#), [362](#), [363](#)
GVALUE (ABM) [356](#), [358](#), [359](#)
H (ABM controlled analog source) [375](#)
HIPASS (ABM) [329](#), [336](#)
IAC (AC stimulus) [496](#)
ICn (initial condition) [844](#)
ICn (initial conditions) [844](#)
ICn (simulation control) [844](#)
IDC (DC stimulus) [170](#), [479](#)
INTEG (ABM) [330](#), [338](#)
IPLOT (write current plot) [821](#)
IPRINT (write current table) [823](#)
ISRC (analog stimulus) [170](#), [176](#), [479](#), [496](#)
ISTIM (transient stimulus) [174](#)
JBREAK (JFETs) [154](#), [164](#), [165](#), [173](#)
K_LINEAR (transformer) [152](#)
KBREAK (inductor coupling) [154](#)
KCOUPLEn (coupled transmission lines) [153](#)
LAPLACE (ABM) [330](#), [344](#)
LBREAK (inductors) [154](#)
LIMIT (ABM) [329](#), [333](#)
LOG (ABM) [330](#), [348](#)
LOG10 (ABM) [330](#), [348](#)
LOGICEXP digital primitive [155](#)
LOGICEXP primitive [405](#)
LOPASS (ABM) [329](#), [335](#)
MBREAK (MOSFETs) [154](#)
MULT (ABM) [329](#), [332](#)
NODESETn (initial bias point) [844](#)
NODESETn (initial conditions) [844](#)
PINDLY digital primitive [155](#), [405](#)
PRNTDGTLCHG (write digital state changes) [824](#)
PWR (ABM) [330](#), [348](#)
PWRS (ABM) [330](#), [348](#)
QBREAK (bipolar transistors) [154](#)
RBREAK (resistors) [154](#)
RVAR (resistor) [152](#)
SBREAK (voltage-controlled switches) [154](#)
SIN (ABM) [330](#), [348](#)
SOFTLIM (ABM) [329](#), [333](#)
SQRT (ABM) [330](#), [348](#)
STIMn (digital stimulus) [177](#)
STIMn digital stimulus [628](#)
SUM (ABM) [329](#), [332](#)
T (ideal transmission line) [152](#)
TABLE (ABM) [330](#), [339](#)
TAN (ABM) [330](#), [348](#)
TLOSSY (Lossy transmission line) [152](#)

PSpice User Guide

- TnCOUPLEDx (coupled transmission line) [153](#)
- VAC (AC stimulus) [172](#), [495](#)
- VDC (DC stimulus) [170](#), [172](#), [479](#)
- VECTOR (write digital vector file) [825](#)
- VEXP (transient stimulus) [172](#)
- VPLOTn (write voltage plot) [821](#)
- VPRINTn (write voltage table) [823](#)
- VPULSE (transient stimulus) [173](#)
- VPWL (transient stimulus) [173](#)
- VPWL_F_N_TIMES (transient stimulus) [173](#)
- VPWL_F_RE_FOREVER (transient stimulus) [173](#)
- VPWL_N_TIMES (transient stimulus) [173](#)
- VPWL_RE_FOREVER (transient stimulus) [173](#)
- VSFFM (transient stimulus) [173](#)
- VSIN (transient stimulus) [173](#)
- VSRC (analog stimulus) [170](#), [172](#), [176](#), [495](#)
- VSRC stimulus [479](#)
- VSTIM (analog stimulus) [172](#)
- VSTIM (transient stimulus) [174](#)
- VSTIM stimulus part [109](#), [110](#)
- WATCH1 (view output variable) [820](#)
- WBREAK (current-controlled switches) [154](#)
- XFRM_LINEAR (transformer) [152](#)
- XFRM_NONLINEAR (transformer) [154](#)
- ZBREAK (IGBTs) [154](#)
- parts list, *see* library list
- performance analysis [518](#)
 - example [134](#)
 - measurements [519](#)
- performance package solution
 - algorithms [435](#)
- phase (output variable AC suffix) [774](#)
- piecewise linear (PWL) stimulus [546](#), [551](#)
- pins, *see* parts
- plot window template
 - copying [714](#)
 - creating [708](#)
 - deleting [714](#)
 - loading [717](#)
 - modifying [712](#)
 - placing markers in Capture [718](#)
 - restoring [715](#)
 - viewing properties of [716](#)
- plots
 - see also* Probe windows, waveform analysis, traces, markers, plot window templates
 - analog area [687](#)
 - arithmetic expressions for digital traces [782](#)
 - arithmetic functions for traces [779](#)
 - buses, adding [641](#)
 - color [691](#)
 - cursors [758](#) to ??
 - digital area [687](#)
 - digital traces, adding [639](#)
 - export data [758](#)
 - sizing [753](#)
 - templates [708](#) to ??
 - waveform analysis [687](#)
 - y-axes [746](#)
- power supplies, *see* parts, power supply
- printing
 - in color [691](#)
- Probe windows
 - see also* plots, waveform analysis, plot window templates
 - .PRB files [705](#) to [707](#)
 - arithmetic expressions for digital traces [782](#)
 - arithmetic functions for traces [779](#)
 - buses, adding [641](#)
 - color [691](#)
 - configure waveform view
 - digital traces, adding [639](#)
 - display control [705](#)
 - displaying on the schematic page [690](#)
 - exporting data [758](#)
 - making visible at all times [690](#)
 - managing multiple windows [689](#)
 - multiple y-axes [746](#)
 - noise analysis [509](#)
 - plot update methods [754](#)
 - plots [687](#)
 - printing Probe windows [689](#)
 - reusing with different simulations [705](#)
 - saving window contents [705](#)
 - scrolling [752](#)
 - setting colors [691](#)
 - sizing plots [753](#)
 - tabulating trace data values [757](#)
 - traces, displaying [102](#)
 - using cursors [758](#) to [764](#)
 - y-axes [746](#)
 - zoom regions [750](#)

PSpice User Guide

probes, *see* markers
PROFILE_NAME.CIR [51](#)
Project Manager (design project) [85](#)
propagation delay, *see* timing model
PSpice models [193](#)
Pspice online help [24](#)
PSpice products
 Device Equations Developer's Kit (DEDK) [30](#)
 evaluation version (PSpice A/D Lite) [28, 31](#)
 feature comparison [28](#)
 minimum hardware requirements [32](#)
 PSpice A/D [26, 36](#)
 PSpice A/D Lite [28, 31](#)
 student version (PSpice A/D Lite) [28, 31](#)
 using with other programs [47](#)
PSpice Schematics vs. Capture with bias point display [840](#)
PSPICE.INI file, editing [692](#)
PSPICEDEFAULTNET property [321](#)
PSPICETEMPLATE part
 property [310 to 318](#)
 editing [309](#)
 examples [314 to 318](#)
 importance in netlist [438](#)
 naming conventions [312](#)
 pin callout in subcircuits [318](#)
 regular characters [311](#)
 required for simulation [438](#)
 special characters [313](#)
 syntax [311 to ??](#)
push pin button [690](#)
PWL (piecewise linear) stimulus [546, 551](#)

Q

quick reference card (separate online document) [25](#)

R

real part (output variable AC suffix) [775](#)
Reference Guide (separate online document) [25](#)
regular PSpice models [193](#)
RELTOL (simulation option) [374](#)
resistors, *see* parts

ROOT_SCHEMATIC_NAME.NET [51](#)
run data, *see* traces, waveform analysis, output file, output variables, and simulation results
RunFor text box (transient analysis) [458](#)
runtime parameters
 changing original values [460](#)
 list of [460](#)
 SCHEDULE expression syntax [460, 462](#)
 scheduling changes to [461](#)

S

saving data
 as ASCII text [738](#)
 in the CSDF [738](#)
SCHEDULE (expression) [462](#)
schematic
 assign names to off-page connectors [82](#)
 assign names to parts [82](#)
 assign net names [82, 91](#)
 change part values (numbers) [83, 92](#)
 checks for connectivity errors [92](#)
 connect parts [81, 90](#)
 create a design in Design Entry HDL [86](#)
 create a new design project [85](#)
 create a new PSpice project [77](#)
 label nets [82, 91](#)
 label off-page connectors [82](#)
 move text associated with a part [79](#)
 place a ground part, (SOURCE.OLB) [80](#)
 place a part [78, 79, 89, 90](#)
 place a voltage source [77, 88](#)
 place off-page connectors [79](#)
 place the zero ground part [80](#)
 place wires [81, 90](#)
 rotate a part [79](#)
 saving the design [92](#)
 SOURCE.OLB '0' part (ground) [80](#)
 zero ground (GND) part [80](#)
scrolling, Probe windows [752](#)
shortcut keys, *see* online PSpice Help
shot noise [509](#)
simulation
 about [36](#)
 algorithm choices (SOLVER) [435](#)
 analysis

PSpice User Guide

- setup [421](#)
 - simulation profile [421](#)
 - types [420](#)
 - analysis window [455](#)
 - batch jobs [451](#)
 - bias point [842](#)
 - devices window [455](#)
 - digital, *see* digital simulation [615](#) to ??
 - example
 - AC sweep analysis [116](#)
 - bias point analysis [96](#)
 - circuit creation [76](#)
 - DC sweep analysis [99](#)
 - parametric analysis [123](#)
 - performance analysis [134](#)
 - transient analysis [108](#) to ??
 - failure to start [142](#)
 - hazard messages [647](#)
 - initial conditions [842](#), [846](#)
 - interactive [456](#)
 - interrupt and change parameters [460](#)
 - management [465](#) to [472](#)
 - messages [455](#), [646](#)
 - multiple circuit files [451](#)
 - multiple setups in one circuit file [451](#)
 - output file (.OUT) [98](#)
 - part properties [308](#) to [321](#)
 - IO_LEVEL [319](#)
 - MNTYMXDLY [320](#)
 - PSPICEDEFAULTNET [321](#)
 - PSPICETEMPLATE [310](#) to ??
 - pauses vs. stops [457](#)
 - results
 - files [56](#)
 - output file [819](#) to [826](#)
 - using markers [652](#)
 - viewing [471](#)
 - waveforms [637](#) to [642](#), [685](#) to [743](#)
 - runtime parameters [456](#), [460](#) to [463](#)
 - scheduling parameter changes [462](#)
 - scheduling runtime parameter changes [461](#)
 - setup checklist [140](#)
 - solution algorithms (SOLVER) [435](#)
 - starting [437](#)
 - status window [452](#)
 - timing violation messages [646](#)
 - troubleshooting checklist [142](#)
 - variable values log (Analysis window) [455](#)
 - watch variable window [455](#)
- Simulation Manager [465](#) to [472](#)
 - accessing it [466](#)
 - adding a simulation to the queue [470](#)
 - attaching PSpice to a simulation [471](#)
 - error handling [469](#)
 - functionality vs. PSpice product [468](#)
 - icon explanations [466](#) to ??
 - job status explanations [466](#) to [468](#)
 - launching from the Start menu [466](#)
 - multiple simulations, setting up [469](#)
 - overview [465](#) to ??
 - setting options [471](#)
 - starting, stopping, pausing simulations [470](#)
 - simulation models [193](#)
 - Simulation Settings dialog box
 - AC sweep/noise analysis [118](#)
 - bias point analysis [96](#)
 - DC sweep analysis [100](#)
 - parametric analysis [128](#)
 - transient (time domain) analysis [112](#)
 - small-signal DC transfer analysis [40](#), [420](#), [487](#) to [489](#)
 - smoke
 - adding smoke information [254](#)
 - BJT [262](#)
 - Darlington Transistor [273](#)
 - diode [261](#)
 - IGBT [264](#)
 - JFET [266](#)
 - MOSFET [270](#)
 - OPAMP [268](#)
 - parameters [260](#)
 - Voltage Regulator [271](#)
 - solution algorithms (SOLVER) [435](#)
 - SOLVER [435](#)
 - standard PSpice libraries [37](#), [145](#)
 - STARTVAL stimulus property (digital) [628](#)
 - states, digital [397](#), [617](#)
 - statistical analyses, *see* Monte Carlo or sensitivity / worst-case analyses
 - STIMTYPE property [550](#)
 - Stimulus Editor [542](#) to [554](#)
 - about [48](#), [542](#) to ??
 - adjusting trace scale settings [545](#)
 - configuring stimulus files [544](#)
 - creating new stimulus parts [550](#)
 - defining analog stimuli [174](#)
 - defining digital inputs [620](#)
 - defining stimuli [546](#)
 - deleting traces (from graph) [552](#)

PSpice User Guide

- editing a stimulus [551](#)
- example [110](#), [548](#)
- manual stimulus
 - configuration [552](#) to [554](#)
 - PWL stimulus example [546](#)
 - removing traces (from file) [552](#)
 - starting from outside of Capture [552](#)
 - starting in Capture [545](#)
 - stimulus files [543](#), [544](#)
- stimulus files
 - configuring [55](#), [243](#), [544](#)
- stimulus generation [534](#)
 - manually configuring [552](#)
- stimulus, adding
 - AC sweep [495](#)
 - bus transitions (digital) [623](#)
 - clock transitions (digital) [622](#)
 - DC sweep [479](#)
 - for multiple analysis types [175](#)
 - loops (digital) [626](#)
 - signal transitions (digital) [620](#)
 - time-domain voltage [109](#), [110](#)
 - transient (analog/mixed-signal) [534](#)
 - transient (digital) [619](#)
- subcircuits [189](#)
 - analog/digital interface [652](#)
 - creating .SUBCKT definitions from designs [197](#)
 - creating .SUBCKT definitions from schematics [237](#)
 - netlist [54](#), [449](#)
 - no Probe markers in hierarchical netlist [441](#)
 - passing parameters to, SUBPARAM [441](#)
 - tools to create [197](#)
 - ways to create/edit [198](#)
 - see also* models
- SUBPARAM part [441](#)
- switches
 - see also* parts
- syntax
 - ABM [357](#)
 - digital primitives [384](#), [384](#) to ??
 - measurement definition [807](#)
 - comments [809](#)
 - example [817](#) to [818](#)
 - marked point expressions [810](#)
 - names [809](#)
 - search command [811](#)
 - PSPICETEMPLATE [311](#) to ??

- SCHEDULE expression [462](#)
 - see also* online Reference Guide

T

- temperature analysis [421](#), [526](#) to [528](#)
 - default temperature [528](#)
 - example [741](#)
 - introduction [43](#), [527](#)
 - setting up analysis [526](#)
 - with statistical analyses [576](#)
- template
 - ABM parts [328](#)
 - netlisting [438](#)
 - part editor [357](#), [361](#)
 - plot window [708](#) to [720](#)
- TEMPLATE property
 - and non-simulation parts [311](#)
- template-based PSpice models [194](#)
- test node mapping [260](#)
- test vector file [825](#)
- thermal noise [509](#)
- TIME (Probe output variable) [773](#)
- time domain analysis, *see* transient analysis
- TIMESTEP stimulus property (digital) [629](#)
- timing model [383](#), [384](#), [388](#)
 - hold times (TH) [388](#)
 - inertial delay [392](#)
 - loading delay [391](#)
 - propagation delays [388](#), [635](#)
 - calculation [391](#)
 - DIGMNTYSCALE [389](#)
 - DIGTYMXSCALE [389](#)
 - MNTYMXDLY [320](#), [384](#)
 - unspecified [389](#)
- pulse widths (TW) [388](#)
- setup times (TSU) [388](#)
- switching times (TSW) [388](#)
- transport delay [393](#)
 - unspecified timing constraints [390](#)

- timing violations and hazards
- convergence [647](#)
- cumulative ambiguity [647](#)
- persistent hazards [644](#)
- toggle a specific current bias display [839](#)
- toggle a specific voltage bias display [839](#), [840](#)
- toolbar controls for bias point display [838](#)
- total noise [506](#)
- TPWRT (I/O model) [392](#), [395](#)

PSpice User Guide

trace color schemes [694](#)

traces

see also output variables, plots, Probe windows, and waveform analysis

adding [56](#), [102](#), [736](#), [768](#)

appending [733](#)

arithmetic expressions [779](#), [782](#)

deleting from graph [552](#)

direct manipulation [750](#)

displaying [102](#), [114](#)

importing [733](#)

markers [721](#)

output variables [768](#)

placing a cursor on [103](#)

removing from file [552](#)

source data for a specific trace [737](#)

transformers

see also parts

transient analysis [420](#), [531](#) to [563](#)

analog [532](#) to [563](#)

bias point solution [853](#)

convergence problems [848](#)

digital [420](#), [633](#)

example [108](#) to [114](#), [741](#)

extending runtime [457](#) to [459](#)

Fourier analysis [421](#)

FTABLE DELAY property [341](#)

hysteresis curves [560](#)

internal time steps [558](#)

introduction [42](#), [532](#)

Maximum Time Step [558](#)

minimum requirements [532](#)

pausing at TSTOP [458](#)

print step [558](#)

response [554](#) to [557](#)

RunFor text box [458](#)

runtime parameters [461](#)

setting up [112](#), [533](#), [554](#)

Stimulus Editor [542](#) to ??

stimulus generation [534](#)

switching circuits [559](#)

TIME (sweep variable) [773](#)

time step analog vs. digital [558](#)

transient (time) response [554](#) to [557](#)

TSTOP [457](#), [458](#)

transistors

see parts, bipolar transistors

see parts, GaAsFETs

see parts, JFETs

see parts, MOSFETs

transmission lines, *see* parts

transport delay [393](#)

triode example [353](#)

troubleshooting

checklist [142](#)

missing DC path to ground [185](#)

missing ground [184](#)

performance analysis [522](#)

unconfigured libraries and files [182](#)

unmodeled parts [178](#)

unmodeled pins [184](#)

TSTOP [457](#)

extending a transient analysis [458](#),
?? to [459](#)

TSTOREMN (I/O model) [395](#)

TTL [665](#)

U

unmodeled

parts [178](#)

pins [184](#)

updating bias point values [836](#)

V

vector file [825](#)

VHDL_DECS part [442](#)

voltage bias points [839](#), [840](#)

voltage sources

negative current values [99](#)

see also parts

W

waveform analysis

about [45](#)

add markers in Capture [119](#)

configuring update intervals [699](#)

cursors [758](#) to ??

digital display name [783](#)

digital signals and buses [782](#)

displaying simulation results [101](#), [120](#)

expressions, arithmetic

expressions [779](#)

functions [779](#)

hysteresis curves [560](#)

interacting with waveform during

simulation [700](#)

- limiting waveform data file size [721](#)
- markers [702](#)
- messages [646](#)
- monitor results during simulation [699](#)
- multiple y-axes [521](#)
- output variables [768](#), [782](#)
 - for noise [509](#)
- overview [686](#)
- performance analysis [134](#), [518](#)
- placing a cursor on a trace [103](#)
- plot [687](#)
- printing Probe windows [689](#)
- setting colors [691](#)
- traces
 - adding [56](#), [102](#), [639](#), [736](#), [768](#)
 - deleting from graph [552](#)
 - displaying [750](#)
 - source data for a specific trace [737](#)
 - tabulating data values [757](#)
 - using output variables [768](#)
- viewing waveform of paused simulation [701](#)
- waveform data file formats [55](#), [738](#)
- waveform families [130](#), [482](#)
- y-axes [746](#)
- What is bias point display? [829](#)
- WIDTH stimulus property (digital) [628](#)
- worst-case analysis [421](#), [602](#) to [614](#)
 - collating functions [575](#)
 - example [605](#)
 - hints [610](#)
 - introduction [43](#)
 - model parameter values reports [567](#)
 - output control [567](#)
 - overview [602](#)
 - timing, digital [667](#) to [682](#)
 - waveform reports [574](#)
 - with temperature analysis [576](#)
- worst-case timing analysis,
 - digital [667](#) to [682](#)

Y

- y-axis
 - adding a second y-axis [746](#)

Z

- zoom regions, Probe windows [750](#)

PSpice User Guide
